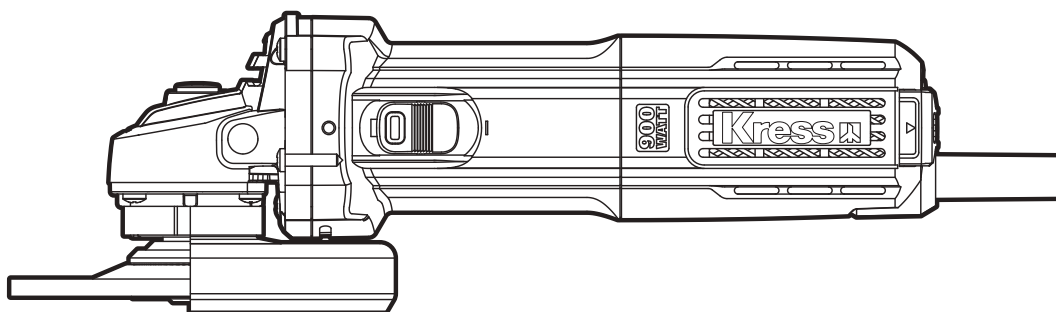
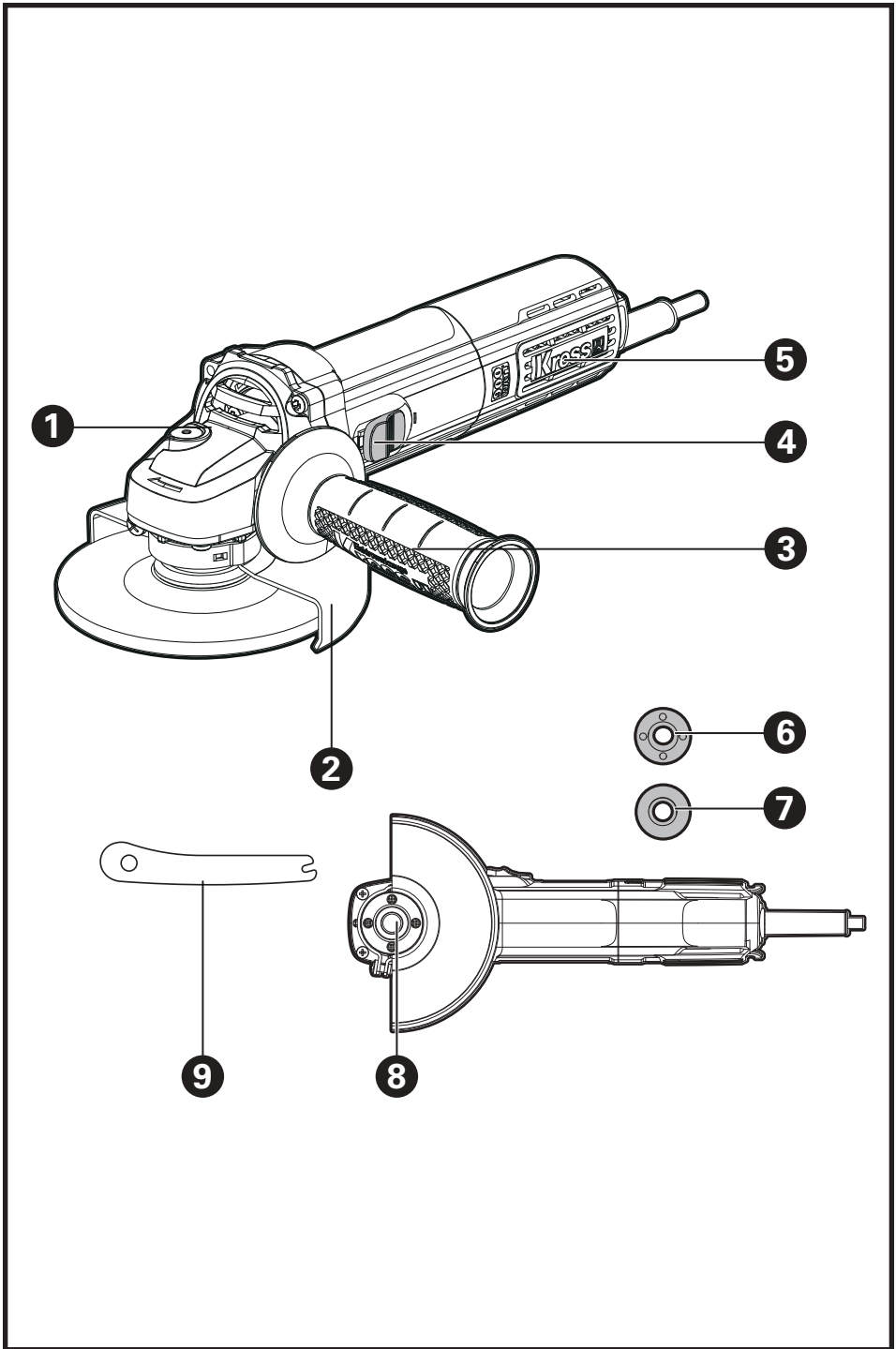


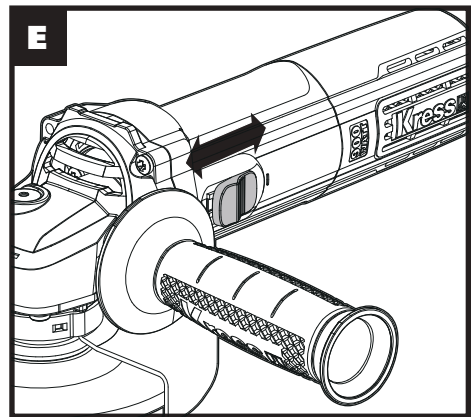
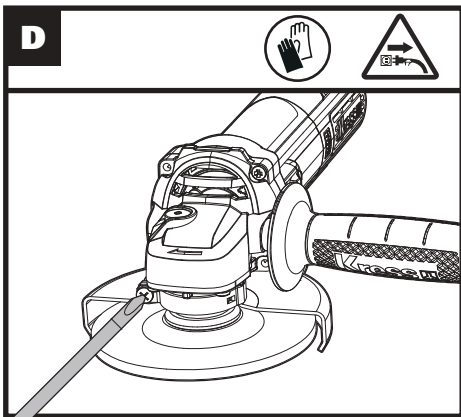
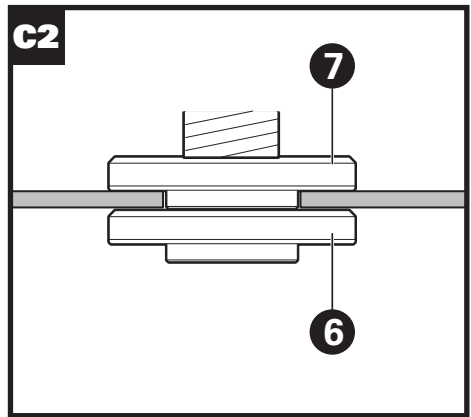
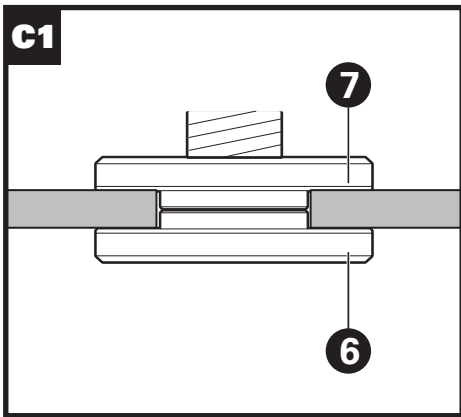
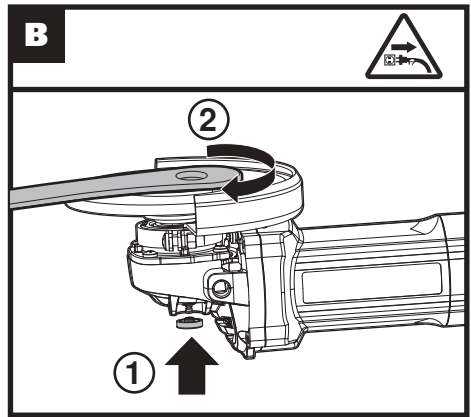
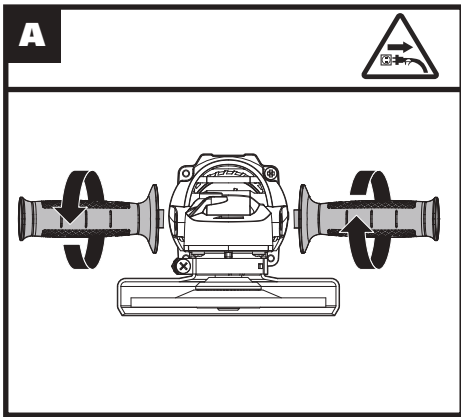
Kress

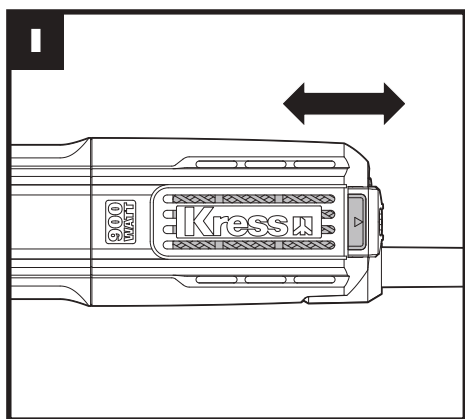
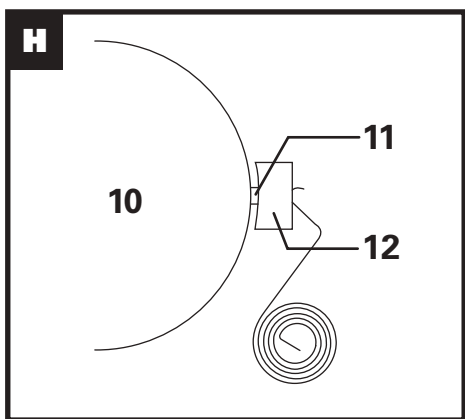
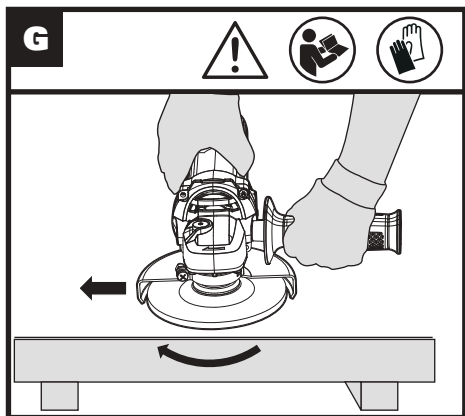
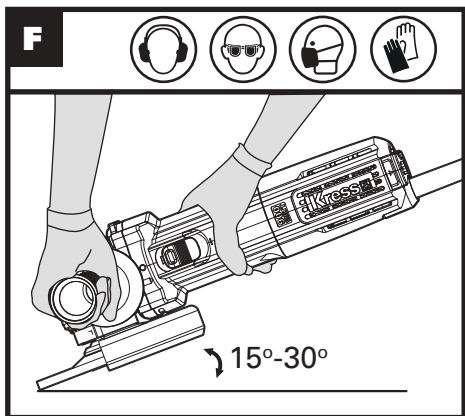


Angle grinder	EN	P05
Winkelschleifer	DE	P11
Meuleuse d'angle	FR	P18
Smerigliatrice angolare	IT	P25
Amoladora Angular	ES	P32
Rebarbadora Angular	PT	P39
Haakse slijpmachine	NL	P46
Угловая шлифовальная машина	RU	P53
Szlifierka kątowa	PL	P61
Vinkelsliber	DK	P68
Vinkelslip	SV	P74

KUS10P KUS05P








ORIGINAL INSTRUCTIONS

GENERAL POWER TOOL

SAFETY WARNINGS

 **WARNING** Read all safety warnings and all instructions. Failure to follow the warnings and instructions may result in electric shock, fire and/or serious injury.

Save all warnings and instructions for future reference.

The term "power tool" in the warnings refers to your mains-operated (corded) power tool or battery-operated (cordless) power tool.

1) Work area safety

- a) **Keep work area clean and well lit.** Cluttered or dark areas invite accidents.
- b) **Do not operate power tools in explosive atmospheres, such as in the presence of flammable liquids, gases or dust.** Power tools create sparks which may ignite the dust or fumes.
- c) **Keep children and bystanders away while operating a power tool.** Distractions can cause you to lose control.

2) Electrical safety

- a) **Power tool plugs must match the outlet. Never modify the plug in any way. Do not use any adapter plugs with earthed (grounded) power tools.** Unmodified plugs and matching outlets will reduce risk of electric shock.
- b) **Avoid body contact with earthed or grounded surfaces, such as pipes, radiators, ranges and refrigerators.** There is an increased risk of electric shock if your body is earthed or grounded.
- c) **Do not expose power tools to rain or wet conditions.** Water entering a power tool will increase the risk of electric shock.
- d) **Do not abuse the cord. Never use the cord for carrying, pulling or unplugging the power tool. Keep cord away from heat, oil, sharp edges or moving parts.** Damaged or entangled cords increase the risk of electric shock.
- e) **When operating a power tool outdoors, use an extension cord suitable for outdoor use.** Use of a cord suitable for outdoor use reduces the risk of electric shock.
- f) **If operating a power tool in a damp location is unavoidable, use a residual current device (RCD) protected supply.** Use of an RCD reduces the risk of electric shock.

3) Personal safety

- a) **Stay alert, watch what you are doing and use common sense when operating a power tool. Do not use a power tool while you are tired or under the influence of drugs, alcohol or medication.** A moment of inattention while operating power tools may result in serious personal injury.
- b) **Use personal protective equipment.**

Always wear eye protection. Protective equipment such as dust mask, non-skid safety shoes, hard hat, or hearing protection used for appropriate conditions will reduce personal injuries.

- c) **Prevent unintentional starting. Ensure the switch is in the off-position before connecting to power source and/or battery pack, picking up or carrying the tool.** Carrying power tools with your finger on the switch or energising power tools that have the switch on invites accidents.
 - d) **Remove any adjusting key or wrench before turning the power tool on.** A wrench or a key left attached to a rotating part of the power tool may result in personal injury.
 - e) **Do not overreach. Keep proper footing and balance at all times.** This enables better control of the power tool in unexpected situations.
 - f) **Dress properly. Do not wear loose clothing or jewellery. Keep your hair, clothing and gloves away from moving parts.** Loose clothes, jewellery or long hair can be caught in moving parts.
 - g) **If devices are provided for the connection of dust extraction and collection facilities, ensure these are connected and properly used.** Use of dust collection can reduce dust-related hazards.
-
- 4) **Power tool use and care**
 - a) **Do not force the power tool. Use the correct power tool for your application.** The correct power tool will do the job better and safer at the rate for which it was designed.
 - b) **Do not use the power tool if the switch does not turn it on and off.** Any power tool that cannot be controlled with the switch is dangerous and must be repaired.
 - c) **Disconnect the plug from the power source and/or the battery pack from the power tool before making any adjustments, changing accessories, or storing power tools.** Such preventive safety measures reduce the risk of starting the power tool accidentally.
 - d) **Store idle power tools out of the reach of children and do not allow persons unfamiliar with the power tool or these instructions to operate the power tool.** Power tools are dangerous in the hands of untrained users.
 - e) **Maintain power tools. Check for misalignment or binding of moving parts, breakage of parts and any other condition that may affect the power tool's operation. If damaged, have the power tool repaired before use.** Many accidents are caused by poorly maintained power tools.
 - f) **Keep cutting tools sharp and clean.** Properly maintained cutting tools with sharp cutting edges are less likely to bind and are easier to control.
 - g) **Use the power tool, accessories and tool bits etc. in accordance with these instructions, taking into account the**

working conditions and the work to be performed. Use of the power tool for operations different from those intended could result in a hazardous situation.

5) Service

- a) **Have your power tool serviced by a qualified repair person using only identical replacement parts.** This will ensure that the safety of the power tool is maintained.

SAFETY INSTRUCTIONS FOR ALL OPERATIONS:

Safety Warnings Common for Grinding or Abrasive Cutting-Off Operations:

- a) **This power tool is intended to function as a grinder or cut-off tool. Read all safety warnings, instructions, illustrations and specifications provided with this power tool.** Failure to follow all instructions listed below may result in electric shock, fire and/or serious injury.
- b) **Operations such as sanding, wire brushing, polishing are not recommended to be performed with this power tool.** Operations for which the power tool was not designed may create a hazard and cause personal injury.
- c) **Do not use accessories which are not specifically designed and recommended by the tool manufacturer.** Just because the accessory can be attached to your power tool, it does not assure safe operation.
- d) **The rated speed of the accessory must be at least equal to the maximum speed marked on the power tool.** Accessories running faster than their rated speed can break and fly apart.
- e) **The outside diameter and the thickness of your accessory must be within the capacity rating of your power tool.** Incorrectly sized accessories cannot be adequately guarded or controlled.
- f) **Threaded mounting of accessories must match the grinder spindle thread. For accessories mounted by flanges, the arbour hole of the accessory must fit the locating diameter of the flange.** Accessories that do not match the mounting hardware of the power tool will run out of balance, vibrate excessively and may cause loss of control.
- g) **Do not use a damaged accessory. Before each use inspect the accessory such as abrasive wheels for chips and cracks, backing pad for cracks, tear or excess wear, wire brush for loose or cracked wires. If power tool or accessory is dropped, inspect for damage or install an undamaged accessory. After inspecting and installing an accessory, position yourself and bystanders away from the plane of the rotating accessory and run the power tool at maximum no-load speed for one minute.** Damaged accessories will

normally break apart during this test time.

- h) **Wear personal protective equipment. Depending on application, use face shield, safety goggles or safety glasses. As appropriate, wear dust mask, hearing protectors, gloves and workshop apron capable of stopping small abrasive or workpiece fragments.** The eye protection must be capable of stopping flying debris generated by various operations. The dust mask or respirator must be capable of filtrating particles generated by your operation. Prolonged exposure to high intensity noise may cause hearing loss.
- i) **Keep bystanders a safe distance away from work area. Anyone entering the work area must wear personal protective equipment.** Fragments of workpiece or of a broken accessory may fly away and cause injury beyond immediate area of operation.
- j) **Hold the power tool by insulated gripping surfaces only, when performing an operation where the cutting accessory may contact hidden wiring or its own cord.** Cutting accessory contacting a "live" wire may make exposed metal parts of the power tool "live" and could give the operator an electric shock.
- k) **Position the cord clear of the spinning accessory.** If you lose control, the cord may be cut or snagged and your hand or arm may be pulled into the spinning accessory.
- l) **Never lay the power tool down until the accessory has come to a complete stop.** The spinning accessory may grab the surface and pull the power tool out of your control.
- m) **Do not run the power tool while carrying it at your side.** Accidental contact with the spinning accessory could snag your clothing, pulling the accessory into your body.
- n) **Regularly clean the power tool's air vents.** The motor's fan will draw the dust inside the housing and excessive accumulation of powdered metal may cause electrical hazards.
- o) **Do not operate the power tool near flammable materials.** Sparks could ignite these materials.
- p) **Do not use accessories that require liquid coolants.** Using water or other liquid coolants may result in electrocution or shock.
- q) Your hand must hold on the handle when you are working. Always use the auxiliary handles supplied with the tool. Loss of control can cause personal injury

FURTHER SAFETY INSTRUCTIONS FOR ALL OPERATIONS

Kickback and Related Warnings

Kickback is a sudden reaction to a pinched or snagged rotating wheel, backing pad, brush or any other accessory. Pinching or snagging causes rapid stalling of the rotating accessory which in turn causes the uncontrolled power tool to be forced in the direction opposite of the accessory's rotation at the point of the binding.

For example, if an abrasive wheel is snagged or pinched by the workpiece, the edge of the wheel that is entering into the pinch point can dig into the surface of the material causing the wheel to climb out or kick out. The wheel may either jump toward or away from the operator, depending on direction of the wheel's movement at the point of pinching. Abrasive wheels may also break under these conditions. Kickback is the result of power tool misuse and/or incorrect operating procedures or conditions and can be avoided by taking proper precautions as given below.

- a) **Maintain a firm grip on the power tool and position your body and arm to allow you to resist kickback forces. Always use auxiliary handle, if provided, for maximum control over kickback or torque reaction during start-up.** *The operator can control torque reactions or kickback forces, if proper precautions are taken.*
- b) **Never place your hand near the rotating accessory.** *Accessory may kickback over your hand.*
- c) **Do not position your body in the area where power tool will move if kickback occurs.** *Kickback will propel the tool in direction opposite to the wheel's movement at the point of snagging.*
- d) **Use special care when working corners, sharp edges etc. Avoid bouncing and snagging the accessory.** *Corners, sharp edges or bouncing have a tendency to snag the rotating accessory and cause loss of control or kickback.*
- e) **Do not attach a saw chain woodcarving blade or toothed saw blade.** *Such blades create frequent kickback and loss of control.*

SAFETY WARNINGS SPECIFIC FOR GRINDING AND ABRASIVE CUTTING-OFF OPERATIONS:

- a) **Use only wheel types that are recommended for your power tool and the specific guard designed for the selected wheel.** *Wheels for which the power tool was not designed cannot be adequately guarded and are unsafe.*
- b) **The grinding surface of centre depressed wheels must be mounted below the plane of the guard lip.** *An improperly mounted wheel that projects through the plane of the guard lip cannot be adequately protected.*
- c) **The guard must be securely attached to the power tool and positioned for maximum safety, so the least amount of wheel is exposed towards the operator.** *The guard helps to protect operator from broken wheel fragments and accidental contact with wheel and sparks that could ignite clothing.*
- d) **Wheels must be used only for recommended applications. For example:**

do not grind with the side of cut-off wheel. *Abrasive cut-off wheels are intended for peripheral grinding, side forces applied to these wheels may cause them to shatter.*










- e) **Always use undamaged wheel flanges that are of correct size and shape for your selected wheel.** *Proper wheel flanges support the wheel thus reducing the possibility of wheel breakage. Flanges for cut-off wheels may be different from grinding wheel flanges.*
- f) **Do not use worn down wheels from larger power tools.** *Wheel intended for larger power tool is not suitable for the higher speed of a smaller tool and may burst.*

ADDITIONAL SAFETY INSTRUCTIONS FOR CUTTING-OFF OPERATIONS

Additional Safety Warnings Specific for Abrasive Cutting-Off Operations:

- a) **Do not "jam" the cut-off wheel or apply excessive pressure. Do not attempt to make an excessive depth of cut.** *Overstressing the wheel increases the loading and susceptibility to twisting or binding of the wheel in the cut and the possibility of kickback or wheel breakage.*
- b) **Do not position your body in line with and behind the rotating wheel.** *When the wheel, at the point of operation, is moving away from your body, the possible kickback may propel the spinning wheel and the power tool directly at you.*
- c) **When wheel is binding or when interrupting a cut for any reason, switch off the power tool and hold the power tool motionless until the wheel comes to a complete stop. Never attempt to remove the cut-off wheel from the cut while the wheel is in motion otherwise kickback may occur.** *Investigate and take corrective action to eliminate the cause of wheel binding.*
- d) **Do not restart the cutting operation in the workpiece. Let the wheel reach full speed and carefully re-enter the cut.** *The wheel may bind, walk up or kickback if the power tool is restarted in the workpiece.*
- e) **Support panels or any oversized workpiece to minimize the risk of wheel pinching and kickback.** *Large workpieces tend to sag under their own weight. Supports must be placed under the workpiece near the line of cut and near the edge of the workpiece on both sides of the wheel.*
- f) **Use extra caution when making a "pocket cut" into existing walls or other blind areas.** *The protruding wheel may cut gas or water pipes, electrical wiring or objects that can cause kickback.*

SYMBOLS

	To reduce the risk of injury, user must read instruction manual
	Double insulation
	Warning
	Wear ear protection
	Wear eye protection
	Wear dust mask
	Wear protective gloves
	Before any work on the machine itself, pull the mains plug from the socket outlet.
	Waste electrical products must not be disposed of with household waste. Please recycle where facilities exist. Check with your local authorities or retailer for recycling advice.

COMPONENT LIST

1. SPINDLE LOCK BUTTON
2. WHEEL GUARD FOR GRINDING
3. AUXILIARY HANDLE
4. ON/OFF SWITCH
5. AIR FILTER
6. OUTER FLANGE
7. INNER FLANGE
8. SPINDLE
9. SPANNER

Not all the accessories illustrated or described are included in standard delivery.

TECHNICAL DATA

Type Designation: KUS10P KUS05P (S10P/ S05P-designation of machinery, representative of Angle Grinder)

	KUS10P	KUS05P
Rated voltage	230-240V~50Hz	
Rated power	900W	
Rated speed	11000/min	
Protection class	□/II	
Spindle thread	M14	
Disc size	125mm	115mm
Disc bore	22.2mm	
Machine weight	1.5kg	

ACCESSORIES

Spanner	1
Auxiliary handle	1
Wheel guard for grinding	1

We recommend that you purchase your accessories listed in the above list from the same store that sold you the tool. Refer to the accessory packaging for further details. Store personnel can assist you and offer advice.

NOISE INFORMATION

A weighted sound pressure $L_{pA} = 94,3$ dB(A)

A weighted sound power $L_{wA} = 105,3$ dB(A)

$K_{pA} \& K_{wA}$ 3 dB(A)

Wear ear protection.



VIBRATION INFORMATION

Vibration total values (triax vector sum) determined according to EN 60745:

Surface grinding	Vibration emission value $a_{h,AG} = 8,14$ m/s ²
	Uncertainty K = 1.5 m/s ²

– The declared vibration total value has been measured in accordance with a standard test method and may be

used for comparing one tool with another;
 – The declared vibration total value may also be used in a preliminary assessment of exposure.

WARNING: The vibration emission value during actual use of the power tool can differ from the declared value depending on the ways in which the tool is used dependant on the following examples and other variations on how the tool is used:
 How the tool is used and the materials being cut.
 The tool being in good condition and well maintained
 The use the correct accessory for the tool and ensuring it is sharp and in good condition.
 The tightness of the grip on the handles and if any anti vibration accessories are used.
 And the tool is being used as intended by its design and these instructions.

This tool may cause hand-arm vibration syndrome if its use is not adequately managed

WARNING: To be accurate, an estimation of exposure level in the actual conditions of use should also take account of all parts of the operating cycle such as the times when the tool is switched off and when it is running idle but not actually doing the job. This may significantly reduce the exposure level over the total working period.
 Helping to minimise your vibration exposure risk.
 Maintain this tool in accordance with these instructions and keep well lubricated (where appropriate)
 If the tool is to be used regularly then invest in anti vibration accessories.
 Plan your work schedule to spread any high vibration tool use across a number of days.

OPERATING INSTRUCTIONS

NOTE: Before using the tool, read the instruction book carefully.

INTENDED USE

The machine is intended for cutting, roughing and brushing metal and stone materials without using water. For cutting metal, a special protection guard for cutting (accessory) must be used.

ASSEMBLY AND OPERATION

ACTION	FIGURE
ASSEMBLY	
Assembling the auxiliary handle Warning! Always use the auxiliary handle when operating the machine.	See Fig. A
Assembling the grinding/cutting disc	See Fig. B
Adjusting the outer flange clamping	See Fig. C1, C2

Adjusting the wheel guard Note: Before any work on the machine itself, pull the mains plug. For work with grinding or cutting discs, the wheel guard must be mounted. Place the guard in the groove on the spindle collar and rotates to the required working position. Clamp the guard with the screw. The grinding disc must be rotate freely within the guard. The closed side of the wheel guard must always point to the operator.	See Fig. D
OPERATION	
Using On/Off Switch	See Fig. E
Hand Grip Areas	See Fig. F
Rough Grinding Warning! Never use a cutting disc for roughing.	
Cutting Warning! For cutting metal, always work with the wheel guard for cutting.	See Fig. G
Auto-Stop Carbon Brushes Note: When the resin insulating tip (11) inside the carbon brush (12) is exposed to contact the commutator (10), it will automatically shut off the motor. When this occurs, both carbon brushes should be replaced. Keep the carbon brushes clean and free to slip in the holders. Both carbon brushes should be replaced at the same time. Use only identical carbon brushes.	See Fig. H
Cleaning The Air Filter Regularly Note: The air filter needs to be cleaned after using the machine for a while.	See Fig. I

WORKING HINTS FOR YOUR ANGLE GRINDER

If your power tool becomes too hot, run no load for 2-3 minutes to cool the motor.
 Never start your angle grinder with the disc/ accessory in contact with the workpiece.
 Always start at no load to achieve maximum speed then start working.
 Do not force the disc to work faster, reducing the Disc's moving speed means longer working time.
 When grinding, always work with a 15° to 30° angle between disc and workpiece. Larger angles will cut ridges into the workpiece and affect the surface finish.
 Move the angle grinder across and back and forth over the workpiece.
 When using a cutting disc never change the cutting angle otherwise you will stall the disc and angle


grinder motor or break the disc.
 When cutting, only cut in the opposite direction to the disc rotation. If you cut in the same direction as the disc rotation the disc may push itself out of the cut slot.
 When cutting very hard material best results can be achieved with a diamond disc.
 When using a diamond disc it will become very hot. If this happens you will see a full ring of sparks around the rotating disc. Stop cutting and allow to cool at no load speed for 2-3 minutes.
 Always ensure the workpiece is firmly held or clamped to prevent movement.

MAINTENANCE

Remove the plug from the socket before carrying out any adjustment, servicing or maintenance.

Your power tool requires no additional lubrication or maintenance.
 There are no user serviceable parts in your power tool. Never use water or chemical cleaners to clean your power tool. Wipe clean with a dry cloth. Always store your power tool in a dry place. Keep the motor ventilation slots clean. Keep all working controls free of dust. Occasionally you may see sparks through the ventilation slots. This is normal and will not damage your power tool.
 If the supply cord is damaged, it must be replaced by the manufacturer, its service agent or similarly qualified persons in order to avoid a hazard.

ENVIRONMENTAL PROTECTION

 Waste electrical products must not be disposed of with household waste. Please recycle where facilities exist. Check with your local authorities or retailer for recycling advice.

PLUG REPLACEMENT (ONLY FOR REWIRABLE PLUG OF UK & IRELAND)

If you need to replace the fitted plug then follow the instructions below.

IMPORTANT

The wires in the mains lead are colored in accordance with the following code:

Blue = Neutral
Brown = Live

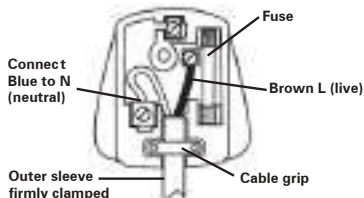
As the colors of the wires in the mains lead of this appliance may not correspond with the colored markings identifying the terminals in your plug, proceed as follows. The wire which is colored blue must be connected to the terminal which is marked with N. The wire which is colored brown must be connected to the terminal which is marked with L.

Warning!

Never connect live or neutral wires to the earth

terminal of the plug. Only fit an approved BS1363/A plug and the correct rated current fuse which is used in the plug.

Note: If a moulded plug is fitted and has to be removed take great care in disposing of the plug and severed cable, it must be destroyed to prevent engaging into a socket.



DECLARATION OF CONFORMITY

We,
 POSITEC Germany GmbH
 Postfach 32 02 16, 50796 Cologne, Germany

Declare that the product
 Description **Angle Grinder**
 Type **KUS10P KUS05P (S10P/S05P-designation of machinery, representative of Angle Grinder)**
 Function **peripheral and lateral grinding**

Complies with the following Directives:
2006/42/EC
2011/65/EU&[EU]2015/863
2014/30/EU

Standards conform to
EN 55014-1
EN 55014-2
EN IEC 61000-3-2
EN 61000-3-3
EN 60745-1
EN 60745-2-3

The person authorized to compile the technical file,
Name Marcel Filz
Address Positec Germany GmbH
Postfach 32 02 16, 50796 Cologne, Germany



2022/06/22
 Allen Ding
 Deputy Chief Engineer, Testing & Certification
 Positec Technology (China) Co., Ltd
 18, Dongwang Road, Suzhou Industrial Park, Jiangsu 215123, P. R. China

ORIGINALBETRIEBSANLEITUNG

ALLGEMEINE SICHERHEITSHINWEISE FÜR ELEKTROWERKZEUGE

! WARNUNG Lesen Sie alle Sicherheitshinweise und Anweisungen.
Versäumnisse bei der Einhaltung der Sicherheitshinweise und Anweisungen können elektrischen Schlag, Brand und/oder schwere Verletzungen verursachen.

Bewahren Sie alle Sicherheitshinweise und Anweisungen für die Zukunft auf.

Der in den Sicherheitshinweisen verwendete Begriff „Elektrowerkzeug“ bezieht sich auf akkubetriebene Elektrowerkzeuge (ohne Netzkabel).

1) Arbeitsplatzsicherheit

- a) **Halten Sie Ihren Arbeitsbereich sauber und gut beleuchtet.** Unordnung oder unbeleuchtete Arbeitsbereiche können zu Unfällen führen.
- b) **Arbeiten Sie mit dem Elektrowerkzeug nicht in explosionsgefährdeter Umgebung, in der sich brennbare Flüssigkeiten, Gase oder Stäube befinden.** Elektrowerkzeuge erzeugen Funken, die den Staub oder die Dämpfe entzünden können.
- c) **Halten Sie Kinder und andere Personen während der Benutzung des Elektrowerkzeugs fern.** Bei Ablenkung können Sie die Kontrolle über das Gerät verlieren.

2) Elektrische Sicherheit

- a) **Der Anschlussstecker des Elektrowerkzeuges muss in die Steckdose passen. Der Stecker darf in keiner Weise verändert werden. Verwenden Sie keine Adapterstecker gemeinsam mit schutzgeerdeten Elektrowerkzeugen.** Unveränderte Stecker und passende Steckdosen verringern das Risiko eines elektrischen Schlages.
 - b) **Vermeiden Sie Körperkontakt mit geerdeten Oberflächen wie von Rohren, Heizungen, Herden und Kühlschränken.** Es besteht ein erhöhtes Risiko durch elektrischen Schlag, wenn Ihr Körper geerdet ist.
 - c) **Halten Sie Elektrowerkzeuge von Regen oder Nässe fern.** Das Eindringen von Wasser in ein Elektrowerkzeug erhöht das Risiko eines elektrischen Schlages.
 - d) **Zweckentfremden Sie das Kabel nicht, um das Elektrowerkzeug zu tragen, aufzuhängen oder um den Stecker aus der Steckdose zu ziehen. Halten Sie das Kabel fern von Hitze, Öl, scharfen Kanten oder sich bewegenden Geräteteilen.** Beschädigte oder verwickelte Kabel erhöhen das Risiko eines elektrischen Schlages.
 - e) **Wenn Sie mit einem Elektrowerkzeug im Freien arbeiten, verwenden Sie nur Verlängerungskabel, die auch für den Außenbereich geeignet sind.** Die Anwendung eines für den Außenbereich geeigneten Verlängerungskabels verringert das Risiko eines elektrischen Schlages.
- f) **Wenn der Betrieb des Elektrowerkzeuges in feuchter Umgebung nicht vermeidbar ist, verwenden Sie einen Fehlerstromschutzschalter.** Der Einsatz eines Fehlerstromschutzschalters vermindert das Risiko eines elektrischen Schlages.
- ### 3) Sicherheit von Personen
- a) **Seien Sie aufmerksam, achten Sie darauf, was Sie tun, und gehen Sie mit Vernunft an die Arbeit mit einem Elektrowerkzeug. Benutzen Sie kein Elektrowerkzeug, wenn Sie müde sind oder unter dem Einfluss von Drogen, Alkohol oder Medikamenten stehen.** Ein Moment der Unachtsamkeit beim Gebrauch des Elektrowerkzeuges kann zu ernsthaften Verletzungen führen.
 - b) **Tragen Sie persönliche Schutzausrüstung und immer eine Schutzbrille.** Das Tragen persönlicher Schutzausrüstung, wie Staubmaske, rutschfeste Sicherheitsschuhe, Schutzhelm oder Gehörschutz, je nach Art und Einsatz des Elektrowerkzeuges, verringert das Risiko von Verletzungen.
 - c) **Vermeiden Sie eine unbeabsichtigte Inbetriebnahme. Vergewissern Sie sich, dass das Elektrowerkzeug ausgeschaltet ist, bevor Sie es an den Akku anschließen, es aufnehmen oder tragen.** Wenn Sie beim Tragen des Elektrowerkzeuges den Finger am Schalter haben oder das Gerät eingeschaltet an die Stromversorgung anschließen, kann dies zu Unfällen führen.
 - d) **Entfernen Sie Einstellwerkzeuge oder Schraubenschlüssel, bevor Sie das Elektrowerkzeug einschalten.** Ein Werkzeug oder Schlüssel, der sich in einem drehenden Geräteteil befindet, kann zu Verletzungen führen.
 - e) **Vermeiden Sie eine abnormale Körperhaltung. Sorgen Sie für einen sicheren Stand und halten Sie jederzeit das Gleichgewicht.** Dadurch können Sie das Elektrowerkzeug in unerwarteten Situationen besser kontrollieren.
 - f) **Tragen Sie geeignete Kleidung. Tragen Sie keine weite Kleidung oder Schmuck. Halten Sie Haare, Kleidung und Handschuhe fern von sich bewegenden Teilen.** Lockere Kleidung, Schmuck oder lange Haare können von sich bewegenden Teilen erfasst werden.
 - g) **Wenn Staubabsaug- und -auffangeinrichtungen montiert werden können, vergewissern Sie sich, dass diese angeschlossen sind und richtig verwendet werden.** Verwendung einer Staubabsaugung kann Gefährdungen durch Staub verringern.
- ### 4) Verwendung und Behandlung des Elektrowerkzeuges
- a) **Überlasten Sie das Gerät nicht. Verwenden Sie für Ihre Arbeit das dafür bestimmte Elektrowerkzeug.** Mit dem passenden Elektrowerkzeug arbeiten Sie besser

- und sicherer im angegebenen Leistungsbereich.
- b) Benutzen Sie kein Elektrowerkzeug, dessen Schalter defekt ist.** Ein Elektrowerkzeug, das sich nicht mehr ein- oder ausschalten lässt, ist gefährlich und muss repariert werden.
- c) Entfernen Sie den Akku, bevor Sie Geräteeinstellungen vornehmen, Zubehörteile wechseln oder das Gerät weglegen.** Diese Vorsichtsmaßnahme verhindert den unbeabsichtigten Start des Elektrowerkzeuges.
- d) Bewahren Sie unbenutzte Elektrowerkzeuge außerhalb der Reichweite von Kindern auf. Lassen Sie Personen das Gerät nicht benutzen, die mit diesem nicht vertraut sind oder diese Anweisungen nicht gelesen haben.** Elektrowerkzeuge sind gefährlich, wenn Sie von unerfahrenen Personen benutzt werden.
- e) Pflegen Sie Elektrowerkzeuge mit Sorgfalt. Kontrollieren Sie, ob bewegliche Teile einwandfrei funktionieren und nicht klemmen, ob Teile gebrochen oder so beschädigt sind, dass die Funktion des Elektrowerkzeuges beeinträchtigt ist. Lassen Sie beschädigte Teile vor dem Einsatz des Gerätes reparieren.** Viele Unfälle haben ihre Ursache in schlecht gewarteten Elektrowerkzeugen.
- f) Halten Sie Schneidwerkzeuge scharf und sauber.** Sorgfältig gepflegte Schneidwerkzeuge mit scharfen Schneidkanten verklemmen sich weniger und sind leichter zu führen.
- g) Verwenden Sie Elektrowerkzeug, Zubehör, Einsatzwerkzeuge usw. entsprechend diesen Anweisungen. Berücksichtigen Sie dabei die Arbeitsbedingungen und die auszuführende Tätigkeit.** Der Gebrauch von Elektrowerkzeugen für andere als die vorgesehenen Anwendungen kann zu gefährlichen Situationen führen.
- 5) Service**
- a) Lassen Sie Ihr Elektrowerkzeug nur von qualifiziertem Fachpersonal und nur mit Original-Ersatzteilen reparieren.** Damit wird sichergestellt, dass die Sicherheit des Gerätes erhalten bleibt.
- zum Sandpapierschleifen, Arbeiten mit Drahtbürsten, Polieren.** Verwendungen, für die das Elektrowerkzeug nicht vorgesehen ist, können Gefährdungen und Verletzungen verursachen.
- c) Verwenden Sie kein Zubehör, das vom Hersteller nicht speziell für dieses Elektrowerkzeug vorgesehen und empfohlen wurde.** Nur weil Sie das Zubehör an Ihrem Elektrowerkzeug befestigen können, garantiert das keine sichere Verwendung.
- d) Die zulässige Drehzahl des Einsatzwerkzeugs muss mindestens so hoch sein wie die auf dem Elektrowerkzeug angegebene Höchstdrehzahl.** Zubehör, das sich schneller als zulässig dreht, kann zerstört werden.
- e) Außendurchmesser und Dicke des Einsatzwerkzeugs müssen den Maßangaben Ihres Elektrowerkzeugs entsprechen.** Falsch bemessene Einsatzwerkzeuge können nicht ausreichend abgeschirmt oder kontrolliert werden.
- f) Gewindemontage von Zubehör muss mit dem Schleifspindelgewinde übereinstimmen. Beimitels Flanschs montiertem Zubehör muss das Loch des Zubehörs mit dem Durchmesser des Flanschs übereinstimmen.** Einsatzwerkzeuge, die nicht genau auf die Schleifspindel des Elektrowerkzeugs passen, drehen sich ungleichmäßig, vibrieren sehr stark und können zum Verlust der Kontrolle führen.
- g) Verwenden Sie keine beschädigten Einsatzwerkzeuge. Kontrollieren Sie vor jeder Verwendung Einsatzwerkzeuge wie Schleifscheiben auf Absplitterungen und Risse, Schleifteller auf Risse, Verschleiß oder starke Abnutzung, Drahtbürste für lose oder brüchige Drähte. Wenn das Elektrowerkzeug oder das Einsatzwerkzeug herunterfällt, überprüfen Sie, ob es beschädigt ist, oder verwenden Sie ein unbeschädigtes Einsatzwerkzeug. Wenn Sie das Einsatzwerkzeug kontrolliert und eingesetzt haben, halten Sie und in der Nähe befindliche Personen sich außerhalb der Ebene des rotierenden Einsatzwerkzeugs und lassen Sie das Gerät eine Minute lang mit Höchstdrehzahl laufen.** Beschädigte Einsatzwerkzeuge brechen meist in dieser Testzeit.
- h) Tragen Sie persönliche Schutzausrüstung. Verwenden Sie je nach Anwendung Vollgesichtsschutz, Augenschutz oder Schutzbrille. Soweit angemessen, tragen Sie Staubmaske, Gehörschutz, Schutzhandschuhe oder Spezialschürze, die kleine Schleif- und Materialpartikel von Ihnen fernhält.** Die Augen sollen vor herumfliegenden Fremdkörpern geschützt werden, die bei verschiedenen Anwendungen entstehen. Staub- oder Atemschutzmaske müssen den bei der Anwendung entstehenden Staub filtern. Wenn Sie lange lautem Lärm ausgesetzt sind, können Sie einen Hörverlust erleiden.

SICHERHEITSHINWEISE FÜR ALLE ANWENDUNGEN:

Gemeinsame Warnhinweise zum Schleifen, Trennschleifen.:

- a) Dieses Elektrowerkzeug ist zu verwenden als Schleifer, Trennschleifmaschine. Beachten Sie alle Warnhinweise, Anweisungen, Darstellungen und Daten, die Sie mit dem Gerät erhalten.** Wenn Sie die folgenden Anweisungen nicht beachten, kann es zu elektrischem Schlag, Feuer und/oder schweren Verletzungen kommen.
- b) Dieses Elektrowerkzeug ist nicht geeignet**

- i) Achten Sie bei anderen Personen auf sicheren Abstand zu Ihrem Arbeitsbereich. Jeder, der den Arbeitsbereich betritt, muss persönliche Schutzausrüstung tragen.** Bruchstücke des Werkstücks oder gebrochener Einsatzwerkzeuge können wegfliegen und Verletzungen auch außerhalb des direkten Arbeitsbereichs verursachen.
- j) Halten Sie das Gerät nur an den isolierten Griffflächen, wenn Sie Arbeiten ausführen, bei denen das Einsatzwerkzeug verborgene Stromleitungen oder das eigene Netzkabel treffen kann.** Der Kontakt mit einer spannungsführenden Leitung kann auch metallene Geräteteile unter Spannung setzen und zu einem elektrischen Schlag führen.
- k) Halten Sie das Netzkabel von sich drehenden Einsatzwerkzeugen fern.** Wenn Sie die Kontrolle über das Gerät verlieren, kann das Netzkabel durchtrennt oder erfasst werden und Ihre Hand oder Ihr Arm in das sich drehende Einsatzwerkzeug geraten.
- l) Legen Sie das Elektrowerkzeug niemals ab, bevor das Einsatzwerkzeug völlig zum Stillstand gekommen ist.** Das sich drehende Einsatzwerkzeug kann in Kontakt mit der Ablagefläche geraten, wodurch Sie die Kontrolle über das Elektrowerkzeug verlieren können.
- m) Lassen Sie das Elektrowerkzeug nicht laufen, während Sie es tragen.** Ihre Kleidung kann durch zufälligen Kontakt mit dem sich drehenden Einsatzwerkzeug erfasst werden, und das Einsatzwerkzeug sich in Ihren Körper bohren.
- n) Reinigen Sie regelmäßig die Lüftungsschlitze Ihres Elektrowerkzeugs.** Das Motorgebläse zieht Staub in das Gehäuse, und eine starke Ansammlung von Metallstaub kann elektrische Gefahren verursachen.
- o) Verwenden Sie das Elektrowerkzeug nicht in der Nähe brennbarer Materialien.** Funken können diese Materialien entzünden.
- p) Verwenden Sie keine Einsatzwerkzeuge, die flüssige Kühlmittel erfordern.** Die Verwendung von Wasser oder anderen flüssigen Kühlmitteln kann zu einem elektrischen Schlag führen.
- q) Ihre Hand muss den Griff während der Arbeit festhalten.** Verwenden Sie immer die dem Werkzeug mitgelieferten Hilfsgriffe. Kontrollverlust kann Körperverletzungen verursachen.

WEITERE SICHERHEITSHINWEISE FÜR ALLE ANWENDUNGEN

Rückschlag und entsprechende Warnhinweise

Rückschlag ist die plötzliche Reaktion infolge eines hakenden oder blockierten drehenden Einsatzwerkzeugs, wie Schleifscheibe, Schleifteller, Drahtbürste usw. Verhaken oder Blockieren führt zu einem abrupten Stopp des rotierenden Einsatzwerkzeugs. Dadurch wird ein unkontrolliertes Elektrowerkzeug gegen die Drehrichtung des

Einsatzwerkzeugs an der Blockierstelle beschleunigt. Wenn z. B. eine Schleifscheibe im Werkstück hakt oder blockiert, kann sich die Kante der Schleifscheibe, die in das Werkstück eintaucht, verfangen und dadurch die Schleifscheibe ausbrechen oder einen Rückschlag verursachen. Die Schleifscheibe bewegt sich dann auf die Bedienperson zu oder von ihr weg, je nach Drehrichtung der Scheibe an der Blockierstelle. Hierbei können Schleifscheiben auch brechen.

Ein Rückschlag ist die Folge eines falschen oder fehlerhaften Gebrauchs des Elektrowerkzeugs. Er kann durch geeignete Vorsichtsmaßnahmen, wie nachfolgend beschrieben, verhindert werden.

- a) Halten Sie das Elektrowerkzeug gut fest und bringen Sie Ihren Körper und Ihre Arme in eine Position, in der Sie die Rückschlagkräfte abfangen können. Verwenden Sie immer den Zusatzgriff, falls vorhanden, um die größtmögliche Kontrolle über Rückschlagkräfte oder Reaktionsmomente beim Hochlauf zu haben.** Die Bedienperson kann durch geeignete Vorsichtsmaßnahmen die Rückschlag- und Reaktionskräfte beherrschen.
- b) Bringen Sie Ihre Hand nie in die Nähe sich drehender Einsatzwerkzeuge.** Das Einsatzwerkzeug kann sich beim Rückschlag über Ihre Hand bewegen.
- c) Meiden Sie mit Ihrem Körper den Bereich, in den das Elektrowerkzeug bei einem Rückschlag bewegt wird.** Der Rückschlag treibt das Elektrowerkzeug in die Richtung entgegengesetzt zur Bewegung der Schleifscheibe an der Blockierstelle.
- d) Arbeiten Sie besonders vorsichtig im Bereich von Ecken, scharfen Kanten usw. Verhindern Sie, dass Einsatzwerkzeuge vom Werkstück zurückprallen und verklemmen.** Das rotierende Einsatzwerkzeug neigt bei Ecken, scharfen Kanten oder wenn es abbrüllt, dazu, sich zu verklemmen. Dies verursacht einen Kontrollverlust oder Rückschlag.
- e) Verwenden Sie kein Ketten- oder gezähntes Sägeblatt.** Solche Einsatzwerkzeuge verursachen häufig einen Rückschlag oder den Verlust der Kontrolle über das Elektrowerkzeug.

BESONDERE SICHERHEITSHINWEISE ZUM SCHLEIFEN UND TRENSCHLEIFEN

- a) Verwenden Sie ausschließlich die für Ihr Elektrowerkzeug zugelassenen Schleifkörper und die für diese Schleifkörper vorgesehene Schutzhaube.** Schleifkörper, die nicht für das Elektrowerkzeug vorgesehen sind, können nicht ausreichend abgesichert werden und sind unsicher.
- b) Die Schleifoberfläche von in der Mitte abgesenkten Scheiben muss unter der Plane der Schutzlippe montiert sein.** Eine

falsch montierte Scheibe, die durch die Plane der Schutzlippe ragt, kann nicht angemessen geschützt werden.

- c) **Die Schutzhaube muss sicher am Elektrowerkzeug angebracht und so eingestellt sein, dass ein Höchstmaß an Sicherheit erreicht wird, d. h. der kleinstmögliche Teil des Schleifkörpers zeigt offen zur Bedienperson.** Die Schutzhaube soll die Bedienperson vor Bruchstücken und zufälligem Kontakt mit dem Schleifkörper schützen.
- d) **Schleifkörper dürfen nur für die empfohlenen Einsatzmöglichkeiten verwendet werden. Zum Beispiel: Schleifen Sie nie mit der Seitenfläche einer Trennscheibe.** Trennscheiben sind zum Materialabtrag mit der Kante der Scheibe bestimmt. Seitliche Kräfteinwirkung auf diese Schleifkörper kann sie zerbrechen.
- e) **Verwenden Sie immer unbeschädigte Spannflansche in der richtigen Größe und Form für die von Ihnen gewählte Schleifscheibe.** Geeignete Flansche stützen die Schleifscheibe und verringern so die Gefahr eines Schleifscheibenbruchs. Flansche für Trennscheiben können sich von den Flanschen für andere Schleifscheiben unterscheiden.
- f) **Verwenden Sie keine abgenutzten Schleifscheiben von größeren Elektrowerkzeugen.** Schleifscheiben für größere Elektrowerkzeuge sind nicht für die höheren Drehzahlen von kleineren Elektrowerkzeugen ausgelegt und können brechen.

ZUSÄZLICHE SICHERHEITSHINWEISE ZUM TRENNSCHEIFEN








Zusätzliche Sicherheitshinweise zum Trennschleifen:

- a) **Vermeiden Sie ein Blockieren der Trennscheibe oder zu hohen Anpressdruck. Führen Sie keine übermäßig tiefen Schnitte aus.** Eine Überlastung der Trennscheibe erhöht deren Beanspruchung und die Anfälligkeit zum Verkanten oder Blockieren und damit die Möglichkeit eines Rückschlags oder Schleifkörperbruchs.
- b) **Meiden Sie den Bereich vor und hinter der rotierenden Trennscheibe.** Wenn Sie die Trennscheibe im Werkstück von sich wegbewegen, kann im Falle eines Rückschlags das Elektrowerkzeug mit der sich drehenden Scheibe direkt auf Sie zugeschleudert werden.
- c) **Falls die Trennscheibe verklemmt oder Sie die Arbeit unterbrechen, schalten Sie das Gerät aus und halten Sie es ruhig, bis die Scheibe zum Stillstand gekommen ist. Versuchen Sie nie, die noch laufende Trennscheibe aus dem Schnitt zu ziehen, sonst kann ein Rückschlag erfolgen.** Ermitteln und beheben Sie die Ursache für das

Verklemmen..

- d) **Schalten Sie das Elektrowerkzeug nicht wieder ein, solange es sich im Werkstück befindet. Lassen Sie die Trennscheibe erst ihre volle Drehzahl erreichen, bevor Sie den Schnitt vorsichtig fortsetzen.** Anderenfalls kann die Scheibe verhaken, aus dem Werkstück springen oder einen Rückschlag verursachen.
- e) **Stützen Sie Platten oder große Werkstücke ab, um das Risiko eines Rückschlags durch eine eingeklemmte Trennscheibe zu vermindern.** Große Werkstücke können sich unter ihrem eigenen Gewicht durchbiegen. Das Werkstück muss auf beiden Seiten abgestützt werden, und sowohl in der Nähe des Trennschnitts als auch an der Kante.
- f) **Seien Sie besonders vorsichtig bei „Taschenschnitten“ in bestehende Wände oder andere nicht einsehbare Bereiche.** Die eintauchende Trennscheibe kann beim Schneiden in Gas- oder Wasserleitungen, elektrische Leitungen oder andere Objekte einen Rückschlag verursachen.

SYMBOLE

	Lesen Sie diese Bedienungsanleitung gut durch, bevor Sie die Schlagbohrmaschine benutzen.
	Schutzisolation
	Achtung – Bedienungsanleitung lesen!
	Tragen Sie Gehörschutz, Wenn Sie die Schlagbohrmaschine benutzen.
	Beim Arbeiten mit der Schlagbohrmaschine, tragen Sie eine Schutzbrille.
	Tragen Sie eine Staubschutzmaske
	Schutzhandschuhe tragen
	Ziehen Sie vor allen Arbeiten am Elektrowerkzeug den Netzstecker aus der Steckdose.



Elektroprodukte dürfen nicht mit dem normalen Haushaltsmüll entsorgt werden, sondern sollten nach Möglichkeit zu einer Recyclingstelle gebracht werden. Ihre zuständigen Behörden oder Ihr Fachhändler geben Ihnen hierzu gerne Auskunft.

Wir empfehlen Ihnen, sämtliche Zubehörteile beim selben Fachhändler zu beziehen, bei dem Sie auch Ihr Elektrowerkzeug gekauft haben. Verwenden Sie nur hochwertige Zubehörteile von namhaften Herstellern. Weitere Informationen finden Sie auf der Verpackung der Zubehörteile. Auch Ihr Fachhändler berät Sie gerne.

KOMPONENTEN

1. SPINDELARRETIERUNG
2. SCHUTZHAUBE
3. ZUSATZHANDGRIFF
4. EIN-AUS-SCHALTER
5. LUFTFILTER
6. AUSSEN-FLANSCH
7. INNEN-FLANSCH
8. SPINDEL
9. SCHLÜSSEL

* **Abgebildetes oder beschriebenes Zubehör gehört teilweise nicht zum Lieferumfang**

TECHNISCHE DATEN

Typ **KUS10P KUS05P (S10P/S05P-
Bezeichnung der Maschine, Repräsentant der
Winkelschleifer)**

	KUS10P	KUS05P
Spannung	230-240V~50Hz	
Nennaufnahmeleistung	900W	
Leerlaufdrehzahl	11000/min	
Schutzklasse	□/II	
Spindelgewinde	M14	
Scheibendurchmesser	125mm	115mm
Scheibenbohrung	22.2mm	
Gewicht	1.5kg	

LIEFERUMFANG

Schlüssel	1
Zusatzhandgriff	1

INFORMATIONEN ÜBER LÄRM

Gewichteter Schalldruck $L_{pA} = 94,3 \text{ dB(A)}$

Gewichtete Schalleistung $L_{wA} = 105,3 \text{ dB(A)}$

$K_{pA} \& K_{wA}$ 3 dB(A)

**Tragen Sie einen
Gehörschutz.**



INFORMATIONEN ÜBER VIBRATIONEN

Vibrationsgesamtwertermittlung gemäß EN 60745:

Schleifen	Vibrationsemissionswert $a_{h,AG} = 8,14 \text{ m/s}^2$
	Unsicherheit $K = 1.5 \text{ m/s}^2$

– Der angegebene Schwingungsgesamtwert wurde nach einem Standardtestverfahren gemessen und kann zum Vergleichen eines Werkzeugs mit einem anderen verwendet werden.

– Der angegebene Gesamtvibrationswert kann zum Vergleich eines Werkzeugs mit einem anderen und auch zur vorläufigen Expositionsbewertung verwendet werden.

! WARNUNG: Der Vibrationsemissionswert kann während des tatsächlichen Gebrauchs des Elektrowerkzeugs vom angegebenen Wert abweichen, je nachdem, wie das Werkzeug gemäß folgenden Beispielen und weiteren Verwendungsmöglichkeiten eingesetzt wird:

Die Verwendung des Werkzeugs und die Art, wie die Materialien geschnitten oder angebohrt werden. Der Pflege- und Wartungszustand des Werkzeugs. Die Verwendung des richtigen Zubehörs und dessen Schärfe und Zustand. Die Festigkeit der Handgriffe und die Benutzung von Antivibrationszubehör. Der bestimmungsgemäß eund diesen Anweisungen entsprechende Gebrauch.

Wird dieses Werkzeug nicht angemessen gehandhabt, kann es zum Auftreten des Hand-Arm-Vibrationssyndroms kommen.

! WARNUNG: Sie sollten die tatsächlichen Arbeitsabschnitte genau ermitteln, um so den Belastungsgrad abzuschätzen. Auf diese Weise kann der Belastungsgrad während der gesamten Arbeitszeit möglicherweise wesentlich gemindert werden. So minimieren Sie das Risiko, dem Sie bei Vibrationen ausgesetzt sind. Verwenden Sie **IMMER** scharfe Meißel, Bohrer und Sägeblätter. Pflegen Sie dieses Werkzeug den Anweisungen entsprechend und achten Sie stets auf eine gutes Einfetten (wo erforderlich). Bei regelmäßiger Verwendung von Elektrowerkzeug sollten Sie in Antivibrationszubehör investieren. Erstellen Sie einen Arbeitsplan, um die Verwendung von hochvibrierenden Werkzeugen auf mehrere Tage zu verteilen.

BESTIMMUNGSGEMÄßER GEBRAUCH

! HINWEIS: Lesen Sie das Handbuch vor Inbetriebnahme des Werkzeuges sorgfältig durch.

Bestimmungsgemäßer Gebrauch

Das Elektrowerkzeug ist bestimmt zum Trennen, Schruppen und Bürsten von Metall- und Steinwerkstoffen ohne Verwendung von Wasser. Zum Trennen von Metall muss eine spezielle Schutzhaube zum Trennen verwendet werden.

MONTAGE UND BEDIENUNG

MASSNAHME	ABBILDUNG
MONTAGE	
Montage des Zusatzhandgriff Warnung! Verwenden Sie bei der Bedienung der Maschine immer den Zusatzhandgriff.	Siehe Bild A
Montage der Schleif-/Trennscheibe	Siehe Bild B
Einstellung der äußeren Flanschklammer	Siehe Bild C1, C2

Einstellung der Schutzhaube Hinweis: Ziehen Sie vor allen Arbeiten an der Maschine den Netzstecker. Bei Arbeiten mit Schleif- oder Trennscheiben muss der Schleifscheibenschutz montiert werden. Die Schutzhaube wird in die Nut am Spindelbund eingelegt und dreht sich in die gewünschte Arbeitsposition. Den Schutz mit der Schraube festklemmen. Die Schleifscheibe muss sich in der Schutzhaube frei drehen können. Die geschlossene Seite des der Schutzhaube muss immer zum Bediener zeigen.	Siehe Bild D
--	--------------

OPERATION

Verwendung des Ein-Aus-Schalters	Siehe Bild E
----------------------------------	--------------

Handgriffbereiche	Siehe Bild F
-------------------	--------------

Schruppen
! Warnung! Verwenden Sie zum Schruppen niemals eine Trennscheibe.

Trennen
! Warnung! Arbeiten Sie beim Trennen von Metall immer mit dem geeigneten Trennscheibenschutz.

Auto-Stop-Kohlebürsten
Hinweis: Wenn die Harzisolierspitze (11) in der Kohlebürste (12) den Kommutator (10) berührt, wird der Motor automatisch abgeschaltet. In diesem Fall sollten beide Kohlebürsten ausgetauscht werden. Halten Sie die Kohlebürsten in den Halterungen sauber und frei verschiebbar. Beide Kohlebürsten sollten gleichzeitig ausgetauscht werden. Verwenden Sie nur identische Kohlebürsten.

Regelmäßige Reinigung des Luftfilters
Hinweis: Der Luftfilter muss nach längerer Benutzung der Maschine gereinigt werden.

TIPPS ZUR ARBEIT MIT IHREM WERKZEUG

Wenn Ihr Elektrowerkzeug zu heiß wird, lassen Sie es für 2-3 Minuten ohne Last laufen, um den Motor zu kühlen.

Starten Sie Ihren Winkelschleifer niemals mit der Scheibe in Kontakt mit dem Werkstück. Starten Sie immer im Leerlauf und lassen Sie die Schleifmaschine erst die volle Drehzahl erreichen, ehe Sie mit dem

Arbeiten beginnen.

Versuchen Sie nicht, die Materialabtragung durch starkes Drücken auf das Werkzeug zu erhöhen. Ein moderater Druck erhöht die Lebensdauer des Werkzeugs.

Der Anstellwinkel zwischen dem Schleifwerkzeug und dem Werkstück sollte immer 15-30 Grad betragen.

Bei größeren Anstellwinkeln können Riefen entstehen, und die Oberfläche wird uneben.

Bewegen Sie den Winkelschleifer gleichmäßig hin und her. Ändern Sie beim Schneiden mit einer Trennscheibe niemals den Schnittwinkel, andernfalls kann das Blatt blockieren oder brechen, oder der Motor bleibt stehen. Wenn Arbeits- und Drehrichtung der Scheibe übereinstimmen, besteht die Gefahr, dass die Scheibe die Maschine aus der Schnitffuge hebt. Diamantscheiben sind für hartes Material gut geeignet. Sie können beim Arbeiten sehr heiß werden, und es kann ein Funkenring um das ganze Werkzeug herum entstehen. Unterbrechen Sie in einem solchen Fall Ihre Arbeit und lassen Sie die Scheibe 2-3 Minuten lang im Leerlauf abkühlen.

Das Werkstück muss sicher befestigt oder festgeklammert werden, damit es nicht verrutschen kann.

WARTUNG

Ziehen Sie grundsätzlich den Netzstecker, bevor Sie Einstell-, Reparatur- oder Wartungstätigkeiten ausführen.

Es enthält keine Teile, die Sie warten müssen. Reinigen Sie Ihr Werkzeug niemals mit Wasser oder chemischen Lösungsmitteln. Wischen Sie es mit einem trockenen Tuch sauber. Lagern Sie Ihr Werkzeug immer an einem trockenen Platz. Halten Sie die Belüftungsöffnungen sauber. Halten Sie alle Bedienelemente staubfrei. Gelegentlich sind durch die Lüftungsschlitze hindurch Funken zu sehen. Dies ist normal und wird Ihr Werkzeug nicht beschädigen.

Lassen Sie ein beschädigtes Netzkabel vom Hersteller, von einem Fachhändler oder von einer dafür qualifizierten Person austauschen, um eine Gefährdung zu vermeiden.

UMWELTSCHUTZ



Elektroprodukte dürfen nicht mit dem normalen Haushaltsmüll entsorgt werden, sondern sollten nach Möglichkeit zu einer Recyclingstelle gebracht werden. Ihre zuständigen Behörden oder Ihr Fachhändler geben Ihnen hierzu gerne Auskunft.

KONFORMITÄTSERKLÄRUNG

Wir,
POSITEC Germany GmbH
Postfach 32 02 16, 50796 Cologne, Germany

erklären hiermit, dass unser Produkt
Beschreibung **WINKELSCHLEIFER**
Typ **KUS10P KUS05P (S10P/S05P-**
Bezeichnung der Maschine, Repräsentant der
Winkelschleifer)
Funktion **Außenflächen und Kanten schleifen**

den Bestimmungen der folgenden Richtlinien entspricht:

2006/42/EC
2011/65/EU&(EU)2015/863
2014/30/EU

Normen:

EN 55014-1
EN 55014-2
EN IEC 61000-3-2
EN 61000-3-3
EN 60745-1
EN 60745-2-3

Zur Kompilierung der technischen Datei ermächtigte Person,

Name Marcel Filz
Anschrift Positec Germany GmbH
Postfach 32 02 16, 50796 Cologne, Germany



2022/06/22
Allen Ding
Stellvertretender Cheffingenieur, Prüfung und
Zertifizierung
Positec Technology (China) Co., Ltd
18, Dongwang Road, Suzhou Industrial
Park, Jiangsu 215123, P. R. China

NOTICE ORIGINALE

AVERTISSEMENTS GÉNÉRAUX DE SÉCURITÉ POUR L'OUTIL



AVERTISSEMENT Lire tous les avertissements de sécurité et toutes les instructions. Ne pas suivre les avertissements et instructions peut donner lieu à un choc électrique, un incendie et/ou une blessure sérieuse.

Conserver tous les avertissements et toutes les instructions pour pouvoir s'y reporter ultérieurement.

Le terme «outil» dans les avertissements fait référence à votre outil électrique alimenté par le secteur (avec cordon d'alimentation) ou votre outil fonctionnant sur batterie (sans cordon d'alimentation).

1) Sécurité de la zone de travail

a) Conserver la zone de travail propre et bien éclairée. Les zones en désordre ou sombres sont propices aux accidents.

b) Ne pas faire fonctionner les outils électriques en atmosphère explosive, par exemple en présence de liquides inflammables, de gaz ou de poussières. Les outils électriques produisent des étincelles qui peuvent enflammer les poussières ou les fumées.

c) Maintenir les enfants et les personnes présentes à l'écart pendant l'utilisation de l'outil. Les distractions peuvent vous faire perdre le contrôle de l'outil.

2) Sécurité électrique

a) Il faut que les fiches de l'outil électrique soient adaptées au socle. Ne jamais modifier la fiche de quelque façon que ce soit. Ne pas utiliser d'adaptateurs avec des outils à branchement de terre. Des fiches non modifiées et des socles adaptés réduiront le risque de choc électrique.

b) Éviter tout contact du corps avec des surfaces reliées à la terre telles que les tuyaux, les radiateurs, les cuisinières et les réfrigérateurs. Il existe un risque accru de choc électrique si votre corps est relié à la terre.

c) Ne pas exposer les outils à la pluie ou à des conditions humides. La pénétration d'eau à l'intérieur d'un outil augmentera le risque de choc électrique.

d) Ne pas maltraiter le cordon. Ne jamais utiliser le cordon pour porter, tirer ou débrancher l'outil. Maintenir le cordon à l'écart de la chaleur, du lubrifiant, des arêtes ou des parties en mouvement. Des cordons endommagés ou emmêlés augmentent le risque de choc électrique.

e) Lorsqu'on utilise un outil à l'extérieur, utiliser un prolongateur adapté à l'utilisation extérieure. L'utilisation d'un cordon adapté à l'utilisation extérieure réduit le risque de choc électrique.

f) Si l'usage d'un outil dans un emplacement

humide est inévitable, utiliser une alimentation protégée par un dispositif à courant différentiel résiduel (DDR). L'usage d'un DDR réduit le risque de choc électrique.

3) Sécurité des personnes

a) Restez vigilant, regardez ce que vous êtes en train de faire et faites preuve de bon sens dans votre utilisation de l'outil. Ne pas utiliser un outil lorsque vous êtes fatigué ou sous l'emprise de drogues, d'alcool ou de médicaments. Un moment d'inattention au cours de l'utilisation d'un outil peut entraîner des blessures graves.

b) Utiliser un équipement de sécurité. Toujours porter une protection pour les yeux. Les équipements de sécurité tels que les masques contre les poussières, les chaussures de sécurité antidérapantes, les casques ou les protections acoustiques utilisés dans les conditions appropriées réduiront le risque de blessures.

c) Éviter tout démarrage intempestif. S'assurer que l'interrupteur est en position arrêt avant de brancher l'outil au secteur et/ou au bloc de batteries, de le ramasser ou de le porter. Porter les outils en ayant le doigt sur l'interrupteur ou brancher des outils dont l'interrupteur est en position marche est source d'accidents.

d) Retirer toute clé de réglage avant de mettre l'outil en marche. Une clé laissée fixée sur une partie tournante de l'outil peut entraîner des blessures.

e) Ne pas se précipiter. Garder une position et un équilibre adaptés à tout moment. Cela permet un meilleur contrôle de l'outil dans des situations inattendues.

f) S'habiller de manière adaptée. Ne pas porter de vêtements amples ou de bijoux. Garder les cheveux, les vêtements et les gants à distance des parties en mouvement. Des vêtements amples, des bijoux ou les cheveux longs peuvent être attrapés par des parties en mouvement.

g) Si des dispositifs sont fournis pour le raccordement d'équipements pour l'extraction et la récupération des poussières, s'assurer qu'ils sont connectés et correctement utilisés. Utiliser des collecteurs de poussière peut réduire les risques dus aux poussières.

4) Utilisation et entretien de l'outil

a) Ne pas forcer l'outil. Utiliser l'outil adapté à votre application. L'outil adapté réalisera mieux le travail et de manière plus sûre au régime pour lequel il a été construit.

b) Ne pas utiliser l'outil si l'interrupteur ne permet pas de passer de l'état de marche à celui d'arrêt et vice versa. Tout outil qui ne peut pas être commandé par l'interrupteur est dangereux et doit être réparé.

c) Débrancher la fiche de la source d'alimentation secteur et/ou le bloc de batteries de l'outil avant tout réglage, changement d'accessoires ou avant de

- ranger l'outil.** *De telles mesures de sécurité préventives réduisent le risque de démarrage accidentel de l'outil.*
- d) Conserver les outils à l'arrêt hors de la portée des enfants et ne pas permettre à des personnes ne connaissant pas l'outil ou les présentes instructions de le faire fonctionner.** *Les outils sont dangereux entre les mains d'utilisateurs novices.*
 - e) Observer la maintenance de l'outil. Vérifier qu'il n'y a pas de mauvais alignement ou de blocage des parties mobiles, des pièces cassées ou toute autre condition pouvant affecter le fonctionnement de l'outil. En cas de dommages, faire réparer l'outil avant de l'utiliser.** *De nombreux accidents sont dus à des outils mal entretenus.*
 - f) Garder affûtés et propres les outils permettant de couper.** *Des outils destinés à couper correctement entretenus avec des pièces coupantes tranchantes sont moins susceptibles de rester bloqués et sont plus faciles à contrôler.*
 - g) Utiliser l'outil, les accessoires et les lames etc., conformément à ces instructions, en tenant compte des conditions de travail et du travail à réaliser.** *L'utilisation de l'outil pour des opérations différentes de celles prévues pourrait donner lieu à des situations dangereuses.*
 - 5) Maintenance et entretien**
 - a) Faire entretenir l'outil par un réparateur qualifié utilisant uniquement des pièces de rechange identiques.** *Cela assurera le maintien de la sécurité de l'outil.*

INFORMATIONS SUPPLEMENTAIRES DE SECURITE POUR VOTRE MEULEUSE D'ANGLE

Avertissements de sécurité communs les opérations de tronçonnage par meulage ou abrasion:

- a) Cet outil électrique est destiné à faire office de broyeur, ou instrument de coupe. Lisez tous les avertissements de sécurité, instructions, illustrations et spécifications fournies avec l'outil.** En ne suivant pas toutes les instructions listées ci-dessous, vous vous exposez à une possible électrocution, un incendie et/ou des blessures graves.
- b) Il n'est pas recommandé de réaliser les opérations telles que le brossage, le polissage avec cet outil électrique.** Les opérations pour lesquelles l'outil électrique a été conçu peuvent représenter un danger et causer des blessures corporelles.
- c) N'utilisez pas d'accessoires qui ne soient pas conçus et recommandés spécifiquement par le fabricant de l'outil.** Le fait que l'accessoire puisse se fixer sur votre outil électrique n'assure pas son fonctionnement en toute sécurité.
- d) La vitesse nominale de l'accessoire doit être supérieure ou égale à la vitesse maximale indiquée sur l'outil électrique.** Les accessoires qui tournent plus rapidement que leur valeur nominale peuvent voler en éclats,
- e) Le diamètre externe et l'épaisseur de votre accessoire doivent être dans la plage de capacité nominale de votre outil électrique.** Les accessoires mal dimensionnés ne peuvent pas être protégés ni commandés de façon adéquate.
- f) Les dimensions externes des disques, collerettes, plateaux ou autres accessoires doivent s'adapter correctement à l'axe de l'outil électrique.** Les accessoires avec trou d'arbre qui ne correspondent pas au matériel de montage de l'outil électrique vont le déséquilibrer, créer des vibrations excessives et peuvent causer une perte de contrôle,
- g) Le montage fileté d'accessoires doit être adapté au filet de l'arbre de la meuleuse. Pour les accessoires montés avec des flasques, l'alésage central de l'accessoire doit s'adapter correctement au diamètre du flasque.** Les accessoires qui ne correspondent pas aux éléments de montage de l'outil électrique seront en déséquilibre, vibreront de manière excessive et pourront provoquer une perte de contrôle.
- h) Portez des équipements de protection personnels. Selon l'application, utilisez une protection de visage, des lunettes de sécurité ou un masque de sécurité. Selon le cas, portez un masque contre la poussière, des protections auditives, des gants et un tablier pouvant arrêter les petits fragments d'abrasif ou de la pièce.** La protection pour les yeux doit être capable d'arrêter les débris volant générés par les différentes opérations. Le masque contre les poussières ou le respirateur doit être capable de filtrer les particules générées par l'utilisation. Une exposition prolongée à du bruit de forte intensité peut causer une perte de l'ouïe.
- i) Tenez les observateurs à une distance de sécurité de la zone de travail. Quiconque entrant dans la zone de travail doit porter des équipements de protection personnels.** Des fragments de la pièce ou un accessoire cassé peuvent voler et causer des blessures dans les environs immédiates de la zone d'utilisation.
- j) Tenez l'outil électrique uniquement par les surfaces de prise en main isolantes lorsque vous effectuez une opération où l'accessoire de coupe peut entrer en contact avec des fils cachés ou avec son propre cordon.** L'accessoire de coupe, s'il entre en contact avec un fil "sous tension", peut mettre les parties métalliques exposées de l'outil "sous tension" et électrocuter l'opérateur.
- k) Placez le cordon à distance de l'accessoire en rotation.** Si vous perdez le contrôle, le cordon peut être coupé ou accroché, et votre main ou votre bras peuvent être entraînés vers l'accessoire en rotation.
- l) Ne posez jamais l'outil électrique tant que**

l'accessoire ne s'est pas complètement arrêté. L'accessoire en rotation peut accrocher une surface et vous faire perdre le contrôle de l'outil électrique,

- m) **Ne faites pas tourner l'outil électrique quand vous le portez sur le coté.** Un contact accidentel avec l'accessoire en rotation peut accrocher vos vêtements, et entraîner l'accessoire vers votre corps.
- n) **Nettoyez régulièrement les ouïes de ventilation de l'outil électrique.** Le ventilateur du moteur attire la poussière à l'intérieur du boîtier et une accumulation excessive de poudre métallique peut représenter un danger électrique.
- o) **N'utilisez pas l'outil électrique près de matériaux inflammables.** Des étincelles peuvent enflammer ces matériaux.
- p) **N'utilisez pas des accessoires qui requièrent des liquides de refroidissement.** L'utilisation d'eau ou d'un autre liquide de refroidissement peut conduire à une électrocution ou un choc électrique.
- q) Vous devez tenir les poignées avec les mains lorsque vous travaillez. Utilisez toujours les poignées auxiliaires fournies avec l'outil. Les pertes de contrôle peuvent causer des blessures.

INSTRUCTIONS DE SÉCURITÉS SUPPLÉMENTAIRES POUR TOUT USAGE

Avertissements liés aux retours d'efforts

Le retour d'effort est la réaction soudaine à un outil, un plateau, une brosse ou un autre accessoire en rotation et qui est pincé ou accroché. Le pincement ou l'accrochage cause un calage rapide de l'accessoire rotatif qui à son tour force l'outil électrique, devenu incontrôlable, dans le sens opposé à la rotation de l'accessoire, au niveau du point de grippage.

Par exemple, un disque abrasif est accroché ou pincé par la pièce à usiner, le bord du disque qui subit le pincement peut creuser la surface du matériau forçant le disque à sortir ou s'éjecter. Le disque peut soit sauter vers l'opérateur, soit dans le sens opposé, selon la direction de mouvement au point de pincement. Les disques abrasifs peuvent également se briser sous certaines conditions.

Le retour d'effort est le résultat d'une mauvaise utilisation de l'outil électrique et/ou de procédures ou de conditions d'utilisation incorrectes, et il peut être évité en prenant les précautions ci-dessous.

- a) **Maintenez une prise en main ferme sur l'outil électrique et placez votre corps et votre bras de façon à résister aux retours d'efforts. Utilisez toujours la poignée auxiliaire, si elle existe, pour un contrôle maximum du retour d'effort et du couple réactif au démarrage.** L'opérateur peut contrôler le couple réactif ou les retours d'effort en prenant des précautions appropriées.
- b) **Ne placez jamais votre main près de l'accessoire rotatif.** L'accessoire peut subir un

retour d'effort vers votre main.

- c) **Ne placez pas votre corps dans la zone où l'outil électrique se déplacerait en cas de retour d'effort,** le retour d'effort propulse l'outil dans le sens opposé au mouvement du disque, au niveau du point d'accrochage.
- d) **Faites très attention lors du travail dans les angles, sur les arêtes vives etc., et évitez le rebond et l'accrochage de l'accessoire.** Les coins, les arêtes vives et les rebonds ont tendance à bloquer l'accessoire rotatif et peuvent causer une perte de contrôle ou un retour d'effort.
- e) **N'attachez pas une lame à sculpter de tronçonneuse ou une lame de scie dentée.** Ces lames créent des risques fréquents de rebond et de perte de contrôle

INSTRUCTIONS DE SÉCURITÉ SUPPLÉMENTAIRES POUR LE BROYAGE ET LA COUPE

Avertissements de sécurité spécifiques aux opérations de meulage et de découpe abrasive:

- a) **N'utilisez que les types de disques recommandés pour votre outil électrique, avec la protection conçue spécialement pour le disque choisi.** Les disques pour lesquels l'outil électrique n'a pas été prévu ne peuvent pas être correctement protégés et ne sont pas sûrs.
- b) **La surface de meulage des meules à moyeu déporté doit être montée sous le plan de la lèvres du protecteur.** Une meule montée de manière incorrecte qui dépasse du plan de la lèvres du protecteur ne peut pas être protégée de manière appropriée.
- c) **La protection doit être fermement fixée à l'outil électrique et placée en vue d'une sécurité maximale, de sorte que le disque soit le moins exposé possible vers l'opérateur.** La protection aide à protéger l'opérateur contre les fragments de disque brisé et les contacts accidentels avec le disque.
- d) **Les disques doivent être utilisés seulement pour les applications recommandées. Par exemple: ne meulez pas avec le bord d'un disque de coupe.** Les disques de coupe abrasive sont conçus pour le meulage périphérique, les forces latérales appliquées à de tels disques peuvent les casser.
- e) **Utilisez toujours des collerettes de disques non endommagées et de taille et forme correctes pour le disque choisi.** Des collerettes de disques adaptées supportent le disque et réduisent ainsi le risque de casse. Les collerettes des disques de découpe peuvent être différentes de celles des disques à meuler,
- f) **N'utilisez pas de disques usés d'outils électriques plus gros.** Les disques prévus pour des outils électriques plus gros ne conviennent pas pour les vitesses élevées d'outils

plus petits et peuvent éclater.

INSTRUCTIONS DE SÉCURITÉ SUPPLÉMENTAIRES POUR LA COUPE

**Avertissements de sécurité supplémentaires
spécifiques aux opérations de découpe
abrasive:**

- a) **Ne "bloquez" pas le disque de découpe et n'exercez pas de pression excessive. N'essayez pas de faire une profondeur de coupe excessive.** Une sur-contrainte du disque augmente la charge et la susceptibilité du disque à la torsion ou aux efforts dans la coupe, ainsi que l'éventualité d'un retour d'effort ou de casse du disque.
- b) **Ne placez pas votre corps dans l'axe ni derrière le disque en rotation.** Lorsque le disque, au point de fonctionnement, s'éloigne de votre corps, le retour d'effort possible peut propulser le disque en rotation et l'outil électrique directement vers vous.
- c) **Lorsque le disque est en contrainte ou lorsque vous arrêtez la coupe pour une raison quelconque, éteignez l'outil électrique et maintenez l'outil immobile jusqu'à ce que le disque soit à l'arrêt complet. N'essayez jamais d'enlever le disque de coupe de la coupe pendant qu'il est en mouvement sous peine de risque de retour d'effort.** Investiguez et prenez des actions correctrices pour éliminer la cause de la contrainte au niveau du disque.
- d) **Ne redémarrez pas l'opération de coupe sur la pièce à usiner. Laissez le disque atteindre sa pleine vitesse et re-pénétrez dans la coupe avec précaution.** Le disque peut se contraindre, se soulever ou renvoyer un retour d'effort si l'outil électrique est redémarré dans la pièce.
- e) **Soutenez les panneaux ou toute pièce de grandes dimensions, afin de minimiser le risque de pincement de disque et de retour d'effort. Les grandes pièces ont tendance à se plier sous leur propre poids.** Les supports doivent être placés sous la pièce près de la ligne de coupe et près du bord de la pièce des deux côtés du disque.
- f) **Faites très attention quand vous faites une "découpe en poche" dans des murs existants ou d'autres zones aveugles.** Le disque protubérant peut couper des tuyaux de gaz ou d'eau, des fils électriques ou des objets pouvant provoquer un retour d'effort.

SYMBOLES



Pour réduire le risque de blessure, l'utilisateur doit lire le mode d'emploi.

	Double insulation
	Avertissement
	Porter une protection pour les oreilles
	Porter une protection pour les yeux
	Porter un masque contre la poussière
	Portez des gants de protection
	Avant toute intervention sur l'appareil, toujours retirer la fiche du câble d'alimentation de la prise de courant.
	Les déchets d'équipements électriques et électroniques ne doivent pas être déposés avec les ordures ménagères. Ils doivent être collectés pour être recyclés dans des centres spécialisés. Consultez les autorités locales ou votre revendeur pour obtenir des renseignements sur l'organisation de la collecte.


LISTE DES COMPOSANTS

1. BOUTON DE BLOCAGE
2. CARTER DE PROTECTION POUR LE MEULAGE
3. POIGNÉE SUPPLÉMENTAIRE
4. INTERRUPTEUR MARCHE/ARRÊT
5. FILTRE À AIR
6. FLASQUE DE SERRAGE
7. FLASQUE D'ENTRAÎNEMENT
8. BROCHE PORTE-OUTIL
9. CLÉ

Les accessoires reproduits ou décrits ne sont pas tous compris avec le modèle standard livré.

CARACTÉRISTIQUES TECHNIQUES

Modèle KUS10P KUS05P (S10P/S05P - désignations des pièces, illustration de la Meuleuse d' Angle)

	KUS10P	KUS05P
Tension nominale	230-240V~50Hz	
Puissance nominale	900W	
Vitesse à vide nominale	11000/min	
Classe de protection	 /II	
Arbre fileté	M14	
Diamètre du disque	125mm	115mm
Alésage du disque	22.2mm	
Poids	1.5kg	

ACCESSOIRES

Clé	1
Carter de protection pour le meulage	1
Poignée auxiliaire	1

Nous recommandons d'acheter tous les accessoires dans le magasin d'acquisition de la machine. Pour plus d'informations, se référer à l'emballage des accessoires. Le personnel du magasin est également là pour vous conseiller.

INFORMATIONS RELATIVES AU BRUIT

Niveau de pression acoustique pondéré A $L_{pA} = 94,3 \text{ dB(A)}$

Niveau de puissance acoustique pondéré A $L_{wA} = 105,3 \text{ dB(A)}$

K_{pA} & K_{wA} 3 dB(A)

Porter des protections auditives.



INFORMATIONS RELATIVES AUX VIBRATIONS

Valeurs totales de vibrations déterminées selon l'EN60745:

Meulage de surface	Valeur d'émission de vibrations $a_{h,AG} = 8,14 \text{ m/s}^2$
	Incertitude $K = 1.5 \text{ m/s}^2$

– La valeur totale de vibration déclarée a été mesurée conformément à une méthode d'essai standard et peut être utilisée pour comparer un outil avec un autre;
– La valeur totale de vibration déclarée peut être utilisée pour comparer un outil à un autre, et peut également être utilisé dans une évaluation préliminaire de l'exposition.

AVERTISSEMENT: La valeur d'émission de vibrations pendant l'utilisation réelle de l'outil électrique peut différer de la valeur déclarée selon la façon dont l'outil est utilisé, selon les exemples suivants et d'autres variations sur la façon dont l'outil est utilisé: Comment l'outil est utilisé et quels matériaux sont coupés.

L'outil est en bon état et bien entretien.

L'utilisation du bon accessoire pour l'outil et l'assurance qu'il est affûté et en bon état.

Le serrage du grip sur les poignées et le cas échéant les accessoires anti-vibrations utilisés.

Et l'outil est utilisé comme prévu dans sa conception et dans les présentes instructions.

Cet outil peut causer un syndrome de vibration du bras et de la main s'il n'est pas correctement géré.

AVERTISSEMENT: Pour être précise, une évaluation du niveau d'exposition en conditions réelles d'utilisation doit également tenir compte de toutes les parties du cycle d'utilisation telles que les moments où l'outil est éteint, et ceux où il fonctionne au ralenti mais réalise pas réellement de tâche. Ceci peut réduire de façon significative le niveau d'exposition et la période de fonctionnement totale. Aider à minimiser le risque d'exposition aux vibrations. Entretenez cet outil en accord avec les présentes instructions et maintenez-le lubrifié (si approprié). Si l'outil doit être utilisé régulièrement, alors investissez dans des accessoires anti-vibrations. Planifiez votre travail pour étaler toute utilisation d'outil à fortes vibrations sur plusieurs jours.

FONCTIONNEMENT

REMARQUE: Avant d'utiliser cet outil, lire attentivement les instructions.

RESTRICTIONS D'UTILISATION

L'appareil est conçu pour le tronçonnage, le meulage et le brossage des matériaux en métal et en Pierre sans utilisation d'eau. Pour le tronçonnage de métal, utiliser un capot de protection spécialement conçu pour le tronçonnage (accessoire).

ASSEMBLAGE ET FONCTIONNEMENT

ACTION	FIGURE
ASSEMBLAGE	
Assemblage de la poignée auxiliaire Avertissement ! Utilisez toujours la poignée auxiliaire lorsque vous utilisez la machine.	Voir Fig. A
Assemblage du disque de meulage / de coupe	Voir Fig. B
Réglage du serrage de la bride extérieure	Voir Fig. C1, C2
Réglage de la protection de roue Remarque: Avant tout travail sur la machine seul, débranchez la fiche secteur. Pour les travaux avec des disques de meulage ou de coupe, le protège-meule doit être monté. Placer la protection dans la rainure du collier de broche et tourner jusqu'à la position de travail requise. Serrez la protection avec la vis. Le disque de meulage doit pouvoir tourner librement à l'intérieur de la protection. Le côté fermé de la protection de roue doit toujours pointer vers l'opérateur.	Voir Fig. D
OPÉRATION	
Utilisation de l'interrupteur démarrer / arrêter	Voir Fig. E
Zones de préhension	Voir Fig. F
Broyage grossier Avertissement ! N'utilisez jamais de disque de coupe pour l'ébauche.	
Coupe Avertissement ! Pour couper du métal, travaillez toujours avec la protection de roue pour la coupe.	Voir Fig. G
Balais de charbon à arrêt automatique Remarque: Lorsque la pointe isolante en résine (11) à l'intérieur du balai de charbon (12) est exposée au contact du commutateur (10), elle arrête automatiquement le moteur. Dans ce cas, les deux brosses de charbon doivent être remplacées. Gardez les brosses de charbon propres et libres de glisser dans les supports. Les deux brosses de charbon doivent être remplacées en même temps. Utilisez uniquement des brosses de charbon identiques.	Voir Fig. H

Nettoyage régulier du filtre à air

Remarque: Le filtre à air doit être nettoyé après l'utilisation la machine pendant un certain temps.

Voir Fig. I

ASTUCES CONCERNANT VOTRE OUTIL

Si votre meuleuse d'angle chauffe de manière excessive, faites la fonctionner à vide pendant 2 à 3 minutes afin de refroidir le moteur. Évitez l'usage prolongé de votre machine à très faible vitesse.

Démarrez toujours à vide pour atteindre la vitesse maximale, puis commencez à travailler. N'obligez pas le disque à travailler plus rapidement, réduire la vitesse de déplacement du disque signifie un temps de travail plus long.

Travaillez toujours avec un angle de 15-30° entre le disque et l'ouvrage. Des angles plus larges peuvent faire des stries sur la pièce à travailler et affecter la finition de la surface. Déplacez la meuleuse angulaire tout au long de la pièce et d'avant en arrière.

Lors de l'utilisation d'un disque, ne changez jamais l'angle de coupe sinon le disque et le moteur de la meuleuse angulaire risquent de caler et le disque de se casser. Pendant la coupe, coupez uniquement dans la direction opposée à la rotation du disque. Si la coupe est effectuée dans la même direction que la rotation du disque, le disque pourrait être projeté hors de son créneau.

Pendant la coupe, coupez uniquement dans la direction opposée à la rotation du disque. Si la coupe est effectuée dans la même direction que la rotation du disque, le disque pourrait être projeté hors de son créneau.

Lors de la coupe de matériaux très durs, de meilleurs résultats peuvent être obtenus avec un disque diamant.

Lors de l'utilisation d'un disque diamant, celui-ci deviendra très chaud. Si cela se produit, un anneau d'étincelles sera visible autour du disque rotatif.

Arrêtez la coupe et faites refroidir l'outil en le faisant tourner à vide pendant 2-3 minutes.

Assurez-vous toujours que l'ouvrage est fermement maintenu pour empêcher tout mouvement.

ENTRETIEN

Retirer la fiche de la prise avant de procéder à un réglage, une réparation ou un entretien.

Votre outil ne nécessite aucune lubrification ou entretien supplémentaire. Il n'y a pas de pièces réparables par l'utilisateur dans cet outil. Ne jamais utiliser d'eau ou de nettoyants chimiques pour nettoyer l'outil. Nettoyer avec un chiffon sec. Toujours conserver l'outil motorisé dans un endroit sec. Maintenir les fentes de ventilation du moteur propres. Empêcher que les commandes de marche soient couvertes de poussière. Il est normal que des étincelles soient visibles dans les fentes de ventilation, cela n'endommagera pas l'outil motorisé.

Si l'alimentation est endommagée, elle doit être

remplacée par le fabricant, son agent de maintenance ou une personne qualifiée de façon similaire, afin d'éviter tout danger.

PROTECTION DE L'ENVIRONNEMENT



Les déchets d'équipements électriques et électroniques ne doivent pas être déposés avec les ordures ménagères. Ils doivent être collectés pour être recyclés dans des centres spécialisés. Consultez les autorités locales ou votre revendeur pour obtenir des renseignements sur l'organisation de la collecte.

DÉCLARATION DE CONFORMITÉ

Nous,
Positec Germany GmbH
Postfach 32 02 16, 50796 Cologne, Germany

Déclarons ce produit
Description **Meuleuse d' Angle**
Modèle **KUS10P KUS05P (S10P/S05P - désignations des pièces, illustration de la Meuleuse d'Angle)**
Fonction **meulage périphérique et latéral**

Conforme aux directives suivantes,
2006/42/EC
2011/65/EU&(EU)2015/863
2014/30/EU

Et conforme aux normes:

EN 55014-1
EN 55014-2
EN IEC 61000-3-2
EN 61000-3-3
EN 60745-1
EN 60745-2-3


La personne autorisée à compiler le dossier technique,

Nom Marcel Filz
Adresse Positec Germany GmbH
Postfach 32 02 16, 50796 Cologne, Germany



2022/06/22
Allen Ding
Ingénieur en chef adjoint,
Essais & Certification
Positec Technology (China) Co., Ltd
18, Dongwang Road, Suzhou Industrial
Park, Jiangsu 215123, P. R. China

ISTRUZIONI ORIGINALI AVVISI GENERALI PER LA SICUREZZA DEGLI UTENSILI A MOTORE

 **ATTENZIONE!** È assolutamente necessario leggere attentamente tutte le istruzioni. Eventuali errori nell'adempimento delle istruzioni qui di seguito riportate potranno causare scosse elettriche, incendi e/o lesioni gravi.

Conservare tutti gli avvisi e le istruzioni per poterle consultare quando necessario.

Il termine qui di seguito utilizzato «utensile elettrico» si riferisce ad utensili elettrici alimentati dalla rete (con linea di allacciamento), nonché ad utensili elettrici alimentati a pile (senza linea di allacciamento).

1) Posto di lavoro

- a) **Mantenere pulito ed ordinato il posto di lavoro.** Il disordine e le zone di lavoro non illuminate possono essere fonte di incidenti.
- b) Evitare d'impiegare l'utensile in ambienti soggetti al rischio di esplosioni nei quali si trovino liquidi, gas o polveri infiammabili. Gli utensili elettrici producono scintille che possono far infiammarsi la polvere o i gas.
- c) Mantenere lontani i bambini ed altre persone durante l'impiego dell'utensile elettrico. Eventuali distrazioni potranno comportare la perdita del controllo sull'utensile.

2) Sicurezza elettrica

- a) **La spina per la presa di corrente dovrà essere adatta alla presa. Evitare assolutamente di apportare modifiche alla spina. Non impiegare spine adattatrici assieme ad utensili con collegamento a terra.** Le spine non modificate e le prese adatte allo scopo riducono il rischio di scosse elettriche.
- b) **Evitare il contatto fisico con superfici collegate a terra, come tubi, riscaldamenti, cucineelettriche e frigoriferi.** Sussiste un maggior rischio di scosse elettriche nel momento in cui il corpo è messo a massa.
- c) **Custodire l'utensile al riparo dalla pioggia o dall'umidità.** L'eventuale infiltrazione di acqua in un utensile elettrico va ad aumentare il rischio d'insorgenza di scosse elettriche.
- d) **Non usare il cavo per scopi diversi da quelli previsti al fine di trasportare o appendere l'apparecchio, oppure di togliere la spina dalla presa di corrente. Mantenere l'utensile al riparo da fonti di calore, dall'olio, dagli spigolosi da parti di strumenti in movimento.** I cavi danneggiati o aggrovigliati aumentano il rischio d'insorgenza di scosse elettriche.
- e) **Qualora si voglia usare l'utensile all'aperto, impiegare solo ed esclusivamente cavi di prolunga omologati per l'impiego all'esterno.** L'uso di un cavo di prolunga omologato per l'impiego all'esterno riduce il rischio d'insorgenza di scosse elettriche.

f) **Se si deve utilizzare l'utensile a motore in un luogo umido, utilizzare una fonte di alimentazione con protezione a corrente residua.** L'uso di un dispositivo a corrente residua riduce il rischio di folgorazioni elettriche.

3) Sicurezza delle persone

- a) **È importante concentrarsi su ciò che si sta facendo e a maneggiare con giudizio l'utensile elettrico durante le operazioni di lavoro. Non utilizzare l'utensile in caso di stanchezza o sotto l'effetto di droghe, bevande alcoliche e medicinali.** Un attimo di distrazione durante l'uso dell'utensile potrà causare lesioni gravi.
 - b) **Indossare sempre equipaggiamento protettivo individuale, nonché guanti protettivi.** Se si avrà cura d'indossare equipaggiamento protettivo individuale come la maschera antipolvere, la calzatura antidrucciolevole di sicurezza, il casco protettivo o la protezione dell'udito, a seconda dell'impiego previsto per l'utensile elettrico, si potrà ridurre il rischio di ferite.
 - c) **Evitare avvii involontari. Controllare che l'interruttore sia nella posizione off prima di effettuare il collegamento a una sorgente di alimentazione/batteria, e prima di sollevare o trasportare l'utensile.** Il fatto di tenere il dito sopra all'interruttore o di collegare l'utensile acceso all'alimentazione di corrente potrà essere causa di incidenti.
 - d) **Togliere gli attrezzi di regolazione o la chiave inglese prima di accendere l'utensile.** Un utensile o una chiave inglese che si trovino in una parte di strumento in rotazione potranno causare lesioni.
 - e) **È importante non sopravvalutarsi. Avere curati mettersi in posizione sicura e di mantenere l'equilibrio.** In tale maniera sarà possibile controllare meglio l'apparecchio in situazioni inaspettate.
 - f) **Indossare vestiti adeguati. Evitare di indossare vestiti lenti o gioielli. Tenere i capelli, i vestiti ed i guanti lontani da pezzi in movimento.** Vestiti lenti, gioielli o capelli lunghi potranno impigliarsi in pezzi in movimento.
 - g) **Se sussiste la possibilità di montare dispositivi di aspirazione o di captazione della polvere, assicurarsi che gli stessi siano stati installati correttamente e vengano utilizzati senza errori.** L'impiego dei suddetti dispositivi diminuisce il pericolo rappresentato dalla polvere.
- ## 4) Maneggio ed impiego accurato di utensili elettrici
- a) **Non sovraccaricare l'utensile. Impiegare l'utensile elettrico adatto per sbrigare il lavoro.** Utilizzando l'utensile elettrico adatto si potrà lavorare meglio e con maggior sicurezza nell'ambito della gamma di potenza indicata.
 - b) **Non utilizzare utensili elettrici con interruttori difettosi.** Un utensile elettrico che non si può più accendere o spegnere è pericoloso e dovrà essere riparato.

- c) **Scollegare la spina dalla sorgente di alimentazione e/o la batteria dall'utensile prima di effettuare regolazione, cambiare accessori, o riporre gli utensili a motore.** Tale precauzione eviterà che l'apparecchio possa essere messo in funzione inavvertitamente.
- d) **Custodire gli utensili elettrici non utilizzati al di fuori della portata dei bambini. Non fare usare l'apparecchio a persone che non sono abituate ad usarlo o che non abbiano letto le presenti istruzioni.** Gli utensili elettrici sono pericolosi se utilizzati da persone inesperte.
- e) **Effettuare accuratamente la manutenzione dell'apparecchio. Verificare che le parti mobili dello strumento funzionino perfettamente e non s'inceppino, che non ci siano pezzi rotti o danneggiati al punto tale da limitare la funzione dell'apparecchio stesso. Far riparare le parti danneggiate prima d'impiegare l'apparecchio.** Numerosi incidenti vengono causati da utensili elettrici la cui manutenzione è stata effettuata poco accuratamente.
- f) **Mantenere affilati e puliti gli utensili da taglio.** Gli utensili da taglio curati con particolare attenzione e con taglienti affilati s'inceppano meno frequentemente e sono più facili da condurre.
- g) **Utilizzare utensili elettrici, accessori, attrezzi, ecc. in conformità con le presenti istruzioni e secondo quanto previsto per questo tipo specifico di apparecchio. Osservare le condizioni di lavoro ed il lavoro da eseguirsi durante l'impiego.** L'impiego di utensili elettrici per usi diversi da quelli consentiti potrà dar luogo a situazioni di pericolo.

5) Assistenza

- a) **Fare riparare l'apparecchio solo ed esclusivamente da personale specializzato e solo impiegando pezzi di ricambio originali.** In tale maniera potrà essere salvaguardata la sicurezza dell'apparecchio.

ALTRE INFORMAZIONI DI SICUREZZA PER LA VOSTRA SMERIGLIATRICE

Avvisi di sicurezza comuni per le operazioni di levigatura e taglio:

- a) **Questo utensile elettrico può funzionare come molatrice, o come strumento per il taglio. Leggere tutti gli avvisi sulla sicurezza, le istruzioni, le illustrazioni e le specifiche fornite con questo utensile elettrico.** La mancata osservanza di queste istruzioni può esporre al rischio di folgorazioni elettriche, incendio e/o altre lesioni gravi.
- b) **Non si consiglia l'esecuzione di operazioni quali pulizia con spazzola metallica, e lucidatura con questo utensile.** L'esecuzione

di operazioni per le quali l'utensile non è stato realizzato può esporre a rischi e lesioni personali.

- c) **Non utilizzare accessori che non sono stati realizzati in modo specifico e consigliati dal costruttore.** Il fatto che sia possibile attaccare gli accessori sull'utensile non è garanzia di funzionamento sicuro.
- d) **La velocità nominale dell'accessorio deve essere almeno pari alla velocità massima dell'utensile.** Accessori con velocità superiori a quella nominale possono essere proiettati via.
- e) **Il diametro esterno e lo spessore dell'accessorio devono essere compresi in quelli accettati dall'utensile.** Non è possibile proteggere o controllare in modo adeguato accessori di dimensioni errate. **La filettatura degli accessori deve corrispondere a quella del mandrino della smerigliatrice. Per gli accessori montati con flange, il foro conico dell'accessorio deve corrispondere al diametro della flangia.** Gli accessori con fori dell'asse che non sono adatti all'asse dell'utensile possono essere non equilibrati, vibrare eccessivamente, e possono causare la perdita del controllo.
- f) **Non usare accessori danneggiati. Prima di ogni uso ispezionare l'accessorio, quali dischi abrasivi per verificare la presenza di schegge e fessure, i supporti dei tamponi per controllare la presenza di fessure, usura o eccessiva usura, la spazzola metallica per controllare eventuali con fili allentati o incrinati. Se l'utensile o l'accessorio vengono fatti cadere, ispezionarli per verificare la presenza di danni, o utilizzare un accessorio non danneggiato. Dopo aver posizionato e installato un accessorio, posizionarsi e far collocare eventuali altre persone al di fuori del piano di rotazione dell'accessorio e far girare l'utensile senza carico per un minuto.** Normalmente gli accessori danneggiati si rompono durante l'esecuzione di questa prova.
- g) **Indossare dispositivi di protezione individuali. In funzione dell'applicazione, usare una maschera per il volto, occhiali protettivi o occhiali di sicurezza. Se necessario indossare una mascherina per la polvere, dispositivi di protezione per l'udito, guanti e grembiule in grado di arrestare eventuali frammenti di piccole dimensioni.** La protezione degli occhi deve essere in grado di arrestare piccolo frammenti generate dalle diverse operazioni. La mascherina antipolvere e il respiratore devono essere in grado di filtrare le particelle che si creano con il lavoro. L'esposizione prolungata a rumori molto forti può provocare la perdita dell'udito.
- h) **Far sostare altre persone a distanza di sicurezza dall'area di lavoro. Chi accede all'area di lavoro deve indossare un dispositivo di protezione individuale.** Frammenti dell'oggetto su cui si sta lavorando o derivanti dalla eventuale rottura di un accessorio potrebbero essere proiettati via e provocare lesioni personali nell'area immediatamente attigua alla zona di lavoro.

- i) **Tenere l'utensile solo utilizzando le apposite superfici, in particolare durante l'esecuzione di operazioni nelle quali l'accessorio per il taglio può venire a contatto con cavi nascosti o con il proprio cavo di alimentazione.** L'accessorio di taglio può venire a contatto con un cavo alimentato e la corrente può passare attraverso le parti metalliche dell'utensile e esporre l'operatore al rischio di folgorazione.
- j) **Posizionare il cavo in modo che sia distante dall'accessorio rotante.** Se si perde il controllo, il cavo potrebbe essere danneggiato o catturato e braccio e mano potrebbero essere tirati verso l'accessorio mentre è in rotazione.
- k) **Non poggiare mai l'utensile fino a quando l'accessorio non si è arrestato completamente.** L'accessorio, se ancora in rotazione, potrebbe far presa sulla superficie e far perdere il controllo dell'utensile.
- l) **Non azionare l'utensile mentre lo si trasporta lateralmente.** Il contatto accidentale con l'accessorio in rotazione potrebbe far catturare parti degli indumenti, che verrebbero trascinati all'interno dell'accessorio.
- m) **Pulire con regolarità le aperture per la ventilazione dell'utensile.** Le ventole del motore aspirano all'interno della scocca la polvere, e un accumulo eccessivo di polvere può esporre al rischio di folgorazioni.
- n) **Non azionare l'utensile in prossimità di materiali infiammabili.** Le scintille potrebbero provocare l'accensione di tali materiali.
- o) **Non usare accessori che richiedono refrigeranti liquidi.** L'uso di refrigeranti liquidi, quali acqua o altri liquidi, può esporre al rischio di folgorazione elettrica.
- p) **La mano dell'utente deve essere sull'impugnatura mentre si lavora.** Usare sempre le impugnature ausiliarie in dotazione con l'apparecchio. Una perdita del controllo potrebbe causare lesioni alla persona.
- q) **La mano deve tenere il manico quando si lavora.** Utilizzare sempre le maniglie ausiliarie fornite con l'utensile. La perdita di controllo può causare lesioni personali

ALTRE ISTRUZIONI SULLA SICUREZZA PER OGNI TIPO DI FUNZIONAMENTO

Il rischio di rimbalzo indietro e avvisi relativi

Il rimbalzo indietro è una reazione improvvisa causata dall'inceppamento di un disco, di un supporto per tampone, di un a spazzola o di un qualsiasi altro accessorio. L'inceppamento mette il disco in una condizione di stallo temporaneo e in al conseguente movimento incontrollato in direzione opposta dell'accessorio in rotazione, nel punto in cui si è verificato l'inceppamento.

Ad esempio, se un disco abrasivo si inceppa nel pezzo in lavorazione, il bordo esterno del disco che sta penetrando nel punto in cui si verifica l'inceppamento

può affondare di più nella superficie del materiale, e di conseguenza il disco potrebbe saltare indietro. Il disco può saltare verso l'operatore o allontanarsi da esso, in relazione alla direzione di rotazione del disco nel punto in cui si verifica l'inceppamento. Inoltre i dischi abrasivi possono rompersi in queste condizioni. Il rimbalzo indietro è il risultato di un uso e/o procedure errate, o di condizioni che possono essere evitate se si adottano le misure di sicurezza fornite di seguito.

- a) **Mantenere una presa salda sull'utensile e posizionare corpo e braccio in modo da opporre resistenza ad un eventuale rimbalzo. Utilizzare sempre le impugnature ausiliarie, se fornite, per esercitare il controllo massimo in caso di rimbalzo indietro o di reazioni all'avvio.** L'operatore è in grado di controllare eventuali rimbalzi indietro, se si sono prese le misure adeguate.
- b) **Non posizionare mai la propria mano in prossimità dell'accessorio in rotazione.** Gli accessori possono rimbalzare e colpire la mano.
- c) **Non posizionare il proprio corpo in una zona in cui probabilmente potrebbe arrivare l'utensile in caso di rimbalzo indietro.** In caso di rimbalzo, l'utensile viene spinto in direzione opposta a quella del movimento del disco nel punto in cui si verifica l'inceppamento.
- d) **Prestare attenzione particolare quando si opera su angoli, bordi acuminati, ecc., evitare di avvicinare l'accessorio facendolo rimbalzare.** Angoli, bordi acuminati hanno la tendenza a far rimbalzare l'accessorio con conseguente perdita del controllo o rimbalzo indietro.
- e) **Non fissare una lama di sega a nastro o una lama di sega dentata.** *Questo tipo di lama crea frequenti rimbalzi all'indietro con conseguente perdita del controllo.*

ALTRE ISTRUZIONI SULLA SICUREZZA PER MOLATURA E TAGLIO

Avvisi di sicurezza specifici per le operazioni di smerigliatura e taglio con abrasione:

- a) **Usare solo i dischi del tipo di quelli consigliati per questo utensile e la protezione specifica per il disco selezionato.** Non è possibile proteggere in modo adeguati dischi non realizzati per questo utensile,, che pertanto risultano essere poco sicuri.
- b) **La superficie di smerigliature delle mole premmute al centro deve essere montata sotto il piano del labbro di protezione.** *Una mola montata in modo non corretto che si proietta sul piano del labbro di protezione non può essere protetta adeguatamente.*
- c) **La protezione deve essere fissata bene all'utensile e posizionata in modo tale da garantire la massima sicurezza, in modo da esporre verso l'operatore una porzione ridotta del disco.** La protezione aiuta a

proteggere l'operatore da eventuali frammenti provenienti dalla rottura del disco e evita il contatto accidentale con il disco.

- d) I dischi devono essere utilizzati solo per le applicazioni specifiche per le quali sono stati realizzati. Ad esempio: non smerigliare con il fianco di dischi di taglio.**

I dischi abrasivi da taglio sono realizzati per smerigliare sul diametro, e le forze applicati sui lati possono farli saltare sulla superficie di lavoro.

- e) Utilizzare sempre flangie delle dimensioni e forma corretti per il disco selezionato.**

Le flangie idonee supportano il disco, riducendo così la possibilità di rottura del disco. La flangie per i dischi da taglio possono essere diverse dalle flangie per i dischi destinati alla smerigliatura.

- f) Non utilizzare dischi consumati, provenienti da utensili di dimensioni maggiori.** I dischi realizzati per utensili di dimensioni maggiori non sono idonei per le velocità più elevate di utensili più piccoli e potrebbero rompersi.

ALTRE ISTRUZIONI SULLA SICUREZZA PER TAGLIO


Altri avvisi di sicurezza specifici per le operazioni di taglio per abrasione:

- a) Evitare che il disco di taglio si inceppi e non applicare una pressione eccessiva. Evitare di fare tagli troppo profondi.** Se si sottopone a stress eccessivo il disco, si aumentano le possibilità che il disco si pieghi con conseguente rischio di rimbalzo indietro o di rottura del disco.
- b) Non posizionare il proprio corpo in linea e dietro il disco.** Quando il disco, nel punto di lavoro viene allontanato dal proprio corpo, il possibile rimbalzo può far sbatter il disco in rotazione e l'utensile direttamente sul corpo dell'operatore.
- c) Se il disco si sta piegando o quando si interrompe il taglio per una qualsiasi ragione, spegnere e l'utensile e tenerlo fino all'arresto complete del disco . Non tentare mai di togliere il disco di taglio dal taglio mentre il disco è ancora in movimento, in caso contrario si rischia il rimbalzo all'indietro.** Eliminare le cause probabili che hanno portato alla piegatura del disco.
- d) Non riavviare l'operazione di taglio del pezzo. Attendere che il disco sia arrivato alla velocità massima e rientrare nel taglio con attenzione.** Se l'utensile viene riavviato all'interno del taglio, il disco potrebbe piegarsi, saltare in avanti o rimbalzare indietro.
- e) Sostenere pannelli e qualsiasi oggetto di lavorazione di grandi dimensioni per evitare che il disco si blocchi e causi un rimbalzo indietro.** Gli oggetti di grandi dimensioni tendono a piegarsi sotto il proprio peso. Collocare dei sostegni sotto l'oggetto in prossimità della linea di taglio, su entrambi i lati

del disco.

- f) Prestare particolare attenzione nella esecuzione di tagli cechi in pareti o altre parti non a vista.** Il disco potrebbe tagliare tubazioni dell'acqua o del gas, cavi elettrici o altri oggetti che potrebbero provocare il rimbalzo indietro dell'apparecchiatura.

SIMBOLI

	Per ridurre il rischio di lesioni, l'utente deve leggere il manuale di istruzioni
	Classe protezione
	Attenzione
	Indossare protezione per le orecchie
	Indossare protezione per gli occhi
	Indossare una mascherina antipolvere
	Indossare guanti protettivi
	Prima di qualunque intervento alla macchina, estrarre la spina dalla presa di rete.
	I prodotti elettrici non possono essere gettati tra i rifiuti domestici. L'apparecchio da rottamare deve essere portato al centro di riciclaggio per un corretto trattamento. Controllare con le autorità locali o con il rivenditore per localizzare il centro di riciclaggio più vicino.

ELEMENTI DELL'APPARECCHIO


- PULSANTE DI BLOCCO PERNO**
- PARAFANGO PER MACINATURA**
- IMPUGNATURA SUPPLEMENTARE**
- INTERRUTTORE DI AVVIO/ARRESTO**
- FILTRO DELL'ARIA**

6. FLANGIA ESTERNA
7. FLANGIA INTERNA
8. MANDRINO PORTAMOLA
9. CHIAVE

* **Accessori illustrati o descritti non fanno necessariamente parte del volume di consegna.**

DATI TECNICI

Codice **KUS10P KUS05P (S10P/S05P- designazione del macchinario rappresentativo del Smerigliatrice angolare)**

	KUS10P	KUS05P
Tensione Nominale	230-240V-50Hz	
Potenza nominale	900W	
Velocità a Vuoto Nominale	11000/min	
Classe protezione		
Filettatura perno	M14	
Diametro disco	125mm	115mm
Diametro interno disco	22.2mm	
Peso	1.5kg	

ACCESSORI

Chiave	1
Impugnatura supplementare	1
Parafango per macinatura	1

Si raccomanda di acquistare tutti gli accessori nello stesso negozio in cui è stato acquistato l'attrezzo. Usare accessori di buona qualità e di marca sconosciuta. Fare riferimento alla confezione dell'accessorio per altri dettagli. Il personale del negozio può aiutarvi e consigliarvi.

INFORMAZIONI SUL RUMORE

Pressione sonora ponderata A	$L_{pA} = 94,3 \text{ dB(A)}$
Potenza sonora ponderata A	$L_{WA} = 105,3 \text{ dB(A)}$
$K_{pA} \& K_{WA}$	3 dB(A)

Indossare protezione per le orecchie.



INFORMAZIONI SULLA VIBRAZIONE

I valori totali di vibrazione sono determinati secondo lo standard EN 60745:

Rettifica superficiale	Valore emissione vibrazioni $a_{h,AG} = 8,14 \text{ m/s}^2$
	Incertezza $K = 1.5 \text{ m/s}^2$

– Il valore dichiarato totale delle vibrazioni si misura secondo un metodo di prova standard e può essere utilizzato per confrontare un utensile con un altro;
– Si può usare il valore totale della vibrazione dichiarata per rapportare un attrezzo all'altro e anche come verifica preliminare dell'esposizione.

AVVERTENZA: Il valore delle vibrazioni emesse durante il reale utilizzo dello strumento può differire dal valore dichiarato in base ai modi con cui viene usato lo strumento, ai seguenti esempi e ad altre variabili:

Come viene usato l'apparecchio e i materiali tagliati o forati.

Le condizioni e la buona manutenzione dello strumento. L'uso dell'accessorio corretto per il taglio e la sua affilatura, nonché le sue buone condizioni.

La stretta sull'impugnatura e l'eventuale utilizzo di accessori antivibrazione.

L'adeguatezza dell'utilizzo dell'utensile rispetto a quanto previsto.

Questo strumento potrebbe causare la sindrome da vibrazioni mano-braccio se il suo utilizzo non viene gestito correttamente.

AVVERTENZA: Per essere precisi, una stima del livello di esposizione nelle attuali condizioni di utilizzo dovrebbe anche tenere conto di tutte le parti del ciclo operativo, come le volte in cui lo strumento viene spento e il tempo in cui viene lasciato girare a vuoto senza realmente fare il suo lavoro. Questo potrebbe ridurre significativamente il livello di esposizione sul periodo di lavoro totale.

Un aiuto a minimizzare il proprio rischio di esposizione alle vibrazioni.

USARE sempre scalpelli, trapani e lame affilati.

Conservare questo strumento sempre in conformità a queste istruzioni e mantenerlo ben lubrificato (dove appropriato).

Se lo strumento deve essere usato regolarmente, investire in accessori antivibrazione.

Pianificare il programma di lavoro in modo da suddividere i lavori che implicano le maggiori vibrazioni nell'arco di più giorni.

ISTRUZIONI SUL FUNZIONAMENTO





NOTA: Leggere scrupolosamente il manuale delle istruzioni prima di usare l'attrezzo

Uso conforme alle norme

La macchina è idonea per troncare, sgrossare e spazzolare a secco materiali metallici e materiali pietrosi. Per eseguire tagli su pietra è obbligatorio utilizzare una slitta di guida.

MONTAGGIO E FUNZIONAMENTO

AZIONE	FIGURA
MONTAGGIO	
Assemblaggio dell'impugnatura ausiliaria Avvertimento! Utilizzare sempre l'impugnatura ausiliaria durante l'operazione della macchina.	Vedere Figura. A
Assemblaggio del disco di macinatura / taglio	Vedere Figura. B
Regolazione del bloccaggio della flangia esterna	Vedere Figura. C1, C2
Regolazione del parafrangente Nota: prima di qualsiasi intervento sulla macchina stessa, estrarre la spina di alimentazione. Per lavorare con i dischi di macinatura o di taglio, è necessario montare il parafrangente. Posizionare il parafrangente nella scanalatura sul collare del mandrino e ruotarlo nella posizione di lavoro richiesta. Fissare la protezione con la vite. Il disco di macinatura deve ruotare liberamente all'interno del parafrangente. Il lato chiuso del parafrangente deve sempre essere rivolto verso l'operatore.	Vedere Figura. D
OPERAZIONE	
Utilizzo dell'interruttore On/Off	Vedere Figura. E
Aree di presa manuale	Vedere Figura. F
Macinatura ruvida  Avvertimento! Non utilizzare mai un disco per la sgrossatura.	
Taglio  Avvertimento! Per tagliare il metallo, lavorare sempre con la protezione della ruota per tagliare.	Vedere Figura. G

Spazzole di carbone Auto-Arresto

Nota: quando la punta isolante in resina (11) all'interno della spazzola di carbone (12) viene esposta a contatto con il commutatore (10), spegnerà automaticamente il motore. In questo caso, bisogna sostituire entrambe le spazzole di carbone. Mantenere le spazzole di carbone pulite e libere di scorrere nei supporti. Entrambe le spazzole di carbone devono essere sostituite allo stesso tempo. Utilizzare solo spazzole di carbone identiche.

Vedere Figura. H

Pulizia regolare del filtro dell'aria

Nota: il filtro dell'aria deve essere pulito dopo l'utilizzo della macchina per un po'.

Vedere Figura. I

SUGGERIMENTI OPERATIVI PER LA SMERIGLIATRICE ANGOLARE

Se l'apparecchio elettrico si surriscalda, far funzionare senza carico per 2-3 minuti per raffreddare il motore. Non avviare mai la smerigliatrice angolare con il disco o l'accessorio in contatto con il pezzo da lavorare. Avviarla sempre senza carico per raggiungere la velocità massima, quindi cominciare la lavorazione. Non forzare il disco a lavorare più velocemente; una velocità inferiore significa una maggiore durata. Posizionare sempre il disco a un angolo di 15-30 gradi rispetto al pezzo da lavorare. Un angolo maggiore causerà la formazione di solchi nel pezzo e rovinerà la finitura della superficie. Spostare la smerigliatrice angolare sul pezzo da lavorare in tutte le direzioni. Quando si utilizza un disco di taglio, non cambiare mai l'angolo di taglio; si rischia di bloccare il disco e il motore della smerigliatrice o di rompere il disco. Mentre si taglia, spostare il disco unicamente nella direzione opposta rispetto alla sua rotazione. Se lo si sposta nella stessa direzione della rotazione, il disco potrebbe balzare fuori dalla fessura di taglio. Per tagliare del materiale molto duro, si ottengono i risultati migliori con un disco diamantato. Il disco diamantato può surriscaldarsi con l'uso. In tal caso si vedrà un anello di scintille attorno al disco in rotazione. Interrompere l'operazione di taglio e attendere che il disco si raffreddi facendolo ruotare senza carico per 2-3 minuti. Verificare sempre che il pezzo da lavorare sia fissato saldamente per evitare che si sposti durante la lavorazione.

MANUTENZIONE



Rimuovere la spina dalla presa di corrente prima di eseguire qualsiasi regolazione, riparazione o manutenzione.

L'attrezzo non richiede di lubrificazione o manutenzione aggiuntiva.

All'interno dell'attrezzo non ci sono parti riparabili da parte dell'utente. Non usare mai acqua o detergenti chimici per pulire l'attrezzo. Pulire con un panno asciutto. Immagazzinare sempre gli attrezzi elettrici in luoghi asciutti. Tenere pulite le aperture di ventilazione del motore. Tenere puliti dalla polvere tutti i controlli operativi. La formazione di scintille all'interno delle aperture di ventilazione, è un fenomeno normale che non crea danni all'attrezzo.

Se il cavo d'alimentazione è danneggiato, deve essere sostituito dal produttore, il suo distributore o persona egualmente qualificata per evitare pericoli.

TUTELA AMBIENTALE

 I prodotti elettrici non possono essere gettati tra i rifiuti domestici. L'apparecchio da rottamare  deve essere portato al centro di riciclaggio per un corretto trattamento. Controllare con le autorità locali o con il rivenditore per localizzare il centro di riciclaggio più vicino.

DICHIARAZIONE DI CONFORMITÀ

NOI
Positec Germany GmbH
Postfach 32 02 16, 50796 Cologne, Germany

Dichiara che l'apparecchio ,
Descrizione **Smerigliatrice angolare**
Codice **KUS10P KUS05P (S10P/S05P-
designazione del macchinario rappresentativo
del Smerigliatrice angolare)**
Funzione **Smerigliatura periferica e laterale**

**È conforme alle seguenti direttive,
2006/42/EC
2011/65/EU&(EU)2015/863
2014/30/EU**

conforme a
EN 55014-1
EN 55014-2
EN IEC 61000-3-2
EN 61000-3-3
EN 60745-1
EN 60745-2-3

Il responsabile autorizzato alla compilazione della documentazione tecnica,

Nome Marcel Filz
Indirizzo Positec Germany GmbH
Postfach 32 02 16, 50796 Cologne, Germany



2022/06/22
Allen Ding
Vice capo ingegnere, testing e certificazione
Positec Technology (China) Co., Ltd
18, Dongwang Road, Suzhou Industrial
Park, Jiangsu 215123, P. R. China

MANUAL ORIGINAL

ADVERTENCIA DE SEGURIDAD GENERALES SOBRE HERRAMIENTAS ELÉCTRICAS



¡ Advertencia! Leer todas las instrucciones.

Si no se respetan las instrucciones, existe un riesgo de descargas eléctricas, de incendio y/o de graves heridas.

Conserve todas las advertencias e instrucciones para futuras consultas.

El término "herramienta eléctrica" en todas las advertencias siguientes corresponde a la herramienta eléctrica con o sin cable.

1) ZONA DE TRABAJO

- a) **Mantener su lugar de trabajo limpio y bien iluminado.** Bancos de trabajo desordenados y lugares oscuros invitan a los accidentes.
- b) **No utilizar herramientas eléctricas en atmósferas explosivas, como por ejemplo en presencia de líquidos inflamables, gases o polvo.** Las herramientas eléctricas crean chispas que pueden encender el polvo o los vapores.
- c) **Mantener alejados a los niños y visitantes mientras opera una herramienta eléctrica.** Las distracciones pueden hacerle perder el control.

2) SEGURIDAD ELÉCTRICA

- a) **Los enchufes de la herramienta eléctrica deben encajar perfectamente en el tomacorriente. Nunca modificar el enchufe de ninguna manera. No utilizar adaptadores con herramientas eléctricas conectadas a tierra.** Los enchufes no modificados y los que encajan perfectamente en el tomacorriente reducirán el riesgo de descarga eléctrica
- b) **Evitar el contacto del cuerpo con superficies conectadas a tierra tales como caños, radiadores, cocinas y heladeras.** Existe un riesgo creciente de descarga eléctrica si su cuerpo queda conectado a tierra.
- c) **No exponer las herramientas eléctricas a la lluvia y no guardar en lugares húmedos.** El agua que penetra en ellas aumentará el riesgo de una descarga eléctrica.
- d) **No abusar del cable. Nunca utilizar el cable para transportar, tirar o desenchufar la herramienta eléctrica. Mantener el cable alejado del calor, del aceite, de bordes agudos o piezas móviles.** Los cables dañados o enredados aumentan el riesgo de descarga eléctrica.
- e) **Cuando utilice su herramienta eléctrica al aire libre, emplear un prolongador apto para uso en exteriores.** El empleo de cables para uso al aire libre reduce el riesgo de descarga eléctrica.
- f) **Si es necesario utilizar la herramienta motorizada en un lugar muy húmedo,**

utilice una fuente de alimentación con dispositivo de corriente residual (RCD). El uso de un RCD reduce el riesgo de descarga eléctrica.

3) SEGURIDAD PERSONAL

- a) **Mantenerse alerta, poner atención en lo que está haciendo y utilice el sentido común mientras opera una herramienta eléctrica. No emplear la herramienta cuando se encuentre cansado o bajo la influencia de drogas, alcohol o medicación.** Un momento de falta de atención durante el manejo de herramientas eléctricas puede dar lugar a daños corporales serios.
 - b) **Utilizar equipo de seguridad. Usar siempre protección ocular.** Equipo de seguridad como máscaras contra el polvo, zapatos antideslizantes de seguridad, sombrero o protección auditiva para condiciones apropiadas reducirá daños corporales.
 - c) **Evite el arranque accidental. Asegúrese de que el interruptor se encuentra desactivado antes de enchufar la máquina o colocar la batería, al tomar la herramienta o transportarla.** Transportar herramientas con el dedo en el interruptor o enchufar la herramienta cuando el interruptor está encendido invitan a los accidentes.
 - d) **Retire llaves de ajuste o llaves inglesas antes de poner la herramienta en funcionamiento.** Una llave que queda unida a una pieza móvil de la herramienta puede originar daños corporales.
 - e) **No extralimitarse. Mantenerse firme y con buen equilibrio en todo momento.** Esto permite un mejor control de la herramienta en situaciones inesperadas.
 - f) **Vestirse apropiadamente. No usar ropa suelta ni alhajas. Mantener su cabello, ropa y guantes alejados de las piezas móviles.** La ropa suelta, las alhajas o el cabello largo pueden ser atrapados por las piezas móviles.
 - g) **Si se proporcionan dispositivos para la extracción y recolección de polvo, asegurarse de que estos estén conectados y utilizados correctamente.** El uso de estos dispositivos puede reducir peligros relacionados con el polvo.
- ### 4) MANTENIMIENTO de la HERRAMIENTA MOTORIZADA
- a) **No forzar la herramienta eléctrica. Utilizar la herramienta eléctrica correcta para su aplicación.** La herramienta eléctrica correcta hará el trabajo mejor y más seguro a la velocidad para la cual fue diseñada.
 - b) **No utilizar la herramienta eléctrica si el interruptor no la enciende o apaga.** Cualquier herramienta eléctrica que no pueda ser controlada con el interruptor es peligrosa y debe ser reparada.
 - c) **Desconecte el enchufe de la toma eléctrica y/o la batería de la herramienta antes de realizar cualquier ajuste, cambiar un accesorio o guardar la**

- herramienta.** Tales medidas de seguridad preventivas reducen el riesgo de arranque accidental de la herramienta.
- d) Mantener las herramientas eléctricas que no usa fuera del alcance de los niños y no permita que personas no familiarizadas con la herramienta o con estas instrucciones maneje la herramienta eléctrica.** Las herramientas eléctricas son peligrosas en manos de usuarios inexpertos.
- e) Revisar las herramientas eléctricas. Comprobar si hay desalineamiento o atascamiento de piezas móviles, rotura de piezas en general y cualquier otra condición que pueda afectar la operación normal de la herramienta. Si se verifican daños, recurra a un service calificado antes de volver a usar la herramienta.** Las herramientas mal mantenidas causan muchos accidentes.
- f) Mantener las piezas de corte limpias y afiladas.** Puesto que son menos probables de atascarse y más fáciles de controlar.
- g) Utilizar la herramienta eléctrica, accesorios y brocas etc., de acuerdo con estas instrucciones y de la manera prevista para el tipo particular de herramienta eléctrica, teniendo en cuenta las condiciones de trabajo y el trabajo a ser realizado.** El uso de la herramienta eléctrica para otras operaciones distintas de lo previsto podría dar lugar a una situación peligrosa.
- 5) reparación**
- a) Permitir que el mantenimiento de su herramienta eléctrica sea efectuado por una persona calificada usando solamente piezas de recambio idénticas.** Esto es primordial para mantener la seguridad de la herramienta eléctrica.
- c) No utilice accesorios que no hayan sido diseñados y recomendados específicamente por el fabricante de la herramienta.** El hecho de que pueda colocar un accesorio en su herramienta no implica que su uso sea seguro.
- d) La velocidad nominal del accesorio debe ser al menos igual a la velocidad máxima marcada en la herramienta.** Los accesorios que funcionen por encima de su velocidad nominal podrían salir disparados.
- e) El diámetro exterior y el grosor del accesorio debe encontrarse dentro de la capacidad de su herramienta.** Los accesorios del tamaño incorrecto no podrán protegerse y controlarse correctamente.
- f) Los útiles de fijación a rosca deberán ajustar exactamente en la rosca del husillo. En los útiles de fijación por brida su diámetro de encaje deberá ser compatible con el de alojamiento en la brida.** Los útiles que no vayan fijados exactamente sobre la herramienta eléctrica giran descentrados, vibran mucho, y pueden hacerle perder el control sobre el aparato.
- g) No utilice un accesorio dañado. Antes de cada uso, inspeccione el accesorio en busca de defectos: las ruedas abrasivas con grietas o residuos, los paneles de apoyo con grietas, deterioros o desgaste excesivo. Si se deja caer la herramienta, inspeccione los daños o instale un accesorio nuevo. Después de inspeccionar e instalar un accesorio, colóquese usted mismo y a todos los observadores lejos del plano de rotación del accesorio y ponga la herramienta en funcionamiento a la máxima velocidad sin carga durante un minuto.** Los accesorios dañados suelen romperse durante esta prueba.
- h) Utilice equipamiento de protección personal. Dependiendo de la aplicación, utilice escudos faciales, gafas de seguridad o protección ocular. Si es necesario, utilice una máscara antipolvo, protectores auditivos, guantes y delantal que permitan detener los pequeños fragmentos abrasivos.** La protección ocular debe detener los residuos voladores generados por las distintas operaciones. La máscara antipolvo o el respirador deben ser capaces de filtrar partículas generadas por el uso. La exposición prolongada a ruidos de alta intensidad podría provocar problemas auditivos.
- i) Mantenga a los observadores a una distancia segura, alejados del área de trabajo. Cualquier persona que penetre en el área de trabajo debe utilizar equipamiento de protección personal.** Los fragmentos de una pieza de trabajo o un accesorio roto podrían volar y causar lesiones lejos del área inmediata de uso.
- j) Sostenga la herramienta únicamente por medio de superficies aislantes, al realizar una operación en la que el accesorio de corte pueda entrar en contacto con cableado oculto o con su propio cable. Su**

INSTRUCCIONES ADICIONALES DE SEGURIDAD PARA SU AMOLADORA EN ÁNGULO:

Advertencias de seguridad comunes para operaciones de amoladura o corte abrasivo:

- a) Esta herramienta eléctrica ha sido diseñada para funcionar como amoladora, o herramienta de corte. Familiarícese con todas las advertencias e instrucciones de seguridad, ilustraciones y especificaciones proporcionadas con esta herramienta.** Si no sigue las instrucciones que se presentan a continuación podrían producirse descargas eléctricas, incendios y/o serias lesiones.
- b) No se recomienda realizar operaciones de lijado, cepillado metálico, pulido con esta herramienta.** Las operaciones para las que la herramienta no ha sido diseñada podrían suponer un riesgo y causar lesiones personales.

el accesorio de corte entra en contacto con un cable "activo", podría generar una descarga hacia el usuario.

- k) **Coloque el cable lejos de los accesorios giratorios.** Si pierde el control, el cable podría cortarse o quedar atascado, arrastrando su mano o brazo hacia el accesorio giratorio.
- l) **No deposite la herramienta hasta que el accesorio se haya detenido por completo.** El accesorio giratorio podría arrastrar la superficie y tirar de la herramienta fuera de su control.
- m) **No utilice la herramienta mientras la transporta a un lado.** El contacto accidental con el accesorio giratorio podría arrastrar su ropa, atrayendo el accesorio hacia su cuerpo.
- n) **Limpie regularmente las ventilaciones de la herramienta.** El ventilador del motor arrastra el polvo hacia el interior de la carcasa, y la acumulación excesiva de polvo metálico podría generar riesgos eléctricos.
- o) **No utilice la herramienta cerca de materiales inflamables.** Las chispas podrían prender los materiales.
- p) **No utilice accesorios que requieran refrigerantes líquidos.** El uso de agua u otros refrigerantes líquidos podría provocar una electrocución o descarga.
- q) **Sostenga el asa con la mano mientras trabaja.** Utilice siempre las asas auxiliares suministradas con la herramienta. La pérdida de control podría provocar lesiones personales.

adecuadas.

- b) **Nunca coloque las manos cerca del accesorio giratorio.** El accesorio podría retroceder sobre su mano.
- c) **No coloque su cuerpo en el área en el que pueda producirse un retroceso de la herramienta,** la fuerza de retroceso empujará la herramienta en dirección opuesta al movimiento de la rueda en el punto del atasco.
- d) **Tenga especial cuidado al trabajar en esquinas, bordes afilados, etc. Evite hacer rebotar el accesorio.** Las esquinas, bordes afilados o botes tienen tendencia a atascar el accesorio giratorio y causan la pérdida de control o el retroceso.
- e) **No instale una hoja de labrado de madera de cadena de sierra u hoja de sierra dentada.** Con frecuencia, dichas hojas crean fuerzas de retroceso y situaciones de pérdida de control.

INSTRUCCIONES DE SEGURIDAD ADICIONALES PARA OPERACIONES DE AMOLADURA Y CORTE

Advertencias de seguridad específicas de las operaciones de amoladura y corte abrasivo

- a) **Utilice únicamente los tipos de rueda recomendados para su herramienta y la protección específica designada para la rueda seleccionada.** Las ruedas para las que la herramienta no haya sido diseñada no quedarán correctamente protegidas y serán inseguras.
- b) **Los discos de amolar con centro deprimido deberán montarse de manera que la cara de amolado no alcance a sobresalir del borde de la caperuza de protección.** Un disco de amolar incorrectamente montado cuya cara frontal rebase el borde de la caperuza de protección no puede ser convenientemente protegido.
- c) **La protección debe encontrarse firmemente colocada sobre la herramienta y posicionada para su máxima seguridad, de forma que se exponga la menor cantidad de la rueda hacia el operador.** La protección ayuda a proteger al usuario de los fragmentos de rueda rotos, así como el contacto accidental con la rueda.
- d) **Las ruedas deben utilizarse únicamente para las aplicaciones recomendadas. Por ejemplo: no realice amoladuras con el borde de una rueda de corte.** Las ruedas de corte abrasivo se fabrican para la amoladura periférica. La aplicación de fuerza lateral sobre este tipo de ruedas puede causar su vibración.
- e) **Utilice siempre bridas de rueda sin daños, del tamaño y forma correctos para la rueda seleccionada.** Las bridas de rueda adecuadas soportan la rueda y reducen la posibilidad de rotura de la rueda. Las bridas

OTRAS INSTRUCCIONES DE SEGURIDAD PARA TODAS LAS OPERACIONES

Advertencias sobre retroceso y relacionadas

El retroceso es una reacción súbita provocada por una pieza giratoria, panel de lijado, cepillo u otro accesorio atascado. El atasco causa una rápida detención de accesorio giratorio, que a su vez provoca una fuerza sin control en la herramienta, opuesta a la dirección de giro del accesorio en el punto del atasco.

Por ejemplo, si una rueda de lijado queda atascada en la pieza de trabajo, el borde de la rueda que entra en la superficie del material podría producir un retroceso. La rueda podría saltar hacia el usuario o en dirección contraria, dependiendo de la dirección de movimiento de la rueda en el punto del atasco. Las ruedas de lijado podrían además romperse en estas condiciones. El retroceso es el resultado del mal uso de la herramienta y/o un procedimiento de uso o condición que pudiera evitarse tomando las precauciones siguientes.

- a) **Mantenga agarrada la herramienta con firmeza y coloque su cuerpo y sus brazos de forma que pueda resistir las fuerzas de retroceso. Utilice siempre el asa auxiliar, si existe, para mantener el máximo control del retroceso o la reacción de torsión durante el arranque.** El usuario puede controlar la reacción de torsión o las fuerzas de retroceso si se toman las precauciones

para ruedas de corte podrían ser diferentes de las bridas de rueda de amoladura.

- f) No utilice ruedas desgastadas de herramientas más grandes.** Las ruedas diseñadas para herramientas más grandes no son adecuadas para herramientas de mayor velocidad o más pequeñas y podrían explotar.

INSTRUCCIONES DE SEGURIDAD ADICIONALES PARA OPERACIONES DE CORTE

Advertencias de seguridad específicas adicionales para operaciones de corte abrasivo:

- a) No “atasque” la rueda de corte ni aplique presión excesiva sobre ella. No intente hacer un corte demasiado profundo.** Si fuerza la rueda aumentará la carga y la susceptibilidad de torcedura de la rueda en el corte, aumentando la posibilidad de retroceso o rotura de la rueda.
- b) No coloque su cuerpo alineado y detrás del plano de giro de la rueda.** Si la rueda y el punto de operación se mueven en sentido contrario a su cuerpo, la posible fuerza de retroceso podría lanzar la rueda y la herramienta directamente hacia usted.
- c) Si la rueda está sujeta o al interrumpir un corte por cualquier razón, desactive la herramienta y sostenga la herramienta sin movimiento hasta que se detenga por completo. No intente retirar la rueda de corte mientras se encuentre en movimiento para evitar las fuerzas de retroceso.** Investigue y tome las acciones correctoras necesarias para eliminar la causa del atasco en la rueda.
- d) No vuelva a iniciar la operación de corte con la pieza de trabajo. Deje que la rueda alcance toda la velocidad antes de comenzar el corte.** La rueda podría atascarse o provocar una fuerza de retroceso si vuelve a colocarse sobre la pieza de trabajo.
- e) Coloque paneles de apoyo o piezas de trabajo más grandes para minimizar el riesgo de atascar la rueda.** Las piezas de trabajo grandes tienden a doblarse por su propio peso. El soporte debe colocarse bajo la pieza de trabajo, cerca de la línea de corte y del borde de la pieza de trabajo, en ambos lados de la rueda.
- f) Tenga especial cuidado al realizar un corte en una pared u otra zona de la que no conozca el interior.** La rueda sobresaliente podría cortar tuberías de gas o agua, cableado eléctrico u objetos que podrían causar retrocesos.

SÍMBOLOS

	Para reducir el riesgo de lesión, lea el manual de instrucciones
	Doble aislamiento
	Advertencia
	Utilice protección auditiva
	Utilice protección ocular
	Utilice una máscara antipolvo
	Utilizar guantes de protección
	Antes de cualquier manipulación en el aparato extraer el enchufe de la red.
	Los residuos de aparatos eléctricos y electrónicos no deben depositarse en la basura doméstica. Se deben reciclar en las instalaciones especializadas. Consulte a las autoridades locales o el establecimiento para saber cómo reciclar estos productos.

35

ES

LISTA DE COMPONENTES

1. BOTÓN DE BLOQUEO DEL HUSILLO
2. CAPERUZA PROTECTORA DE RUEDA PARA AMOLAR
3. EMPUÑADURA ADICIONAL
4. INTERRUPTOR DE CONEXIÓN/DESCONEXIÓN
5. FILTRO DEL AIRE
6. ARANDELA DE FIJACIÓN
7. ARANDELA DE ASIENTO
8. HUSILLO PORTAMUELAS
9. LLAVE

Los accesorios ilustrados o descritos pueden no corresponder al material suministrado de serie con el aparato.

DATOS TÉCNICOS

**Modelo KUS10P KUS05P (S10P/S05P-
denominaciones de maquinaria, representantes
de Amoladora Angular)**

	KUS10P	KUS05P
Tensión nominal	230-240V~50Hz	
Potencia nominal	900W	
Velocidad nominal	11000/min	
Clase de protección		
Husillo	M14	
Diámetro de disco	125mm	115mm
Diámetro interior del disco	22.2mm	
Peso de la máquina	1.5kg	

ACCESSORIES

Llave	1
Caperuza protectora de rueda para amolar	1
Empuñadura adicional	1

Recomendamos que adquiera todos sus accesorios en el mismo comercio donde compró la herramienta. Consulte los estuches de los accesorios para más detalles. El personal del comercio también puede ayudar y aconsejar.

INFORMACIÓN DE RUIDO

Nivel de presión acústica ponderada $L_{pA} = 94,3 \text{ dB(A)}$

Nivel de potencia acústica ponderada $L_{wA} = 105,3 \text{ dB(A)}$

$K_{pA} \& K_{wA}$ 3 dB(A)

Utilice protección auditiva.




INFORMACIÓN DE VIBRACIÓN

Los valores totales de vibración se determinan según la norma EN60745:

Amolado de superficies	Valor de emisión de vibración $a_{h,AG} = 8,14 \text{ m/s}^2$
	Incertidumbre $K = 1.5 \text{ m/s}^2$

– El valor total de vibración declarado se ha medido de acuerdo con un método de ensayo estándar y puede utilizarse para comparar una herramienta con otra;
– El valor total de vibración declarado se puede utilizar para comparar una herramienta con otra y también en una evaluación preliminar de exposición.

 **ADVERTENCIA:** El valor de emisión de vibraciones durante el uso de la herramienta podría diferir del valor declarado dependiendo de la forma en que se use la herramienta según los ejemplos siguientes, y otras variaciones sobre el uso de la herramienta:


Cómo se utiliza la herramienta y se cortan los materiales.

Si la herramienta se encuentra en buenas condiciones de mantenimiento.

Si se utiliza el accesorio correcto para la herramienta y se garantiza que está afilado y en buenas condiciones. Si se agarran las asas firmemente y se utilizan accesorios antivibración.

Y si la herramienta se utiliza según su diseño y estas instrucciones.

Esta herramienta podría causar síndrome de vibración del brazo y la mano si no se utiliza correctamente.

 **ADVERTENCIA:** Para conseguir una mayor precisión, debe tenerse en cuenta una estimación del nivel de exposición en condiciones reales de todas las partes del ciclo de uso, como los tiempos durante los que la herramienta está apagado o cuando está en funcionamiento pero no está realizando ningún trabajo. Ello podría reducir notablemente el nivel de exposición sobre el periodo de carga total.


Ayuda a minimizar el riesgo de exposición a la vibración.

Mantenga esta herramienta de acuerdo con estas instrucciones y bien lubricada (si es necesario).

Si la herramienta se utiliza regularmente, invierta en accesorios anti vibración.

Planifique su programa de trabajo para distribuir el uso de la herramienta a lo largo de varios días.



UTILIZACIÓN REGLAMENTARIA

 **ATENCIÓN:** Antes de utilizar la herramienta, lea detenidamente el manual de instrucciones.

UTILIZACIÓN REGLAMENTARIA

El aparato ha sido proyectado para tronzar, desbastar y cepillar metales y materiales de piedra sin la aportación de agua. Para tronzar metal es necesario emplear una caperuza protectora especial para tronzar (accesorio especial).

MONTAJE Y FUNCIONAMIENTO

ACCIÓN	FIGURA
MONTAJE	
Montaje del mango auxiliar Advertencia! Utilice siempre el mango auxiliar cuando utilice la máquina.	Ver Fig. A
Montaje del disco de rectificación/corte	Ver Fig. B
Ajuste de la sujeción de la brida exterior	Ver Fig. C1, C2
Ajuste del protector de la rueda Nota: Antes de realizar cualquier trabajo en la propia máquina, tire del enchufe de red. Para trabajar con discos de rectificación o corte, se debe montar el protector de la rueda. Coloque el protector en la ranura del collar del husillo y gire a la posición de trabajo requerida. Sujete el protector con el tornillo. El disco de rectificación debe girarse libremente dentro del protector. El lado cerrado del protector de la rueda siempre debe apuntar al operador.	Ver Fig. D
OPERATON	
Uso del interruptor de encendido/apagado	Ver Fig. E
Zonas de agarre de la mano	Ver Fig. F
Molienda áspera  Advertencia! Nunca utilice un disco de corte para desbaste.	
Cortando  Advertencia! Para cortar metal, trabaje siempre con el protector de rueda para el corte.	Ver Fig. G
Cepillo de carbono de parada automática Nota: Cuando la punta aislante de resina (11) dentro del cepillo de carbono (12) esté expuesta al contacto con el conmutador (10), se apagará automáticamente el motor. Cuando esto ocurra, ambos cepillos de carbono deben de ser reemplazados. Mantenga los cepillos de carbono limpios y libres para deslizarse en los soportes. Ambos cepillos de carbono deben ser reemplazados al mismo tiempo. Utilice sólo cepillos de carbono idénticos.	Ver Fig. H

Limpieza regular del filtro de aire

Nota: El filtro de aire debe limpiarse después de utilizar la máquina durante un tiempo.

Ver Fig. I

CONSEJOS DE TRABAJO PARA SU HERRAMIENTA

Si su herramienta eléctrica se calienta demasiado, hágala funcionar sin carga durante 2-3 minutos para enfriar el motor.

Nunca encienda su amoladora angular con el disco / accesorio en contacto con la pieza de trabajo. Comience siempre sin carga para alcanzar la máxima velocidad y luego comience a trabajar.

No fuerce el disco para trabajar más rápido; la reducción de velocidad del disco significa un funcionamiento por más tiempo.

Trabaje siempre con un ángulo de 15-30 entre el disco y la pieza de trabajo. Ángulos más grandes cortarán cantos en la pieza de trabajo y afectan el acabado superficial. Desplace la amoladora angular a lo largo de la pieza, una y otra vez.

Cuando utilice un disco de corte nunca cambie el ángulo de corte, ya que así atascará el disco o el motor de la amoladora, o romperá el disco. Cuando efectúe cortes, hágalo sólo en dirección opuesta a la rotación del disco. Si corta en la misma dirección de rotación del disco, éste puede proyectarse fuera de la ranura de corte.

Cuando utilice un disco de corte, nunca cambie el ángulo de corte, ya que así atascará el disco, lo romperá o frenará el motor de la amoladora. Cuando efectúe cortes, hágalo sólo en dirección opuesta a la rotación del disco. Si corta en la misma dirección de rotación del disco, éste podría proyectarse fuera de la ranura de corte.

Cuando corte materiales muy duros, puede lograr mejores resultados con un disco de diamante.

Cuando emplee un disco del diamante este se recalientará mucho. Si esto sucede, verá un anillo de chispas alrededor del disco en movimiento. Suspended el corte y deje enfriar a velocidad sin carga durante 2-3 minutos.

Asegúrese siempre de sostener firmemente la pieza de trabajo -con o sin abrazaderas- para prevenir el movimiento.

MANTENIMIENTO

Retire el enchufe de la toma de corriente antes de efectuar cualquier ajuste, reparación o mantenimiento.

Su herramienta eléctrica no requiere de lubricación ni mantenimiento adicional. No posee piezas en su interior que deban ser reparadas por el usuario. Nunca emplee agua o productos químicos para limpiar su herramienta. Use simplemente un paño seco. Guarde siempre su herramienta en un lugar seco. Mantenga limpias las ranuras de ventilación del motor. Mantenga todos los controles de funcionamiento libres de polvo. La observación de chispas que destellan bajo

las ranuras de ventilación indica un funcionamiento normal que no dañará su herramienta.
Si el cable de alimentación está dañado deberá ser reemplazado por el fabricante, su agente de servicio o por alguna persona cualificada para evitar riesgos.

PROTECCION AMBIENTAL



Los residuos de aparatos eléctricos y electrónicos no deben depositarse en la basura doméstica. Se deben reciclar en las instalaciones especializadas. Consulte a las autoridades locales o el establecimiento para saber cómo reciclar estos productos.

DECLARACIÓN DE CONFORMIDAD

Los que reciben,
Positec Germany GmbH
Postfach 32 02 16, 50796 Cologne, Germany

Declaran que el producto
Descripción **Amoladora Angular**
Modelo **KUS10P KUS05P (S10P/S05P-
denominaciones de maquinaria, representantes
de Amoladora Angular)**
Función **afilado periférico y lateral**

38

ES

Cumple con las siguientes Directivas,
2006/42/EC
2011/65/EU&[EU]2015/863
2014/30/EU

Normativas conformes a:

EN 55014-1
EN 55014-2
EN IEC 61000-3-2
EN 61000-3-3
EN 60745-1
EN 60745-2-3

La persona autorizada para componer el archivo técnico,
Nombre Marcel Filz
Dirección Positec Germany GmbH
Postfach 32 02 16, 50796 Cologne, Germany



2022/06/22
Allen Ding
Ingeniero Jefe Adjunto.
Pruebas y Certificación.
Positec Technology (China) Co., Ltd
18, Dongwang Road, Suzhou Industrial
Park, Jiangsu 215123, P. R. China


MANUAL ORIGINAL

AVISOS GERAIS

DE SEGURANÇA

DE FERRAMENTAS

ELÉCTRICAS

 **ATENÇÃO!** Leia atentamente as seguintes instruções. A não observância destas instruções pode causar choque eléctrico, incêndio e/ou lesões graves.

Guarde estas instruções para referência futura.

Os termos “ferramenta eléctrica” utilizados em todos os avisos constantes destas instruções referem-se à sua ferramenta eléctrica accionada por corrente eléctrica (com cabo de alimentação) ou ferramenta eléctrica accionada por bateria (sem cabo de alimentação).

1) LOCAL DE TRABALHO

- a) **Mantenha o local de trabalho limpo e bem arrumado.** Áreas com pouca iluminação e desordenadas podem provocar acidentes.
- b) **Não utilize o aparelho em locais onde existam líquidos, gases ou poeiras inflamáveis e onde exista o risco de explosão.** As ferramentas eléctricas produzem faíscas que podem inflamar poeiras ou gases.
- c) **Mantenha as pessoas e particularmente as crianças afastadas da ferramenta eléctrica durante o seu funcionamento.** Qualquer distração pode fazê-lo perder o controlo do berbequim.

2) SEGURANÇA ELÉCTRICA

- a) **A ficha do berbequim deve encaixar bem na tomada de alimentação. Nunca modifique fichas, seja de que maneira for. Não utilize nenhuma ficha de adaptação com ferramentas eléctricas que tenham ligação à terra.** Fichas não modificadas e tomadas de corrente adequadas reduzem o risco de choque eléctrico
- b) **Evite o contacto do corpo com superfícies ligadas à terra como tubos, aquecedores, fogões e frigoríficos.** Existe um aumento do risco de choque eléctrico se o seu corpo estiver em contacto com a terra ou a massa.
- c) **Não exponha este equipamento à chuva ou humidade.** A infiltração de água num aparelho eléctrico aumenta o risco de choque eléctrico.
- d) **Não maltrate o cabo de alimentação. Nunca utilize o cabo para transportar, puxar ou desligar o aparelho da tomada de corrente. Mantenha o cabo afastado de fontes de calor, óleos, arestas afiadas ou peças em movimento.** Cabos danificados ou enredados aumentam o risco de choque eléctrico.
- e) **Quando trabalhar com uma ferramenta eléctrica ao ar livre, use um cabo de extensão adequado para utilização no exterior.** A utilização de um cabo adequado

para uso exterior reduz o risco de choque eléctrico.

- f) **Se não puder evitar a utilização de uma ferramenta eléctrica num local húmido, utilize uma fonte de alimentação protegida contra corrente residual.** A utilização de um dispositivo com protecção contra corrente residual reduz o risco de choque eléctrico.

3) SEGURANÇA DE PESSOAS

- a) **Esteja atento, observe o que está a fazer e seja prudente sempre que trabalhar com uma ferramenta eléctrica. Não utilize nunca uma ferramenta eléctrica quando estiver cansado ou sob a influência de drogas, álcool ou medicamentos.** Um momento de desatenção quando se utiliza uma ferramenta eléctrica pode causar lesões graves.
 - b) **Utilize equipamentos de segurança. Use sempre óculos de protecção.** Equipamentos de segurança, tais como máscaras protectoras, sapatos de sola antiderrapante, capacetes ou protecções auriculares devidamente utilizados reduzem o risco de lesões.
 - c) **Evite o arranque accidental da ferramenta. Certifique-se de que o comutador de alimentação está desligado antes de ligar a ferramenta à fonte de alimentação e/ou à bateria, antes de pegar nela ou antes de a transportar.** Se mantiver o dedo no interruptor ou accionar o aparelho enquanto este estiver ligado podem ocorrer acidentes.
 - d) **Remova quaisquer chaves de ajuste ou de porcas antes de ligar a ferramenta eléctrica.** Chaves de porcas ou de ajuste fixadas a peças móveis do berbequim podem causar lesões.
 - e) **Não exceda as suas próprias capacidades. Mantenha sempre o corpo em posição firme e de equilíbrio, o que lhe permite controlar melhor a ferramenta eléctrica em situações imprevistas.**
 - f) **Use roupa apropriada. Não use vestuário solto ou artigos de joalheria. Mantenha o cabelo, vestuário e luvas afastados de peças em movimento.** Roupas soltas, artigos de joalheria ou cabelos compridos podem ser agarrados por peças em movimento.
 - g) **Se forem fornecidos dispositivos para a montagem de unidades de extracção ou recolha de resíduos, Assegure-se de que são montados e utilizados adequadamente.** A utilização destes dispositivos pode reduzir os perigos relacionados com a presença de resíduos.
- #### 4) UTILIZAÇÃO E MANUTENÇÃO DA FERRAMENTA ELÉCTRICA
- a) **Não force a ferramenta. Utilize a ferramenta eléctrica apropriada para cada aplicação.** A utilização da ferramenta eléctrica apropriada executa o trabalho de forma melhor e mais segura, à velocidade para a qual foi concebida.
 - b) **Não utilize esta ferramenta se o interruptor estiver deficiente, não ligando ou desligando.** Qualquer ferramenta eléctrica

que não possa ser controlada pelo interruptor é perigosa e deve ser reparada.

- c) **Desligue a ficha da fonte de alimentação e/ou remova a bateria da ferramenta antes de proceder a quaisquer ajustes, antes de mudar de acessórios ou antes de guardar a ferramenta.** Estas medidas de segurança preventivas reduzem o risco de activação accidental da ferramenta.
- d) **Quando não estiver a usar a ferramenta eléctrica, guarde-a fora do alcance das crianças e não deixe que esta seja utilizada por pessoas que não a conheçam, nem tenham lido as instruções.** As ferramentas eléctricas são perigosas nas mãos de utilizadores inexperientes.
- e) **Faça a manutenção de ferramentas eléctricas. Verifique quaisquer desalinhamentos, encaixes de peças móveis, quebras e outras condições que possam afectar o funcionamento. Se esta ferramenta estiver avariada, mande-a reparar antes a utilizar.** Muitos acidentes são causados pela manutenção deficiente de ferramentas eléctricas.
- f) **Mantenha as ferramentas de corte limpas e afiadas.** As ferramentas de corte com manutenção adequada e arestas de corte afiadas têm menos probabilidades bloquear e são mais fáceis de controlar.
- g) **Utilize a ferramenta eléctrica, acessórios, brocas, etc. em conformidade com estas instruções e da forma prevista para este tipo específico de ferramenta, tendo em conta as condições presentes e o trabalho a executar.** A utilização de ferramentas eléctricas para aplicações diferentes daquelas a que se destinam pode levar a situações de perigo.

5) ASSISTÊNCIA TÉCNICA

- a) **A sua ferramenta eléctrica só deve ser reparada por um técnico de assistência qualificado e devem ser apenas utilizadas peças de substituição genuínas, mantendo assim a segurança da ferramenta.**

NORMAS DE SEGURANÇA ADICIONAIS PARA A SUA REBARBADORA ANGULAR

Avisos de segurança comuns para rebarbar ou cortar com ferramenta abrasiva:

- a) **Esta ferramenta eléctrica destina-se a funcionar como uma afiadora, ou ferramenta de corte. Leia todos os avisos de segurança, instruções, ilustrações e especificações fornecidas com esta ferramenta eléctrica.** O não seguimento de todas as instruções listadas em baixo pode resultar em choque eléctrico, dar origem a um incêndio e/ou a ferimentos graves.
- b) **Não recomendamos a realização do**

seguinte tipo de operações com esta ferramenta eléctrica: lixar, escovar

escova metálica, ou polir. A utilização desta ferramenta na realização de tarefas para as quais a mesma não foi concebida é perigosa e pode causar ferimentos pessoais

- c) **Não utilize acessórios que não tenham sido especificamente concebidos e recomendados pelo fabricante.** O facto de um qualquer acessório poder ser colocado na sua ferramenta eléctrica não garante um funcionamento seguro por parte deste.
- d) **A velocidade do acessório deve corresponder, pelo menos, à velocidade máxima assinalada na ferramenta eléctrica.** A utilização de acessórios a uma velocidade superior àquela para a qual estes foram concebidos pode levar à desintegração dos mesmos.
- e) **O diâmetro exterior e a espessura do acessório deve corresponder à capacidade da sua ferramenta eléctrica.** A utilização de acessórios de tamanho não adequado não permite um correcto controlo ou protecção dos mesmos.
- f) **Os discos, as falanges, os suportes ou qualquer outro acessório deve encaixar sem problemas no veio da ferramenta eléctrica.** Os acessórios com orifícios para encaixe que não correspondam aos orifícios existentes na ferramenta eléctrica ficarão desequilibrados, podem vibrar excessivamente e causar a perda de controlo da ferramenta.
- g) **Não utilize acessórios que estejam danificados. Antes de cada utilização, verifique o acessório. Os discos abrasivos devem ser verificados para ver se estas apresentam falhas ou rachas, os suportes devem ser verificados para ver se apresentam falhas ou sinais de um desgaste excessivo. Se deixar cair a ferramenta eléctrica ou o acessório, determine se houve danos ou instale um acessório que não esteja danificado. Após a inspeção e instalação de um acessório posicione-se, juntamente com quaisquer outras pessoas, afastado da linha de rotação do acessório e ponha a ferramenta eléctrica a funcionar à velocidade máxima sem carga durante um minuto.** Os acessórios que estejam danificados quebram-se geralmente durante este período de teste.
- h) **Utilize equipamento de protecção. Dependendo da tarefa a realizar, utilize uma máscara ou óculos de protecção. Se necessário, use uma máscara contra o pó, tampões para os ouvidos, luvas e um avental forte capaz de o proteger contra partículas abrasivas pequenas ou outros fragmentos.** O equipamento de protecção ocular deve ter capacidade para apanhar os detritos resultantes dos vários tipos de tarefas realizadas. A máscara contra o pó ou o filtro deve ser capaz de filtrar as partículas resultantes da tarefa que estiver a executar. Uma exposição prolongada a ruídos de grande intensidade pode causar perda de audição.

- i) **Mantenha todas as outras pessoas a uma distância segura da área de trabalho. Qualquer pessoa que entre na área de trabalho deve usar equipamento de protecção pessoal.** Os fragmentos resultantes da peça em que está a trabalhar ou de um acessório que se tenha partido podem atingir alguém e causar ferimentos nas pessoas que se encontrem nas imediações da área de trabalho.
- j) **Ao realizar uma tarefa em que o acessório de corte possa entrar em contacto com fios eléctricos que estejam ocultos ou com o próprio cabo de alimentação, segure na ferramenta eléctrica usando apenas as superfícies próprias para o efeito.** O acessório de corte pode entrar em contacto com um fio eléctrico vivo o que por sua vez pode fazer com que as partes metálicas da ferramenta fiquem electrificadas e fazer com que o utilizador desta sofra um choque eléctrico.
- k) **Posicione o cabo de forma a que este fique afastado do acessório em rotação.** Se perder o controlo da ferramenta, o cabo pode ser cortado ou puxado e a mão ou braço do utilizador ser puxado na direcção do acessório em rotação.
- l) **Nunca pouse a ferramenta eléctrica até o acessório que estava a usar ter parado completamente.** Este pode entrar em contacto com a superfície sobre a qual colocou a ferramenta e fazer com que esta fique fora do seu controlo.
- m) **Não transporte a ferramenta ao lado do seu corpo quando esta estiver a funcionar.** O contacto acidental com o acessório em rotação pode prender a sua roupa e puxar o acessório na direcção do seu corpo.
- n) **Limpe regularmente as ranhuras de ventilação da sua ferramenta eléctrica.** A ventoinha do motor puxa pó para o interior da ferramenta e uma acumulação excessiva de pó metálico pode dar origem a choques eléctricos.
- o) **Não utilize esta ferramenta eléctrica próximo de materiais inflamáveis.** Estes podem incendiar-se se entrarem em contacto com quaisquer faíscas.
- p) **Não use acessórios que necessitem de refrigerantes líquidos.** A utilização de água ou de outros refrigerantes líquidos pode dar origem a choques eléctricos
- q) A sua mão deverá segurar a pega durante o trabalho. Utilize sempre as pegas auxiliares fornecidas com a ferramenta. A perda de controlo poderá causar ferimentos pessoais.

INSTRUÇÕES ADICIONAIS DE SEGURANÇA PARA TODAS AS OPERAÇÕES

Ação de retorno e outros avisos relacionados

A acção de retorno ocorre quando o disco, o suporte, a escova ou qualquer outro acessório rotativo fica preso ou é puxado repentinamente. Isto faz com

que o acessório rotativo pare repentinamente, o que por sua vez força a ferramenta eléctrica na direcção oposta à da linha de rotação do acessório no ponto de aperto.

Por exemplo, se um disco abrasivo for puxado ou ficar preso na peça em que está a trabalhar a extremidade do disco que se encontra introduzida no ponto de aperto pode penetrar ainda mais no material provocando a acção de retorno. Dependendo da direcção de rotação do disco, este pode saltar na direcção do utilizador ou na direcção oposta. Nesta situação, os discos abrasivos podem também quebrar.

A acção de retorno resulta de uma utilização indevida e/ou incorrecta e pode ser evitada tomando as precauções descritas a seguir.

- a) **Segure firmemente na ferramenta eléctrica e posicione o seu corpo e braço de forma a resistir a qualquer acção de retorno. Utilize sempre a pega auxiliar, se esta existir, para ter um maior controlo sobre a ferramenta em caso de retorno desta durante o arranque.** O utilizador será capaz de controlar a acção de retorno se tomar as devidas precauções.
- b) **Nunca coloque as mãos próximo do acessório rotativo.** Este pode atingir as suas mãos.
- c) **Não posicione o corpo de forma a que este seja atingido em caso de retorno da ferramenta.** A acção de retorno faz com que a ferramenta se mova na direcção oposta à do disco no ponto de aperto.
- d) **Tenha especial cuidado ao trabalhar em esquinas, arestas afiadas, etc. Evite qualquer ressalto ou prendimento do acessório.** A utilização da ferramenta em esquinas, arestas afiadas ou o ressalto desta pode fazer com que o acessório rotativo seja puxado e leve à perda de controlo ou ao retorno da ferramenta eléctrica.
- e) **Não ligue uma lâmina de entalhe de corrente da serra, nem uma lâmina de serra dentada. Este tipo de lâminas cria um retorno frequente e perda de controlo.**

INSTRUÇÕES ADICIONAIS DE SEGURANÇA PARA AS OPERAÇÕES DE AFIAMENTO E CORTE

Avisos de segurança específicos para as operações de rectificação e de corte:

- a) **Utilize apenas os tipos de discos recomendados para a sua ferramenta eléctrica e a guarda específica concebida para o disco em questão.** A utilização de discos não apropriados para uma determinada ferramenta eléctrica faz com que estes não possam ser devidamente protegidos e não são seguros.
- b) **Os discos com centro côncavo devem ser montados abaixo do nível da pala**

de protecção. Um disco montado de forma inadequada que esteja projectado além da pala de protecção não poderá ser protegido adequadamente.

- c) **A guarda deve ser correctamente colocada na ferramenta eléctrica e posicionada de forma a garantir uma máxima segurança e também que a parte do disco que fica exposta seja o menor possível.** A guarda ajuda a proteger o utilizador contra fragmentos de disco partidos e contra o contacto accidental com este.
- d) **Os discos devem ser utilizados apenas para as situações para que foram concebidos. Por exemplo: não utilize o disco de corte para rectificar um objecto.** Os discos de corte abrasivos destinam-se apenas às operações de rectificação periférica. Se submeter estes discos a quaisquer forças laterais os mesmos podem desintegrar-se.
- e) **Utilize sempre falanges não danificadas e com o tamanho e a forma correctos para o disco seleccionado.** A utilização de falanges apropriadas para o disco que pretende utilizar reduz a possibilidade de quebra deste. As falanges para os discos de corte podem ser diferentes das falanges para os discos de rectificação.
- f) **Não utilize discos desgastados e concebidos para utilização com ferramentas eléctricas de maior potência.** Os discos concebidos para serem usados com ferramentas eléctricas maiores não são próprios para serem utilizados à velocidade máxima das ferramentas menores e podem partir-se.

dar origem ao retorno da ferramenta eléctrica. Se o disco prender, tente determinar a causa e tome as devidas medidas para pôr o disco a funcionar normalmente.

- d) **Não retome a operação de corte. Deixe que o disco atinja a sua velocidade máxima e depois introduza-o cuidadosamente no corte.** Se puser o disco a funcionar com este encaixado no corte, o mesmo pode ficar preso ou tal pode dar origem à acção de retorno por parte do disco.
- e) **Apoie sempre a peça em que está a trabalhar ou qualquer peça de grandes dimensões para evitar o prendimento ou retorno do disco.** As peças de grandes dimensões têm tendência para vergar sob o seu próprio peso. Coloque suportes por baixo da peça em que está a trabalhar próximo da linha de corte e perto da extremidade da peça de ambos os lados do risco.
- f) **Tenha especial cuidado ao abrir “buracos” em paredes existentes ou outras áreas do género.** O disco pode cortar tubos de gás ou canos de água, os cabos eléctricos ou outros objectos e tal pode dar origem ao retorno da ferramenta.

SÍMBOLOS

	Para reduzir o risco de ferimentos o utilizador deve ler o manual de instruções
	Duplo isolamento
	Aviso
	Usar protecção para os ouvidos
	Usar protecção ocular
	Usar máscara contra o pó
	Usar luvas de prote
	Antes de realizar qualquer trabalho na própria máquina, retire a ficha de alimentação da tomada.

INSTRUÇÕES ADICIONAIS DE SEGURANÇA PARA AS OPERAÇÕES DE CORTE

Avisos de segurança específicos para as operações de corte com discos abrasivos:

- a) **Não “prenda” ou aplique força excessiva sobre o disco de corte. Não tente fazer um corte muito fundo.** Se exercer uma pressão excessiva sobre o disco estará a aumentar a carga sobre este o que aumenta a possibilidade de deformação ou de prendimento do disco no corte e a possibilidade de retorno ou de quebra do mesmo.
- b) **Não posicione o seu corpo na direcção do disco de corte ou por detrás deste.** Quando o disco estiver a funcionar e a rodar na direcção oposta à do seu corpo, a acção de retorno pode fazer com que o disco e a ferramenta eléctrica se virem na sua direcção.
- c) **Quando o disco ficar preso, ou sempre que interromper a operação de corte por qualquer motivo, desligue a ferramenta eléctrica e continue a segurar nesta até o disco parar completamente. Nunca tente remover o disco do corte com o disco ainda em movimento. Se o fizer, tal pode**



Os equipamentos eléctricos não devem ser despositados com o lixo doméstico. Se existirem instalações adequadas deve reciclá-los. Consulte a sua autoridade local para tratamento de lixos ou fornecedor para obter aconselhamento sobre reciclagem.

COMPONENT LIST

1. **BOTÃO DE BLOQUEIO DO VEIO**
2. **CAPA DE PROTEÇÃO PARA REBARBAR**
3. **PUNHO AUXILIARY**
4. **INTERRUPTOR LIGAR/DESLIGAR**
5. **FILTRO DE AR**
6. **FLANGE EXTERIOR**
7. **FLANGE INTERIOR**
8. **EIXO**
9. **CHAVE DE PORCAS**

Acessórios ilustrados ou descritos não estão totalmente abrangidos no fornecimento.

DADOS TÉCNICOS

Tipo KUS10P KUS05P (S10P/S05P - designação de aparelho mecânico, representativo de Rebarbadora)

	KUS10P	KUS05P
Tensão nominal	230-240V~50Hz	
Potência nominal	900W	
Velocidade nominal	11000/min	
Classe de protecção		
Rosca do eixo	M14	
Tamanho do risco	125mm	115mm
Furo do disco	22.2mm	
Peso da máquina	1.5kg	

ACESSÓRIOS

Chave de porcas	1
Capa de protecção para rebarbar	1

Punho auxiliary	1
-----------------	---

Recomendamos-lhe que compre todos os acessórios no fornecedor onde adquiriu a ferramenta. Para mais informações, consulte as Sugestões de Trabalho neste manual ou a embalagem de acessórios. O pessoal do fornecedor também pode ajudar e aconselhar.

INFORMAÇÃO DE RUÍDO

Pressão de som avaliada $L_{pA} = 94,3 \text{ dB(A)}$

Potência de som avaliada $L_{WA} = 105,3 \text{ dB(A)}$

K_{pA} & K_{WA} 3 dB(A)

Use protecção de ouvidos.



INFORMAÇÃO DE VIBRAÇÃO

Os valores totais de vibração são determinados de acordo com a normativa EN60745:

desbaste da superfície	Valor da emissão da vibração $a_{h,AG} = 8,14 \text{ m/s}^2$
	Instabilidade $K = 1.5 \text{ m/s}^2$

- O valor total da vibração declarada foi medido de acordo com um método de teste padrão e pode ser usado para comparar uma ferramenta com outra;
- O valor total declarado da vibração poderá ser utilizado para comparar uma ferramenta com outra e poderá também ser utilizado numa avaliação preliminar de exposição.

⚠ AVISO: Os valores de emissão de vibração durante a utilização da ferramenta podem divergir dos valores declarados, dependendo da forma como a ferramenta é utilizada, dependendo dos exemplos seguintes e de outros modos de utilização: O modo como a ferramenta é utilizada, os materiais a cortar.

A ferramenta estar em boas condições e bem conservada.

A utilização do acessório correcto para a ferramenta e a garantia de que está afiada e em boas condições.

A firmeza com que se segura nas pegas e se quaisquer acessórios vibratórios são utilizados

Se a ferramenta é utilizada para o objectivo para o qual foi concebida e segundo as instruções.

Esta ferramenta pode causar síndrome de vibração mão-braço, se não for adequadamente utilizada.

⚠ AVISO: Para ser preciso, uma estimativa do nível de exposição nas condições actuais de utilização devem ter em conta todas as partes do ciclo de operação, como tempos em que a ferramenta

está desligada e quando está em funcionamento, mas inactiva, ou seja, não realizando o seu trabalho. Isto poderá reduzir significativamente o nível de exposição durante o período total de trabalho. Como minimizar o seu risco de exposição à vibração. Mantenha esta ferramenta de acordo com as instruções e bem lubrificada (quando aplicável) Se a ferramenta for utilizada regularmente, invista em acessórios anti-vibração. Planeie o seu horário de trabalho de forma a distribuir a utilização de ferramentas de alta vibração ao longo de vários dias.

INSTRUÇÕES DE FUNCIONAMENTO



NOTA: Antes de utilizar a ferramenta, leia atentamente o livro de instruções.

Utilização de acordo com as disposições

O aparelho é determinado para cortar, desbastar e escovar materiais de metal e de pedra, sem utilizar água. Para cortar metais é necessário utilizar uma capa de protecção especial para cortes (acessório).

MONTAGEM E FUNCIONAMENTO

AÇÃO	FIGURA
MONTAGEM	
Montagem da alça auxiliar Atenção! Sempre use a alça auxiliar ao operar a máquina.	Ver Fig. A
Montagem do disco de moagem / corte	Ver Fig. B
Ajustando a fixação do flange externo	Ver Fig C1, C2
Ajustando a protecção da roda Nota: Antes de qualquer trabalho na própria máquina, puxe pela tomada. Para trabalhos com discos de lixar ou cortar, a protecção da roda deve ser montada. Coloque a protecção na ranhura no colar do eixo e gire para a posição de trabalho necessária. Prenda a protecção com o parafuso. O disco de moagem deve girar livremente dentro da protecção. O lado fechado da protecção da roda deve sempre apontar para o operador.	Ver Fig. D
OPERAÇÃO	
Usando o interruptor On / Off	Ver Fig. E
Áreas de aperto de mão	Ver Fig. F
Moagem rugosa Atenção! Nunca use um disco de corte para desbaste.	

Corte Atenção! Para cortar metal, trabalhe sempre com a protecção da roda para cortar.	Ver Fig. G
Escovas de carvão de parada automática Nota: Quando a ponta isolante de resina (11) dentro da escova de carvão (12) é exposta ao contacto com o computador (10), ela desliga automaticamente o motor. Quando isso ocorre, as duas escovas de carvão devem ser substituídas. Mantenha as escovas de carvão limpas e livres para deslizar nos suportes. Ambas as escovas de carvão devem ser substituídas ao mesmo tempo. Use apenas escovas de carvão idênticas.	Ver Fig. H
Limpar o filtro de ar regularmente Nota: O filtro de ar precisa ser limpo depois de usar a máquina por um tempo.	Ver Fig. I

DICAS DE USO PARA A SUA FERRAMENTA

Se a sua ferramenta eléctrica aquecer muito, faça-a funcionar em vazio durante 2 a 3 minutos para arrefecer o motor.

Nunca comece a trabalhar com a rebarbadora angular quando o disco/acessório estiver contacto com a peça de trabalho.

Comece sempre sem carga para atingir a velocidade máxima e só depois inicie o trabalho.

Não force o disco para trabalhar mais depressa, reduzindo a velocidade de rotação do disco significa uma vida mais longa de trabalho.

Trabalhe sempre com um ângulo 15-30 entre o disco e a peça de trabalho. Quando rebarbar, os ângulos de grandes dimensões cortarão as arestas da peça de trabalho e afectarão o acabamento da superfície. Desloque a rebarbadora angular para os lados, para trás e para a frente da peça de trabalho.

Quando utilizar um disco de corte nunca altere o ângulo de corte, caso contrário pode parar o disco, o motor da rebarbadora angular ou partir o disco. Quando cortar, corte apenas na direcção oposta à rotação do disco. Se cortar na mesma direcção de rotação do disco pode fazê-lo saltar da ranhura de corte.

Quando utilizar um disco de corte nunca altere o ângulo de corte, caso contrário pode parar o disco, o motor da rebarbadora angular ou partir o disco. Quando cortar, corte apenas na direcção oposta à rotação do disco. Se cortar na mesma direcção de rotação do disco pode fazê-lo saltar da ranhura de corte.

Quando cortar material muito duro pode obter melhores resultados se utilizar um disco de diamante. Quando utilizar um disco de diamante, este pode ficar

muito quente. Se isto acontecer, verá aparecer anéis de faíscas em volta do disco rotativo. Interrompa o corte e deixe arrefecer sem carga durante 2-3 minutos.

Assegure-se sempre de que a peça de trabalho está bem fixa ou presa para impedir qualquer movimento.

MANUTENÇÃO

Retire o cabo de alimentação da tomada antes de efectuar quaisquer ajustamentos, reparações ou manutenção.

A sua ferramenta não requer qualquer lubrificação ou manutenção adicional. A ferramenta elétrica não tem peças reparáveis pelo utilizador. Nunca utilize água ou produtos químicos para limpar a sua ferramenta. Limpe-a com um pano macio. Guarde sempre a sua ferramenta num local seco. Mantenha as ranhuras de ventilação do motor devidamente limpas. Se observar a ocorrência de faíscas nas ranhuras de ventilação, isso é normal e não danificará a sua ferramenta. Se o cabo de alimentação estiver danificado, este deve ser substituído pelo fabricante, seu agente autorizado ou pessoal técnico qualificado para evitar qualquer situação de perigo.

PROTECÇÃO AMBIENTAL



Os equipamentos eléctricos não devem ser eliminados com o lixo doméstico. Se existirem instalações adequadas deve reciclá-los.

Consulte a sua autoridade local para tratamento de lixos ou fornecedor para obter aconselhamento sobre reciclagem.

DECLARAÇÃO DE CONFORMIDADE

Nós,
Positec Germany GmbH
Postfach 32 02 16, 50796 Cologne, Germany

Declaramos que o produto,
Descrição **Rebarbadora**
Tipo **KUS10P KUS05P (S10P/S05P - designação de aparelho mecânico, representativo de Rebarbadora)**
Função **rebarbamento periférico e lateral**

Cumpe as seguintes Directivas:
2006/42/EC
2011/65/EU&(EU)2015/863
2014/30/EU

Normas em conformidade com:
EN 55014-1
EN 55014-2
EN IEC 61000-3-2
EN 61000-3-3
EN 60745-1
EN 60745-2-3

Pessoa autorizada a compilar o ficheiro técnico,
Nome Marcel Filz
Morada Positec Germany GmbH
Postfach 32 02 16, 50796 Cologne, Germany



2022/06/22
Allen Ding
Engenheiro-chefe adjunto,
Teste e Certificação
Positec Technology (China) Co., Ltd
18, Dongwang Road, Suzhou Industrial
Park, Jiangsu 215123, P. R. China

OORSPRONKELIJKE GEBRUIKSAANWIJZING ALGEMENE VEILIGHEIDSWAARSCHUWINGEN VOOR VERMOGENSMACHINE

 **WAARSCHUWING!** Lees alle instructies zorgvuldig door. Indien u zich niet aan alle onderstaande instructies houdt, kan dat leiden tot een elektrische schok, brand en/of ernstig letsel.

Bewaar alle waarschuwingen en instructies voor latere naslag.

De term “(elektrisch) gereedschap” in de waarschuwingen hieronder, verwijst naar uw op netspanning werkende gereedschap (met stroomdraad) of uw accugereedschap (draadloos).

1) WERKGEBIED

- a) **Houd uw werkgebied schoon en zorg ervoor dat deze goed verlicht is.** In rommelige en slecht verlichte werkgebieden gebeuren sneller ongelukken.
- b) **Gebruik elektrisch gereedschap niet in explosieve atmosferen, zoals in de nabijheid van ontvlambare vloeistoffen, gassen of stof.** Elektrisch gereedschap veroorzaakt vonken die de stof of de gassen kunnen doen ontvlammen.
- c) **Houd kinderen en omstanders uit de buurt terwijl u met elektrisch gereedschap werkt.** Afleidingen kunnen ervoor zorgen dat u de controle over het gereedschap verliest.

2) ELEKTRISCHE VEILIGHEID

- a) **De stekker van het elektrisch gereedschap moet passen in het stopcontact. Pas de stekker op geen enkele manier aan om te zorgen dat hij wel past. Gebruik geen adapterstekkers terwijl u geaard elektrisch gereedschap gebruikt.** Onaangepaste stekkers die in het stopcontact passen, verminderen de kans op een elektrische schok.
- b) **Vermijd lichamenlijk contact met geaarde of gegronde oppervlakken, zoals buizen, radiatoren, fornuizen en koelkasten.** Als uw lichaam geaard of geground is, is er een grotere kans op een elektrische schok.
- c) **Stel uw elektrische gereedschap niet bloot aan regen of natte omstandigheden.** Water dat elektrisch gereedschap kan binnendringen, vergroot de kans op een elektrische schok.
- d) **Gebruik de stroomdraad niet op een andere manier dan waarvoor deze gemaakt is. Trek niet aan de stroomdraad, ook niet om de stekker uit het stopcontact te krijgen en draag het gereedschap niet door het aan de stroomdraad vast te houden. Houd de stroomdraad uit de buurt van hitte, olie, scherpe hoeken en bewegende onderdelen.** Beschadigde of verwarde stroomdraden vergroten de kans op een elektrische schok.

- e) **Wanneer u het elektrische gereedschap buitenshuis gebruikt, dient u te zorgen voor een verlengsnoer dat geschikt is voor gebruik buitenshuis.** Het gebruik van een verlengsnoer dat geschikt is voor gebruik buitenshuis, vermindert de kans op een elektrische schok.
- f) **Moet een krachtmachine in een vochtige locatie worden gebruikt, gebruik dan een aardlekschakelaar (ALS).** Een ALS vermindert het gevaar op elektrische schokken.

3) PERSOONLIJKE VEILIGHEID

- a) **Blijf alert, kijk waar u mee bezig bent en gebruik uw gezonde verstand wanneer u met elektrisch gereedschap werkt. Gebruik geen elektrisch gereedschap wanneer u moe bent of onder de invloed van drugs, alcohol of medicijnen.** Een moment van onoplettendheid bij het gebruik van elektrisch gereedschap kan leiden tot ernstig persoonlijk letsel.
 - b) **Gebruik een veiligheidsuitrusting. Draag altijd oogbescherming.** Een veiligheidsuitrusting, zoals een stofmasker, schoenen met antislipzolen, een veiligheidshelm, of oorbescherming die onder de juiste omstandigheden gebruikt wordt, vermindert de kans op persoonlijk letsel.
 - c) **Pas op dat het apparaat niet onbedoeld wordt gestart. Zorg ervoor dat de schakelaar uit staat voordat u de voeding en/of batterij aansluit, en als u de machine oppakt en draagt.** Gereedschap dragen terwijl u uw vinger op de schakelaar houdt, of de stekker in het stopcontact steken terwijl het gereedschap ingeschakeld staat, is vragen om ongelukken.
 - d) **Verwijder inbussleutels of moersleutels voordat u het gereedschap inschakelt.** Een sleutel die nog in of op een draaiend onderdeel van het elektrische gereedschap zit, kan leiden tot ernstig persoonlijk letsel.
 - e) **Werk niet boven uw macht. Zorg er altijd voor dat u stevig staat en goed in balans bent.** Hierdoor heft u betere controle over het gereedschap in onverwachte situaties.
 - f) **Draag geschikte kleding. Draag geen loszittende kleding of sieraden. Houd uw haar, kleding en handschoenen uit de buurt van bewegende onderdelen.** Loszittende kleding, sieraden of lang haar kan vast komen te zitten in bewegende onderdelen.
 - g) **Wanneer er apparaten worden bijgeleverd voor stofafzuiging en -opvang, zorg er dan voor dat deze aangesloten zijn en op de juiste manier gebruikt worden.** Het gebruik van deze apparaten vermindert de gevaren die door stof kunnen ontstaan.
- ### 4) GEBRUIK EN ONDERHOUD VAN ELEKTRISCH GEREEDSCHAP
- a) **Forceer het gereedschap niet. Gebruik gereedschap dat voor de toepassing geschikt is.** Het gebruik van geschikt gereedschap levert beter werk af en werkt veiliger als het gebruikt wordt op de snelheid waar het

- voor ontworpen is.
- b) **Gebruik het gereedschap niet wanneer de aan/uitschakelaar niet functioneert.** Gereedschap dat niet kan worden bediend met behulp van de schakelaar is gevaarlijk en dient te worden gerepareerd.
 - c) **Neem de stekker uit het stopcontact en/of verwijder de batterij voordat u instellingen verandert, toebehoren vervangt of de machine opbergt.** Deze preventieve veiligheidsmaatregelen verminderen de kans op het ongewild inschakelen van het gereedschap.
 - d) **Berg gereedschap dat niet gebruikt wordt buiten het bereik van kinderen op en laat personen die niet bekend zijn met het gereedschap of met deze veiligheidsinstructies het gereedschap niet bedienen.** Elektrisch gereedschap kan in de handen van ongetrainde gebruikers gevaarlijk zijn.
 - e) **Onderhoud elektrisch gereedschap op de juiste wijze. Controleer of bewegende onderdelen nog goed uitgelijnd staan, of ze niet ergens vastzitten en controleer op elke andere omstandigheid die ervoor kan zorgen dat het gereedschap niet goed functioneert. Wanneer het gereedschap beschadigd is, dient u het te repareren voordat u het in gebruik neemt.** Veel ongelukken worden veroorzaakt door slecht onderhouden elektrisch gereedschap.
 - f) **Houd snijdend gereedschap schoon en scherp.** Goed onderhouden snijdend gereedschap met scherpe zaagbladen/messen zal minder snel vastlopen en is makkelijker te bedienen.
 - g) **Gebruik het gereedschap, de accessoires, de bitjes, enz. in overeenstemming met deze instructies en op de manier zoals bedoeld voor het specifieke type elektrisch gereedschap, rekening houdend met de werkomstandigheden en het uit te voeren werk.** Het gereedschap gebruiken voor andere doeleinden dan waar deze voor ontworpen is, kan gevaarlijke situaties opleveren.
- 5) **SERVICE**
- a) **Laat uw elektrisch gereedschap repareren door een bevoegde reparateur die alleen originele reserveonderdelen gebruikt.** Zo bent u er zeker van dat uw gereedschap veilig blijft.

EXTRA VEILIGHEIDSPUNTEN VOOR DE HAAKSE SLIJPMACHINE

Deze veiligheidswaarschuwingen gelden voor slijp-, schuur- en snijbewerkingen:

- a) **Deze machine is bedoeld om gebruikt te worden als slijpmachine, of zaag. Lees alle veiligheidswaarschuwingen, instructies, illustraties en specificaties die met deze**

machine geleverd zijn. Worden de instructies hieronder niet opgevolgd, dan kan dat resulteren in elektrische schok, brand en of ernstig letsel.

- b) **Bewerkingen zoals slijpen, staalborstelen, polijsten en afkorten worden met deze machine niet aanbevolen.** Bewerkingen waarvoor de machine niet bedoeld is, kunnen gevaarlijk zijn en persoonlijk letsel veroorzaken
- c) **Gebruik geen accessoires die niet speciaal ontworpen en aanbevolen zijn door de fabrikant van de machine.** Het feit dat een accessoire op de machine past, betekent niet dat de veilige werking gegarandeerd is.
- d) **De nominale snelheid van een accessoire moet minstens zo groot zijn als de maximale snelheid van de machine.** Accessoires die op een te hoge snelheid worden gebruikt, kunnen uit elkaar vliegen.
- e) **De buitendiameter en de dikte van een accessoire moeten binnen de capaciteit van de machine passen.** Accessoires van de verkeerde grootte kunnen niet goed beschermd en bediend worden.
- f) **Montage met schroefdraad van accessoires moet overeenkomen met de draad van de asdraad van de slijpmachine. Voor accessoires die zijn gemonteerd met flensen, moet het asgat van het accessoire overeenkomen met de fixeerdiameter van de flens.** Accessoires met schachtgaten die niet overeenkomen met de montage van de machine, kunnen uit balans raken, overmatig trillen en tot gevolg hebben dat u de controle over de machine verliest.
- g) **Gebruik geen beschadigde accessoires. Controleer de accessoires voor gebruik: schuurschijven op spaanders en barsten, scheuren en bovenmatige slijtage, draadborstel voor losse of gebarsten draden. Mocht de machine of een accessoire vallen, inspecteer hem dan op schade of gebruik een nieuw accessoire. Zorg er na inspectie en montage van een accessoire voor dat u en omstanders uit het vlak van het draaiende accessoire staan en laat de machine een minuut op maximale onbelaste snelheid draaien.** Een beschadigd accessoire zal meestal tijdens een dergelijke test uit elkaar breken.
- h) **Draag persoonlijke beschermingsmiddelen. Afhankelijk van de werkzaamheden draagt u hoofdbescherming of een veiligheidsbril. Draag zonodig een stofmasker, gehoorbescherming, handschoenen en een schort waarmee afgeslepen materiaal en delen van het werkstuk mee kunnen worden opgevangen.** De oogbescherming moet geschikt zijn om rondvliegende deeltjes op te vangen die bij de werkzaamheden ontstaan. Het stofmasker moet geschikt zijn om deeltjes uit de lucht te filteren. Langdurige blootstelling aan lawaai kan tot gehoorschade leiden.
- i) **Houd omstanders op een veilige afstand van het werkgebied. Iedereen die zich in het werkgebied bevindt moet persoonlijke beschermingsmiddelen dragen.** Brokstukken

van het werkstuk en een gebroken accessoire kunnen wegvliegen en letsel veroorzaken, ook buiten de onmiddellijke omgeving van de werkzaamheden.

- j) Houd de machine alleen vast bij de geïsoleerde handgrepen, wanneer uw werkzaamheden tot gevolg kunnen hebben dat het accessoire in contact komt met b)verborgene bedrading of het eigen netsnoer.** Komt het accessoire in contact met een spanningvoerende draad, dank omene de metalen delen van de machine onder spanning staan, wat dodelijk kan zijn voor de gebruiker.
- k) Houd het netsnoer uit de buurt van het draaiende accessoire.** Verliest u de macht over de machine, dan kan het snoer worden doorgesneden en bovendien kan uw hand of arm in het draaiende accessoire worden getrokken.
- l) Leg de machine nooit neer als het accessoire nog in beweging is.** Het draaiende accessoire kan tegen de oppervlakte komen waardoor u de macht over de machine verliest.
- m) Laat de machine niet draaien terwijl u hem opzij draagt.** Door onbedoeld contact met het draaiende accessoire kan uw kleding worden gegrepen, waardoor de machine in aanraking met uw lichaam komt.
- n) Maak de ventilatieopeningen van de machine geregeld schoon.** De ventilator van de motor brengt stof binnen de behuizing en door ophoping van metalen deeltjes kan ere en elektrisch gevaar ontstaan
- o) Gebruik de machine niet bij ontbrandbare materialen.** Ze zouden door vonken in brand kunnen raken.
- p) Gebruik geen accessoires die een vloeibaar koelmiddel nodig hebben.** Het gebruik van water of andere vloeibare koelmiddelen kan elektrocutie of elektrische schokken tot gevolg hebben
- q) Houd het handvat vast als u werkt.** Gebruik altijd de hulphandvatten die met de machine geleverd zijn. Als u de machine niet beheerst kan dat in persoonlijk letsel resulteren.

VERDERE VEILIGHEIDSINSTRUCTIES VOOR ALLE BEWERKINGEN

Terugslag en daarmee verwante waarschuwingen

Terugslag is een plotselinge reactie van een draaiend wiel of ander accessoire als het plotseling bekneld raakt. Het accessoire blijft daardoor ineens stilstaan waardoor de machine onbeheerst gedwongen wordt in een richting die tegengesteld is aan de draairichting van het accessoire.

Bijvoorbeeld, als een slijpwiel in het werkstuk blijft klemzitten, dan zal de rand van het wiel zich in de oppervlakte van het materiaal graven waarna het wiel naar buiten schiet. Het wiel kan in de richting van de gebruiker schieten of in de andere richting, afhankelijk

van de bewegingsrichting van het wiel op het moment dat het vast bleef zitten. Een schuurwiel kan onder die omstandigheden ook breken.

Terugslag is het gevolg van verkeerd gebruik van een machine en/of onjuiste bedrijfsprocedures en – omstandigheden. Met de juiste maatregelen kan het vermeden worden, zoals hieronder is beschreven.

- a) Houd de machine stevig vast en zorg ervoor dat lichaam en armen in een zodanige positie staan dat u de terugslagkrachten kunt weerstaan. Maak steeds gebruik van het hulphanvat, als het aanwezig is, zodat u tijdens het opstarten maximale beheersing hebt over terugslag en koppelreacties.** De gebruiker kan koppelreacties en terugslagkrachten beheersen met de juiste voorzorgsmaatregelen.
- b) Houd uw hand nooit bij het draaiende accessoire.** Het accessoire kan over uw hand terugslaan.
- c) Houd uw lichaam niet op een plaats waar de machine komt als er terugslag optreedt.** Bij terugslag schiet de machine in een richting die tegengesteld is aan de beweging van het wiel, op het moment dat het wiel vastklemt.
- d) Wees voorzichtig bij het werken langs hoeken, scherpe randen e.d. zodat vermeden wordt dat de machine terugstuiter en het accessoire blijft vastzitten.** Hoeken, scherpe randen en stuiteren kunnen het draaiende accessoire vastgrijpen waardoor u de macht over de machine verliest of er terugslag optreedt.
- e) Monteer geen kettingzaag, houtsnijmes of zaagblad met tanden.** *Dergelijke gereedschappen geven vaak terugslag en het gevaar dat u de macht over de machine verliest.*

EXTRA VEILIGHEIDSINSTRUCTIES VOOR SLIJPEN EN AFKORTEN

Veiligheids waarschuwingen betreffende slijpen en schuurbewerkingen:

- a) Gebruik alleen een wieltype dat is aanbevolen voor de machine en de specifieke beschermkap die voor dat wiel bedoeld is.** Wielen die niet geschikt zijn voor de machine kunnen niet goed beschermd worden en zijn onveilig.
- b) Het slijpoppervlak van de centraal ingedrukte wielen moeten onder het vlak van de leikop worden gemonteerd.** *Een slecht gemonteerd wiel dat uit het vlak van de leikop steekt, kan niet goed worden beschermd.*
- c) De kap moet stevig aan de machine bevestigd zijn en gepositioneerd zijn voor maximale veiligheid, zodat een minimale oppervlakte van het wiel in de richting van de gebruiker is blootgesteld.** De kap beschermt de gebruiker tegen brokstukken van het wiel en onbedoeld aanraken van het wiel.
- d) Wielen mogen alleen worden gebruikt**

voor aanbevolen toepassingen. Probeer bijvoorbeeld niet te slijpen met de kant van een snijwiel. Een schurend snijwiel is bedoeld voor het slijpen van de oppervlakte – door kracht op de zijkant uit te oefenen zou het wielen uit elkaar kunnen liegen.

- e) **Gebruik steeds onbeschadigde wielflenzen die de juiste grootte en vorm hebben voor het gebruikte wiel.** De juiste wielflenzen ondersteunen het wiel en verminderen de kans dat het wiel breekt. Flenzen voor snijwielen zijn anders dan flenzen voor slijpwielen.
- f) **Gebruik geen afgeslepen wielen van een machine die werkt met een groter vermogen.** Een wiel dat geschikt is voor een groter vermogen, is niet geschikt voor de hogere snelheid van een kleinere machine en zou kunnen breken.

EXTRA VEILIGHEIDSINSTRUCTIES VOOR AFKORTEN

Andere veiligheidswaarschuwingen voor schurende snijbewerkingen:

- a) **Laat het snijwiel niet "vastlopen" en gebruik geen overmatige druk. Probeer niet extra diep te snijden.** Door overbelasting van het wiel vergroot u de kans dat het wiel verbuigt of in de snede blijft vastzitten, waardoor het wiel terugslaat of breekt.
- b) **Zorg ervoor dat uw lichaam zich niet in de lijn van het draaiende wiel bevindt en niet erachter.** Beweegt het wiel, op het moment van gebruik, van uw lichaam af, dan zullen de machine en het wiel door een eventuele terugslag in uw richting komen.
- c) **Blijft het wiel vastzetten of moeten de werkzaamheden onderbroken worden, schakel de machine dan uit en houd hem stil tot het wiel volledig tot stilstand is gekomen. Probeer het snijwiel niet uit de snede te verwijderen terwijl het wiel in beweging is, want er kan terugslag optreden.** Onderzoek de oorzaak van het vastzittende wiel en neem maatregelen om het probleem te verhelpen.
- d) **Herstart de machine niet in het werkstuk. Laat het wiel tot volle snelheid komen en breng het weer terug in de snede.** Het wiel kan vastklemmen, weglopen en terugslaan als de machine wordt gestart met het wiel in het werkstuk.
- e) **Ondersteun panelen en grote werkstukken om het gevaar van vastklemmen en terugslag te vermijden.** Een groot werkstuk kan onder eigen gewicht doorzakken. Ondersteun het werkstuk in de buurt van de snijlijn en aan de rand van het werkstuk, aan weerszijden van het wiel.
- f) **Wees extra voorzichtig bij het maken van een "zaksnede" tussen bestaande muren of in een ander blind gebied.** Het uitstekende wiel kan in contact komen met

gas- en waterbuizen, met elektrische bedrading of andere voorwerpen waardoor er terugslag ontstaat.

SYMBOLEN

	Om het risico op letsels te beperken, moet u de gebruikershandleiding lezen
	Veiligheidsklasse
	Waarschuwing
	Draag oorbescherming
	Draag oogbescherming
	Draag een stofmasker
	Draag beschermende handschoenen
	Voordat u werkzaamheden uitvoert aan de machine zelf, moet u de stekker uit het stopcontact trekken.
	Afgedankte elektrische producten mogen niet bij het normale huisafval terechtkomen. Breng deze producten waar mogelijk naar een recyclecentrum bij u in de buurt. Vraag de verkoper of de gemeente informatie en advies over het recyclen van elektrische apparatuur.


ONDERDELENLIJST

1. ASSTOPVERGREDELING
2. WIELBESCHERMER VOOR SLIJPEN
3. EXTRA HANDGREEP
4. AAN/UIT-SCHAKELAAR
5. LUCHTFILTER
6. BUITENSTE FLENS
7. BINNENSTE FLENS
8. UITGAANDE AS
9. STELSLEUTEL

***Afgebeelde of beschreven accessoires horen voor een deel niet tot de leveringsomvang.**

TECHNISCHE GEGEVENS

Type KUS10P KUS05P (S10P/S05P- aanduiding van machinerie, kenmerkend voor Haakse slijpmachine)

	KUS10P	KUS05P
Spanning	230-240V~50Hz	
Nominaal vermogen	900W	
Toerental onbelast	11000/min	
Dubbele isolatie		
Schroefdraad as	M14	
Schijven	125mm	115mm
Schijfboring	22.2mm	
Gewicht	1.5kg	

ACCESSOIRES

Stelsleutel	1
Extra handgreep	1
Wielbeschermers voor slijpen	1

Wij adviseren u alle accessoires te kopen in de winkel waar u het gereedschap heeft gekocht. Gebruik producten van goede kwaliteit met een bekende merknaam. Kijk op de verpakking van het accessoire voor meer informatie. Ook het winkelpersoneel kan u helpen en adviseren.

GELUIDSPRODUCTIE

A-gewogen geluidsdruk	$L_{pA} = 94,3 \text{ dB(A)}$
A-gewogen geluidsniveau	$L_{WA} = 105,3 \text{ dB(A)}$
$K_{pA} & K_{WA}$	3 dB(A)

Draag oorbescherming.



TRILLINGSGEGEVENS

Totale trillingswaarden (triax vector-som) volgens EN 60745:

Slijpen van oppervlakken	Trillingsemisiewaarde
	$a_{h,AG} = 8,14 \text{ m/s}^2$
Onzekerheid $K = 1.5 \text{ m/s}^2$	

– De aangegeven totale trillingswaarde is gemeten met standaard testmethoden en kan worden gebruikt om het ene gereedschap met het andere te vergelijken
– De opgegeven totale trillingswaarde kan worden gebruikt om een gereedschap met een ander te vergelijken en kan ook dienen als een voorlopige beoordeling van de blootstelling.

! **WAARSCHUWING:** De trillingsemisiewaarde tijdens het feitelijke gebruik van dit elektrisch gereedschap kan afwijken van de opgegeven waarde, afhankelijk van de wijze waarop het gereedschap wordt gebruikt, zoals in de volgende voorbeelden: Hoe het gereedschap wordt gebruikt en welk materiaal wordt gesneden of geboord.
Of het gereedschap in goede staat verkeerd en correct wordt onderhouden.
Gebruik van de juiste toebehoren voor het gereedschap en of deze scherp zijn en in goede staat verkeren.
De stevigheid van de grip op de handgrepen en het eventuele gebruik van antivibratie-accessoires.
En of het gereedschap wordt gebruikt waarvoor het ontworpen is en in overeenstemming met deze instructies.

Dit gereedschap kan een trillingssyndroom in de handen en armen veroorzaken als het niet op de juiste wijze gehanteerd wordt.



! **WAARSCHUWING:** Voor de nauwkeurigheid moet bij een schatting van het blootstellingsniveau in de feitelijke gebruiksomstandigheden rekening worden gehouden met alle delen van de bedrijfscyclus, zoals het moment waarop het gereedschap wordt uitgeschakeld en terwijl het gereedschap in werking is zonder daadwerkelijk gebruikt te worden. Dit kan het blootstellingsniveau over de totale werkperiode aanzienlijk verminderen.
Help de blootstelling aan trillingen te minimaliseren. Gebruik ALTIJD scherpe beitels, boren en messen. Onderhoud het gereedschap in overeenstemming met deze instructies en houd het goed gesmeerd (indien van toepassing).
Schaf antivibratie-accessoires aan wanneer u het gereedschap geregeld gebruikt.
Plan de werkzaamheden zodat de taken met veel trillingen over een aantal dagen verspreid worden.

BEDIENINGSINSTRUCTIES

! **OPMERKING:** lees het instructieboekje aandachtig voor gebruik van het gereedschap

Beoogd gebruik

De machine is bestemd voor het doorslijpen, afbramen en borstelen van metaal en steen zonder gebruik van water. Voor het doorslijpen van steen is een geleideslede voorgeschreven.

ACTIE	FIGUUR
MONTAGE	
Montage extra handgreep Waarschuwing! Gebruik altijd de extra handgreep wanneer u de machine bedient.	Zie A
Monteer de slijpschijf / snijschijf	Zie B
Pas de buitenflenskleem aan	Zie C1, C2
Stel de wielpod af Opmerking: haal de stekker uit het stopcontact voordat u een bewerking uitvoert. Om een slijp- of doorslijpschijf te gebruiken, moet een wielpod worden geïnstalleerd. Plaats de beschermkap in de groef op de spindelkraag en draai deze naar de gewenste werkpositie. Houd de beschermkap vast met schroeven. De slijpschijf moet vrij kunnen draaien binnen de beschermkap. De gesloten zijde van de wielkast moet altijd naar de bestuurder wijzen.	Zie D
BEDRIJFS	
Gebruik aan / uit schakelaar	Zie E
Greep gebied	Zie F
Ruw slijpen  Waarschuwing! Gebruik nooit een doorslijpschijf voor het voorbereiden.	
gewas  Waarschuwing! Snijd altijd met de wielpod om metaal te snijden.	Zie G
Auto stop koolborstel Opmerking: Wanneer de harsisolatiekop (11) in de koolborstel (12) wordt blootgesteld en contact maakt met de commutator (10), zal deze de motor automatisch uitschakelen. Wanneer dit gebeurt, moeten de twee koolborstels worden vervangen. Houd de koolborstels schoon en schuif ze vrij op de standaard. Beide koolborstels moeten tegelijkertijd worden vervangen. Gebruik alleen dezelfde koolborstel.	Zie H
Reinig het luchtfilter regelmatig Opmerking: Na een tijdje gebruik van de machine moet het luchtfilter worden schoongemaakt.	Zie I

AANWIJZINGEN VOOR HET GEBRUIK VAN DE HAAKSE SLIJPMACHINE

Wanneer het gereedschap te heet wordt, laat het dan twee minuten onbelast draaien om de motor af te laten koelen.

Start de slijpmachine nooit wanneer de schijf of het accessoire in contact is met het werkobject.

Begin altijd onbelast totdat de maximale snelheid is bereikt en begin dan pas met werken.

Forceer de schijf niet om sneller te willen werken, het verminderen van de bewegingssnelheid van de schijf leidt tot langere werktijd.

Houd altijd een hoek van 15-30 graden tussen de schijf en het werkobject. Grotere hoeken veroorzaken groeven in het werkobject en tasten de afwerking van het oppervlak aan. Beweg de slijpmachine overdwars of heen en weer over het werkobject.

Verander bij het gebruik van een snijschijf nooit de snijhoek, hierdoor kan de schijf namelijk stoppen, de motor afslaan of de schijf breken. Snij bij het snijden alleen tegen de snijrichting van de schijf in, anders kan de schijf zich uit de groef duwen.

Bij het snijden van zeer hard materiaal, verkrijgt u het beste resultaat met een diamantschijf.

Bij het gebruik van een diamantschijf wordt deze zeer heet. U zult dan een vonkenring zien rondom de draaiende schijf. Stop dan met snijden en laat de snijmachine gedurende 2-3 minuten afkoelen door deze onbelast te laten draaien.

Zorg er altijd voor dat het werkobject goed vastzit met behulp van klemmen of anderszins zodat deze niet kan bewegen.

Always ensure the workpiece is firmly held or clamped to prevent movement.

ONDERHOUD

Trek de voedingskabel uit de aansluiting voordat u eventuele aanpassingen, reparaties of onderhoud uitvoert.

Dit elektrische gereedschap hoeft niet extra gesmeerd of onderhouden te worden.

Dit gereedschap bevat geen onderdelen waaraan de gebruiker onderhoud kan of moet uitvoeren. Gebruik nooit water of chemische reinigingsmiddelen voor het schoonmaken van uw elektrische gereedschap.

Veeg het schoon met een droge doek. Bewaar uw elektrische gereedschap altijd op een droge plek.

Houd de ventilatiegloeuen van de motor schoon. Houd alle bedieningselementen vrij van stof. Er kunnen vonken zichtbaar zijn in de ventilatiegloeuen. Dit is normaal en leidt niet tot beschadiging van uw gereedschap.

Is de voedingskabel beschadigd, dan moet hij, om risico te voorkomen, worden vervangen door de fabrikant, zijn vertegenwoordiger of een ander bevoegd persoon.

BESCHERMING VAN HET MILIEU



Afgedankte elektrische producten mogen niet bij het normale huisafval terechtkomen.

■ Breng deze producten waar mogelijk naar een recyclecentrum bij u in de buurt. Vraag de verkoper of de gemeente informatie en advies over het recyclen van elektrische apparatuur.

CONFORMITEITVERKLARING

Wij,
Positec Germany GmbH
Postfach 32 02 16, 50796 Cologne, Germany

Verklaren dat het product
Beschrijving **Haakse slijpmachine**
Type **KUS10P KUS05P (S10P/S05P- aanduiding van machinerie, kenmerkend voor Haakse slijpmachine)**
Functie **Slijpen langs de rand en zijwaarts**

Overeenkomt met de volgende richtlijnen
2006/42/EC
2011/65/EU&(EU)2015/863
2014/30/EU

Standaards in overeenstemming met

EN 55014-1
EN 55014-2
EN IEC 61000-3-2
EN 61000-3-3
EN 60745-1
EN 60745-2-3

De persoon die bevoegd is om het technische bestand te compileren,

Naam Marcel Filz
Adres Positec Germany GmbH
Postfach 32 02 16, 50796 Cologne, Germany



2022/06/22
Allen Ding
Plaatsvervangend Chief Ingenieur, Testen en
Certificeringmanager
Positec Technology (China) Co., Ltd
18, Dongwang Road, Suzhou Industrial
Park, Jiangsu 215123, P. R. China

ОБЩИЕ ПРАВИЛА ТЕХНИКИ БЕЗОПАСНОСТИ ПРИ РАБОТЕ С ЭЛЕКТРОИНСТРУМЕНТОМ

⚠ ПРЕДУПРЕЖДЕНИЕ! Внимательно ознакомьтесь с инструкциями и предупреждениями по технике безопасности. Невыполнение всех нижеприведенных инструкций и рекомендаций может привести к поражению электрическим током, пожару и серьезным травмам.

Сохраните все предупреждения и инструкции для дальнейшего пользования.

В дальнейшем термин “электроинструмент” используется как для работающего от сети (проводного) электроинструмента, так и для электроинструмента, работающего от аккумулятора (беспроводного).

1) Безопасность на рабочем месте

- a) **Содержите рабочее место в чистоте и хорошо освещенным.** Загроможденные и плохо освещенные зоны способствуют возникновению несчастных случаев.
- b) **Не работайте с инструментом во взрывоопасной атмосфере, в присутствии воспламеняемых жидкостей, газов или пыли.** Возникающие при работе электроинструмента искры могут привести к воспламенению горючих веществ.
- c) **При работе с инструментом дети и посторонние должны находиться на безопасном расстоянии.** Отвлечение внимания может привести к потере вами контроля.

2) Электробезопасность

- a) **Штепсельные вилки электроинструментов должны соответствовать розеткам.** Никогда никоим образом не изменяйте соединительную вилку. При заземленных электроинструментах не используйте никаких переходников. Неизменные вилки и соответствующие розетки снижают риск поражения электротоком.
 - b) **Избегайте физического контакта с заземленными поверхностями, такими, как трубы, радиаторы, плиты и холодильники.** Риск поражения электротоком повышается, если ваше тело будет заземлено.
 - c) **Не подвергайте электроинструменты воздействию дождя или высокой влажности.** Попадание воды в электроинструмент повышает опасность поражения электротоком.
 - d) **Правильно обращайтесь с электрокабелем.** Никогда не используйте кабель для переноски электроинструмента, а также не тяните за кабель для выключения из розетки. Держите кабель на безопасном расстоянии от источников тепла, масла, острых кромок и движущихся частей. Поврежденные или запутанные кабели повышают риск поражения электротоком.
 - e) **При работе с электроинструментом вне помещений используйте удлинители, которые предназначены для работы на открытом воздухе.** Это снижает риск поражения электротоком.
 - f) **При использовании электроинструмента во влажном помещении его необходимо подключать к электросети через устройство защитного отключения (УЗО).** Использование УЗО снижает риск поражения электротоком.
- ## 3) Личная безопасность
- a) **Будьте внимательны: следите за тем, что вы делаете и руководствуйтесь здравым смыслом, работая с электроинструментом.** Не используйте электроинструмент, если вы устали или находитесь под воздействием сильнодействующих средств, алкоголя или медикаментов. Потеря внимания даже на короткое мгновение при работе с электроинструментом может привести к серьезным травмам.
 - b) **Используйте индивидуальные средства защиты.** Всегда надевайте средства защиты глаз. Такие средства защиты, как респиратор, нескользящая защитная обувь, каска или защитные наушники, используемые в соответствующих условиях, снижают риск получения травм.
 - c) **Предотвращайте случайный запуск электроинструмента.** Убедитесь, что выключатель находится в положении “Выключено” перед подключением к электросети и / или аккумуляторной батареи, сборкой или переносом электроинструмента. Переноска инструмента с пальцем на кнопке пуска или включение в сеть электроинструмента с включенным выключателем способствует несчастному случаю.
 - d) **Удаляйте все регулировочные приспособления или гаечные ключи перед включением электроинструмента.** Оставленные на вращающихся деталях электроинструмента, они могут привести к травме.
 - e) **Не перенапрягайтесь.** Постоянно занимайте устойчивое положение и поддерживайте равновесие. Это позволяет лучше контролировать электроинструмент в непредвиденных ситуациях.
 - f) **Одевайтесь надлежащим образом.** Не надевайте свободную одежду или украшения. Держите волосы,

одежду и перчатки на расстоянии от движущихся частей. Свободную одежду, украшения или длинные волосы может затянуть в движущиеся части.

- g) Используйте предусмотренные средства и устройства для сбора и удаления пыли, если инструмент оснащен таковыми.** *Использование таких средств может снизить опасности, связанные с пылью.*
- 4) Использование электроинструмента и уход за ним**
- a) Не перегружайте электроинструмент. Используйте подходящий инструмент для каждой определенной цели.** *Правильно подобранный электроинструмент выполнит работу лучше и надежнее на уровне, для которого он предназначен.*
- b) Не используйте электроинструмент, если выключатель невозможно включить или выключить.** *Любой электроинструмент, который невозможно контролировать выключателем, представляет опасность и должен быть отремонтирован.*
- c) Отсоедините штепсель от электросети и / или аккумуляторную батарею от электроинструмента перед проведением каких-либо настроек, сменой насадок или хранением электроинструмента.** *Подобные предохранительные меры снижают опасность случайного пуска электроинструмента.*
- d) Храните не использующиеся электроинструменты в местах, недоступных для детей. Не разрешайте работать с электроинструментом лицам, которые не знают его особенностей или не ознакомлены с данной инструкцией.** *Электроинструменты в руках необученных пользователей представляют опасность.*
- e) Поддерживайте электроинструмент в исправном состоянии. Проверьте инструмент на предмет смещения или заедания движущихся частей, поломки деталей или любых иных неисправностей, могущих повлиять на работу электроинструмента. В случае повреждения следует отремонтировать электроинструмент перед применением.** *Многие несчастные случаи вызваны плохим уходом за электроинструментом.*
- f) Режущий инструмент должен быть заточенным и чистым.** *При поддержании режущих инструментов в надлежащем состоянии и с острыми режущими кромками вероятность их заклинивания уменьшается и ими легче управлять.*
- g) Используйте электроинструмент, принадлежности, сверла и т. п. в соответствии с данными инструкциями, спецификой конкретного типа электроинструмента,**

учитывая условия работы и выполняемую задачу. *Использование электроинструмента для иных операций, помимо тех, для которых он предназначен, может привести к возникновению опасной ситуации.*

- 5) Сервисное обслуживание**
- a) Ремонт электроинструмента должен выполняться квалифицированным персоналом с использованием только оригинальных запасных частей.** *Это обеспечит гарантию безопасности его использования.*

ИНСТРУКЦИИ ПО БЕЗОПАСНОСТИ ДЛЯ ВСЕХ ВИДОВ РАБОТ:

Общие предостережения, касающиеся безопасности при выполнении шлифовки или абразивной отрезки:

- a) Этот электроинструмент предназначен для использования в качестве шлифовальной машины или инструмента для резки.** *Прочитайте все предупреждения, инструкции по технике безопасности, иллюстрации и спецификации, прилагаемые к этому электроинструменту. Невыполнение всех перечисленных ниже инструкций может привести к поражению электрическим током, пожару и / или серьезным травмам.*
- b) Данный электроинструмент не рекомендуется использовать для выполнения таких операций, как шлифование, щеточная очистка, полировка.** *Выполнение операций, для которых электроинструмент не предназначен, может создать опасную ситуацию и стать причиной травмы.*
- c) Не используйте аксессуары, которые не были специально разработаны и рекомендованы производителем инструмента.** *Тот факт, что аксессуар может быть закреплен на вашем электроинструменте, еще не гарантирует его безопасное использование.*
- d) Номинальная скорость вращения аксессуара должна быть как минимум равна максимальной скорости, указанной на электроинструменте.** *Аксессуары, вращающиеся быстрее указанной номинальной скорости, могут оторваться и отлететь.*
- e) Наружный диаметр и толщина вашего аксессуара должны соответствовать номинальной мощности электроинструмента.** *Неправильно подобранные аксессуары не могут быть должным образом закрыты предохранительным устройством или правильно контролироваться.*
- f) Размер оправок дисков и фланцев должен обеспечивать**

- точную установку шпинделя электроинструмента. Для аксессуаров, смонтированных посредством фланцев, отверстие для оправки аксессуара должно соответствовать посадочному диаметру фланца.** *Аксессуары с отверстиями оправки, которые не совпадают с монтажными приспособлениями электроинструмента, будут работать несбалансированно, с избыточной вибрацией и могут привести к потере управления.*
- г) Не используйте поврежденные аксессуары. Перед каждым использованием проверяйте аксессуары, какие так абразивные диски, на наличие сколов и трещин, диск-подошву на наличие трещин, разрывов или чрезмерного износа. Если электроинструмент или аксессуар случайно уронили, проверьте их на повреждения или установите неповрежденный аксессуар. После проверки и установки аксессуара встаньте сами и проследите, чтобы присутствующие располагались подальше от плоскости вращающегося диска, затем дайте проработать электроинструменту на максимальной скорости без нагрузки в течение одной минуты. В течение этого тестового времени поврежденные аксессуары обычно разламываются.**
- h) Носите средства индивидуальной защиты. В зависимости от применения носите лицевой щиток, закрытые или защитные очки. При необходимости надевайте пылезащитную маску, защитные наушники, перчатки и рабочий фартук, способный предохранить от небольших осколков абразивного материала или обрабатываемого предмета. Защита глаз должна быть способна предохранить от летящего мусора, сопутствующего различным операциям. Пылезащитная маска или респиратор должны быть способны отфильтровывать частицы, образующиеся в результате работы. Продолжительное воздействие шума высокой интенсивности может привести к потере слуха.**
- i) Держите посторонних на безопасном расстоянии от рабочей зоны. Любой, вошедший в рабочую зону, должен надевать средства индивидуальной защиты. Осколки обрабатываемого предмета или сломавшийся диск могут отлетать в сторону и привести к травмам за пределами участка непосредственно работы.**
- j) Удерживайте электроинструмент только за изолированные захватные поверхности при выполнении операций, когда режущий аксессуар может контактировать со скрытой проводкой или собственным шнуром питания. Режущий аксессуар,**

контактирующий с проводом под напряжением, может проводить напряжение на металлические части электроинструмента и стать причиной удара оператора электрическим током.

- к) Держите шнур питания подальше от вращающегося аксессуара. Если вы потеряете контроль, шнур может быть перерублен или поврежден, а ваши руки могут быть затянуты во вращающийся диск.**
- l) Никогда не кладите электроинструмент, пока аксессуар не остановится полностью. Вращающийся диск может зацепиться за поверхность, и вы потеряете контроль над электроинструментом.**
- m) Не запускайте электроинструмент во время его переноски. Случайный контакт с вращающимся аксессуаром может зацепить одежду, затягивая аксессуар к вашему телу**
- n) Регулярно очищайте вентиляционные отверстия электроинструмента. Вентилятор электродвигателя затягивает пыль внутрь корпуса; избыточное скопление металлического порошка может привести к поражению электрическим током.**
- o) Не используйте электроинструмент рядом с горючими материалами. Искры могут воспламенить эти материалы.**
- p) Не используйте аксессуары, для которых необходимы охлаждающие жидкости. Использование воды или других охлаждающих жидкостей может привести к поражению электрическим током.**
- q) Вы не должны отпускать рукоятку инструмента во время работы. Всегда используйте вспомогательные рукоятки, поставляемые в комплекте с инструментом. Потеря контроля может привести к травме.**

ДОПОЛНИТЕЛЬНЫЕ ИНСТРУКЦИИ ПО БЕЗОПАСНОСТИ ДЛЯ ВСЕХ ВИДОВ РАБОТ

Отдача и соответствующие предостережения

Отдача представляет собой случайную реакцию на заклинивший или зацепившийся вращающийся диск, диск-подошву, щетку или любой другой аксессуар. Заклинивание или зацепление вызывает быстрое торможение вращающегося аксессуара, что, в свою очередь, приводит к неконтролируемому движению электроинструмента в направлении, обратном вращению аксессуара в точке заедания.

Например, если абразивный диск зацепился или застрял в обрабатываемом предмете, край диска, который входит в точку защемления, может вознестись на поверхность материала, что приведет к выскакиванию или отскакиванию диска. Диск может отскочить в сторону от оператора или в направлении оператора, в зависимости от направления движения диска в точке заклинивания.

Абразивные диски в этих условиях также могут сломаться.

Отдача является результатом неправильного использования электроинструмента и/или неправильных рабочих процедур или условий, и ее можно избежать, приняв надлежащие меры безопасности, приведенные ниже.

- a) Прочно удерживайте электроинструмент и держите тело и руки так, чтобы противостоять силам отдачи. Всегда используйте дополнительную рукоятку, при ее наличии, для максимального контроля отдачи или реакции скручивания во время запуска.**
Оператор может контролировать реакцию скручивания или силы отдачи, если приняты надлежащие меры безопасности.
- b) Никогда не помещайте руку рядом с вращающимся аксессуаром.**
Аксессуар может под воздействием отдачи сместиться в сторону вашей руки.
- c) Не располагайте тело в зоне, куда будет отброшен электроинструмент в случае возникновения отдачи.**
Отдача откинет инструмент в направлении, противоположном движению диска на момент зацепления.
- d) Соблюдайте особую осторожность при работе на углах, острых краях и т.д. Избегайте подскокивания и зацепления аксессуара. Углы, острые края или подскокивание могут стать причиной зацепления вращающегося аксессуара и привести к потере контроля или отдаче.**
- e) Не закрепляйте пильную цепь, лобзикový режущий диск или зубчатый пильный диск. Такие режущие диски часто являются причиной отдачи и потери контроля.**

- c) Кожух необходимо прочно закрепить на электроинструменте и установить максимально безопасно, чтобы как можно меньшая часть круга была направлена на оператора.** Кожух помогает защитить оператора от фрагментов сломанного круга и случайного соприкосновения с кругом.
- d) Круги должны использоваться только для рекомендованных способов применения. Например, запрещается шлифовать боковой стороной круга, предназначенного для абразивного отрезания.** Круги для абразивного резания предназначены для резки периферией круга; приложении боковых усилий к таким кругам может вызвать их разрушение.
- e) Для используемого круга всегда используйте неповрежденные фланцы круга соответствующего размера и формы.** Соответствующие фланцы круга поддерживают круг, уменьшая возможность его разрушения. Фланцы кругов для отрезания могут отличаться от фланцев шлифовальных кругов.
- f) Не используйте изношенные круги с электроинструментами большего размера.** Круг, предназначенный для электроинструмента большего размера, не подходит для более высокой скорости вращения инструмента меньшего размера и может лопнуть.

ДОПОЛНИТЕЛЬНЫЕ ИНСТРУКЦИИ ПО БЕЗОПАСНОСТИ ПРИ ВЫПОЛНЕНИИ РЕЗКИ

Дополнительные предостережения, касающиеся безопасности при выполнении абразивной отрезки:

ПРЕДУПРЕЖДЕНИЯ О БЕЗОПАСНОСТИ, СПЕЦИФИЧНЫМ ДЛЯ ОПЕРАЦИИ ШЛИФОВАНИЯ И АБРАЗИВНОЙ РЕЗКИ:

- a) Используйте круги только такого типа, который рекомендуется для вашего электроинструмента, и специальные кожух, предназначенный для используемого круга.** Непредназначенные для этого электроинструмента круги невозможно оградить, и они являются небезопасными.
- b) Шлифовальная поверхность центровых вдавленных кругов должна быть установлена ниже плоскости защитного края. Неправильно установленные круги, края которых выходят за плоскость защитного края, не могут быть в достаточной мере защищены.**
- a) Не “зажимайте” диск или не прикладывайте избыточное давление. Не пытайтесь сделать пропил избыточной глубины. Перенапряжение диска увеличивает нагрузку и возможность скручивания или заедания диска в пропиле, а также вероятность отдачи или поломки диска.**
- b) Не располагайте тело на одной линии и позади вращающегося диска. Когда диск в точке работы движется от вас, отдача может откинуть вращающийся диск и инструмент непосредственно в вашем направлении.**
- c) Когда диск заедает, или при прерывании пропила по любой причине, выключите электроинструмент и держите его неподвижно до тех пор, пока диск не остановится полностью. Никогда не пытайтесь извлечь диск из распила, пока диск еще движется, в противном случае это может привести к отдаче.**

Проверьте и примите корректирующие действия, чтобы устранить причину заедания диска.

- d) Не перезапускайте операцию реза в обрабатываемом предмете. Дайте диску набрать полную скорость вращения и осторожно введите его в распил.** Диск может согнуться, сместиться или вызвать отдачу, если перезапустит электроинструмент в обрабатываемом предмете.
- e) Обеспечьте опору панелей или любого обрабатываемого предмета большого размера, чтобы свести к минимуму риск заклинивания диска и отдачи.** Большие обрабатываемые предметы имеют тенденцию провисать под собственным весом. Опоры должны располагаться под обрабатываемым предметом рядом с линией реза и рядом с краем обрабатываемого предмета с обеих сторон от диска.
- f) Соблюдайте особую осторожность при выполнении “выреза” в существующих стенах или других мертвых зонах.** Выступающий диск может задеть газовые или водяные трубы, электрическую проводку или предметы, которые могут привести к отдаче.



Отходы электротехнической продукции не следует утилизировать с бытовыми отходами. Они должны быть доставлены в местный центр утилизации для надлежащей переработки.

ПЕРЕЧЕНЬ КОМПОНЕНТОВ

1. КНОПКА БЛОКИРОВКИ ШПИДЕЛЯ
2. ПРЕДОХРАНИТЕЛЬНЫЙ КОЖУХ ШЛИФОВАЛЬНОГО ДИСКА
3. ДОПОЛНИТЕЛЬНАЯ РУКОЯТКА
4. ВЫКЛЮЧАТЕЛЬ
5. ВОЗДУШНЫЙ ФИЛЬТР
6. ВНЕШНИЙ ФЛАНЕЦ
7. ВНУТРЕННИЙ ФЛАНЕЦ
8. ШПИДЕЛЬ
9. ГАЕЧНЫЙ КЛЮЧ

Не все показанные или описанные аксессуары включены в стандартную поставку.

УСЛОВНЫЕ ОБОЗНАЧЕНИЯ

	Для уменьшения риска получения травм, пользователь обязан прочитать руководство по эксплуатации
	Двойная изоляция
	Предостережение
	Носите защиту органов слуха
	Носите защиту органов зрения
	Носите пылезащитную маску
	Носите защитные перчатки
	Перед любыми работами на самом устройстве извлеките вилку из розетки.

ТЕХНИЧЕСКИЕ ДАННЫЕ

Тип: **KUS10P KUS05P (S10P/S05P-обозначение инструмента, Угловая шлифовальная машина)**

	KUS10P	KUS05P
Номинальное напряжение	230-240V-50Hz	
Номинальная мощность	900W	
Номинальная скорость	11000/min	
Класс защиты	□/II	
Резьба шпинделя	M14	
Размер диска	125mm	115mm
Отверстие диска	22.2mm	
Вес машины	1.5kg	

АКСЕССУАРЫ

Гаечный ключ	1
Дополнительная рукоятка	1
Предохранительный кожух шлифовального диска	1

Мы рекомендуем вам приобрести аксессуары, перечисленные в приведенном выше списке, в том же магазине, где вам продали инструмент. Для получения дополнительной информации см. упаковку. Сотрудники магазина смогут помочь вам и дать совет.

ХАРАКТЕРИСТИКИ ШУМА И ВИБРАЦИИ

Звуковое давление	$L_{PA} = 94,3 \text{ dB(A)}$
Акустическая мощность	$L_{WA} = 105,3 \text{ dB(A)}$
K_{PA} & K_{WA}	3 dB(A)

Наденьте защитные наушники



При неправильном обращении данное устройство может стать причиной синдрома дрожания рук



ВНИМАНИЕ: для точной оценки воздействия вибрации во время эксплуатации необходимо также учитывать все этапы рабочего процесса, включая время, когда устройство выключено или включено, но бездействует. Эти перерывы значительно снижают общее влияние вибрации в ходе всего рабочего цикла.

Следующие рекомендации помогут снизить опасность воздействия вибрации при работе. Проводите техобслуживание в соответствии с указаниями, тщательно смазывайте устройство в соответствующих местах. Если устройство используется регулярно, приобретите противовибрационные средства. Избегайте применения устройства при температурах ниже 10°C. Распределите задачи так, чтобы работы, сопровождающиеся высоким уровнем вибрации, проводились через большие промежутки времени.

ИНСТРУКЦИИ ПО ЭКСПЛУАТАЦИИ



ПРИМЕЧАНИЕ: Перед использованием инструмента внимательно прочитайте инструкцию.

ПРЕДНАЗНАЧЕННОЕ ИСПОЛЬЗОВАНИЕ

Эта машина предназначена для резки, черновой обработки и щеточной очистки металлических и каменных материалов без использования воды. Для резки металла необходимо использовать специальный защитный кожух для резки (аксессуар).

СБОРКА И ЭКСПЛУАТАЦИЯ

ДЕЙСТВИЯ	РИСУНОК
СБОРКА	
Сборка дополнительной рукоятки Предостережение! Всегда используйте дополнительную рукоятку при работе с машиной.	См. Рис. А
Сборка шлифовального / режущего диска	См. Рис. В
Регулировка зажима внешнего фланца	См. Рис. С1, С2

ХАРАКТЕРИСТИКИ ВИБРАЦИИ

Суммарные значения вибрации, определенные согласно EN 60745:

шлифование поверхности	Уровень вибрации
	$a_{h,AG} = 8,14 \text{ m/s}^2$
	Погрешность $K = 1.5 \text{ m/s}^2$

– заявленный общий показатель вибрации был измерен в соответствии со стандартным методом испытаний и может использоваться для сопоставления разных инструментов.
– кроме того, заявленный общий показатель вибрации может использоваться для предварительной оценки воздействия.



ВНИМАНИЕ: вибрация, производимая при работе механизированного инструмента, может отличаться от заявленных значений в зависимости от способов использования устройства. Ниже перечислены некоторые условия, от которых зависит интенсивность вибрации:

Способ использования инструмента и обработки материала.

Состояние инструмента и уровень техобслуживания
Тип используемых принадлежностей и их техническое состояние.

Сила удержания рукояток и наличие противовибрационных средств.

Используемые рабочие инструменты, соответствие применения инструментов их назначению.

<p>Регулировка предохранительного кожуха диска</p> <p>Примечание: Перед выполнением любых работ на машине извлеките вилку питания из розетки. Для работы с шлифовальными или режущими дисками необходимо установить защитный кожух.</p> <p>Поместите защитный кожух в паз на муфте шпинделя и поверните его в требуемое рабочее положение. Зажмите защитный кожух при помощи винта. Шлифовальный диск должен свободно вращаться в защитном кожухе.</p> <p>Закрыва́тая сторона защитного кожуха всегда должна быть направлена в сторону оператора.</p>	См. Рис. D
ЭКСПЛУАТАЦИЯ	
Использование выключателя	См. Рис. E
Зоны захвата рукой	См. Рис. F
<p>Грубое шлифование</p> <p> Предостережение! Запрещается режущий диск для черновой обработки.</p>	
<p>Резка</p> <p> Предостережение! При резке металла необходимо всегда устанавливать защитный кожух режущего диска.</p>	См. Рис. G
<p>Автоматическая остановка угловых щеток</p> <p>Примечание: Когда резиновый изолирующий наконечник (11) внутри угольной щетки (12) оказывается в контакте с коммутатором (10), он автоматически отключает двигатель. Когда это происходит, обе угольные щетки должны быть заменены. Содержите угольные щетки в чистоте и не допускайте их скольжения в держателях. Обе угольные щетки подлежат одновременной замене. Используйте только идентичные угольные щетки.</p>	См. Рис. H
<p>Регулярная очистка воздушного фильтра</p> <p>Примечание: Воздушный фильтр необходимо очистить после использования машины в течение некоторого времени.</p>	См. Рис. I

РЕКОМЕНДАЦИИ ПО ИСПОЛЬЗОВАНИЮ УГЛОВОЙ ШЛИФОВАЛЬНОЙ МАШИНЫ

Если ваш электроинструмент становится слишком горячим, дайте ему поработать без нагрузки в течение 2-3 минут, чтобы охладить двигатель. Запрещается запускать угловую шлифовальную машину, когда диск / аксессуар находится в контакте с заготовкой.

Всегда запускайте инструмент без нагрузки, дождитесь, пока он достигнет максимальной скорости, а затем начинайте работу. Не форсируйте скорость работы диска, снижение скорости движения диска означает увеличение его срока службы.

Всегда работайте, поддерживая угол 15° ~ 30° между диском и заготовкой. Большой угол приведет к образованию выступов на заготовке и повлияет на обработку поверхности. Перемещайте угловую шлифовальную машину вдоль поверхности заготовки.

При использовании режущего диска никогда не меняйте угол реза, в противном случае это приведет к срыву диска и остановке двигателя угловой шлифовальной машины, либо поломке диска.

При резке выполняйте работу только в направлении, противоположном вращению диска. Если вы будете выполнять резку в направлении, совпадающем с направлением вращения диска, диск может вытолкнуть себя из пропила.

При резке очень твердого материала наилучших результатов можно достичь с помощью алмазного диска.

Алмазный диск сильно нагревается при использовании. Если это произойдет, вы увидите кольцо искр вокруг вращающегося диска.

Прекратите резку и дайте диску остыть при работе без нагрузки в течение 2-3 минут.

Всегда проверяйте надежность фиксации заготовки, чтобы предотвратить ее смещение.

ТЕХНИЧЕСКОЕ ОБСЛУЖИВАНИЕ

До выполнения любых работ по регулировке, обслуживанию и уходу следует вынуть вилку электропитания из розетки.

Данный электроинструмент не требует дополнительной смазки или технического обслуживания.

В данном инструменте отсутствуют детали, подлежащие обслуживанию пользователем. Никогда не используйте воду или химические чистящие средства для очистки вашего электроинструмента. Протирайте его сухой тканью. Всегда храните электроинструмент в сухом месте. Содержите в чистоте вентиляционные отверстия двигателя. Не допускайте попадания пыли на

все рабочие органы управления. Иногда через вентиляционные отверстия можно увидеть искры. Это нормально и повредит ваш электроинструмент. Если шнур питания поврежден, он должен быть заменен производителем, его сервисным агентом или специалистами с аналогичной квалификацией, чтобы избежать опасности.

ЗАЩИТА ОКРУЖАЮЩЕЙ СРЕДЫ



Отходы электротехнической продукции не следует утилизировать с бытовыми отходами.

Они должны быть доставлены в местный центр утилизации для надлежащей переработки.

ДЕКЛАРАЦИЯ СООТВЕТСТВИЯ

Мы,
Positec Germany GmbH
Postfach 32 02 16, 50796 Cologne, Germany

Заявляет, что изделие
Описание **Угловая шлифовальная машина**
Модели **KUS10P KUS05P (S10P/S05P-
обозначение инструмента, Угловая
шлифовальная машина)**
Назначение **периферических и боковых
шлифовальных**

Соответствует положениям Директив,
2006/42/EC
2011/65/EU&(EU)2015/863
2014/30/EU


и стандартам
EN 55014-1
EN 55014-2
EN IEC 61000-3-2
EN 61000-3-3
EN 60745-1
EN 60745-2-3

Лицо с правом компилирования данного
технического файла,
Имя Marcel Filz
Адрес Positec Germany GmbH,
Postfach 32 02 16, 50796 Cologne, Germany



2022/06/22
Allen Ding
Заместитель главного инженера,
тестирование и сертификация
Positec Technology (China) Co., Ltd
18, Dongwang Road, Suzhou Industrial
Park, Jiangsu 215123, P. R. China

INSTRUKCJAORYGINALNA OGÓLNE OSTRZEŻENIA DOTYCZĄCE BEZPIECZEŃSTWA PODCZAS PRACY Z ELEKTRONARZĘDZIAMI

 **UWAGA** Należy przeczytać wszystkie przepisy. Błędy w przestrzeganiu następujących przepisów mogą spowodować porażenie prądem, pożar i/lub ciężkie obrażenia ciała.

Należy dobrze przechowywać te przepisy. Użyte w dalszej części pojęcie „elektronarzędzie” odnosi się do elektronarzędzi napędzanych prądem (z kablem zasilającym) i do elektronarzędzi napędzanych akumulatorami (bez kabla zasilającego).

1) Miejsce pracy

- a) Miejsce pracy należy utrzymywać w czystości i dobrze oświetlone.** Nieporządek i nie oświetlane zakresy pracy mogą doprowadzić do wypadków.
- b) Nie należy pracować tym narzędziem w otoczeniu zagrożonym wybuchem, w którym znajdują się np. łatwopalne ciecze, gazy lub pyły.** Elektronarzędzia wywołują iskry, które mogą podpalić ten pył lub pary.
- c) Elektronarzędzie trzymać podczas pracy z daleka od dzieci i innych osób.** Przy odwróceniu uwagi można stracić kontrolę nad narzędziem.

2) Bezpieczeństwo elektryczne

- a) Wtyczka urządzenia musi pasować do gniazda. Nie wolno zmieniać wtyczki w jakikolwiek sposób. Nie należy używać wtyczek adapterowych razem z uzziemionymi narzędziami.** Niezmienione wtyczki i pasujące gniazda zmniejszają ryzyko porażenia prądem.
- b) Należy unikać kontaktu z uzziemionymi powierzchniami jak rury, grzejniki, piece i lodówki.** Istnieje zwiększone ryzyko porażenia prądem, gdy Państwa ciało jest uzziemione.
- c) Urządzenie należy trzymać zabezpieczone przed deszczem i wilgocią.** Wniknięcie wody do elektronarzędzia podwyższa ryzyko porażenia prądem.
- d) Nigdy nie należy używać kabla do innych czynności. Nigdy nie używać kabla do noszenia urządzenia za kabel, zawieszenia lub do wyciągania wtyczki z gniazda. Kabel należy trzymać z daleka od wysokich temperatur, oleju; ostrych krawędzi lub ruchomych części urządzenia.** Uszkodzone lub poplątane kable zwiększają ryzyko porażenia prądem.
- e) W przypadku, że elektronarzędziem pracuje się na świeżym powietrzu należy używać kabla przedłużającego, który dopuszczony jest do używania na zewnątrz. Użycie dopuszczonego do używania na zewnątrz kabla przedłużającego zmniejsza ryzyko porażenia prądem.**
- f) Jeśli nie można uniknąć posługiwania się elektronarzędziem w miejscu o dużej wilgotności należy użyć zabezpieczonego zasilacza domowego (RCD). Stosowanie RCD zmniejsza ryzyko porażenia prądem elektrycznym.**
- ## 3) Bezpieczeństwo osób
- a) Należy być uważnym, zważać na to co się robi i pracę elektronarzędziem rozpoczynać z rozsądkiem. Nie należy używać urządzenia gdy jest się zmęczonym lub pod wpływem narkotyków, alkoholu lub leków.** Moment nieuwagi przy użyciu urządzenia może doprowadzić do poważnych obrażeń ciała.
- b) Należy nosić osobiste wyposażenie ochronne i zawsze okulary ochronne.** Noszenie osobistego wyposażenia ochronnego jak maska przeciwpyłowa, nie ślizgające się buty robocze, hełm ochronny lub ochrona słuchu, w zależności od rodzaju i użycia elektronarzędzia zmniejsza ryzyko obrażeń ciała.
- c) Należy zapobiec przypadkowemu uruchomieniu. Przed podłączeniem do sieci zasilającej i/lub zestawu baterii, podniesieniem urządzenia i przenoszeniem urządzenia należy sprawdzić, czy przełącznik znajduje się w pozycji wyłączenia.** W przypadku, że przy noszeniu urządzenia trzyma się palec na włączniku/wyłączniku lub włączone urządzenie podłączone zostanie do prądu, to może to doprowadzić do wypadków.
- d) Zanim urządzenie zostanie włączone należy usunąć narzędzia nastawcze lub klucze.** Narzędzie lub klucz, które znajdują się w ruchomych częściach urządzenia mogą doprowadzić do obrażeń ciała.
- e) Nie należy przeceniać swoich możliwości. Należy dbać o bezpieczną pozycję pracy i zawsze utrzymywać równowagę.** Przez to możliwa jest lepsza kontrola urządzenia w nieprzewidzianych sytuacjach.
- f) Należy nosić odpowiednie ubranie. Nie należy nosić luźnego ubrania lub biżuterii. Włosy, ubranie i rękawice należy trzymać z daleka od ruchomych części.** Luźne ubranie, biżuteria lub długie włosy mogą zostać ujęte przez poruszające się części.
- g) W przypadku, że możliwe jest zamontowanie urządzeń odsysających lub podchwytyjących należy upewnić się, czy są one właściwie podłączone i prawidłowo użyte.** Użycie tych urządzeń zmniejsza zagrożenie spowodowane pyłami.
- ## 4) Staranne obcowanie oraz użycie elektronarzędzi
- a) Nie należy przeciążać urządzenia. Do pracy używać należy elektronarzędzia, które jest do tego przewidziane.** Odpowiednim narzędziem pracuje się lepiej i

bezpieczniej w podanym zakresie sprawności.

- b) **Nie należy używać elektronarzędzia, którego włącznik/wyłącznik jest uszkodzony.** Elektronarzędzie, którego nie można włączyć lub wyłączyć jest niebezpieczne i musi zostać naprawione.
 - c) **Należy odłączyć wtykę od źródła zasilania i/lub zestawu baterii, przed wykonaniem jakichkolwiek regulacji, zmiany akcesoriów lub podczas przechowywania elektronarzędzi.** Ten środek ostrożności zapobiega niezamierzonemu włączeniu się urządzenia.
 - d) **Nie używane elektronarzędzia należy przechowywać poza zasięgiem dzieci. Nie należy dać narzędzia do użytku osobom, które jego nie znają lub nie przeczytały tych przepisów.** Używane przez niedoświadczonych osoby elektronarzędzia są niebezpieczne.
 - e) **Urządzenie należy pieczołowicie pielęgnować. Należy kontrolować, czy ruchome części urządzenia funkcjonują bez zarzutu i nie są zablokowane, czy części nie są pęknięte lub uszkodzone, co mogłoby mieć wpływ na prawidłowe funkcjonowanie urządzenia. Uszkodzone części należy przed użyciem urządzenia oddać do naprawy.** Wiele wypadków spowodowanych jest przez niewłaściwą konserwację elektronarzędzi.
 - f) **Narzędzia tnące należy utrzymywać ostre i czyste.** Starannie pielęgnowane narzędzia tnące z ostrymi krawędziami tnącymi zablokowują się rzadziej i łatwiej się je prowadzi.
 - g) **Elektronarzędzia, osprzęt, narzędzia itd. należy używać odpowiednio do tych przepisów i tak, jak jest to przewidziane dla tego specjalnego typu urządzenia. Uwzględnić należy przy tym warunki pracy i czynność do wykonania.** Użycie elektronarzędzi do innych niż przewidziane prace może doprowadzić do niebezpiecznych sytuacji.
- 5) **Serwis**
- a) **Naprawę urządzenia należy zlecić jedynie kwalifikowanemu fachowcowi i przy użyciu oryginalnych części zamiennych.** To gwarantuje, że bezpieczeństwo urządzenia zostanie zachowane.

INSTRUKCJĘ BEZPIECZEŃSTWA DLA WSZYSTKICH OPERACJI

Ostrzeżenia bezpieczeństwa dotyczące operacji szlifowania lub cięcia:

- a) **To narzędzie jest przeznaczone do pracy jako szlifierka grinder. Należy przeczytać wszystkie ostrzeżenia dotyczące bezpieczeństwa, instrukcje, zapoznać się z rysunkami i przedstawionymi danymi technicznymi.** *Nieprzestrzeganie*

wszystkich instrukcji przedstawionych poniżej może spowodować porażenie elektryczne, pożar i/lub poważne zranienia.

- b) **Nie zalecane jest wykonywanie prac takich jak szlifowanie, szcztokowanie, polerowanie lub cięcie przy użyciu tego narzędzia.** *Wykonywanie prac niezgodnych z przeznaczeniem urządzenia może stwarzać niebezpieczeństwo i spowodować poranienia*
- c) **Nie można używać akcesoriów, które nie zostały specjalnie zaprojektowane i nie są zalecane przez producenta narzędzia,** *To, że dowolne akcesoria da się podłączyć do urządzenia, nie gwarantuje bezpiecznej pracy.*
- d) **Prędkość znamionowa dołączanych akcesoriów musi być co najmniej równa prędkości maksymalnej podanej na narzędziu,** *Akcesoria pracujące z prędkością wyższą od ich prędkości znamionowej mogą się rozlecieć.*
- e) **Średnica zewnętrzna oraz grubość akcesoriów musi zawierać się w granicach znamionowych dla narzędzia.** *Nieprawidłowo dobrane pod względem rozmiaru akcesoria nie mogą być prawidłowo zabezpieczone i kontrolowane.*
- f) **Narzędzia robocze z wkładką gwintowaną muszą dokładnie pasować na gwint na wrzecionie.** *W przypadku narzędzi roboczych, mocowanych przy użyciu kołnierza średnica otworu narzędzia roboczego musi być dopasowana do średnicy kołnierza.* *Narzędzia robocze, które nie mogą być dokładnie osadzone na elektronarzędziu, obracają się nierównomiernie, bardzo mocno wibrują i mogą spowodować utratę kontroli nad elektronarzędziem.*
- g) **Nie można używać uszkodzonych akcesoriów.** *Przed każdym użyciem akcesoria należy sprawdzić w zakresie pęknięć i zadrapań tarcz ściernych, pęknięć płyt mocujących, złamań lub nadmiernego zużycia, braku lub pęknięć na drutach szcztok.* *Jeśli urządzenie lub akcesoria spadną, należy sprawdzić, czy nie uległy uszkodzeniu lub zamontować oprzyrządowanie nieuszkodzone.* *Po sprawdzeniu i zamontowaniu oprzyrządowania, użytkownik i osoby postronne muszą zająć pozycję z dala od płaszczyzny wirowania akcesoriów, a następnie na jedną minutę uruchomić narzędzie przy maksymalnej prędkości bez obciążenia.* *Podczas tego testu uszkodzone akcesoria po prostu rozpadną się.*
- h) **Należy stosować sprzęt ochrony osobistej.** *zależnie od prowadzonych prac należy stosować osłonę twarzy, okulary bezpieczeństwa lub gogle zabezpieczające.* *W razie potrzeby należy zastosować maskę przeciwpyłową, nauszniki, rękawice i filtr zabezpieczający przed małymi cząstkami.* *Oslona oczu powinna zatrzymać cząstki lotne wytwarzane przy różnych pracach.*

Maska przeciwpyłowa lub respirator muszą być w stanie zatrzymać cząstki wytwarzane przy danej operacji. Przebywanie przez dłuższy czas w hałasie o dużym natężeniu może spowodować utratę słuchu

i) Osoby postronne powinny przebywać w bezpiecznej odległości od obszaru pracy. Każdy wchodzący w obszar pracy musi używać odpowiedni sprzęt ochronny.

Fragmnty cząstek lub uszkodzonych akcesoriów mogą uderzyć raniąc człowieka, nawet poza obszarem bezpośredniej pracy.

j) Kabel należy ułożyć z dala od elementów wirujących. *Po utracie kontroli, kabel może zostać przecięty bądź wplątany, a ręka lub ramię zostać wciągnięte przez element obracający się.*

k) Position the cord clear of the spinning accessory. *If you lose control, the cord may be cut or snagged and your hand or arm may be pulled into the spinning accessory.*

l) Narzędzia nie można odkładać po wyłączeniu zasilania, aż do chwili zatrzymania elementu obrotowego.

Elementy obracające się mogą zatarte o powierzchnię, co spowoduje utratę nad nimi kontroli,

m) Narzędzia nie można włączać podczas przenoszenia. *Przypadkowe dotknięcie obracających się elementów może spowodować wciągnięcie ubrania i uderzenie elementem.*

n) Regularnie należy czyścić otwory wentylacyjne narzędzia. *Wentylator silnika powoduje wciąganie do wnętrza kurzu i zbyt duże nagromadzenie opiłków metalu może spowodować zagrożenie porażeniem elektrycznym*

o) Urządzenie nie może pracować w pobliżu materiałów palnych. *Iskry mogą spowodować zapłon tych materiałów.*

p) Nie można używać akcesoriów, które wymagają chłodzenia cieczą. *Używanie wody lub innych cieczy może spowodować porażenie prądem nawet śmiertelne*

q) Podczas pracy ręka powinna trzymać uchwyt. *Należy zawsze korzystać z pomocniczych uchwytów dostarczonych z narzędziem. Utrata kontroli może spowodować obrażenia osobiste*

DALSZE INSTRUKCJE BEZPIECZEŃSTWA DLA WSZYSTKICH OPERACJI

Odbicie i związane z tym zagrożenia

Odbicie jest gwałtowną reakcją na zablokowanie lub zakleszczenie obracającego się koła płyty podstawy, szcztotki lub innych akcesoriów. Zablokowanie lub zakleszczenie powoduje nagłe zatrzymanie obracających się akcesoriów, które z kolei spowoduje wytworzenie siły skierowanej przeciwnie do kierunku obrotów w punkcie zablokowania.

Na przykład, jeśli tarcza ścierna jest pęknięta lub zarysowana, jej zablokowanie lub zakleszczenie w obrabianym elemencie może spowodować jej

podniesienie lub odbicie. Koło może gwałtownie przesunąć się w stronę operatora lub w kierunku przeciwnym, zależnie od kierunków obrotu koła w punkcie zakleszczenia. W takim przypadku tarcza ścierna może również pęknąć.

Odbicie jest wynikiem nieprawidłowego wykorzystania narzędzia i/lub nieprawidłowych procedur lub warunków pracy i można go uniknąć stosując się do poniższych zaleceń.

a) Należy pewnie chwycić uchwyt narzędzia i przyjąć postawę ciała i ramienia, które pozwolą opanować siłę odbicia. Zawsze należy używać rączki pomocniczej, jeśli jest dostarczona, dla zachowania maksymalnej kontroli przy odbiciu lub podczas działania momentu obrotowego przy uruchamianiu. *Operator może kontrolować siły odbicia lub od momentu przy uruchamianiu, jeśli będzie przestrzegał odpowiednich zaleceń.*

b) Nie można chwytać narzędzia w pobliżu elementów obracających się. *Akcesoria mogą spowodować odbicie w rękę.*

c) Nie można zajmować pozycji w płaszczyźnie działania siły odbicia, *Odbicie spowoduje ruch urządzenia w kierunku przeciwnym do ruchu koła w punkcie zakleszczenia.*

d) Należy zachować szczególną ostrożność podczas pracy w rogach, przy ostrych krawędziach, itp., unikać blokowania lub zakleszczania akcesoriów. *Rogi, ostre krawędzie lub odskoczenie mogą blokować obracające się elementy i powodować utratę kontroli nad narzędziem lub odbicie.*

e) Nie należy zakładać tarcz z łańcuchem do cięcia drewna lub tarcz z zębami. *Mogą one powodować częste odbicia i utratę kontroli.*

OSTRZEŻENIA DOTYCZĄCE BEZPIECZEŃSTWA SPECYFICZNE DLA SZLIFOWANIA I CIĘCIA ŚCIERNICĄ:

a) Zawsze należy stosować osłonę przewidzianą do wykorzystywanych tarcz. Osłonę należy bezpiecznie przymocować do narzędzia i ustawić dla zapewnienia maksymalnego bezpieczeństwa, aby jak najmniejsza część tarczy zagrażała operatorowi. *Osłona zabezpiecza operatora przed kawałkami tarczy i przypadkowym jej dotknięciem.*

b) Tarcze szlifierskie wygięte należy mocować w taki sposób, aby ich powierzchnia szlifująca nie wystawała poza krawędź pokrywy ochronnej. *Niefachowo osadzona tarcza szlifierska, wystająca poza krawędź pokrywy ochronnej nie może być wystarczająco osłonięta.*

- c) **Należy używać wyłącznie tarcz zalecanych dla danego narzędzia i specjalnych osłon zaprojektowanych dla konkretnych tarcz.** Tarczowe ściernice tnące przeznaczone są do usuwania materiału krawędzią tarczy. Wpływ sił bocznych na te ściernice może je złamać.
- d) **Tarcze mogą być używane wyłącznie w zalecanych zastosowaniach. Na przykład: Nie można szlifować krawędzią tarczy tnącej.** Ściernie tarcze tnące są przewidziane do ścierania zewnętrznego, obciążenie ich siłą z boku może spowodować ich rozpadnięcie.
- e) **Zawsze należy stosować nieszkodzone kołnierze tarcz, o prawidłowym rozmiarze i kształcie dla danej tarczy.** Prawidłowe kołnierze tarcz podtrzymują tarczę zmniejszając niebezpieczeństwo pęknięcia. Kołnierze dla tarcz tnących mogą różnić się od kołnierzy dla tarcz ściernych,
- f) **Nie można używać zużytych tarcz z większych narzędzi.** Tarcze przeznaczone do stosowania z większymi narzędziami nie są odpowiednie do pracy z wyższymi prędkościami mniejszych narzędzi i mogą się spalić.

DODATKOWE INSTRUKCJE BEZPIECZEŃSTWA DOTYCZĄCE OPERACJI CIĘCIA

Dodatkowe ostrzeżenia bezpieczeństwa dotyczące cięcia ściernego:

- a) **Nie można dopuścić do zakleszczenia tarczy tnącej lub przykładać zbyt dużej siły.** Nie można wycinać zbyt głęboko. Przeciążenie tarczy spowoduje większą podatność na odkształcenia lub zakleszczenia w wycięciu i możliwość odbicia lub rozpadnięcia koła.
- b) **Nie można stawać w linii obracającej się tarczy.** Jeśli tarcza w punkcie pracy kręci się w kierunku odwrotnym do ciała, odbicie może spowodować przesunięcie narzędzia bezpośrednio w stronę użytkownika.
- c) **Po zakleszczeniu tarczy lub przerwaniu cięcia z dowolnego powodu, narzędzie należy wyłączyć i przytrzymać do całkowitego zatrzymania tarczy. Nie można wyjmować tarczy z wycięcia jeśli się obraca, może to spowodować odbicie.** Należy sprawdzić możliwość zakleszczenia tarczy i podjąć środki zapobiegawcze.
- d) **Nie można ponownie zaczynać operacji cięcia w elemencie.** Należy odczekać, aż tarcza odzyska prędkość znamionową i ponownie wprowadzić tarczę do wycięcia. Tarcza może się zakleszczyć, odbić lub wciągnąć narzędzie przy ponownym rozpoczynaniu pracy w wycięciu.
- e) **Panele i wszystkie inne elementy**

obrabiane należy podeprzeć, aby zmniejszyć ryzyko zakleszczenia lub odbicia tarczy. Większe elementy mogą się ugiąć pod własnym ciężarem. Podpory musi zostać umieszczone pod elementem w pobliżu linii cięcia i na krawędzi elementu po obu stronach tarczy.

- f) **Szczególną ostrożność należy zachować przy wykonywaniu nacięć kieszeniowych w ścianach lub innych pełnych elementach.** Tarcza może spowodować uszkodzenie rur gazowych lub wodnych, przewodów elektrycznych lub innych elementów, które spowodują odbicie.

SYMBOLE

	Abby zmniejszyć niebezpieczeństwo odniesienia obrażeń, użytkownik powinien przeczytać podręcznik z instrukcjami.
	Podwójna izolacja
	Ostrzeżenie
	Używać ochrony słuchu
	Używać ochrony wzroku
	Używać maski przeciwpyłowej
	Należy zakładać okulary ochronne
	Przed rozpoczęciem wykonywania jakichkolwiek czynności serwisowych należy odłączyć wtyczkę od gniazdka elektrycznego.
	Odpady wyrobów elektrycznych nie powinny być wyrzucane razem z odpadami gospodarstwa domowego. Należy korzystać z recyklingu, jeśli istnieje odpowiednia infrastruktura. Porady dotyczące recyklingu można uzyskać u władz lokalnych lub sprzedawcy detalicznego.

LISTA KOMPONENTÓW

1. **PRZYCISK ZABEZPIECZENIA WRZECIONA**
2. **OSŁONA TARCZY DO SZLIFOWANIA**
3. **UCHWYT POMOCNICZY**
4. **WŁĄCZNIK/WYŁĄCZNIK**
5. **FILTR POWIETRZA**
6. **NAKRĘTKA ZEWNĘTRZNA**
7. **NAKRĘTKA WEWNĘTRZNA**
8. **WRZECIONO**
9. **KLUCZ**

* Nie wszystkie pokazane na ilustracji akcesoria są dostarczane standardowo.

DANE TECHNICZNE

Typ **KUS10P KUS05P (S10P/S05P- oznaczenie urządzenia, reprezentuje Szlifierka kąтова)**

	KUS10P	KUS05P
Napięcie znamionowe	230-240V~50Hz	
Moc znamionowa	900W	
Prędkość znamionowa bez obciążenia	11000/min	
Podwójna izolacja		
Gwint wrzeciona	M14	
Rozmiar tarczy	125mm	115mm
Średnica tarczy	22.2mm	
Masa urządzenia	1.5kg	

AKCESORIA

Klucz	1
Rękojeść dodatkowa	1
Osłona tarczy do szlifowania	1

Zaleca się zakup wszystkich akcesoriów w sklepie, gdzie zakupiono narzędzie. Używać dobrej jakości akcesoriów oznaczonych dobrze znanymi markami. Więcej szczegółów można znaleźć w dodatkowym opakowaniu. Personel sklepu może również udzielić pomocy i porad.

DANE DOTYCZĄCE HAŁASU I WIBRACJI

Ważone ciśnienie akustyczne $L_{pA} = 94,3 \text{ dB(A)}$

Ważona moc akustyczna $L_{WA} = 105,3 \text{ dB(A)}$

$K_{pA} \& K_{WA} = 3 \text{ dB(A)}$

Używać ochrony słuchu.




INFORMACJE DOTYCZĄCE DRGAŃ

Łączna wartość drgań (suma wektora triax) określona według normy EN 60745:

Szlifowanie powierzchni	Wartość przenoszenia wibracji $a_{h,AG} = 8,14 \text{ m/s}^2$
	Niepewność $K = 1.5 \text{ m/s}^2$

– Deklarowana całkowita wartość drgań została zmierzona zgodnie ze standardowymi metodami badawczymi i może być wykorzystana do porównania jednego narzędzia z drugim;

– Zadeklarowana całkowita wartość wibracji może być wykorzystana do porównania jednego narzędzia z innym oraz może być użyta we wstępnej ocenie narażenia.

 **Ostrzeżenie:** Wartość emisji wibracji w czasie rzeczywistego używania elektronarzędzia może się różnić od zadeklarowanej, w zależności od sposobu używania narzędzia w następujących przykładach i innych sposobach używania narzędzia: Jak używane jest narzędzie oraz, czy materiał jest cięty czy wiercony.


Czy narzędzie jest w dobrym stanie i czy jest prawidłowo konserwowane.

Czy używane są prawidłowe akcesoria narzędzia i czy narzędzie jest właściwie naostrzone oraz w dobrym stanie.

Czy dokręcone są szczęki na uchwycie i czy używane są jakiegokolwiek akcesoria antybiracyjne.

Oraz, czy narzędzie jest używane zgodnie z przeznaczeniem i według instrukcji.

Nieprawidłowe prowadzenie tego narzędzia może spowodować syndrom wibracji rąk

 **Ostrzeżenie:** W szczególności, oszacowanie poziomu ekspozycji w rzeczywistych warunkach używania powinno brać także pod uwagę wszystkie elementy cyklu działania, takie jak czasy wyłączenia narzędzia i czas bezczynności, ale nie rzeczywiste wykonywaną pracę. Może to znacznie zmniejszyć poziom ekspozycji w całym okresie pracy. Pomoc w minimalizacji narażenia na wibracje.

Należy ZAWSZE używać ostrych dłut, wiertel i ostrzy. Narzędzie należy konserwować z godnie z instrukcjami i prawidłowo smarować (w odpowiednich miejscach). Jeśli narzędzie jest używane regularnie należy zakupić

akcesoria antywibracyjne.

Należy zaplanować harmonogram pracy w celu rozłożenia używania narzędzi wytwarzających wysoki poziom drgań na kilka dni.

INSTRUKCJA OBSŁUGI





UWAGA: Przed użyciem narzędzia należy uważnie przeczytać instrukcje.

Użycie zgodne z przeznaczeniem

Elektronarzędzie przewidziane jest do cięcia, ścierania i obrabiania za pomocą szczonek materiałów metalowych i kamiennych bez użycia wody. Do cięcia metalu należy użyć specjalnej pokrywy ochronnej (pokrywa ochronna do cięcia – do nabycia jako wyposażenie dodatkowe).

MONTAŻ I OBSŁUGA

DZIAŁANIE	RYСУNEK
MONTAŻ	
Zamontować uchwyt pomocniczy Ostrzeżenie! Podczas obsługi maszyny zawsze używaj dodatkowego uchwytu.	Zob. Rys. A
Zamontować tarczę szlifierską / tarczę tnącą	Zob. Rys. B
Wyreguluj zacisk kołnierza zewnętrznego	Zob. Rys. C1, C2
Wyreguluj osłonę koła Uwaga: Odłącz wtyczkę zasilania przed wykonaniem jakichkolwiek operacji na samym urządzeniu. Aby użyć tarczy do szlifowania lub cięcia, należy zainstalować osłonę tarczy. Umieść osłonę w rowku na kołnierzu wrzeczona i obróć ją do żądanej pozycji roboczej. Przytrzymaj pokrywę ochronną za pomocą śrub. Ściernica musi obracać się swobodnie wewnątrz osłony ochronnej. Zamknięta strona obudowy koła musi zawsze wskazywać na operatora.	Zob. Rys. D
OPERACJA	
Użyj włącznika / wyłącznika	Zob. Rys. E
Obszar chwytu	Zob. Rys. F
Zgrubne szlifowanie  OSTRZEŻENIE! Do cięcia metalu zawsze należy ciąć za pomocą osłony koła.	
Przytnij  OSTRZEŻENIE! Do cięcia metalu zawsze należy ciąć za pomocą osłony koła.	Zob. Rys. G

Szczotka węglowa Auto Stop

Uwaga: Gdy głowica izolacyjna z żywicy (11) wewnątrz szczotki węglowej (12) zostanie odkryta i zetknie się z komutatorem (10), automatycznie wyłączy silnik. Kiedy tak się stanie, należy wymienić dwie szczotki węglowe. Utrzymuj szczotki węglowe w czystości i swobodnie przesuwaj się po podstawie. Obie szczotki węglowe należy wymienić jednocześnie. Używaj tylko tego samego pędzla węglowego.

Zob. Rys. H

Regularnie czyść filtr powietrza

Uwaga: po pewnym czasie użytkowania urządzenia należy oczyścić filtr powietrza.

Zob. Rys. I

PORADY DOTYCZĄCE SZLIFIERKI KĄTOWEJ

Jeśli elektronarzędzie jest zbyt gorące, pozostaw je bezczynne przez 2-3 minuty, aby schłodzić silnik. Nigdy nie uruchamiaj szlifierki kątowej, gdy tarcza / akcesorium styka się z przedmiotem obrabianym.

Zawsze należy zaczynać bez obciążenia w celu uzyskania maksymalnej prędkości, a następnie rozpoczynać pracę.

Nie zmuszać tarczy do szybszej pracy, zmniejszanie prędkości poruszania się tarczy oznacza dłuższy czas pracy.

Zawsze należy pracować pod kątem 15-30 pomiędzy tarczą a obrabianym przedmiotem. Podczas szlifowania, większe kąty będą powodować wrznięcie się krawędzi do obrabianego przedmiotu, co wpłynie na wykończenie powierzchni. Przesuwać szlifierkę kątową w poprzek oraz w przód i w tył po powierzchni obrabianego przedmiotu.

Podczas używania tarczy tnącej nigdy nie należy zmieniać kąta cięcia, gdyż spowoduje to zatrzymanie silnika szlifierki lub uszkodzenie tarczy. W przypadku wykonywania cięcia zgodnie z obrotami tarczy, tarcza może sama wyskoczyć z rowka.

Podczas cięcia bardzo twardego materiału najlepsze rezultaty można osiągnąć stosując tarczę diamentową. Tarcza diamentowa rozgrzewa się znacznie podczas użycia. Gdy to się stanie, pojawi się pełny pierścień iskier wokół wirującej tarczy. Zatrzymać cięcie i pozwolić na 2-3 minutową pracę bez obciążenia w celu obniżenia temperatury.

Zawsze należy się upewnić, czy obrabiany przedmiot jest odpowiednio zabezpieczony.


KONSERWACJA

Przed dokonywaniem jakichkolwiek regulacji, obsługi technicznej lub konserwacji należy wyjąć wtyczkę z gniazdka.

W narzędziu nie ma żadnych części, które wymagałyby serwisowania przez użytkownika. Nigdy nie należy

używać wody czy środków czyszczących do czyszczenia narzędzia z napędem elektrycznym. Czyścić suchą szmatką. Zawsze należy przechowywać narzędzie w suchym miejscu. Utrzymywać w czystości otwory wentylacyjne silnika. Utrzymywać wszystkie urządzenia sterujące w czystości. W otworach wentylacyjnych mogą pojawiać się iskry, jest to normalne i nie spowoduje uszkodzenia narzędzia.. Jeśli uszkodzony zostanie przewód zasilający, aby uniknąć niebezpieczeństwa powinien zostać wymieniony przez producenta, przedstawiciela serwisu lub inną wykwalifikowaną osobę.

OCHRONA ŚRODOWISKA

 Odpady wyrobów elektrycznych nie powinny być wyrzucane razem z odpadami gospodarstwa domowego. Należy korzystać z recyklingu, jeśli istnieje odpowiednia infrastruktura. Porady dotyczące recyklingu można uzyskać u władz lokalnych lub sprzedawcy detalicznego.

DEKLARACJA ZGODNOŚCI

My,
Positec Germany GmbH
Postfach 32 02 16, 50796 Cologne, Germany

deklarujemy, że produkt,
Opis **Szlifierka kątowna**
Typ **KUS10P KUS05P (S10P/S05P- oznaczenie urzędzenia, reprezentuje Szlifierka kątowna)**
Funkcja **szlifowanie boczne i obwodowe**

jest zgodny z następującymi dyrektywami,
2006/42/EC
2011/65/EU&(EU)2015/863
2014/30/EU

Normy są zgodne z:
EN 55014-1
EN 55014-2
EN IEC 61000-3-2
EN 61000-3-3
EN 60745-1
EN 60745-2-3

Osoba upoważniona do kompilacji pliku technicznego,
Nazwa Marcel Filz
Adres Positec Germany GmbH
Postfach 32 02 16, 50796 Cologne, Germany



2022/06/22
Allen Ding
Zastępca głównego inżyniera, testowanie i certyfikacja
Positec Technology (China) Co., Ltd
18, Dongwang Road, Suzhou Industrial
Park, Jianguo 215123, P. R. China

ORIGINAL BRUGSANVISNING GENERELLE ADVARSLER I FORBINDELSE MED MASKINVÆRKTØJ



ADVARSEL! Læs samtlige anvisninger. Manglende overholdelse af nedenstående anvisninger kan resultere i elektrisk stød, brand og/eller alvorlig personskade.

Gem alle advarsler og instruktioner for fremtidig reference.

Udtrykket "elværktøj" i nedenstående advarsler henviser til dit eldrevne (med ledning) eller batteridrevne (uden ledning) værktøj.

1) ARBEJDSOMRÅDE

- a) **Sørg for, at arbejdsområdet er rent og godt oplyst. Rodede arbejdsområder kan forårsage personskade.**
- b) **Anvend ikke elværktøj i eksplosive atmosfærer, f.eks. i nærheden af brændbare væsker, gasser eller støv.** Elværktøj frembringer gnister, der kan antænde støv eller dampe.
- c) **Hold børn og tilskuere på afstand, når elværktøjet bruges.** Hvis du bliver distraheret, kan du miste kontrollen over værktøjet.

2) ELSIKKERHED

- a) **Elværktøjets stik skal svare til stikkontakten. Du må ikke ændre stikket på nogen måde. Brug ikke adapterstik til elværktøj med jordforbindelse.** Hvis du bruger uændrede stik og stikkontakter, der passer til stikkene, mindskes risikoen for elektrisk stød.
- b) **Undgå at røre ved overflader med jordforbindelse, f.eks. rør, radiatorer, komfurer og køleskabe.** Risikoen for elektrisk stød øges, hvis din krop får jordforbindelse.
- c) **Brug ikke elværktøj i våde eller fugtige omgivelser.** Hvis der trænger vand ind i elværktøjet, øges risikoen for elektrisk stød.
- d) **Undgå at udsætte ledningen for overlast. Bær ikke værktøjet i ledningen, og træk ikke i ledningen, når du tager stikket ud af stikkontakten. Hold ledningen væk fra varme, olie, skarpe kanter og bevægelige dele.** Beskadigede eller filtrede ledninger øger risikoen for elektrisk stød.
- e) **Brug altid forlængerledninger til udendørs brug, når du anvender værktøjet udendørs.** Risikoen for elektrisk stød mindskes, hvis forlængerledningen er egnet til udendørs brug.
- f) **Hvis det elektriske værktøj anvendes i fugtige omgivelser, skal der ubetinget anvendes en strømforsyning, der er beskyttet mod reststrøm.** Det mindsker risikoen for elektriske stød.

3) PERSONLIG SIKKERHED

- a) **Vær opmærksom, hold altid øje med**

værktøjet, og brug din sunde fornuft ved brug af elværktøjet. Brug ikke elværktøjet, hvis du er træt eller påvirket af narkotika, alkohol eller medicin. Et øjeblikks koncentrationssvigt ved brug af elværktøj kan medføre alvorlig personskade.

- b) **Brug beskyttelsesudstyr. Brug altid sikkerhedsbriller.** Sikkerhedsudstyr som støvmaske, skridsikre sikkerhedssko, sikkerhedshjelm eller høreværn mindsker risikoen for personskade.
- c) **Undgå at starte utilsigtet. Kontroller, at kontakten står i stillingen OFF, inden udstyret tilsluttes en strømkilde og/eller batteripakke, samles op eller transporteres.** Hvis du bærer elværktøj med fingeren på afbryderen eller sætter stikket i stikkontakten, mens afbryderen er tændt, er der risiko for ulykker.
- d) **Fjern justeringsnøgler og lignende fra elværktøjet, før du tænder det.** Justeringsnøgler, der sidder på elværktøjets roterende dele, kan resultere i personskade.
- e) **Undgå at række for langt. Sørg for at have et godt fodfæste og underlag.** Det giver bedre kontrol over elværktøjet i uventede situationer.
- f) **Vær korrekt påklædt. Undlad at bære løstsiddende tøj eller smykker.** Hold hår, tøj og handsker på afstand af de bevægelige dele. Løstsiddende tøj, smykker eller langt hår kan blive fanget af de bevægelige dele.
- g) **Hvis værktøjet leveres med støvpose og adapter til støvudsugning, skal du kontrollere, at delene er tilsluttet korrekt.** Disse enheder mindsker risikoen for skader på grund af støv.

4) BRUG OG VEDLIGEHOLDELSE AF ELVÆRKTØJ

- a) **Undlad at presse elværktøjet. Brug det korrekte elværktøj til opgaven.** Du opnår en bedre og mere sikker drift, hvis du anvender det korrekte elværktøj ved den anbefalede hastighed.
- b) **Undlad at bruge elværktøjet, hvis afbryderen ikke slår værktøjet til og fra.** Elværktøj, der ikke kan kontrolleres ved hjælp af afbryderen, er farligt og skal repareres.
- c) **Træk stikket på værktøjet ud fra strømkilden og/eller batteripakken, inden der foretages justeringer, udskiftning af dele eller opbevaring af værktøjet.** Disse forholdsregler mindsker risikoen for utilsigtet start af elværktøjet.
- d) **Opbevar elværktøj utilgængelig for børn, og lad aldrig personer, der ikke er fortrolige med elværktøjet eller disse anvisninger, bruge elværktøjet.** Elværktøj er farligt, hvis det bruges forkert.
- e) **Vedligehold elværktøjet. Kontrollér, om de bevægelige dele er korrekt justeret eller går tungt, om dele er gået i stykker og enhver anden tilstand, som kan påvirke elværktøjets funktion. Hvis elværktøjet er beskadiget, skal det repareres inden brug.** Mange ulykker forårsages af dårligt vedligeholdt elværktøj.

- f) **Hold værktøjet skarpt og rent.** Korrekt vedligeholdt elværktøj med skarpe klinger sætter sig ikke fast og er nemmere at kontrollere.
- g) **Brug elværktøjet, tilbehøret og eventuelle bits i henhold til disse anvisninger og på en passende måde for den pågældende type elværktøj. Tag altid højde for arbejdsomgivelserne og den forhåndenværende opgave.** Hvis elværktøjet bruges til andre opgaver end den, det er beregnet til, kan det medføre farlige situationer.
- 5) **SERVICE**
- a) **Service på elværktøjet skal udføres af en autoriseret reparatør ved hjælp af originale reservedele.** Dette sikrer, at elværktøjet er sikkert at bruge.

YDERLIGERE SIKKERHEDSPUNKTER FOR DIN VINKELSLIBER

Sikkerhedsadvarsler fælles for slibe-skæreoperationer:

- a) **Dette elværktøj er beregnet til at fungere som slibemaskine, eller afkorter. Læs alle de sikkerhedsadvarsler, sikkerhedsforskrifter, illustrationer og specifikationer, der følger med elværktøjet.** Følges alle nedenstående anvisninger ikke, kan det resultere i elektrisk stød, brand og/eller alvorlig personskade.
- b) **Det anbefales ikke at foretage stålborstning, og polering med denne værktøjsmaskine.** Udførelse af handlinger, som denne værktøjsmaskine ikke er konstrueret til, kan medføre fare og personskade.
- c) **Brug ikke tilbehør, der ikke er specifikt konstrueret eller anbefalet af værktøjsfabrikanten.** At tilbehøret kan monteres på din værktøjsmaskine betyder ikke automatisk sikker arbejdsudførelse.
- d) **Tilbehørets mærkehastighed skal mindst svare til værktøjsmaskinens maksimumhastighed.** Tilbehør, der kører hurtigere end deres mærkehastighed, kan gå i stykker.
- e) **Tilbehørets udvendige diameter og tykkelse skal ligge inden for værktøjsmaskinens kapacitet.** Tilbehør, der har den forkerte størrelse, kan ikke afskærmes og styres korrekt.
- f) **Montering af tilbehør med gevind skal passe med gevindet på vinkelsliberens aksel. På tilbehør, der monteres med flanger, skal dornhullet på tilbehøret passe med flangens diameter.** Tilbehør med huller, der ikke passer til værktøjsmaskinens monteringsanordninger, kan komme ud af balance, vibrere kraftigt og komme ud af kontrol.
- g) **Brug ikke beskadiget tilbehør. Inden hver anvendelse skal du tjekke tilbehør såsom slibeskiver for skærespåner, og revner og støttepuder for revner og slitage, kabelborste til løstsiddende eller**
- knækkede kabler. Hvis værktøjsmaskinen eller tilbehøret tabes, skal begge dele undersøges for skader og beskadiget tilbehør udskiftes. Når du har inspiceret og installeret tilbehør, skal du anbringe dig selv og andre tilstedeværende væk fra det roterende tilbehør og køre værktøjsmaskinen med maksimal, ubelastet hastighed i ét minut.** Beskadiget tilbehør går normalt i stykker under denne test.
- h) **Brug personligt beskyttelsesudstyr. Afhængigt af arbejdets form, skal du benytte ansigtsskærm og sikkerhedsbriller. Om nødvendigt skal du anvende støvmaske, ørebeskyttere, handsker og forklæde, der kan standse små slibe- eller andre partikler.** Øjenbeskyttelsen skal kunne beskytte mod flyvende partikler fra forskellige arbejdsoperationer. Støvmasken skal kunne filtrere partikler hidrørende fra arbejdsoperationen. Lang tids udsættelse for kraftig støj kan forårsage tab af hørelse.
- i) **Hold tilstedeværende på sikker afstand af arbejdsområdet. Alle, der kommer ind på arbejdsområdet, skal være iført personligt sikkerhedsudstyr.** Flyvende partikler fra arbejdsmateriale eller tilbehør, der er gået i stykker, kan forårsage personskade uden for selve arbejdsområdet.
- j) **Brug kun isolerede håndtag, når der udføres en arbejdshandling, hvor skæreudstyret kan komme i kontakt med skult ledningsføring eller dets egen ledning.** Skæreudstyr, der kommer i kontakt med en "levende" ledning, kan gøre udsatte metaldele på værktøjsmaskinen "levende" og give operatøren elektrisk stød.
- k) **Hold ledningen fri af det roterende udstyr.** Hvis du mister kontrollen, kan ledningen blive skåret over eller flånsat, eller din hånd og arm kan blive trukket ind i det roterende udstyr.
- l) **Læg aldrig værktøjsmaskinen fra dig, før tilbehøret er helt stoppet.** Det roterende tilbehør kan gribe fat i overfladen og hive værktøjsmaskinen ud af din kontrol.
- m) **Lad ikke værktøjsmaskinen arbejde, mens du bærer den ved siden af dig.** Kontakt med det roterende tilbehør kan gribe fat i dit tøj og trække tilbehøret ind mod din krop.
- n) **Rengør jævnligt værktøjsmaskinens ventilationsåbninger.** Motorens blæser trækker støv ind i huset og for megen ophobning af metalstøv kan skabe elektriske farer
- o) **Anvend ikke værktøjsmaskinen nær brandfarlige materialer.** Gnister kan antænde disse materialer.
- p) **Brug ikke tilbehør, der anvender kølevæske.** Vand og andre væskeformige kølemidler kan forårsage død ved elektrisk stød eller chok
- q) **Hold på håndtaget, når du arbejder.** Brug altid ekstrahåndtagene, der følger med redskabet. Du kan komme til skade, hvis du mister kontrollen.

YDERLIGERE SIKKERHEDSFORSKRIFTER VED AL BETJENING

Kickback (tilbageslag) og lignende advarsler

"Kickback" er en pludselig reaktion fra en eller et fastsiddende/fastlåst ("pinched"/"snagged") roterende skive, pude, børste eller andet tilbehør. "Pinching" og "snagging" forårsager hurtig stalling af det roterende tilbehør, som så igen tvinger den ukontrollerbare værktøjsmaskine i modsat retning af tilbehørets rotation ved bindepunktet.

Hvis f.eks. en slibeskive sidder fast i arbejds materialet, vil kanten af skiven grave sig fast i materialets overflade og få skiven til slå tilbage. Skiven vil enten springe mod eller væk fra operatøren, afhængigt af skivens drejeretning ved fastlåsningsstedet. I sådanne situationer kan slibeskiver også brække.

Kickback skyldes forkert brug af værktøjsmaskinen og/eller forkerte arbejdsprocedurer og -forhold. Kickback kan undgås ved at følge nedenstående sikkerhedsanvisninger:

- a) **Hold godt fast på værktøjsmaskinen og anbring din krop og arm på en sådan måde, at du kan modstå tilbageslagskræfter. Brug altid det ekstra håndtag (hvis leveret) til at opnå maksimal kontrol over kickback eller reaktionskraft ved opstart.** Operatøren kan kontrollere reaktions- og kickback-kræfter, hvis de nødvendige forholdsregler træffes.
- b) **Lad aldrig din hånd komme nær det roterende tilbehør.** Tilbehøret kan kickback over din hånd.
- c) **Anbring ikke din krop inden for det område, hvor værktøjsmaskinen vil bevæge sig, hvis kickback opstår.** Kickback vil sende værktøjet i modsat retning af skivens bevægelse på stedet, hvor det sidder fast.
- d) **Vær især forsigtig, når du arbejder med hjørner, skarpe kanter osv. Undgå, at tilbehøret slår tilbage eller sidder fast.** Hjørner, skarpe kanter osv har en tendens til at gribe fat i det roterende tilbehør med efterfølgende tab af kontrol eller kickback.
- e) **Monter ikke en savkæde med svær til træskærearbejde eller en savklinge.** *Den slags klinger giver ofte tilbageslag, hvorved kontrollen over værktøjet mistes.*

YDERLIGERE SIKKERHEDSFORSKRIFTER VED SLIBNING OG AFKORTNING

Særlige sikkerhedsforanstaltninger i forbindelse med slibe- og slibende skæreoperationer:

- a) **Brug kun skiver, der er anbefalet til din værktøjsmaskine, og kun den afskærmning, som er beregnet til den valgte skive.** Skiver, som værktøjet ikke er beregnet til, kan ikke afskærmes ordentligt og er

derfor farlige.

- b) **Overfladen på den nedsænkede slibeskive, skal monteres under beskyttelsesoverfladen.** *En forkert monteret skive, der stikker ud af beskyttelsesoverfladen er ikke ordentligt beskyttet.*
- c) **Du arbejder med. Afskærmningen skal være sikkert monteret på værktøjsmaskinen og på en sådan måde, at den yder maksimal sikkerhed. Mindst muligt af skiven skal være blotlagt mod operatøren.** Afskærmningen beskytter operatøren mod fragmenter fra brækkede skiver og mod utilsigtet berøring af skiverne.
- d) **Skiver må kun anvendes til det anbefalede brug. For eksempel: Slib ikke med kanten af en skæreskive.** Slibende skæreskiver er beregnet til periferisk slibning. Sidekræfter kan få dem til at gå i stykker.
- e) **Brug altid ubeskadigede skivemuffer i korrekt størrelse og form i relation til den valgte skive.** Korrekte skivemuffer understøtter skiven og reducerer således muligheden for, at skiven knækker. Muffer til skæreskiver kan være anderledes end dem til slibeskiver.
- f) **Brug ikke slidte skiver fra større værktøjsmaskiner.** Skiver, beregnet til større værktøjsmaskiner, er ikke beregnet til en mindre maskines højere hastighed og kan derfor sprænge.

YDERLIGERE SIKKERHEDSFORSKRIFTER VED AFKORTNING

Yderligere sikkerhedsforanstaltninger specielt for slibende skæreoperationer:

- a) **"Jam" ikke skæreskiven og udsæt den ikke for for kraftigt tryk. Forsøg ikke for stor skæredybde.** Overbelastning af skiven øger muligheden for forvridding og fastlåsning af skiven samt muligheden for kickback og for, at skiven knækker.
- b) **Anbring ikke dig selv på linje med eller bag den roterende skive.** Når skiven på arbejdsstedet bevæger sig væk fra dig, kan et muligt kickback sende den roterende skive og værktøjsmaskinen direkte mod dig.
- c) **Hvis en skive sidder fast, eller hvis skæringen af en eller anden grund afbrydes, skal du slukke for værktøjsmaskinen og holde den stille, indtil skiven er helt stoppet. Forsøg aldrig at fjerne skæreskiven fra skåret, mens skiven bevæger sig, idet der på den måde kan opstå kickback.** Undersøg og træf forholdsregler for at eliminere årsagen til, at skiven kørte fast.
- d) **Genstart ikke skæreplassen i selve arbejdsstykket. Får først skiven op på fuld omdrejning. Herefter kan du forsigtigt bevæge dig ind i skæringen igen.** Hvis værktøjsmaskinen genstartes i selve arbejdsstykket, kan skiven binde, arbejde sig ud eller kickback.

- e) **Understøt paneler eller arbejdsstykker i overstørrelse for at minimere risikoen for, at skiven sætter sig fast eller for kickback.** Store arbejdsstykker har en tendens til at synke under deres egen vægt. Støtter skal anbringes under arbejdsstykket, nær skærelinjen og nær kanten af arbejdsstykket på begge sider af skiven.
- f) **Vær især forsigtig, når du udfører en "lommeudskæring" i vægge eller i andre blinde områder.** Skiven kan komme til at skære i gas- eller vandledninger, i el-ledninger eller i ting, som kan forårsage kickback.

SYMBOLER

	For at undgå risikoen for personskader skal brugeren læse brugervejledningen
	Isolationsklasse
	Advarsel
	Bær høreværn
	Bær øjenværn
	Bær støvmaske
	Bær beskyttelseshandsker
	Træk stikket ud, før der arbejdes på maskinen
	Affald af elektriske produkter må ikke bortskaffes sammen med husholdningsaffald. Indlever så vidt muligt produktet til genbrug. Kontakt de lokale myndigheder eller forhandleren, hvis du er i tvivl.

AGGREGATELEMENTER

- SPINDELLÅS**
- HJULBESKYTTELSE TIL SLIBNING**
- EKSTRAHÅNDTAG**

4. START-STOP-KONTAKT

5. LUFT FILTER

6. UDVENDIG FLANGE

7. INDVENDIG FLANGE

8. SLIBESPINDEL

9. SKIFTENØGLE

* **Illustreret eller beskrevet tilbehør er kun delvis indeholdt i leverancen.**

TEKNISKE DATA

Type **KUS10P KUS05P (S10P/S05P- udpegning af maskiner, repræsentant for Vinkelsliber)**

	KUS10P	KUS05P
Spænding	230-240V-50Hz	
Nominel effekt	900W	
Ubelastet motorhastighed	11000/min	
Isolationsklasse	□/II	
Spindelgevind	M14	
Skivestørrelse	125mm	115mm
Skivens boring	22.2mm	
Maskinens vægt	1.5kg	

TILBEHØR

Skruenøgle	1
Ekstrahåndtag	1
Hjulafsærmning til slibning	1

Det anbefales, at alt udstyr købes i samme butik som maskinen. Anvend udstyr af god kvalitet og af et velkendt mærke. Vælg slibepapir afhængigt af opgaven. Se på emballagen til tilbehøret for at få yderligere oplysninger. Få hjælp og råd i butikken.

STØJINFORMATION

A-vægtet lydtryksniveau $L_{pA} = 94,3$ dB(A)

A-vægtet lydeffektniveau $L_{wA} = 105,3$ dB(A)

$K_{pA} \& K_{wA}$ 3 dB(A)

Bær høreværn.



VIBRATIONSINFORMATION

Den totale værdi for vibration målt ifølge EN 60745:

Overfladeslibning	Værdi for vibration $a_{h,AG} = 8,14 \text{ m/s}^2$
	Usikkerhed $K = 1.5 \text{ m/s}^2$

- Den deklarerede samlede vibrationsværdi er målt i overensstemmelse med standard testmetoder og kan bruges til at sammenligne et værktøj med et andet;
- Den erklærede samlede vibrationsstyrke kan bruges til at sammenligne et værktøj med et andet, og kan også bruges til en foreløbig vurdering af eksponeringen.

⚠ ADVARSEL: Vibrationsværdien under den faktiske brug af maskinværktøjet kan afvige fra den opgivne værdi afhængigt af måderne, værktøjet benyttes på. Se følgende eksempler på, hvad vibrationerne kan afhænge af:
 Hvordan værktøjet bruges og materialerne, der skæres eller bores i.
 Værktøjets stand og vedligeholdelse.
 Anvendelse af korrekt tilbehør og kontrol med, at det er skarpt og i en i det hele taget god tilstand.
 Hvor kraftigt, der holdes fast i håndtaget og, om der benyttes antivibrationsudstyr.
 Om værktøjet anvendes i henhold til dets konstruktion og nærværende anvisninger.

Værktøjet kan medføre et hånd/arm-vibrationssyndrom, hvis det ikke bruges på rigtig måde.

⚠ ADVARSEL: En vurdering af udsættelsesgraden under det aktuelle brug skal omfatte alle dele af arbejds cyklussen, herunder antallet af gange værktøjet slås til og fra, og tomgangsdriften uden for selve arbejdsopgaven. Dette kan afgørende reducere udsættelsesniveauet i den samlede arbejdsperiode. Sådan kan du minimere risikoen for udsættelse for vibrationer:
 Brug ALTID skarpe mejsler, bor og blade.
 Vedligehold værktøjet i overensstemmelse med disse instruktioner og hold det korrekt smurt.
 Hvis værktøjet bruges ofte, bør du anskaffe antivibrationsudstyr.
 Planlæg dit arbejde, så du kan fordele arbejde med kraftige vibrationer over flere dage.

BETJENINGSVEJLEDNING

📖 NOTER: Før du bruger dette værktøj, læs instruktionsbogen omhyggeligt.

Mulig anvendelse

Maskinen er beregnet til at gennemskære, skrubbe og børste metal- og stenmaterialer uden brug af vand. Det er forskrift at benytte en foringslæde, når der skal skæres i sten.

SAMLING OG DRIFT

HANDLING	FIGUR
SAMLING Montering af hjælpehåndtag Advarsel! Brug altid hjælpehåndtaget, når du betjener maskinen.	Se figur A
Saml slibeskiven / skæreskiven	Se figur B
Juster den udvendige flangeklemme	Se figur C1, C2
Juster hjulafdækningen Bemærk: Tag stikket ud af stikkontakten, før du udfører handlinger på selve maskinen. For at kunne bruge en slibe- eller skæreskive skal der monteres et hjulafdækning. Placer beskyttelsen i rillen på spindelkraven, og drej den til den ønskede arbejdsstilling. Hold beskyttelsesdækslet med skruer. Slibehjulet skal rotere frit inden i beskyttelsesdækslet. Den lukkede side af hulhuset skal altid pege mod føreren.	Se figur D
OPERATING	
Brug af / på-kontakten	Se figur E
Gribområde	Se figur F
Grovslibning ⚠ Advarsel! Brug aldrig en skæreprade til runing.	
Beskær ⚠ Advarsel! Ved skæring af metal skal du altid skære med hjulafdækningen.	Se figur G
Auto stop kulbørste Bemærk: Når harpiksisoleringshovedet (11) inde i kulbørsten (12) udsættes for og kommer i kontakt med kommutatoren (10), slukker det automatisk for motoren. Når dette sker, skal de to kulbørster udskiftes. Hold kulbørsterne rene og glid frit på stativet. Begge kulbørster skal udskiftes på samme tid. Brug kun den samme kulbørste.	Se figur H
Rengør luftfilteret regelmæssigt Bemærk: Efter brug af maskinen et stykke tid skal luftfilteret rengøres.	Se figur I

GODE RÅD

Hvis vinkelsliberen er for varm: Lad maskinen køre uden belastning i 2-3 minutter for at afkøle motoren. Når vinkelsliberen startes, må slibeskiven/tilbehøret

ikke berøre emnet.

Start altid maskinen uden belastning for at opnå maksimal hastighed, og påbegynd derefter arbejdet. Forsøg ikke at tvinge slibeskiven til at arbejde hurtigere. Når slibeskivens hastighed sænkes, tager arbejdet længere tid.

Vinkelsliberen skal holdes i en vinkel på 15-30° til emnet, når der slibes. Er vinklen større skærer vinkelsliberen i emnets overflade. Bevæg vinkelsliberen frem og tilbage over emnet.

Når vinkelsliberen anvendes med en skæreskive, må skærevinklen ikke ændres, da det kan medføre, at skiven og vinkelsliberens motor stopper, eller at skiven knækker. Når vinkelsliberen anvendes til at skære, skal den bevæges i den modsatte retning af skæreskivens omløbsretning. Hvis der skæres i samme retning som skæreskivens omløbsretning, kan skiven skubbe sig selv ud af rillen.

Det anbefales at anvende en diamantskive til skæring af meget hårde materialer for at få det bedste resultat. Diamantskiven bliver meget varm. Når dette sker, vil der opstå en ring af gnister rundt om den roterende skive. Stop skæreprocessen, og lad vinkelsliberen køre uden belastning i 2-3 minutter, så skiven kan køle af.

Sørg for, at emnet er grundigt fastgjort eller fastspændt for at undgå, at det bevæger sig.

VEDLIGEHOLDELSE

Remove the plug from the socket before carrying out any adjustment, servicing or maintenance.

Træk stikket ud af stikkontakten, inden der udføres nogen form justering, service eller vedligeholdelse.

Denne bore-/skruemaskine kræver ikke særlig smøring eller vedligeholdelse.

Bore-/skruemaskinen må kun serviceres og repareres i et professionelt værksted. Brug aldrig vand eller kemiske rengøringsmidler til rengøring. Må kun rengøres med en tør klud. Opbevares på et tørt sted. Hold motorens ventilationsåbninger rene. Knapperne o.l. skal være rene og frie for støv. Det er helt normalt, at der kan forekomme gnister i ventilationsåbningerne, og det beskadiger ikke bore-/skruemaskinen.

Hvis elledningen beskadiges, skal den udskiftes af producenten, dennes servicerepræsentant eller anden kvalificeret fagmand for at undgå, at der opstår farlige situationer.

MILJØBESKYTTELSE



Affald af elektriske produkter må ikke bortskaffes sammen med husholdningsaffald. Indlever så vidt muligt produktet til genbrug. Kontakt de lokale myndigheder eller forhandleren, hvis du er i tvivl.

KONFORMITETSERKLÆRING

Vi,
Positec Germany GmbH
Postfach 32 02 16, 50796 Cologne, Germany

erklærer herved, at produktet
Beskrivelse **Vinkelsliber**
Type **KUS10P KUS05P (S10P/S05P- udpegning af maskiner, repræsentant for Vinkelsliber)**
Funktion **Periferisk og sideværts malning**

er i overensstemmelse med følgende direktiver:

2006/42/EC
2011/65/EU&(EU)2015/863
2014/30/EU

Standarder i overensstemmelse med

EN 55014-1
EN 55014-2
EN IEC 61000-3-2
EN 61000-3-3
EN 60745-1
EN 60745-2-3

Personen, autoriseret til at udarbejde den tekniske fil,

Navn Marcel Filz
Adresse Positec Germany GmbH
Postfach 32 02 16, 50796 Cologne, Germany




73

DK

2022/06/22
Allen Ding
Vicechef; Ingeniør, Test & Certificering
Positec Technology (China) Co., Ltd
18, Dongwang Road, Suzhou Industrial
Park, Jiangsu 215123, P. R. China

BRUKSANVISNING I ORIGINAL GENERELLA SÄKERHETSVARNINGAR FÖR ELVERKTYG

 **WARNING! Läs alla instruktioner.** Följs inte alla nedanstående instruktioner kan det leda till elektriska stötar, brand och/eller allvarliga skador.

Spara alla varningar och instruktioner för framtida bruk.

Termen "strömförande verktyg" i alla varningsmeddelande nedan avser ditt (sladdverktyg) strömförande verktyg eller batteridrivna (sladdlösa) strömförande verktyg.

1) ARBETSOMRÅDET

- a) **Håll arbetsområdet rent och väl upplyst. Skräpiga och mörka områden är skaderisker.**
- b) **Använd inte strömförande verktyg i explosiva miljöer, som nära brandfarliga vätskor, gaser eller damm.** Strömförande verktyg skapar gnistor som kan antända damm eller Ingor.
- c) **Håll barn och åskådare borta när du använder ett strömförande verktyg.** Distractioner kan göra att du förlorar kontrollen.

2) ELSÄKERHET

- a) **Stickkontaktarna till verktyget måste matcha eluttaget. Modifiera inte stickkontakten på något sätt. Använd inte adapterkontakter i samband med jordade strömförande verktyg.** Omodifierade stickkontakter och matchande eluttag minskar risken för elstötar.
- b) **Undvik kroppskontakt med jordade ytor som rör, element, spisar och kylskåp.** Det finns en större risk för elstötar om din kropp är jordad.
- c) **Exponera inte strömförande verktyg för regn eller fuktiga förhållanden.** Kommer det in vatten i ett strömförande verktyg ökar det risken för elstötar.
- d) **Missbruka inte sladden. Använd aldrig sladden för att bära, dra eller dra ut stickkontakten för det strömförande verktyget. Håll sladden borta från hetta, olja, skarpa kanter eller rörliga delar.** Skadade eller tilltrasslade sladdar ökar risken för elstötar.
- e) **När du använder ett strömförande verktyg utomhus använder du en förlängningssladd som lämpar sig för utomhus bruk.** Använder du en sladd för utomhus bruk reducerar du risken för elstötar.
- f) **Om det inte går att undvika att driva ett elverktyg i en fuktig lokal, använd då en restströmsskyddad (RCD) strömtillförselanordning.** Användning av en RCD minskar risken för elektriska stötar.

3) PERSONLIG SÄKERHET

- a) **Var uppmärksam, håll ögonen på vad du gör och använd sunt förnuft när du använder ett strömförande verktyg. Använd inte ett strömförande verktyg när du är trött eller påverkad av droger, alkohol eller läkemedel.** En kort stund av ouppmärksamhet med strömförande verktyg kan resultera i allvarliga personskador.
 - b) **Använd säker utrustning. Använd alltid skyddsglasögon.** Säkerhetsutrustning som munskydd, halkfria skor, skyddshjälm eller hörselskydd som används när det behövs kommer att reducera personskador.
 - c) **Förhindra ofrivillig start. Se till att kontakten är i off-läge innan du ansluter till strömkälla och/eller batterienhet, tar upp eller bär med dig verktyget.** Bär du strömförande verktyg med fingret på kontakten eller sätter i stickkontakten i eluttaget när kontakten är i PL-läge utgör det en skaderisk.
 - d) **Ta bort alla skiftnycklar eller skruvnycklar innan du sätter på det strömförande verktyget.** En skift - eller skruvnyckel som lämnas kvar på en roterande del på ett strömförande verktyg kan orsaka personskador.
 - e) **Sträck dig inte för långt. Bibehåll alltid föttestet och balansen.** Detta gör att du kan kontrollera verktyget bättre i oväntade situationer.
 - f) **Klä dig rätt. Använd inte löst sittande kläder eller smycken.** Håll ditt hår, dina kläder och handskar borta från rörliga delar. Lösa kläder, smycket eller långt hår kan snärjas in i rörliga delar.
 - g) **Om det på enheterna finns anslutning för dammsug och dammupsamling ser du till att de är anslutna och används korrekt.** Använder du dessa anordningar reducerar det dammrelaterade faror.
- ### 4) ANVÄNDNING OCH UNDERHÅLL AV STRÖMFÖRANDE VERKTYG
- a) **Forcera inte det strömförande verktyget. Använd korrekt verktyg för arbetet.** Det korrekta verktyget kommer att göra jobbet bättre och säkrare med den hastighet den tillverkats för.
 - b) **Använd inte verktyget om kontakten inte sätter på eller stänger av det.** Alla strömförande verktyg som inte kan kontrolleras med kontakten är farliga och måste repareras.
 - c) **Koppla från stickkontakten från strömkällan och/eller batterienheten från elverktyget innan du utför några justeringar, ändrar i tillbehören eller magasinerar elverktygen.** Sådana förebyggande säkerhetsåtgärder reducerar risken för att du startar verktyget oavsiktligt.
 - d) **Förvara verktyget som inte används utom räckhåll för barn och låt inte någon person använda verktyget som inte känner till verktyget eller dessa anvisningar.** Strömförande verktyg är farliga i händerna på utbildade användare.
 - e) **Utför underhåll på verktygen. Kontrollera inriktningen eller fästet för rörliga delar, defekta delar och alla andra saker som kan påverka användningen**

- av elverktuget. Om den skadats måste elverktuget repareras före användning. Många olyckor orsakas av felaktigt underhållna elverktuget.
- f) **Håll slivverktuget skarpa och rena.** Korrekt underhållna skärverktuget med skarpa egg kommer inte att köra fast lika ofta och är enklare att kontrollera.
- g) **Använd elverktuget, tillbehören och verktygsbitsen etc. i enlighet med dessa anvisningar och på det sätt som avsetts för varje typ av elverktuget. Ha också i åtanke arbetsförhållandena och arbetet som skall utföras.** Använder du elverktuget för åtgärder som skiljer sig det avsedda arbetet kan det resultera i riskfyllda situationer.
- 5) **UNDERHÅLL**
- a) **Låt ditt elverktuget underhållas av en kvalificerad reparatör som bara använder äkta reservdelar.** Det kommer att garantera att elverktugets säkerhet bibehålls.

SÄKERHETSPUNKTER FÖR DIN VINKELSLIP

Vanligt förekommande säkerhetsvarningar för planslipning eller vinkelslipning:

- a) **Det här elverktuget är avsett att fungera som en planslipmaskin, eller vinkelslip. Läs alla säkerhetsvarningar, instruktioner, illustrationer och specifikationer som medföljer elverktuget.** Om du inte följer anvisningarna som står listade nedan kan det resultera i elektrisk stöt, brand och/eller allvarlig skada.
- b) **Bråk som t.ex. träborstning, eller polering rekommenderas inte att utföras med det här verktyget.** Användning som det här verktyget inte utformades för kan vara farligt och orsaka personskador.
- c) **Avstå från att använda tillbehör som inte särskilt har utformats och rekommenderats av verktygstillverkaren.** Bara därför att tillbehöret kan fästas på verktyget innebär inte det att det går att använda på ett säkert sätt.
- d) **Hastigheten på tillbehöret måste vara minst lika med den maximala hastigheten som står angivet på verktyget.** Tillbehör som går fortare än dess uppskattade hastighet kan gå sönder.
- e) **Utesidesdiameteren och tjockleken på tillbehöret måste hållas inom kapaciteten för ditt verktyg.** Inkorrekt storlek på tillbehör kan inte övervakas eller kontrolleras på ett riktigt sätt.
- f) **Gångad montering av tillbehör måste passa slipmaskinens spindelgång. För tillbehör som monteras med flänsar, måste tillbehörets axelhål passa flänsens inställningsskål.**

Tillbehör med omgivande hål som inte matchar monteringshårdvaran till verktyget kommer att tappa balansen, vibrera oerhört och kan orsaka att

du tappar kontrollen.

- g) **Använd inte ett skadat tillbehör. Innan varje användning ska du kontrollera tillbehöret, som sliphjul efter flisor och sprickor, packningar efter sprickor, slitage eller hög användning, om stålborstens ståltrådar är lösa eller spruckna. Om verktyget eller något tillbehör tappas ska du kontrollera om det har skadats eller byta ut mot oskadat tillbehör. Efter kontroll och utbyte av tillbehör ska du placera dig själv och andra deltagare borta från planet med det roterande tillbehöret, och köra verktyget på maximal hastighet utan belastning under en minut. Skadade tillbehör går vanligtvis sönder efter den här testtiden.**
- h) **Bär skyddsutrustning. Beroende på tillbehör ska du använda ansiktsskydd, säkerhetsglas eller skyddsglasögon. Om det lämpar sig ska du bära dammask, hörselskydd, handskar och förkläde som stoppar små fragment från sliv eller arbetsdel. Ögonskydd måste kunna stoppa flygande flisor som kommer från olika sorters användning. Dammasken eller andningsmasken måste kunna filtrera partiklar som kommer från användningen. Långvarig utsättning för högt, intensivt ljud kan orsaka hörselnedsättning.**
- i) **Håll betraktare på säkert avstånd från arbetsområdet. Alla som kommer in på arbetsområdet måste bära skyddsutrustning.** Fragment från arbetsdelar eller trasiga tillbehör kan flyga bort och orsaka skada utanför arbetsområdet.
- j) **Håll endast verktyget i de isolerade greppytorna. När du utför en handling då det föreligger risk för att skärtillbehör kan komma i kontakt med trådar kan du gömma sladdarna. Skärtillbehör som kommer i kontakt med en "levande" sladda kan orsaka att exponerade metalldelar till verktyget ger användaren en stöt.**
- k) **Placera sladden på annat ställe än det snurrande tillbehöret.** Om du förlorar kontrollen kan sladden skäras av eller nötas, och din kan eller arm kan dras med in i det snurrande tillbehöret.
- l) **Lägg aldrig ner verktyget förrän tillbehöret har stannat helt och hållet.** Det snurrande tillbehöret kan ta tag i ytan och dra iväg med verktyget, bortom din kontroll.
- m) **Ha inte verktyget på när du bär det vid sidan.** Kontakt som av en olyckshändelse med det snurrande tillbehöret kan riva tag i dina kläder och dra in tillbehöret i din kropp.
- n) **Rengör regelbundet verktygets luftventiler.** Motorns fläkt kommer att dra in damm inuti huset och hög ansamling av metallpulver kan orsaka elektrisk fara.
- o) **Använd inte verktyget i närheten av brandfarliga material.** Gnistor kan antända de materialen.
- p) **Använd inte tillbehör som kräver flytande kylvätska.** Användning av vatten eller annan vätska kan resultera i dödlig elektrisk

stöt eller kortslutning.

- q) **Din hand måste hålla i handtaget när du arbetar.** Använd alltid hjälphandtaget som medföljer verktyget. Tappad kontroll kan medföra personskadador.

EXTRA SÄKERHETSINSTRUKTIONER FÖR ALL DRIFT

Kickback och relaterade varningar

Kickback är en plötslig reaktion på ett klämt eller rivet

roterande hjul, packning, borste eller annat tillbehör.

Nyppning eller rivning orsakar snabbt stopp av det

roterande tillbehöret som i sin tur orsakar verktyget

utom kontroll att tvingas i motsatt riktning från

tillbehörets rotation vid bindningspunkten.

T ex, om ett sliphjul rivs eller nypas fast av

arbetsdelen kommer kanten på hjulet som går in i

tillnyppningspunkten att gräva ner u materialets yta

och göra så att hjulet klättrar ut eller klickar ut. Hjulet

kan antingen hoppa mot eller bort ifrån användaren,

beroende på riktningen på hjulets rörelse vid

nypppunkten. Sliphjul kan också gå sönder under

sådana förhållanden.

Kickback rå resultatet när verktyget inte används som

det ska och/eller under inkorrekt användningsförhållanden, och kan undvikas genom att verktyget tas

omhand enligt riktlinjerna ovan.

- a) **Behåll ett fast grepp om verktyget och placera din kropp och din arm så att du kan hålla emot kickbackkrafter.** Använd alltid hjälphandtag om det medföljer för maximal kontroll över kickback eller vridmomentsreaktioner under uppstart. Användaren kan kontrollera vridmomentsreaktioner eller kickbackkrafter om ordentliga säkerhetsåtgärder tas.
- b) **Placera aldrig din hand i närheten av det roterande tillbehöret.** Tillbehöret kan kicka tillbaka över din hand.
- c) **Placera inte din kropp i området där verktyget kan flyttas om kickback inträffar** Kickback kan snurra verktyget i motsatt riktning mot hjulets rörelse vid rivpunkten.
- d) **Vidta särskild försiktighet när du arbetar med hörn, vassa kanter etc, och undvik att studsas på och riva i tillbehöret.** Hörn, vassa kanter eller studsar har en tendens att riva i det roterande tillbehöret och kan ge upphov till att kontrollen förloras eller att man får en kickback.
- e) **Montera inte en sågkedja, sågblad för träsnideri, eller tandat sågblad.** Sådana blad skapar ofta bakslag och kontrollförlust.

EXTRA SÄKERHETSINSTRUKTIONER FÖR GROVSLIPNING OCH VINKELSLIPNING

Säkerhetsföreskrifter särskilt för Malnings- och slipavsägningshandlingar:

- a) **Använd bara hjul typer som rekommenderas för ditt verktyg och det särskilda skydd som är utformat för det utvalda hjulet.** Hjul som inte verktyget är utformat för kan inte skyddas på ett lämpligt sätt och är inte säkra.
- b) **Slipytan på de intryckta mitthjulen måste monteras nedanför den skyddade kantens yta.** Ett felaktigt monterat hjul som projicerar igenom den skyddade kantens yta kan inte skyddas tillräckligt.
- c) **Skyddet måste vara ordentligt fastsatt i verktyget och placerat för maximal säkerhet så att minsta möjliga del av hjulet exponeras mot användaren.** Skyddet hjälper till att skydda användaren från trasiga hjulfragment och olycksam kontakt med hjulet.
- d) **Hjul får endast användas för rekommenderade applikationer. T ex: Slipa inte med sidan på avsägningshjulet** Slipande avsägningshjul är avsedda för kringslipning, sidokrafter som tillämpas på de här hjulen kan orsaka att de går sönder.
- e) **Använd alltid oskadade hjullister i korrekt storlek och form för det hjul du använder.** Riktiga hjullister stödjer hjulet som minskar på så vis risken att hjulet går sönder Lister för avsägningshjul kan se annorlunda ut från sliphjullister.
- f) **Använd inte nedslitna hjul från större verktyg.** Hjul som är avsedda för större verktyg passar inte för den högre hastigheten hos mindre verktyg och kan brista.

EXTRA SÄKERHETSINSTRUKTIONER FÖR VINKELSLIPNING

Ytterligare säkerhetsföreskrifter särskilt för Slipavsägningshantering:

- a) **Kila inte fast avsägningshjulet eller tillämpa högt tryck.** Försök inte att utföra en överdrivet djupt jack. För högt tryck på hjulet ökar belastningen och risken med att vrida eller surra hjulet i avsägningen och risken för kickback eller att hjulet går sönder.
- b) **Placera inte din kropp i linje med och bakom det roterande hjulet.** När hjulet, i användningsögonblicket, flyttas bort från din kropp kan risk för kickback rikta det snurrande hjulet och verktyget direkt mot dig.
- c) **När hjulet surras eller om en avsägning avbryts av någon anledning ska du stänga av verktyget och hålla verktyget stilla tills dess att hjulet har stannat helt och hållet. Försök aldrig att ta bort avsägningshjulet från sågjacken när hjulet är i rörelse, då kickback kan inträffa.** Undersök och vidta åtgärder för att minska orsaken till att hjulet surras.
- d) **Starta inte om avsägningsprocessen i arbetsdelen. Låt hjulet nå full hastighet och placera tillbaka sågen försiktigt.** Hjulet kan surras, gå upp eller kicka tillbaka om

- verktyget startas om inne i arbetsdelen.
- e) **Stödpaneler eller andra överdimensionerade arbetsdelar minskar risken för att hjulet ska nypas fast eller kickas tillbaka. Stora arbetsdelar tenderar att böja sig under sin egen vikt.** Stöd måste placeras under arbetsdelen i närheten av skärmlinjen och i närheten av kanten på arbetsdelen, på båda sidor om hjulet.
- f) **Vidta största försiktighet när du gör ett "ficksågning" i existerande väggar eller andra blinda områden.** Det utskjutande hjulet kan skära av gas- eller vatteledning, elektriska sladdar eller objekt som orsakar kickback.

SYMBOLER

	För att minska risken för skador måste användaren läsa bruksanvisningen
	Skyddsklass
	Varning
	Använd hörselskydd
	Använd skyddsglasögon
	Använd skyddsmask mot dam
	Använd skyddshandskar
	Innan något arbete på maskinen utförs måste kontakten dras ut ur eluttaget.
	Uttjänade elektriska produkter får inte kasseras som hushållsavfall. Återanvänd där det finns anläggningar för det. Kontakta dina lokala myndigheter eller återförsäljare för återvinningsråd


LADDARENS KOMPONENTER

1. SPINDELLÅSKNAPP
2. HJULSKYDD FÖR SLIPNING
3. STÖDHANDTAG
4. STRÖMSTÄLLARE TILL/FRÅN
5. LUFTFILTER
6. YTTRE FLÄNS
7. INRE FLÄNS
8. SLIPSPINDEL
9. SKIFTNYCKEL

* Avbildat eller beskrivet tillbehör ingår delvis inte i leveransomfånget.

TEKNISK INFORMATION

Typ **KUS10P KUS05P (S10P/S05P-**maskinbeteckning, anger Vinkelslip)

	KUS10P	KUS05P
Volttal	230-240V~50Hz	
Nominell effekt	900W	
Hastighet utan belastning	11000/min	
Skyddsklass		
Spindeltråd	M14	
Skivans storlek	125mm	115mm
Skivhåll	22.2mm	
Maskinens vikt	1.5kg	

TILLBEHÖR

Skruvnyckel	1
Stödhandtag	1
Hjulskydd för slipning	1

Vi rekommenderar att du köper alla dina tillbehör från samma affär där du köpte verktyget. Använd bra kvalitetstillbehör av ett välkänt märke. Se avsnittet med arbetstips i denna bruksanvisning eller tillbehörets förpackning för mer information. Affärspersonalen kan också hjälpa dig och ge dig råd.

LJUD- OCH VIBRATIONS DATA

Uppmätt ljudtryck $L_{PA} = 94,3 \text{ dB(A)}$

Uppmätt ljudstyrka $L_{WA} = 105,3 \text{ dB(A)}$

$K_{PA} \& K_{WA} = 3 \text{ dB(A)}$

Använd hörselskydd



VIBRATIONSINFORMATION

Vibration totala värden fastställda enligt EN 60745:

Ytslipning	Vibrationsutsändningsvärde $a_{h,AG} = 8,14 \text{ m/s}^2$
	Osäkerhet $K = 1.5 \text{ m/s}^2$

- Det deklarerade totala vibrationsvärdet har uppmätts i enlighet med standardtestmetoder och kan användas för att jämföra ett verktyg med ett annat;
- Det angivna totala vibrationsvärdet kan användas för att jämföra olika verktyg med varandra samt vid en preliminär exponeringsutvärdering.

! **VARNING:** Vibrationsvärde vid verklig användning av maskinverktyget kan skilja sig åt från det deklarerade värdet beroende på hur verktyget används och beroende på följande exempel och andra variationer om hur verktyget används:
Hur verktyget används och materialet som skärs eller borras.

Verktyget är i bra skick och bra underhållet.

Användning av korrekt tillbehör för verktyget och säkerställ att de är skarpa och i bra skick.

Åtdragningsgraden av greppet på handtaget och om några antivibrationstillbehör används.

Och att verktyget används såsom avsett enligt dess konstruktion och dessa instruktioner.

Detta verktyg kan orsaka hand-arm vibrationssyndrom om det används på felaktigt sätt

! **VARNING:** För att vara korrekt bör en beräkning av exponeringsnivån under verkliga förhållanden vid användning också tas med för alla delar av hanteringscykeln såsom tiden när verktyget är avstängt och när det körs på tomgång utan att utföra något arbete. Detta kan betydligt minska exponeringsnivån över den totala arbetsperioden. Hjälp för att minimera risken för vibrationsexponering. Använd ALLTID skarpa mejslar, borrar och blad. Underhåll verktyget i enlighet med dessa instruktioner och håll det välsmört (där så behövs) Om verktyget ska användas regelbundet, investera i antivibrationstillbehör.

Planera ditt arbetsschema för att sprida ut användning av kraftigt vibrerande verktyg över flera dagar.

LADDNINGSPROCEDUR



OBS: Innan du använder verktyget, läs noga igenom bruksanvisningen.

Möjlig användning

Maskinen är avsedd för kapning, grovbearbetning och borstning av arbetsstycken i metall- och sten utan vattentillförsel. Vid kapning av sten ska styrsläde användas.

MONTERING OCH DRIFT

ÅTGÄRD	FIGUR
MONTERING	
Montera hjälphandtaget Varning! Använd alltid hjälphandtaget när du använder maskinen.	Se figur A
Montera slipskivan / skärskivan	Se figur B
Justera den yttre flänsens klämma	Se figur C1, C2
Justera hjulskyddet Obs: Koppla ur stickkontakten innan du utför några åtgärder på själva maskinen. För att kunna använda en slip- eller skärskiva måste ett hjulskydd installeras. Placera skyddet i spåret på spindelkragen och vrid det till önskat arbetsläge. Håll skyddshöljet med skruvar. Slipskivan måste rotera fritt inuti skyddskåpan. Den stängda sidan av hjulhuset måste alltid peka mot föraren.	Se figur D
DRIFT	
Använd strömbrytaren	Se figur E
Gripområdet	Se figur F
Grov slipning ! Varning! Använd aldrig en skärskiva för grovbearbetning.	
Beskär ! Varning! För skärning av metall, skär alltid med hjulskyddet.	Se figur G

Auto-stopp kolborste

Obs: När hartsisoleringshuvudet (11) inuti kolborsten (12) är synligt och kommer i kontakt med kommutatorn (10) stängs den automatiskt av motorn. När detta händer bör de två kolborstorna bytas ut. Håll kolborstorna rena och glid fritt på stativet. Båda kolborstorna bör bytas ut samtidigt. Använd bara samma kolborste.

Se figur H

Rengör luftfiltret regelbundet

Obs! Efter att ha använt maskinen en stund måste luftfiltret rengöras.

Se figur I

ARBETSTIPS FÖR DIN VINKELSLIP

Om ditt verktyg blir för varmt, använd det utan belastning i 2-3 minuter för att kyla av motorn. Starta aldrig din vinkelslip när skivan/tillbehöret vidrör arbetsstycket.

Starta alltid utan belastning och uppnå maximal hastighet innan du börjar arbeta. Forcera inte skivan att gå snabbare, reducerar du skivans rörelse innebär det en längre livslängd. Arbeta alltid med en 15-30 graders vinkel mellan skivan och arbetsstycket vid slipning. Större vinklar kommer att gröpa ur vallar i arbetsstycket och påverka ytan. Flytta vinkelslipen tvärsöver och fram och tillbaka över arbetsstycket.

När du använder en kapskiva bör du aldrig ändra kapningsvinkeln, annars kan skivan och vinkelslipens motor stanna eller så kan skivan gå sönder. När du kapar, kapar du bara i skivans motsatta roteringshåll. Om du kapar i samma riktning som skivan roterar kan skivan tryckas ut ur kapningsfalsen.

När du kapar mycket hårda material uppnår du bästa resultat med en diamantskiva.

När du använder en diamantskiva kommer den att bli mycket varm. När det inträffar kommer du att se en hel ring med gnistor runt den roterande skivan. Sluta kapa och låt verktyget svalna genom att använda det utan belastning i 2-3 minuter.

Se alltid till att arbetsstycket hålls fast eller är fastspänt så att det inte förflyttar sig.

UNDERHÅLL

Ta bort pluggen från hållaren innan du gör några anpassningar, servis eller underhåll.

Ditt verktyg kräver inte extra smörjning eller underhåll. Det finns inga delar som kan repareras av användaren i verktyget. Använd aldrig vatten eller kemiska medel för att rengöra verktyget. Torka rent med en torr trasa. Förvara alltid verktyget på en torr plats. Håll motorns ventileringsöppningar rena. Håll alla arbetskontroller fria från damm. Ser du gnistor i ventileringsöppningarna, är det normalt och kommer inte att skada till verktyg.

Om strömkabeln är skadad och att undvika fara, måste den ersättas av tillverkaren, servis agenten eller

liknande kvalificerad person.

MILJÖSKYDD



Uttjänade elektriska produkter får inte kasseras som hushållsavfall. Återanvänd där det finns anläggningar för det. Kontakta dina lokala myndigheter eller återförsäljare för återvinningsråd.

DEKLARATION OM ÖVERENSSTÄMMELSE

Vi,
Positec Germany GmbH
Postfach 32 02 16, 50796 Cologne, Germany

förklarar att denna produkt,
Beskrivning **Vinkelslip**
Typ **KUS10P KUS05P (S10P/S05P- maskinbeteckning, anger Vinkelslip)**
Funktion **Yttre- och sidoslipning**

uppfyller följande direktiv,
2006/42/EC
2011/65/EU&(EU)2015/863
2014/30/EU

Standarder överensstämmer med

EN 55014-1
EN 55014-2
EN IEC 61000-3-2
EN 61000-3-3
EN 60745-1
EN 60745-2-3

Personen som godkänts att sammanställa den tekniska filen.

Namn Marcel Filz
Adress Positec Germany GmbH
Postfach 32 02 16, 50796 Cologne, Germany



2022/06/22
Allen Ding
Vice chefsingenjör, tester och certifiering
Positec Technology (China) Co., Ltd
18, Dongwang Road, Suzhou Industrial
Park, Jiangsu 215123, P. R. China

Kress 