

## **Mehrzylinder Dieselmotoren Y80-Serie**

**Wassergekühlte, Direkteinspritzende 3-/4-Zylinder Reihen-Dieselmotoren**

---

### **Explosionszeichnungen Ersatzteilverzeichnis**

**DE Y1311 Stand November 2013**

**Gültig für:**

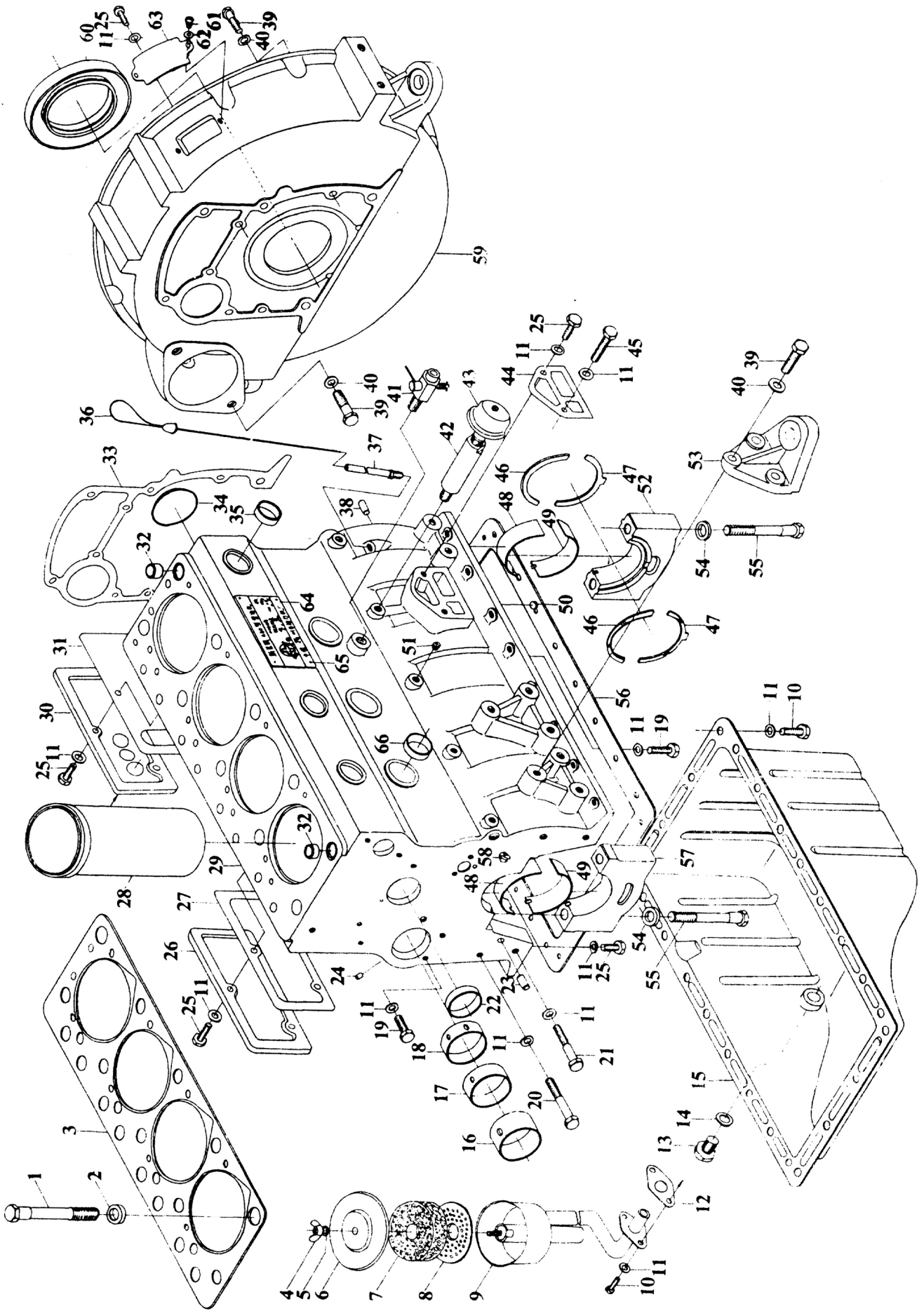
<b>Kurzbezeichnung</b>	<b>Modell</b>	<b>Art.Nr.</b>
Y380	ED4W3R-1357-15U	MOT040
	ED4W3R-1357-30U	MOT111
Y480	ED4W4R-1809-15U	MOT057
	ED4W4R-1809-30U	MOT148



## Inhaltsverzeichnis

1. Kurbelgehäuse	4
2. Kurbelgehäuse	6
3. Zahnradgruppe	8
4. Zylinderkopf Typ I	10
5. Zylinderkopf Typ II (inkl. Druckminderer)	12
6. Kolben	14
7. Kurbelwelle und Schwungrad	15
8. Nockenwelle und Stößel	16
9. Ansaugkrümmer	17
10. Abgaskrümmer	17
11. Schmiersystem	18
12. Treibstoffsystem	19
13. Kühlsystem	20
14. Elektrik	22
15. Schalldämpfer	23

1. Kurbelgehäuse: ED4W4R-1809 / Y480

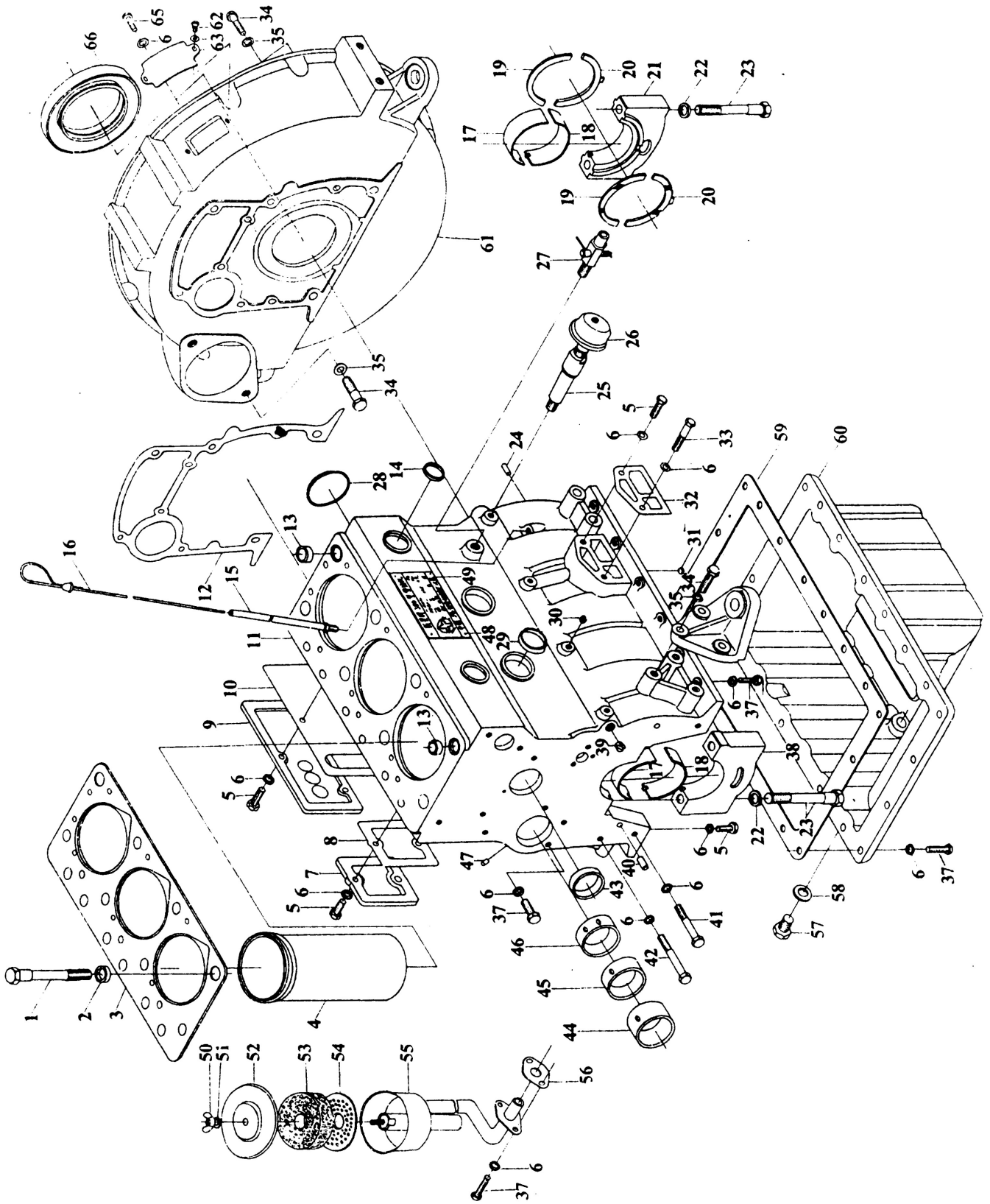


## 1. Kurbelgehäuse: ED4W4R-1809 / Y480

Nr.	Parts Nr.	Description	Qty
1	480G-01005	Cylinder head bolt	10
2	480G-01006	Cylinder head bolt washer	10
3	480G-01002	Cylinder head gasket	1
4	GB62-88	Butterfly nut M6	1
5	GB848-85	Washer 6-140HV	1
6	480G-01201	Respirator cover	1
7	480G-01203	Filter gauze	1
8	480G-01202	Respirator partition	1
9	480G-01210	Respirator weldment	1
10	GB5783-86	Bolt M8x16	24
11	GB848-85	Washer 8-140HV	54
12	480G-01011	Respirator gasket	1
13	480G-01703	Oil drain plug	1
14	480G-01704	Washer	1
15	480G-01701	Oil sump	1
16	480G-01024	Front camshaft bush	1
17	480G-01025	Middle camshaft bush	1
18	480G-01026	Rear camshaft bush	1
19	GB5783-86	Bolt M8x20	7
20	GB5782-86	Bolt M8x60	8
21	GB5782-86	Bolt M8x55	4
22	480G-01109	Bowl-shaped plug piece	2
23	GB119-86	Pin B8x20	1
24	480G-01108	Stopper	3
25	GB5783-86	Bolt M8x25	10
26	480G-01013	Side cover (I)	1
27	480G-01014	Side cover (II) spacer	1
28	480G-01003	Cylinder sleeve	4
29	480G-01111	Engine body	1
30	480G-01012	Side cover (I)	1
31	480G-01023	Side cover (I) gasket	1
32	480G-01102	Locating sleeve	2
33	480G-01009	Flywheel housing gasket	1
34	480G-01101	Plug piece	1
35	480G-01103	Bowl-shaped plug piece	4
36	480G-01400	Oil level dipstick	1
37	480G-01600	Dipstick sleeve weldment	1

Nr.	Parts Nr.	Description	Qty
38	GB119-86	Pin B10x20	2
39	GB5783-86	Bolt M10x30	14
40	GB848-85	Washer 10-140HV	14
41	480G-01300	Water drain cock	1
42	480G-01021	Connecting pipe for oil pressure sensor	1
43	480G-01500	Sensor for oil gauge	1
44	480G-01004	Oil filter gasket	1
45	GB5782-86	Bolt M8x45	1
46	480G-01007	Upper thrust piece of crankshaft	2
47	480G-01008	Lower thrust piece of crankshaft	2
48	480G-01015	Main bearing halfshell (upper)	5
49	480G-01016	Main bearing halfshell (lower)	5
50	480G-01017	Bowl-shaped plug piece	1
51	480G-01106	Z 1/8" taper plug	4
52	480G-01113	Rear main bearing cap	1
53	480G-01017	Stand bar	2
54	480G-01114	Main bearing bolt washer	10
55	480G-01115	Main bearing cap bolt	10
56	480G-01018	Oil sump gasket	1
57	480G-01112	Main bearing cap	4
58	480G-01105	Z 1/4" taper plug	2
59	480G-01010	Flywheel housing	1
60	HG4-692-67	Cased rubber oil seal PG80x100x12	1
61	GB67-85	Screw M6x12	2
62	GB97.1-85	Washer 6-140HV	2
63	480G-01019	Cover plate	1
64	480G-01020	Name plate	1
65	GB827-86	Rivet 2x5	4
66	480G-01104	Bowl-shaped plug piece	8

2. Kurbelgehäuse: ED4W3R-1357 / Y380

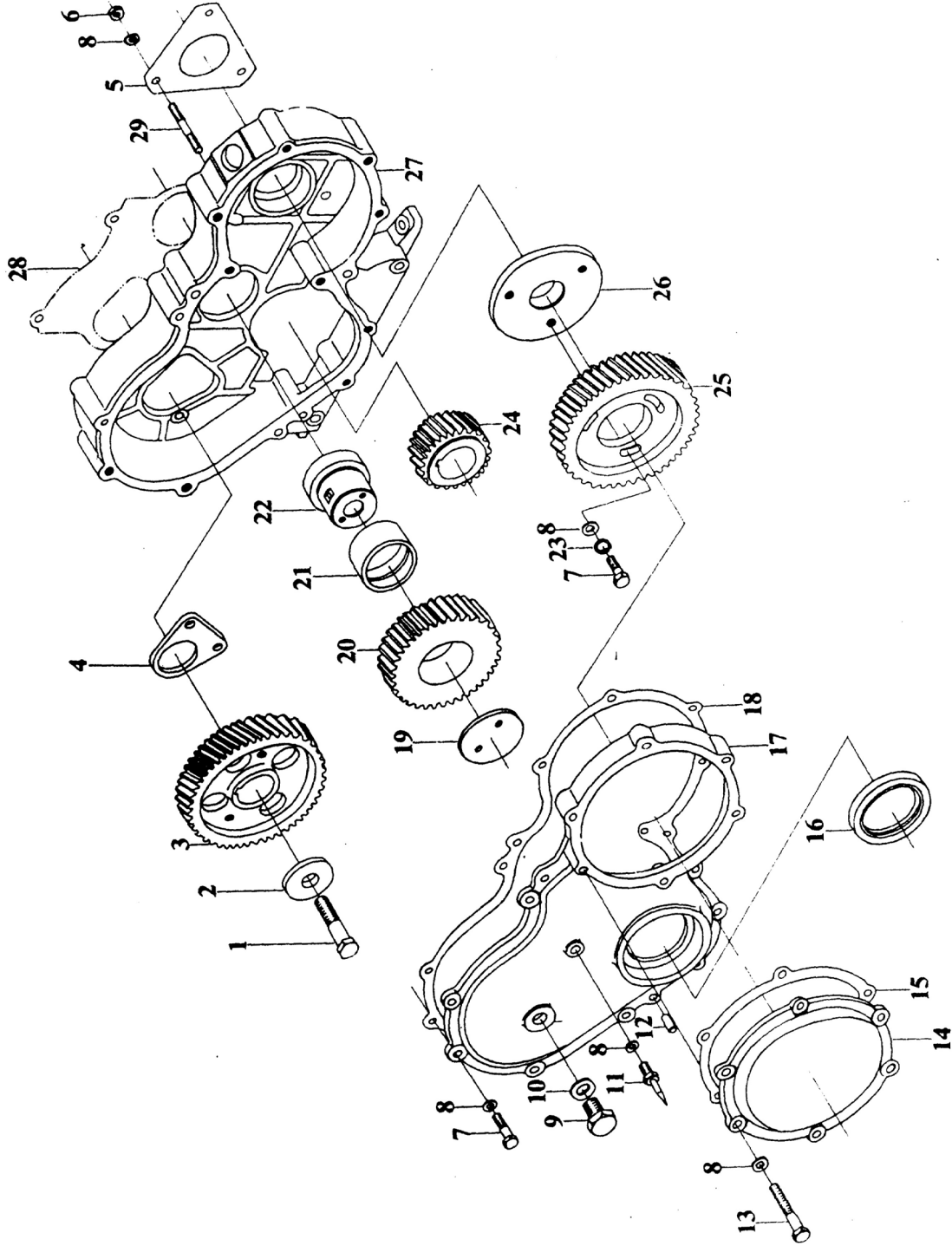


## 2. Kurbelgehäuse: ED4W3R-1357 / Y380

Nr.	Parts Nr.	Description	Qty
1	480G-01005	Cylinder head bolt	8
2	480G-01006	Cylinder head bolt washer	8
3	380-01002	Cylinder head gasket	1
4	480G-01003	Cylinder sleeve	3
5	GB5783-86	Bolt M8x25	6
6	GB848-85	Washer 8-140HV	49
7	380-01013	Side cover (I)	1
8	380-01014	Side cover (II) gasket	1
9	480G-01012	Side cover (I)	1
10	480G-01023	Side cover (I) gasket	1
11	380-01111	Engine body	1
12	480G-01009	Flywheel housing gasket	1
13	480G-01102	Locating sleeve	2
14	480G-01103	Bowl-shaped plug piece	3
15	480G-01600	Dipstick sleeve weldment	1
16	480G-01400	Oil level dipstick	1
17	480G-01015	Main bearing halfshell (upper)	4
18	480G-01016	Main bearing halfshell (lower)	4
19	480G-01007	Upper thrust piece of crankshaft	2
20	480G-01008	Lower thrust piece of crankshaft	2
21	480G-01113	Rear main bearing cap	1
22	480G-01114	Main bearing bolt washer	8
23	480G-01115	Main bearing cap bolt	8
24	GB119-86	Pin B10x20	2
25	380-01021	Connecting pipe for oil pressure sensor	1
26	480G-01500	Sensor for oil gauge	1
27	480G-01300	Water drain cock	1
28	480G-01101	Plug piece	1
29	480G-01104	Bowl-shaped plug piece	6
30	480G-01106	Z 1/8" taper plug	3
31	480G-01107	Bowl-shaped plug piece	1
32	480G-01004	Oil filter gasket	1
33	GB5782-86	Bolt M8x45	1
34	GB5783-86	Bolt M10x30	14
35	GB848-85	Washer 10-140HV	14
36	480G-01017	Stand bar	2
37	GB5783-86	Bolt M8x20	29

Nr.	Parts Nr.	Description	Qty
38	480G-01112	Main bearing cap	3
39	480G-01105	Z 1/4" taper plug	2
40	GB119-86	Pin B8x20	1
41	GB5782-86	Bolt M8x55	4
42	GB5782-86	Bolt M8x60	8
43	480G-01109	Bowl-shaped plug piece	2
44	480G-01024	Front camshaft bush	1
45	480G-01025	Middle camshaft bush	1
46	480G-01026	Rear camshaft bush	1
47	480G-01108	Stopper	3
48	GB827-86	Rivet 2x5	4
49	380-01020	Name plate	1
50	GB62-88	Butterfly nut M6	1
51	GB848-85	Washer 6-140HV	1
52	480G-01201	Respirator cover	1
53	480G-01203	Filter gauze	1
54	480G-01202	Respirator partition	1
55	480G-01210	Respirator weldment	1
56	480G-01011	Respirator gasket	1
57	480G-01703	Oil drain plug	1
58	480G-01704	Washer	1
59	380-01018	Oil sump gasket	1
60	380-01701	Oil sump	1
61	480G-01010	Flywheel housing	1
62	GB67-85	Screw M6x12	2
63	GB97.1-85	Washer 6-140HV	2
64	480G-01019	Cover plate	1
65	GB5783-86	Bolt M8x30	2
66	HG4-692-67	Cased rubber oil seal PG80x100x12	1

3. Zahnradgruppe: ED4W3R-1357 / Y380, ED4W4R-1809 / Y480

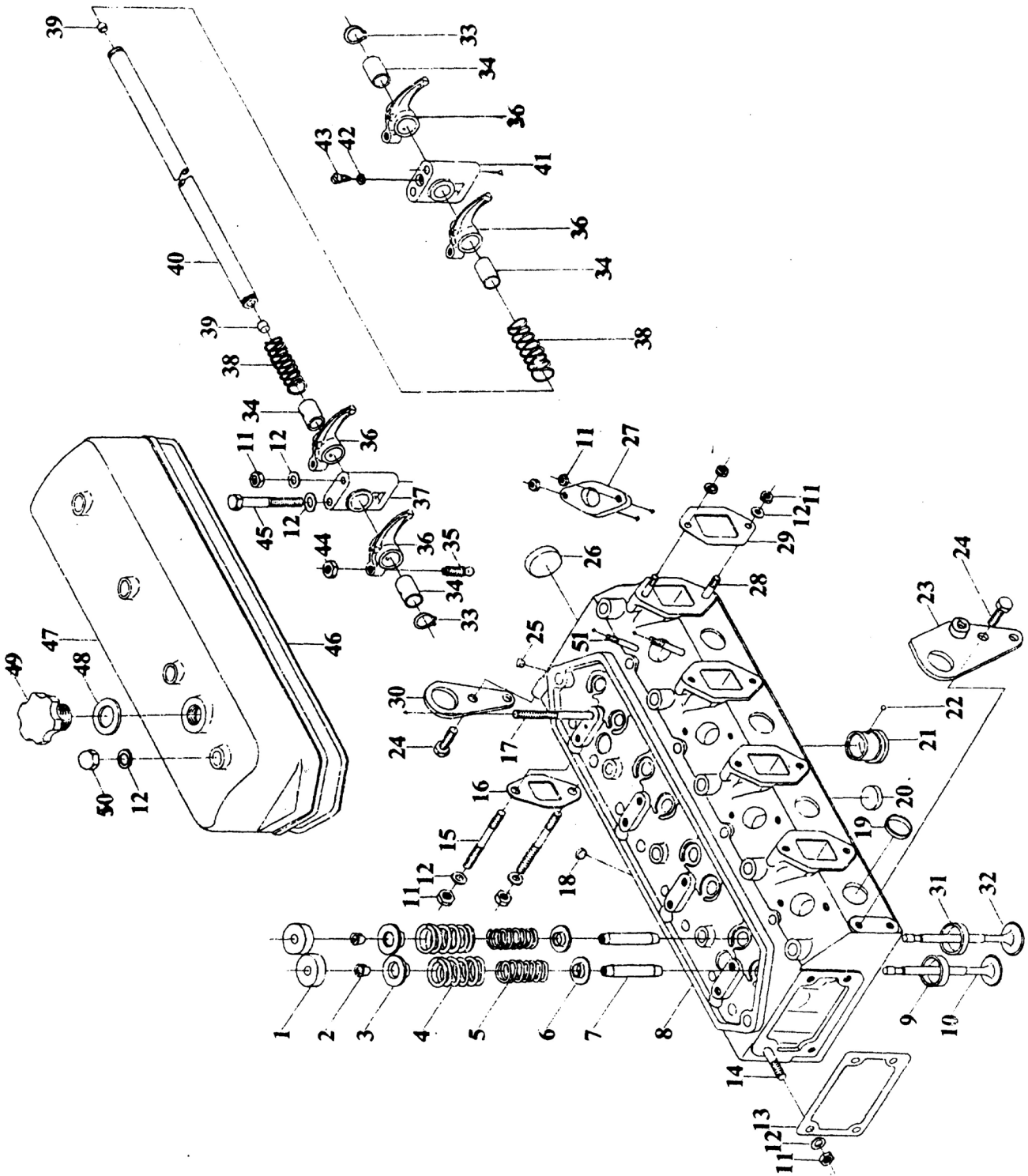




### 3. Zahnradgruppe: ED4W3R-1357 / Y380, ED4W4R-1809 / Y480

Nr.	Parts Nr.	Description	Qty
1	GB5783-86	Bolt M12x30	1
2	480G-02012	Camshaft timing gear holddown	1
3	480G-02011	Camshaft timing gear	1
4	480G-02010	Camshaft thrust plate	1
5	480G-02002	Fuel injection pump gasket	1
6	GB6170-86	Nut M8	3
7	GB5783-86	Bolt M8x20	7
8	GB848-85	Washer 8-140HV	17
9	480G-01703	Oil drain plug	1
10	480G-01704	Washer	1
11	480G-02015	Pointer	1
12	GB119-86	Pin B8x20	2
13	GB5782-86	Bolt M8x40	6
14	480G-02017	Front cover of timing gear case	1
15	480G-02016	Front cover gasket of timing gear case	1
16	HG4-692-67	Oil seal PG55x75x12 or SG55x75x12	1
17	480G-02013	Timing gear case cover	1
18	480G-02014	Timing gear case cover gasket	1
19	480G-02008	Idle gear holddown	1
20	480G-02005	Timing idle gear	1
21	480G-02006	Timing idle gear bush	1
22	480G-02007	Timing idle gear shaft	1
23	GB859-87	Washer 8	3
24	480G-02009	Crankshaft timing gear	1
25	480G-02003	Fuel injection pump timing gear	1
26	480G-02004	Fuel injection pump timing gear seat	1
27	480G-02001	Timing gear case	1
28	480G-01001	Timing gear case gasket	1
29	GB898-88	Stud M8x20	3

4. Zylinderkopf Typ I: ED4W3R-1357 / Y380, ED4W4R-1809 / Y480

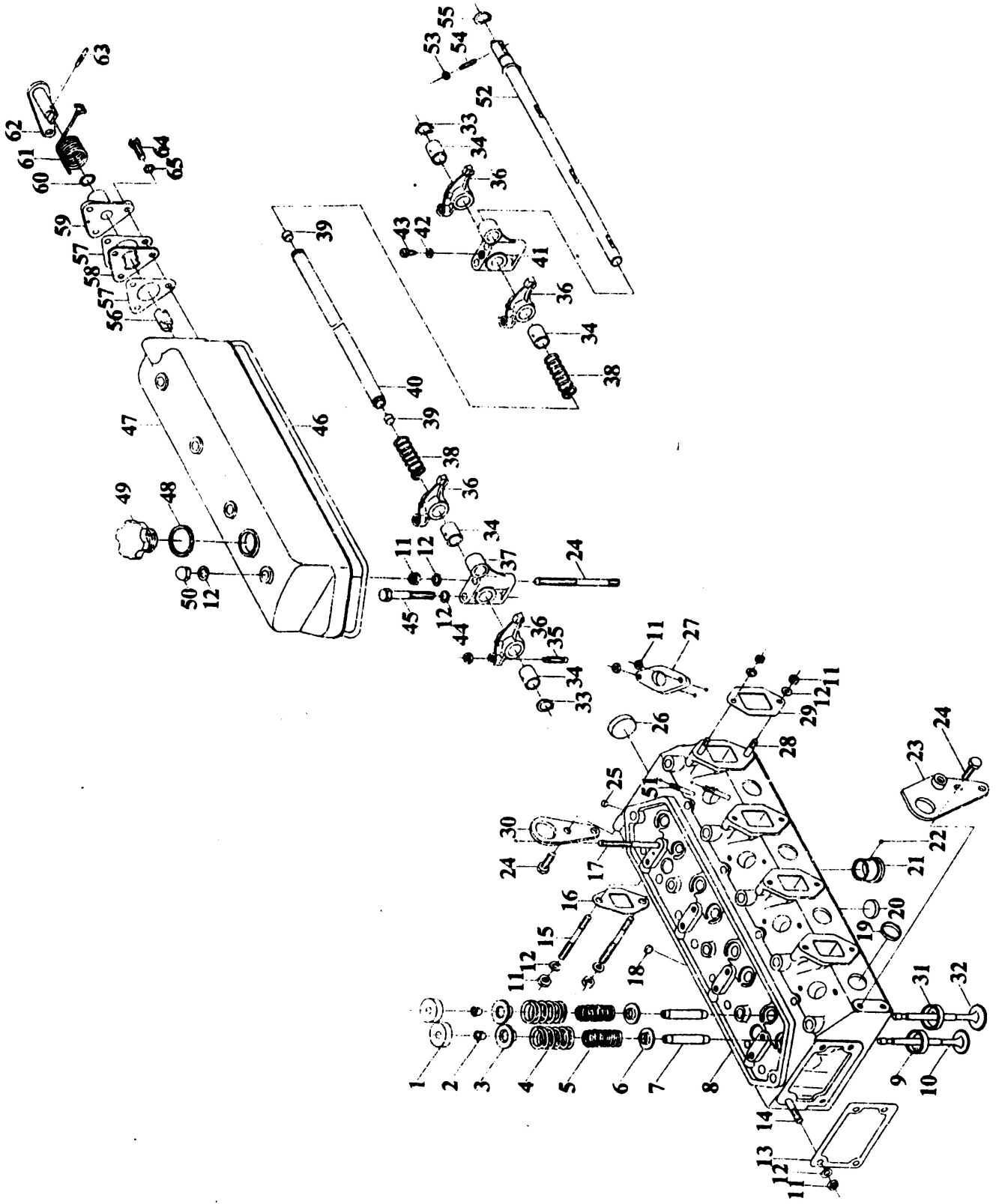


#### 4. Zylinderkopf Typ I: ED4W3R-1357 / Y380, ED4W4R-1609 / Y480

Nr.	Parts Nr.	Description	Y480 Qty	Y380 Qty
1	480G-03019	Spring seat cover (upper)	8	6
2	480G-03008	valve collets	16	12
3	480G-03009	Valve spring seat (upper)	8	6
4	480G-03007	Valve spring (outer)	8	6
5	480G-03017	Valve spring (inner)	8	6
6	480G-03018	Valve spring seat (lower)	8	6
7	480G-03102	Valve system guide	8	6
8	480G-03101	Cylinder head	1	1
	380-03101			
9	480G-03104	Exhaust valve seat	4	3
10	480G-03015	Exhaust valve	4	3
11	GB6170-86	Nut M8	36	25
12	GB848-85	Washer 8-140HV	32	25
13	480G-03016	Thermostat housing gasket	1	1
14	GB898-88	Stud M8x25	4	4
15	GB898-88	Stud M8x30	8	6
16	480G-03006	Exhaust pipe gasket	4	3
17	480G-03001	Rocker arm seat fixed bolt	4	3
18	480G-01107	Bowl-shaped plug piece D10	4	3
19	480G-01103	Bowl-shaped plug piece D25	4	3
20	480G-03106	Bowl-shaped plug piece D20	1	
21	480G-03105	Swirl-chamber splice block	4	3
22	GB308-84	Steel ball D3	4	3
23	480G-03300	Front hoisting ring weldment	1	1
24	GB5783-86	Bolt M8x20	4	4
25	480G-01108	Stopper	1	1
26	480G-01104	Bowl-shaped plug piece D32	1	1
27	195-03013	Injector holddown	4	3
28	480G-03020	Stud	8	6
29	480G-03013	Intake pipe gasket	4	3
30	480G-03012	Rear hoisting ring	1	1
31	480G-03103	Intake valve seat	4	3
32	480G-03014	Intake valve	4	3
33	GB894,1-86	Check ring	2	2
34	480G-03208	Rocker arm bush	8	6
35	480G-03201	Valve clearance adjusting screw	8	6

Nr.	Parts Nr.	Description	Y480 Qty	Y380 Qty
36	480G-03203	Valve rocker arm	8	6
37	480G-03202	Rockshaft carrier	3	2
38	480G-03204	Rockshaft spring	3	2
39	480G-03210-2	Rockshaft stopper	2	2
40	480G-03210-1	Rockshaft	1	1
	380-03210			
41	480G-03207	Rockshaft rear carrier	1	1
42	GB848-85	Washer 6-140HV	1	1
43	480G-03206	Rockshaft locating screw	1	1
44	GB6171-86	Nut M8x1	8	6
45	GB5782-86	Bolt M8x60	4	3
46	480G-03005	Cylinder head bonnet gasket	1	1
	380-03005			
47	480G-03004	Cylinder head bonnet	1	1
	380-03209			
48	480G-03003	Filler cap gasket	1	1
49	480G-03002	Filler cap	1	1
50	GB923-88	Cap nut M8	4	3
51	GB898-88	Stud M8x65	8	6

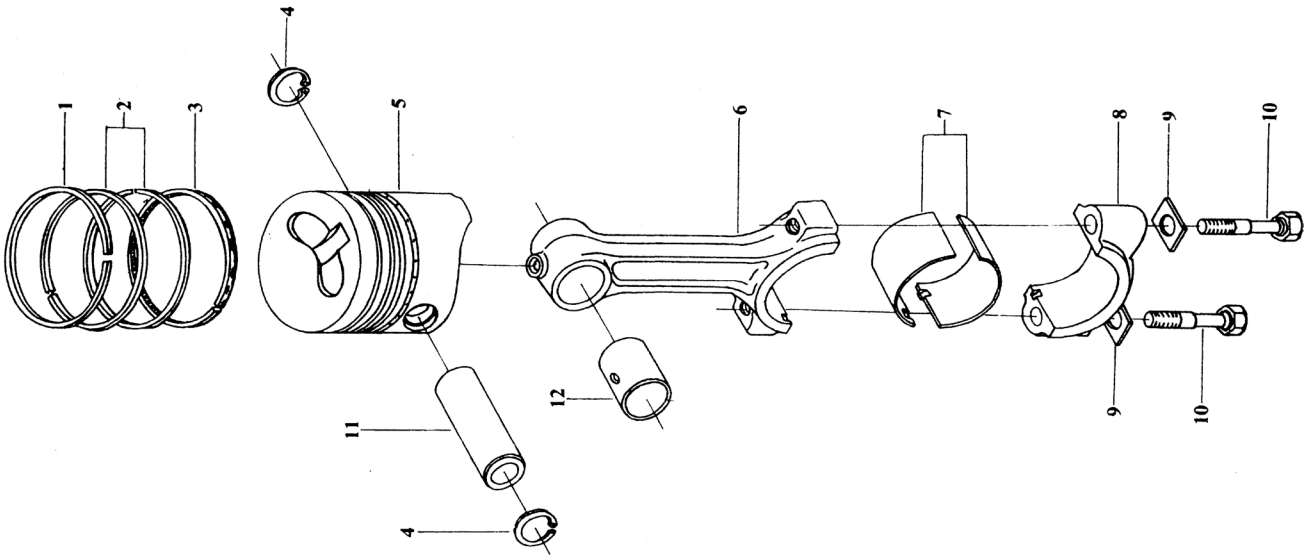
5. Zylinderkopf Typ II (inkl. Druckminderer): ED4W3R-1357 / Y380, ED4W4R-1809 / Y480



5. Zylinderkopf Typ II (inkl. Druckminderer): ED4W3R-1357 / Y380, ED4W4R-1809 / Y480

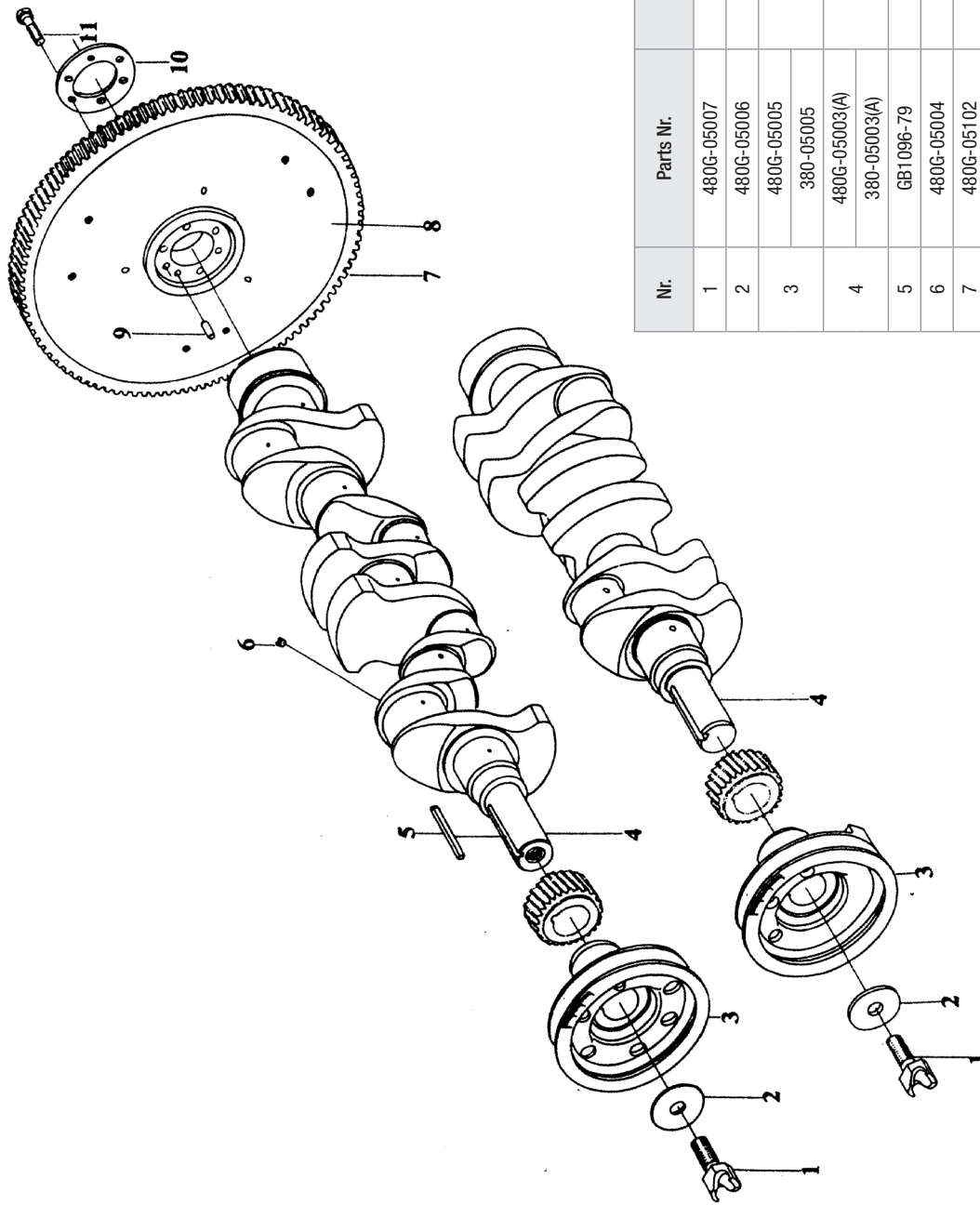
Nr.	Parts Nr.	Description	Y480 Qty	Y380 Qty
1	480G-03019	Spring seat cover (upper)	8	6
2	480G-03008	valve collets	16	12
3	480G-03009	Valve spring seat (upper)	8	6
4	480G-03007	Valve spring (outer)	8	6
5	480G-03017	Valve spring (inner)	8	6
6	480G-03018	Valve spring seat (lower)	8	6
7	480G-03102	Valve stem guide	8	6
8	480G-03101	Cylinder head	1	1
	380-03101			
9	480G-03104	Exhaust valve seat	4	3
10	480G-03015	Exhaust valve	4	3
11	GB6170-86	Nut M8	36	25
12	GB848-85	Washer 8-140HV	32	25
13	480G-03016	Thermostat housing gasket	1	1
14	GB898-88	Stud M8x25	4	4
15	GB898-88	Stud M8x30	8	6
16	480G-03006	Exhaust pipe gasket	4	3
17	480G-03001	Rocker arm seat fixed bolt	4	3
18	480G-01107	Bowl-shaped plug piece D10	4	3
19	480G-01103	Bowl-shaped plug piece D25	6	3
20	480G-03106	Bowl-shaped plug piece D20	1	
21	480G-03105	Swirl-chamber splice block	4	3
22	GB308-84	Steel ball D3	4	3
23	480G-03300	Front hoisting ring weldment	1	1
24	GB5783-86	Bolt M8x20	4	4
25	480G-01108	Stopper	1	1
26	480G-01104	Bowl-shaped plug piece D32	1	1
27	195-03013	Injector holddown	4	3
28	480G-03020	Stud	8	6
29	480G-03013	Intake pipe gasket	4	3
30	480G-03012	Rear hoisting ring	1	1
31	480G-03103	Intake valve seat	4	3
32	480G-03014	Intake valve	4	3
33	GB894,1-86	Check ring 16	2	2
34	480G-03208	Rocker arm bush	8	6
35	480G-03201	Valve clearance adjusting screw	8	6

Nr.	Parts Nr.	Description	Y480 Qty	Y380 Qty
36	480G-03203	Valve rocker arm	8	6
37	480G-5-03202	Rockshaft carrier	3	2
38	480G-03204	Rockshaft spring	3	2
39	480G-03210-2	Rockshaft stopper	2	2
40	480G-03210-1	Rockshaft	1	1
	380-03210-1			
41	480G-5-03207	Rockshaft rear carrier	1	1
42	GB848-85	Washer 6-140HV	1	1
43	480G-03206	Rockshaft locating screw	1	1
44	GB6171-86	Nut M8x1	8	6
45	GB5782-86	Bolt M8x60	4	3
46	480G-03005	Cylinder head bonnet gasket	1	
	380-03005			
47	480G-5-03209	Cylinder head bonnet	1	1
	380-03209			
48	480G-03003	Filler cap gasket	1	1
49	480G-03002	Filler cap	1	1
50	GB923-88	Cap nut M8	4	3
51	GB898-88	Stud M8x65	8	6
52	480G-5-03211	Decompression shaft	1	
	380-03211			
53	GB6171-86	Nut M8x1	12	9
54	480G-5-03217	Decompression adjusting screw	4	3
55	GB894,1-86	Check ring 14	2	2
56	480G-5-03218	Cross connection	1	1
57	480G-5-03212	Gasket	2	2
58	480G-5-03213	Decompressor control plate	1	1
59	480G-5-03216	Decompressor rocker arm bush	1	1
60	GB3452,1-82	O-ring seal 13.2x2.65	1	1
61	480G-5-03215	Torsion spring	1	1
62	480G-5-03220	Decompression rocker arm weldment	1	1
63	480G-5-03214	Limiting pin	1	1
64	GB5783-86	Bolt M8x25	3	3
65	GB859-87	Washer 8	3	3



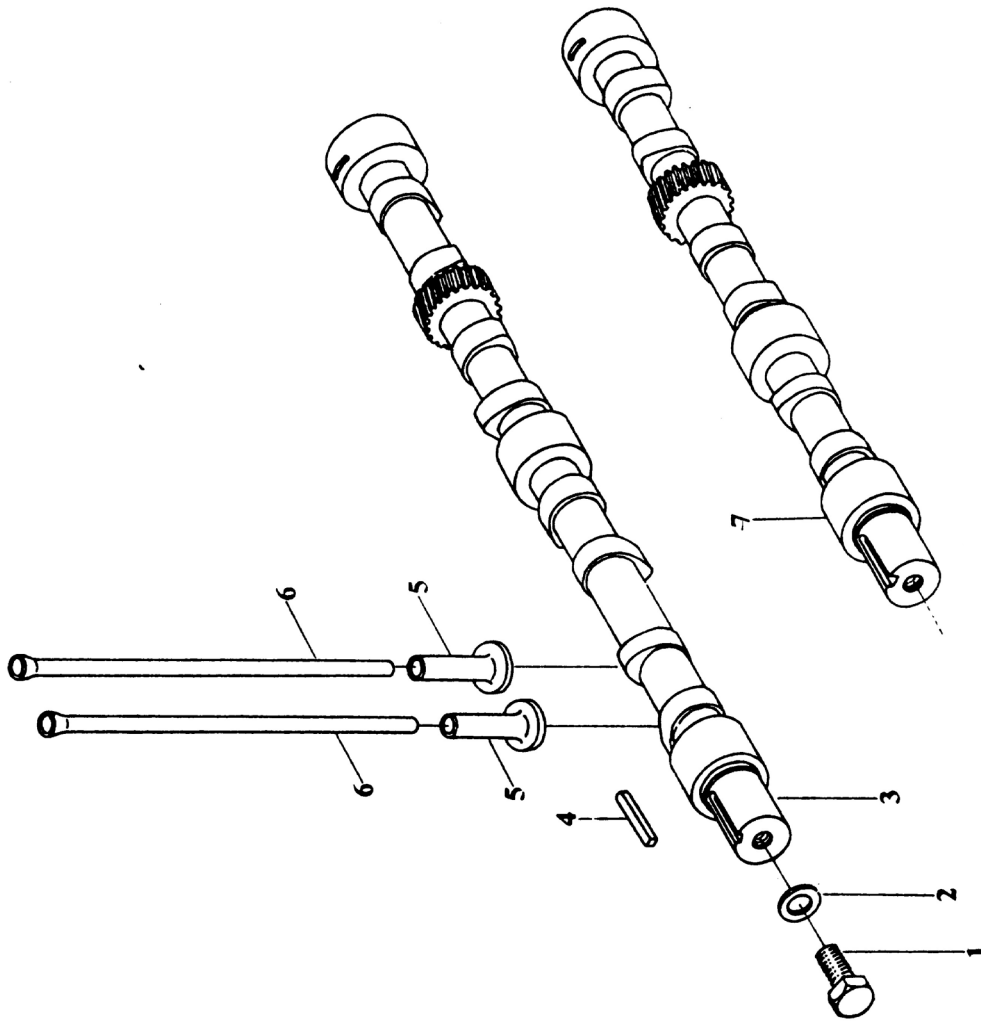
Nr.	Parts Nr.	Description	Y480 Qty	Y380 Qty
1	480G-04001	Top compression ring	4	3
2	480G-04002	2nd compression ring	4	3
3	480G-04100	Oil ring unit	4	3
4	GB893.1-86	Circlip for hole 26	8	6
5	480G-04005	Piston	4	3
6	480G-04202	Connecting rod	4	3
7	480G-04003	Connecting rod bearing shell	8	6
8	480G-04203	Connecting rod cap	4	3
9	480G-04205	Connecting rod bolt lock plate	8	6
10	480G-04204	Connecting rod bolt	8	6
11	480G-04004	Piston pin	4	3
12	480G-04201	Connecting rod bush	4	3

7. Kurbelwelle und Schwungrad: ED4W3R-1357 / Y380, ED4W4R-1809 / Y480



Nr.	Parts Nr.	Description	Y480 Qty	Y380 Qty
1	480G-05007	Starting claw	1	1
2	480G-05006	Starting claw backing plate	1	1
3	480G-05005	Crankshaft belt pulley	1	1
	380-05005			
4	480G-05003(A)	Crankshaft	1	1
	380-05003(A)			
5	GB1096-79	Key C10x64	1	1
6	480G-05004	Plug	4	3
7	480G-05102	Flywheel gear ring	1	1
	480G-05101			
8	380-05101	Flywheel	1	1
9	GB119-86	Pin B8x20	1	1
10	480G-05002	Flywheel bolt backing plate	1	1
11	480G-05001	Flywheel bolt	6	6

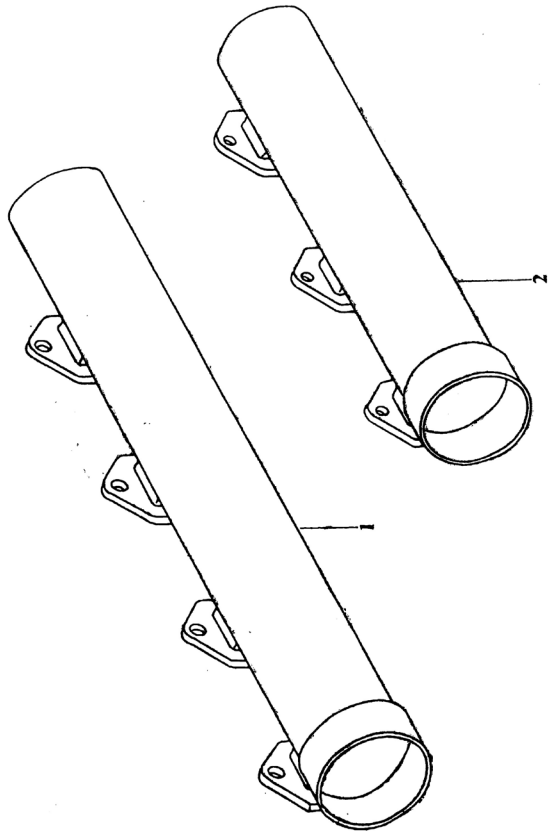
8. Nockenwelle und Stößel: ED4W3R-1357 / Y380, ED4W4R-1809 / Y480



Nr.	Parts Nr.	Description	Y480 Qty	Y380 Qty
1	GB5783-86	Bolt M12x30	1	1
2	GB848-85	Washer 12-140HV	1	1
3	480G-06001	Camshaft	1	
4	GB1096-79	Key C8x22	1	1
5	480G-06002	Tappet	8	6
6	480G-06003	Push rod	8	6
7	380-06001	Camshaft		1

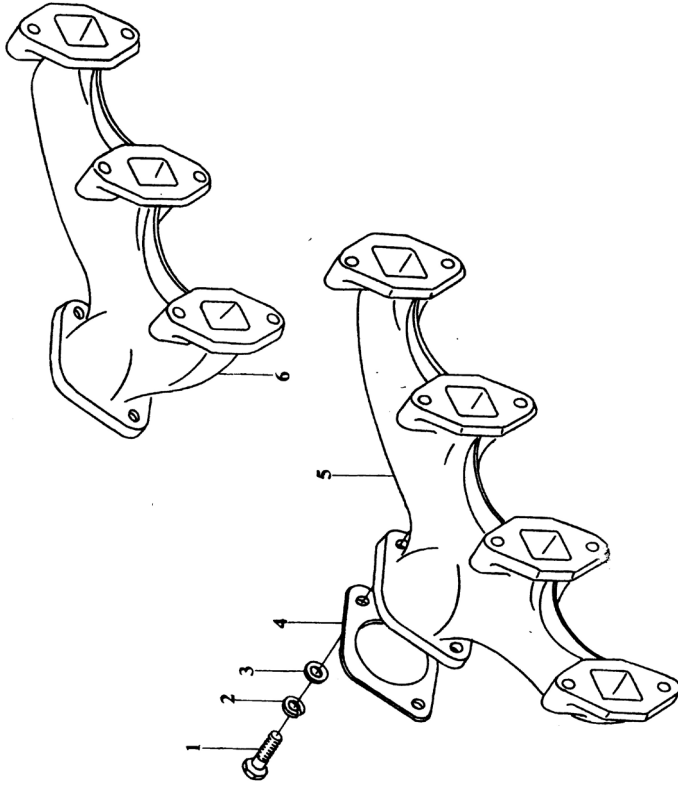


9. Ansaugkrümmer: ED4W3R-1357 / Y380, ED4W4R-1809 / Y480



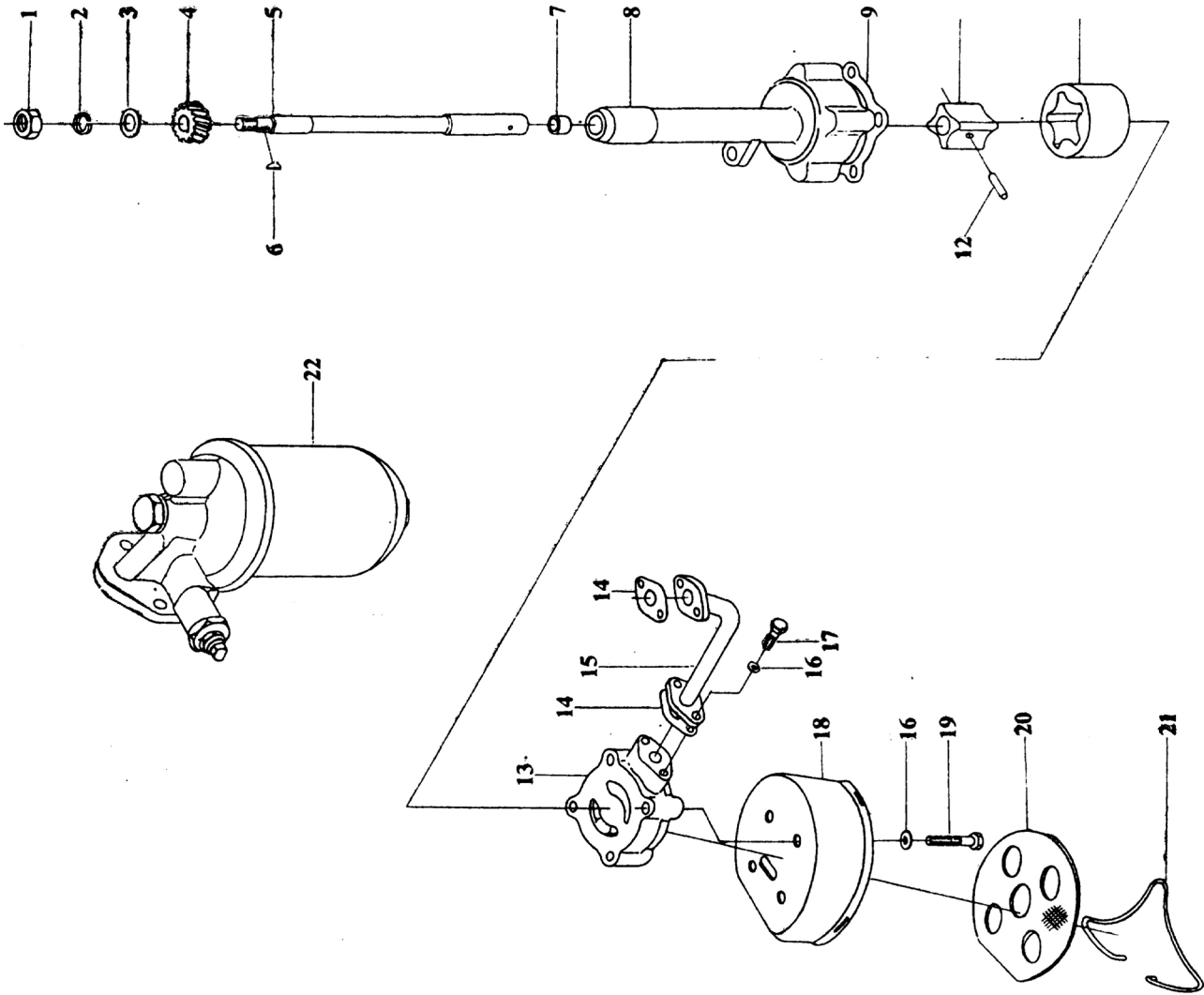
Nr.	Parts Nr.	Description	Y480 Qty	Y380 Qty
1	480G-07000	Intake pipe assy	1	1
2	380-07000			

10. Abgaskrümmer: ED4W3R-1357 / Y380, ED4W4R-1809 / Y480



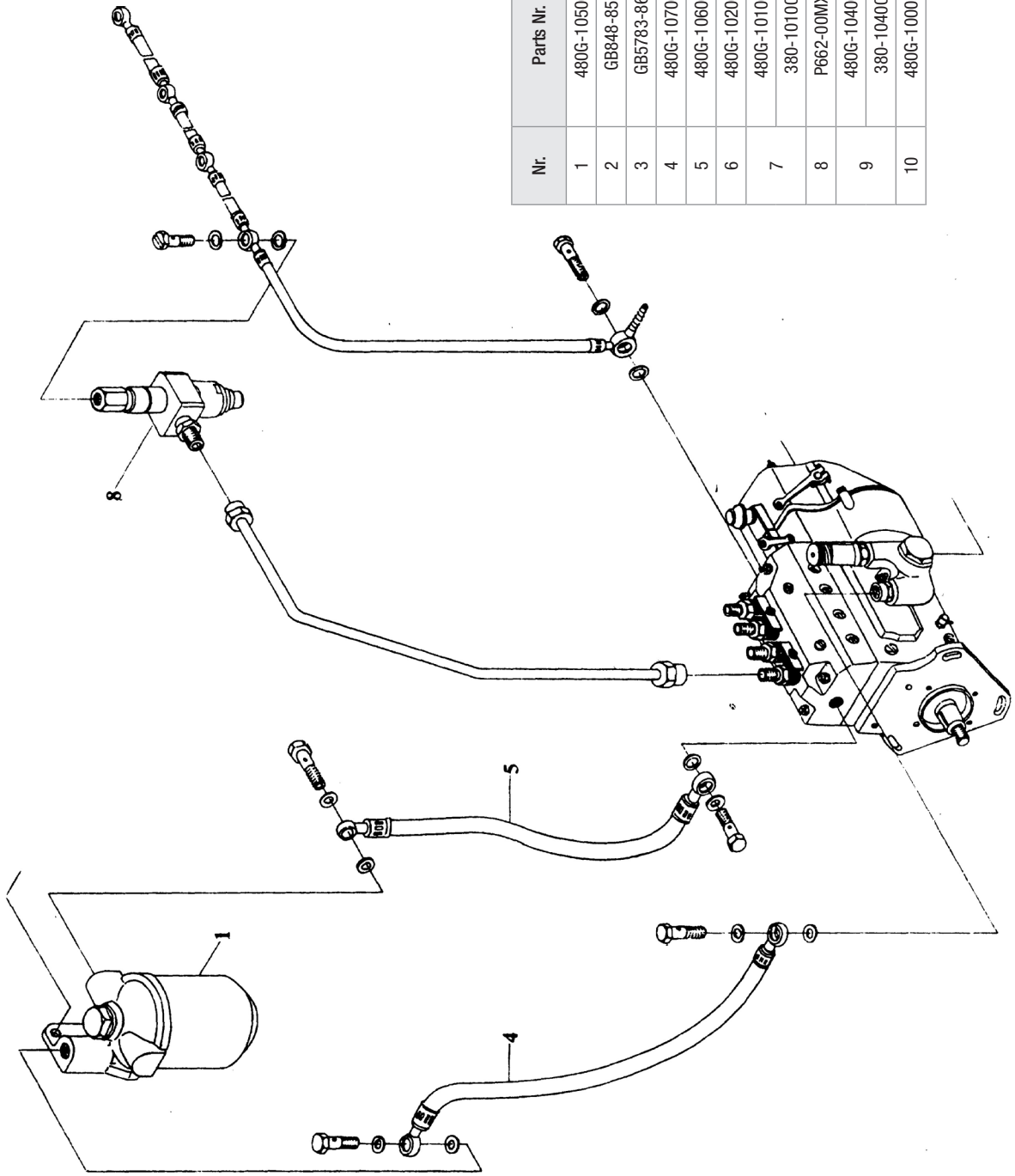
Nr.	Parts Nr.	Description	Y480 Qty	Y380 Qty
1	GB5783-86	Bolt M10x30	2	2
2	GB859-87	Washer 10	2	2
3	GB848-85	Washer 10-140HV	2	2
4	480G-08002	General exhaust pipe gasket	1	1
5	480G-08001	Exhaust pipe	1	1
6	380-08001	Exhaust pipe		1

11. Schmiersystem: ED4W3R-1357 / Y380, ED4W4R-1809 / Y480



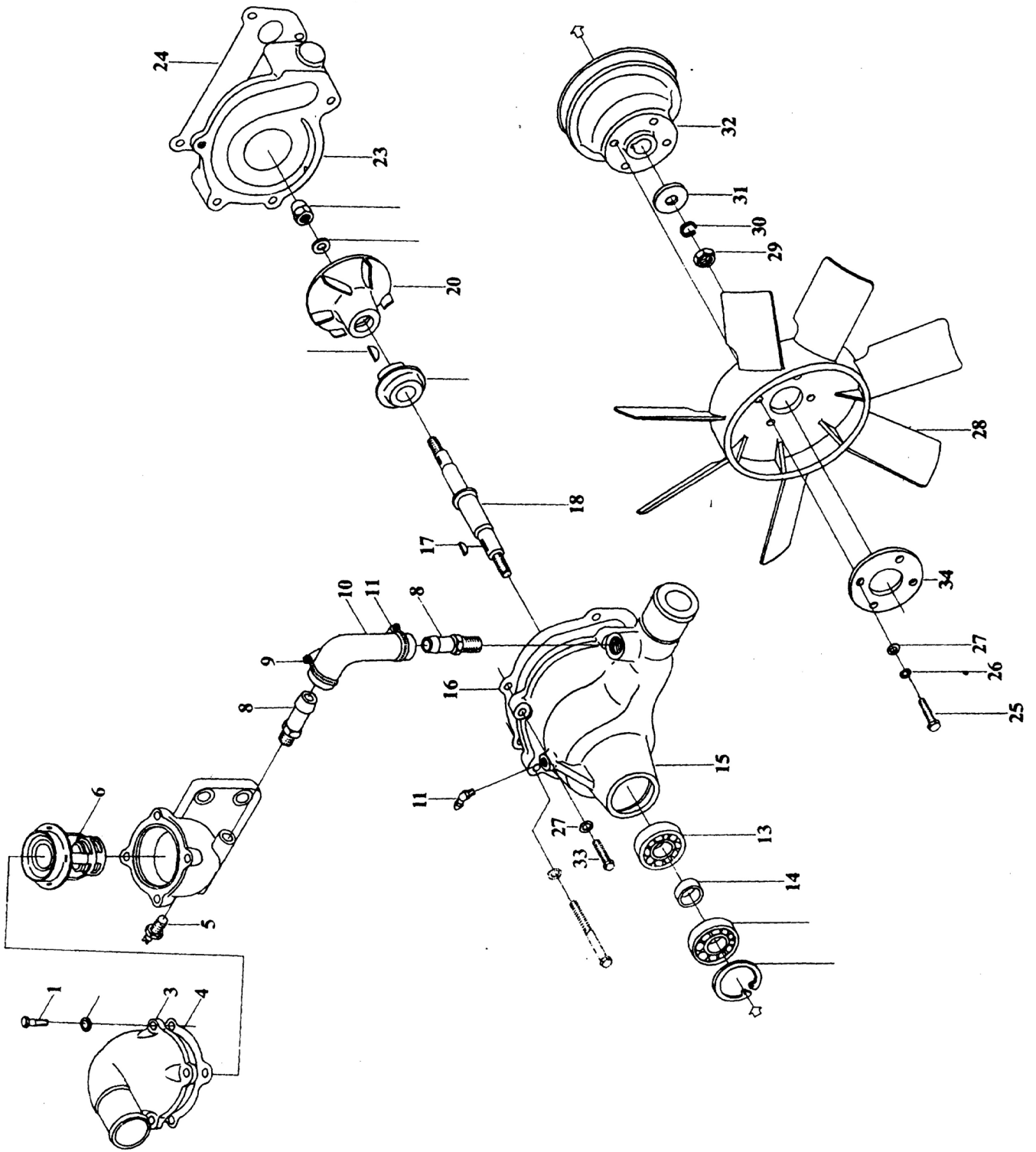
Nr.	Parts Nr.	Description	Qty
1	GB6170-86	Nut M10	1
2	GB93-87	Washer 10	1
3	GB848-85	Washer 10-140HV	1
4	480G-09101	Oil pump drive gear	1
5	480G-09111	Oil pump shaft	1
6	GB1099-79	Semicircular key 3x5x13	1
7	480G-09102	Oil pump body bush	1
8	480G-09103	Oil pump body	1
9	480G-09105	Oil pump gasket	1
10	480G-09112	Inner rotor	1
11	480G-09104	Outer rotor	1
12	480G-09113	Cylindrical pin	1
13	480G-09106	Oil pump cover	1
14	480G-09002	Oil outlet pipe flange gasket	2
15	480G-09400	Oil line unit	1
16	GB848-85	Washer 8-140HV	6
17	GB5783-86	Bolt M8x20	1
18	480G-09001	Gauze filter body	1
19	GB5782-86	Bolt M8x40	4
20	480G-09200	Gauze filter weldment	1
21	480G-09003	Gauze support	1
22	480G-09300	Oil filter assy	1

12. Treibstoffsystem: ED4W3R-1357 / Y380, ED4W4R-1809 / Y480



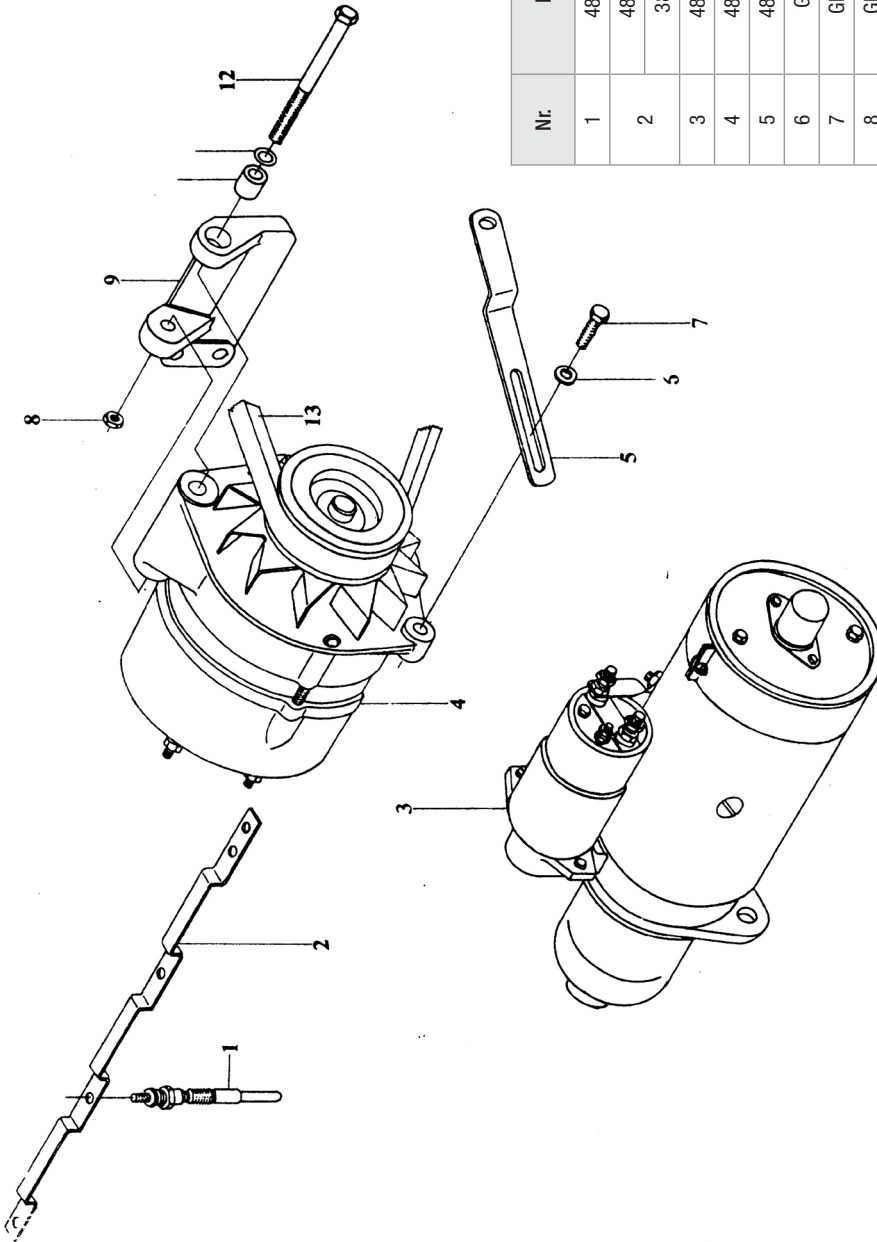
Nr.	Parts Nr.	Description	Y480 Qty	Y380 Qty
1	480G-10500	Fuel filter assy	2	2
2	GB848-85	Washer 8-140HV	1	1
3	GB5783-86	Bolt M8x25	1	1
4	480G-10700	Lines from injection pump to filter	1	1
5	480G-10600	Lines from filter to injection pump	1	1
6	480G-10200	Fuel injection pipe	4	3
7	480G-10100	Injection pump assy	1	1
8	P662-00MX	Injector assy	4	3
9	480G-10400	Fuel return pipe	1	1
10	480G-10001	Injection pump fittings	1	1

13. Kühlsystem: ED4W3R-1357 / Y380, ED4W4R-1809 / Y480



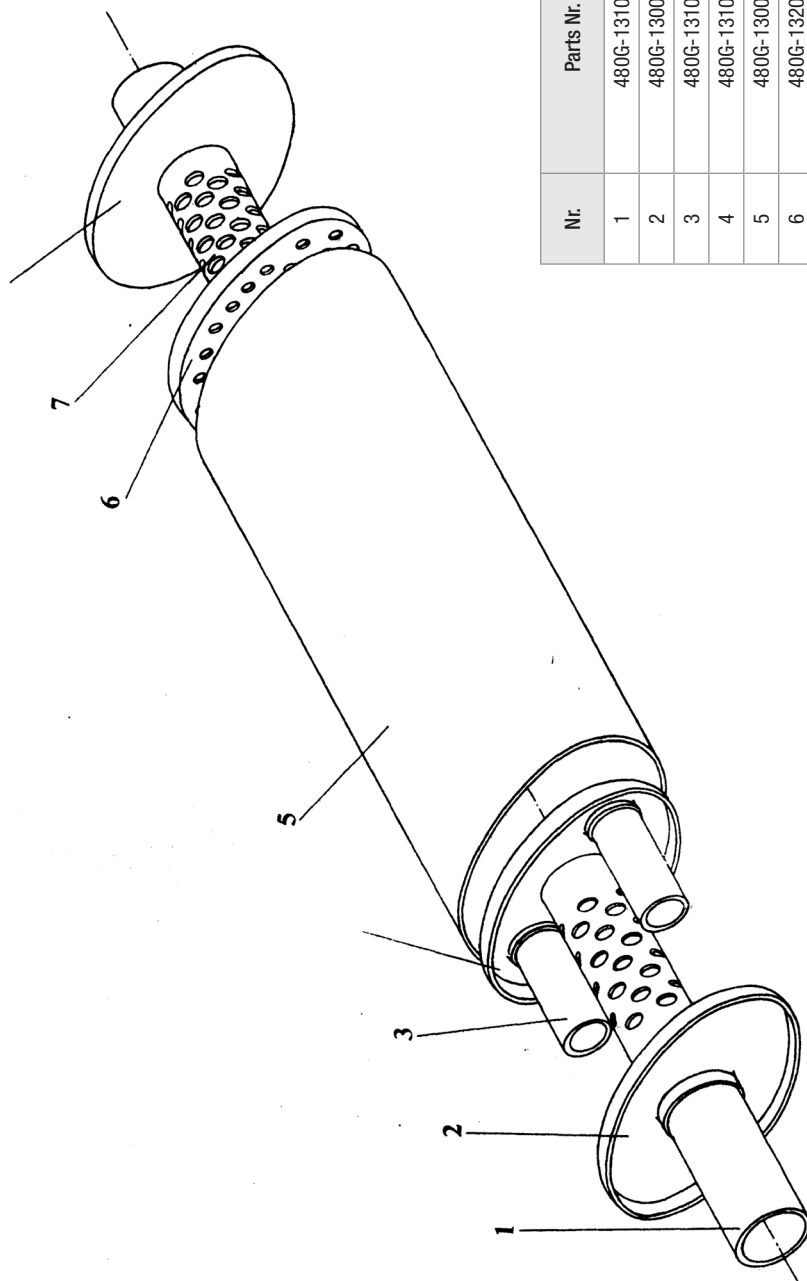
13. Kühlsystem: ED4W3R-1357 / Y380, ED4W4R-1809 / Y480

Nr.	Parts Nr.	Description	Qty
1	GB5783-86	Bolt M6x20	4
2	GB848-85	Washer 6-140HV	4
3	480G-11301	Thermostat cover	1
4	480G-11302	Thermostat cover gasket	1
5		Water temperature induction	1
6	480G-11303	Thermostat SH130	1
7	480G-11304	Thermostat housing	1
8	480G-11109	Small circulating adapter	2
9	No.1A	Screw clip D3/4"-1 1/8"	2
10	480G-11001	Rubber bent pipe	1
11	GB1153-79	Oil cup 45° M10x1	1
12	GB893.1-86	Check ring 40	1
13	GB278-82	Single-row radial ball bearing 60203	2
14	480G-11104	Bearing spacer	1
15	480G-11103	Water pump housing	1
16	480G-11107	Water pump gasket	1
17	GB1099-79	Semicircular key 4x6.5x16	2
18	480G-11106	Water pump shaft	1
19	IF-15	Ceramic graphite water seal	1
20	480G-11105	Water pump impeller	1
21	480G-11110	Copper washer	1
22	GB923-88	Cap nut M10	1
23	480G-11108	Water pump rear cover	1
24	480G-11107	Water pump gasket	1
25	GB5783-86	Bolt M8x20	4
26	GB859-87	Washer 8	4
27	GB848-85	Washer 8-140HV	5
28	480G-11200	Fan	1
29	GB6170-86	Nut M10	1
30	GB859-87	Washer 10	1
31	480G-11101	Washer	1
32	480G-11102	Water pump belt pulley	1
33	GB5783-86	Bolt M8x30	1
34	480G-11003	Fan holddown	1

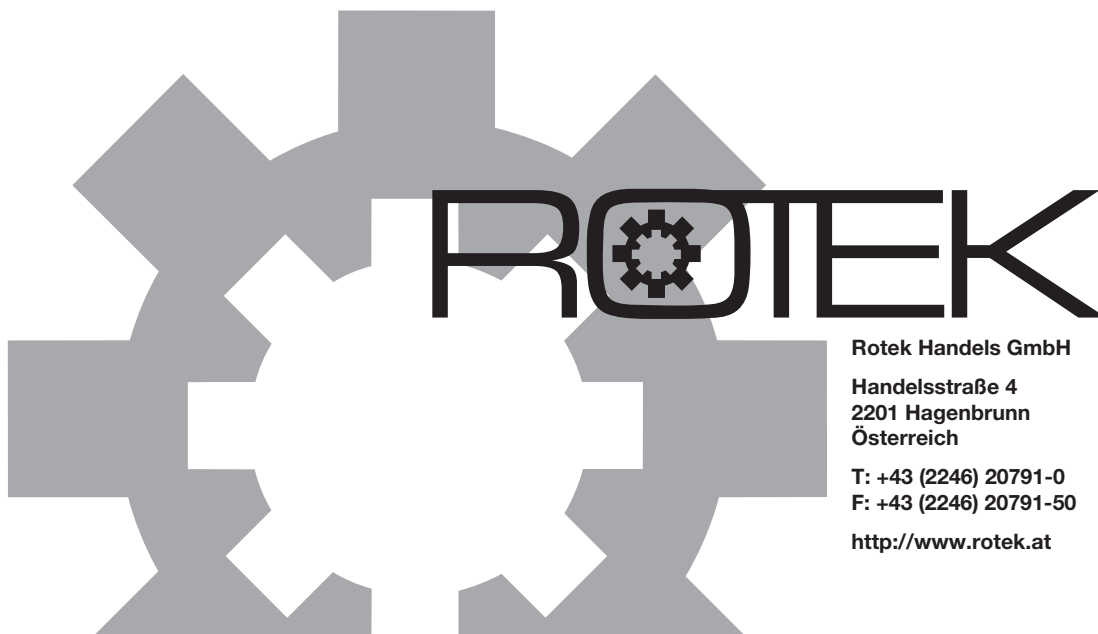


Nr.	Parts Nr.	Description	Y480 Qty	Y380 Qty
1	480G-12200	Glow plug	4	3
2	480G-12002	Current-conducting plate	1	
	380-12002			
	480G-12300			
3	480G-12300	Starting motor unit	1	1
4	480G-12100	Alternator JF-11 350W 14V	1	1
5	480G-12003	Alternator support (lower)	1	1
6	GB848-85	Washer 8-140HV	1	1
7	GB5783-86	Bolt M8x20	1	1
8	GB6170-86	Nut M10	1	1
9	480G-12001	Alternator support body (upper)	1	1
10	480G-12004	Holddown sleeve of alternator support (upper)	1	1
11	GB848-85	Washer 10-140HV	1	1
12	GB5782-86	Bolt M10x95	1	1
13	GB1171-74	V-belt A-950	1	1

15. Schalldämpfer: ED4W3R-1357 / Y380, ED4W4R-1809 / Y480



Nr.	Parts Nr.	Description	Y480 Qty
1	480G-13101	Exhaust pipe	1
2	480G-13001	Cover plate	2
3	480G-13102	Center pipe	2
4	480G-13103	Spacer plate	1
5	480G-13002	Housing	1
6	480G-13201	Punched plate	1
7	480G-13202	Intake pipe	1



**Rotek Handels GmbH**

**Handelsstraße 4  
2201 Hagenbrunn  
Österreich**

**T: +43 (2246) 20791-0  
F: +43 (2246) 20791-50**

**<http://www.rotek.at>**

---