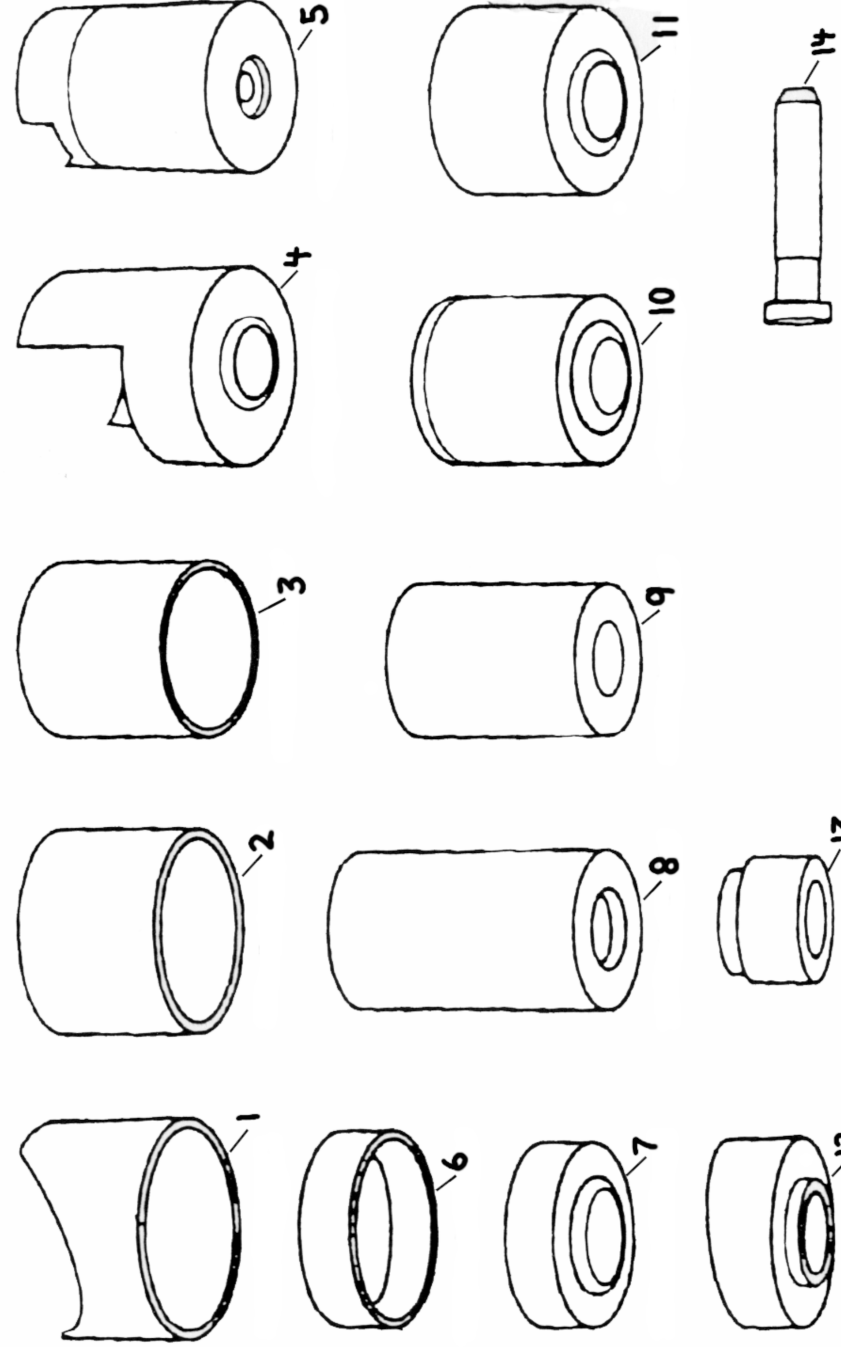


NOTE

Some parts are listed and shown for illustration purposes only, and are not available individually as replacement parts.



Quantity = One Each

Part Number	Description	Part Number	Description
1	Receiving Tube	9	Installing Tube
2	Receiving Tube	10	Receiving Tube
3	Receiving Tube	11	Receiving Tube
4	Receiving Tube	12	Receiving Cup
5	Receiving Tube	13	Remover / Installer
6	Receiving Tube	14	Plug Bolt
7	Receiving Cup	15	Carrying Case (Not Shown)
8	Installing Tube		

PARTS LIST

14 PC

MASTER BALL JOINT ADAPTER SET

(FOR USE WITH 3-IN-1 SERVICE KIT)

OPERATING INFORMATION



Diagrams within this manual may not be drawn proportionally. Due to continuing improvements, actual product may differ slightly from the product described herein.

Read this material before using this product. Failure to do so can result in serious injury. SAVE THIS MANUAL.

4. Using a wrench, turn the Forcing Screw assembly clockwise to install the ball joint.

3. Align the mounted Remover/Installer (part 13), ball joint, and proper size Receiver Tube (part 1, 2, 3, 4, 5, 6, 10, or 11) to allow installation of the ball joint.

2. Place the mounted Remover/Installer (part 13) on the *unthreaded* side of the ball joint.

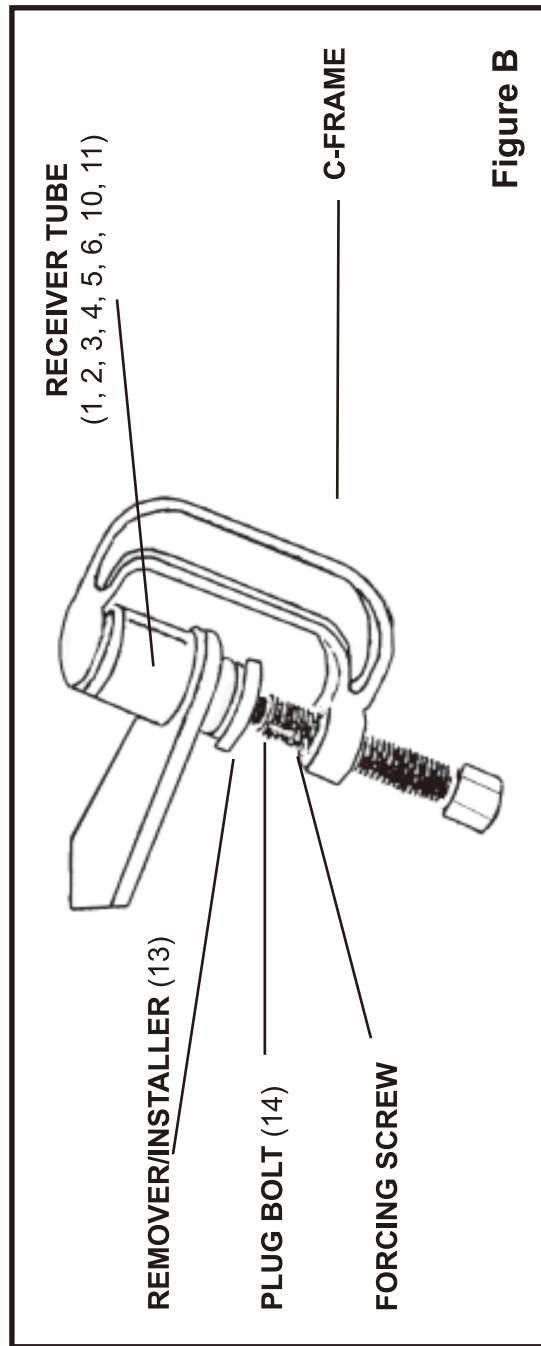
1. Mount the Remover/Installer (part 13) on the Forcing Screw assembly so that the larger diameter portion of the Remover/Installer faces the *threaded* hole of the C-Frame, and the smaller diameter portion faces the *unthreaded* side of the ball joint.

To Install A Ball Joint:

(See Figure B, and Parts List on Page 10.)

4. Align the mounted Remover/Installer (part 13), ball joint, and Receiver Tube (part 1, 2, 3, 4, 5, 6, 10, or 11) to allow removal of the ball joint.

(See Figure B, and Parts list on Page 10.)



3. Mount the proper size Receiver Tube (part 1, 2, 3, 4, 5, 6, 10, or 11) over the threaded side of the ball joint.

2. Mount the Remover/Installer (part 13) on the Forcing Screw assembly so that the larger diameter portion of the Remover/Installer faces the *threaded* hole of the C-Frame, and the smaller diameter portion faces the *unthreaded* side of the ball joint. (See Figure B, and Parts List on Page 10.)

1. Remove all attaching hardware from the ball joint.

NOTE: The following instructions apply to most GM, Ford, and Dodge 2 and 4 wheel drive pickups, vans, and SUV's through 1987 (see charts on pages 7 through 9). The instructions are intended to illustrate the process in general terms, not to be specific to any one make/model vehicle. A combination of Receiving Tubes (parts 1, 2, 3, 4, 5, 6, 10, 11), Receiving Cups (parts 7 & 12), and Installing Tubes (parts 8 & 9), will be necessary for different vehicles.

To Remove A Ball Joint:

5. Screw the threaded end of the Forcing Screw, with its Steel Ball, O-Ring, and attached Plug Bolt (part 14) back into the threaded end of the C-Frame toward the unthreaded hole of the C-Frame. (See Figure A, and Parts List on Page 10.)

To Install A Ball Joint:

4. Make sure the Steel Ball and O-Ring remain inside the Forcing Screw. Then, insert the Plug Bolt (part 14) into the Forcing Screw, if required.

3. To do so, unscrew and remove the Forcing Screw, Steel Ball, and O-Ring from the C-Frame. (See Figure A, and Parts List on Page 10.)

2. To operate the Master Ball Joint Adapter Set, it will be necessary to attach the Plug Bolt (part 14) contained in this Set to the C-Frame of the 3-in-1 Service Kit. (See Figure A, and Parts List on Page 10.)

1. The illustration in Figure A depicts a disassembled C-Frame, a tool that is part of the 3-in-1 Service Kit (Model 383355) and recommended for use with this Master Ball Joint Adapter Set. (See Figure A.)

NOTE

This set is recommended for use with the 3-in-1 Service Kit.

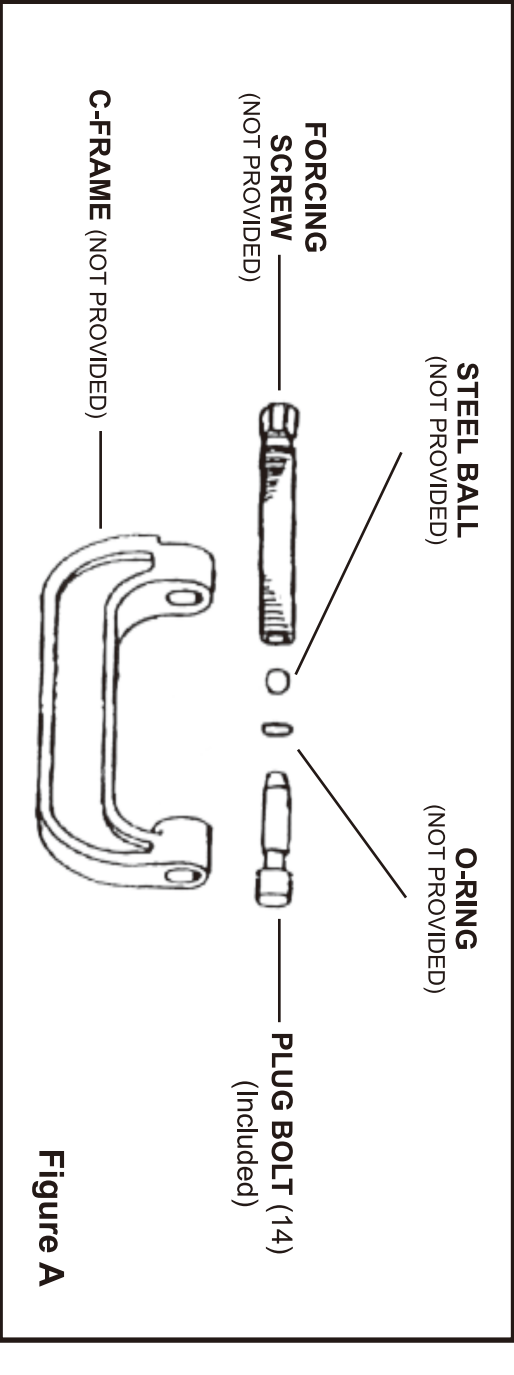
12. **MAINTAIN THIS PRODUCT WITH CARE.**
Keep this tool clean and dry for better and safer performance.

13. **USE THE RIGHT PRODUCT FOR THE RIGHT JOB.** There are certain applications for which this product was designed. Do not use small equipment, light or heavy tools, or other power tools, or other equipment, tools or accessories. Do not use this product for a purpose for which it was not intended.

14. **PRIOR TO USING THIS PRODUCT MAKE SURE TO READ AND UNDERSTAND ALL INSTRUCTIONS AND SAFETY PRECAUTIONS AS OUTLINED IN THE VEHICLES MANUFACTURER'S MANUALS.**

15. **NEVER WORK UNDERNEATH A VEHICLE WITHOUT USING ADDITIONAL SAFETY SUPPORT DEVICES (I.E., JACK STANDS) TO SUPPORT THE WEIGHT OF THE VEHICLE.**
Read and understand all safety warnings and instructions provided in the instruction manual of the vehicle as well as the jack stand being used to support the vehicle.

To Attach The Plug Bolt To The C-Frame:



Upper/Lower	Vehicle													
	1	2	3	4	5	6	7	8	9	10	11	12	13	14
Upper														
Lower														

BALL JOINT ADAPTER APPLICATIONS

Upper/Lower	Vehicle													
	1	2	3	4	5	6	7	8	9	10	11	12	13	14
Upper														
Lower														

INSPECTION AND MAINTENANCE

Before each use, inspect the general condition of the Master Ball Joint Adapter set. Check for cracks, breaks, or bands in the tool, and any other condition that may affect its safe operation. If a problem occurs with the tool, immediately discontinue its use and have the problem corrected before further use. Do not use damaged equipment.

CLEANING

Wipe with a damp cloth. You may use a mild detergent or mild solvent.

PLEASE READ THE FOLLOWING CAREFULLY

THE MANUFACTURER AND/OR DISTRIBUTOR HAS PROVIDED THIS MANUAL AS A REFERENCE TOOL ONLY. NEITHER THE MANUFACTURER NOR DISTRIBUTOR MAKES ANY REPRESENTATION OR WARRANTY OF ANY KIND TO THE BUYER THAT THE OR SHE IS QUALIFIED TO MAKE ANY REPAIRS TO THE PRODUCT. IN FACT, THE MANUFACTURER AND/OR DISTRIBUTOR EXPRESSLY STATES THAT THE BUYER'S USE OF THIS PRODUCT IS AT HIS OR HER OWN RISK. THE BUYER ASSUMES ALL RISK AND LIABILITY ARISING OUT OF HIS OR HER REPAIRS TO THE ORIGINAL PRODUCT OR REPLACEMENT PARTS THERE TO. OR ARISING OUT OF HIS OR HER INSTALLATION OF REPLACEMENT PARTS THERE TO.

REPLACEMENT PARTS AND ACCESSORIES.

When servicing, use only identical replacement parts. Only use accessories intended for use with this product.

Approved accessories are available from Harbor Freight Tools.

11. **REPLACEMENT PARTS AND ACCESSORIES.**

10. **CHECK FOR DAMAGED PARTS.** Before using this product, carefully check that it will operate properly and perform its intended function.

9. **STAY ALERT!** Watch what you are doing at all times. Use common sense. Do not use this product when you are tired or distracted from the job at hand.

8. **DO NOT OVERREACH.** Keep proper footing and balance at all times to prevent tripping, falling, back injury, etcetera.

7. **INDUSTRIAL APPLICATIONS MUST FOLLOW OSHA REQUIREMENTS.**

6. **DO NOT OVERREACH.** Keep proper footing and balance at all times to prevent tripping, falling, back injury, etcetera.

5. **USE EYE PROTECTION.** Wear ANSI approved eye goggles or safety glasses when using this product.

4. **DO NOT USE THIS PRODUCT IF UNDER THE INFLUENCE OF DRUGS, ALCOHOL, OR MEDICATION.** Read the instructions and labels on all prescription and over-the-counter medications. Do not use this product if you are impaired while taking drugs and alcohol. If there is any loss of consciousness or dizziness, stop using this product.

3. **DO NOT USE THIS PRODUCT IF UNDER THE INFLUENCE OF DRUGS, ALCOHOL, OR MEDICATION.** Read the instructions and labels on all prescription and over-the-counter medications. Do not use this product if you are impaired while taking drugs and alcohol. If there is any loss of consciousness or dizziness, stop using this product.

2. **KEEP CHILDREN AWAY FROM WORK AREA.** Do not allow children to handle this product.

1. **KEEP WORK AREA CLEAN AND DRY.** Cluttered, damp or oily work areas are a safety hazard.

GENERAL SAFETY WARNINGS AND PRECAUTIONS

SPECIFICATIONS TABLE

Sizes	Inner Diameter	Outer Diameter	Length
Receiving Cup	1-3/4"	2-1/8"	1/2"
Installing Tube	1-3/4"	2-1/4"	2-3/8"
Remover / Installer	3/4"	1-7/16"	3"
Receiving Tube	2-1/4"	2-1/2"	1-1/2"
	2-1/4"	2-1/2"	3/4"
	2-1/4"	2-1/2"	2-3/4"
	2-3/4"	3"	2-1/4"
	2-7/16"	2-3/4"	2-1/4"
	2-3/8"	2-7/8"	2-7/8"
	2-3/16"	2-7/16"	3-3/16"

Applications	Compatibility	Material	Screw Plug Size	Weight
Most GM, Ford and Dodge 2 & 4 WD Pickups, Vans, and SUV's through 1997.	Use with 3-in-1 Service Kit	Forged, heat-treated and machined carbon steel	7/8" O.D. x 3" Long	12.8 Pounds

UNPACKING

When unpacking, check to make sure the parts shown on page 10 of this manual are included. If any parts are missing or broken, please call Harbor Freight Tools at the number shown at bottom of page as soon as possible.

SAVE THIS MANUAL

You will need this manual for the safety, warnings and precautions, operating, inspection, maintenance and cleaning procedures. Keep your invoice with this manual. Write the invoice number on the inside of the front cover. Keep this manual and invoice in a safe and dry place for future reference.