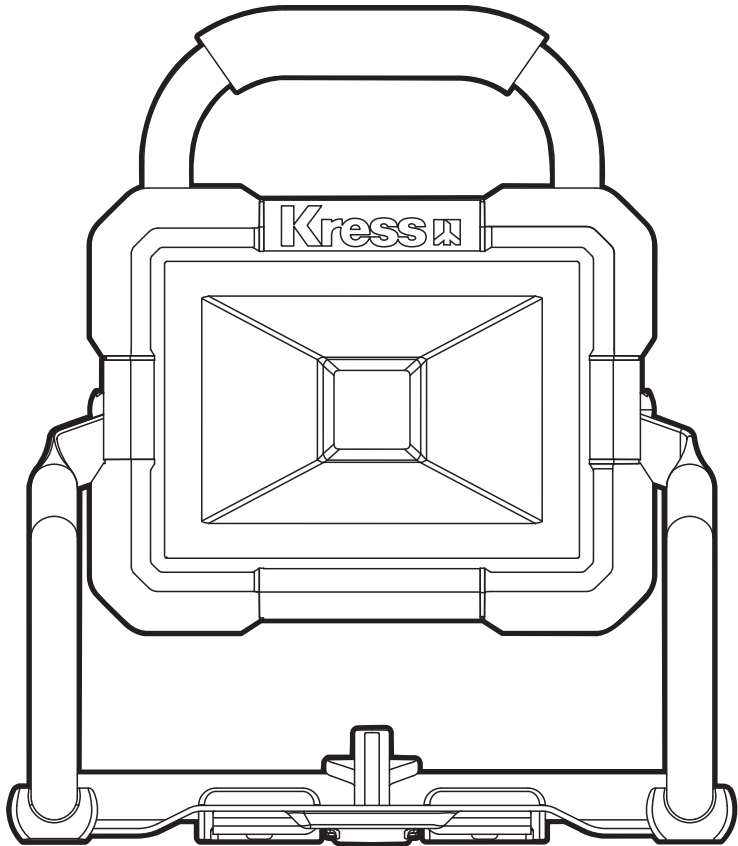


Kress



SAFETY AND OPERATING MANUAL

Lithium-Ion LED Worklight

KUF05.9



SAFETY POINTS FOR YOUR FLASHLIGHT/WORKLIGHT

SAFETY RULES FOR CORDLESS PORTABLE HAND-HELD LIGHT

CHARGE BATTERY BEFORE FIRST USE



CAUTION: Read, understand and follow all Safety Rules and Operating Instructions in this Manual before using this product.

SAVE THESE INSTRUCTIONS! READ ALL INSTRUCTIONS!

SAFETY INSTRUCTIONS



WARNING: Be sure to read and understand all instructions in this manual before using this portable hand-held light. Failure to follow all instructions may result in electric shock, fire and/or serious personal injury.

- 1. Know your cordless portable hand-held light. Read operator's manual carefully.** Learn its applications and limitations, as well as the specific potential hazards related to this light.
- 2. Use only recommended battery pack and charging stand / transformer.**
Any attempt to use another battery pack will cause damage to the portable hand-held light and could possibly explode, cause a fire, or personal injury.
- 3. Remove battery pack from portable hand-held light before performing any routine maintenance or cleaning.**
- 4. Do not disassemble the portable hand-held light.**
- 5. Do not place portable hand-held light or battery pack near fire or heat. They may explode. Also, do not dispose of a worn out battery pack by incineration, even if it is severely damaged or completely worn out. The battery may explode in fire.**
- 6. Do not operate portable hand-held light or charging stand/transformer near flammable liquids or in gaseous or explosive atmospheres. Internal sparks may ignite fumes.**
- 7. To reduce the risk of electric shock, do not put portable hand-held light in water or other liquid. Do not place or store portable hand-held light where it can fall or be pulled into a tub or sink.**
- 8. Do not permit children to use portable hand-held light unsupervised. It is not a toy. The temperature of the bulb will become hot after being on only a short period of time. This hot temperature can cause burn injury if touched.**
- 9. DO NOT USE OR PERMIT USE OF PORTABLE HAND-HELD LIGHT IN BED OR SLEEPING BAGS.** This portable hand-held light lens can melt fabric and a burn injury could result.

- 10. Keep light dry, clean, and free from oil and grease. Always use a clean cloth when cleaning. Never use brake fluid, gasoline, petroleum-base products or any strong solvent to clean the portable hand-held light.**
- 11. The light source of this luminaire is not replaceable; when the light source reaches its end of life the whole luminaire shall be replaced.**

SAFETY WARNINGS FOR BATTERY PACK

- Do not dismantle, open or shred cells or battery pack.**
- Do not short-circuit a battery pack. Do not store battery packs haphazardly in a box or drawer where they may short-circuit each other or be short-circuited by conductive materials.** When battery pack is not in use, keep it away from other metal objects, like paper clips, coins, keys, nails, screws or other small metal objects, that can make a connection from one terminal to another. Shorting the battery terminals together may cause burns or a fire.
- Do not expose battery pack to heat or fire. Avoid storage in direct sunlight.**
- Do not subject battery pack to mechanical shock.**
- In the event of battery leaking, do not allow the liquid to come into contact with the skin or eyes. If contact has been made, wash the affected area with copious amounts of water and seek medical advice.**
- Keep battery pack clean and dry.**
- Wipe the battery pack terminals with a clean dry cloth if they become dirty.**
- Battery pack needs to be charged before use. Always refer to this instruction and use the correct charging procedure.**
- Do not maintain battery pack on charge when not in use.**
- After extended periods of storage, it may be necessary to charge and discharge the battery pack several times to obtain maximum performance.**
- Recharge only with the charger specified by Kress. Do not use any charger other than that specifically provided for use with the equipment.**
- Do not use any battery pack which is not designed for use with the equipment.**

- m) **Keep battery pack out of the reach of children.**
- n) **Retain the original product literature for future reference.**
- o) **Remove the battery from the equipment when not in use.**
- p) **Dispose of properly.**
- q) **Do not mix cells of different manufacture, capacity, size or type within a device.**
- r) **Keep the battery away from microwaves and high pressure.**



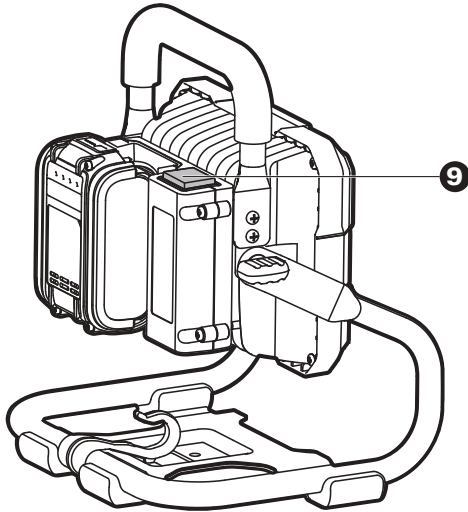
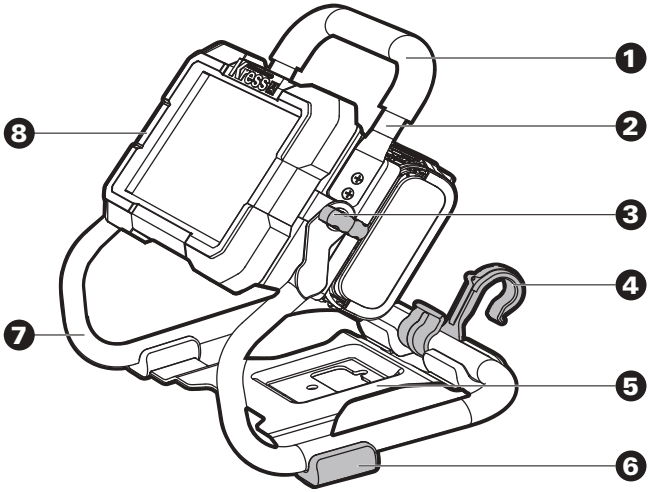
RCM marking

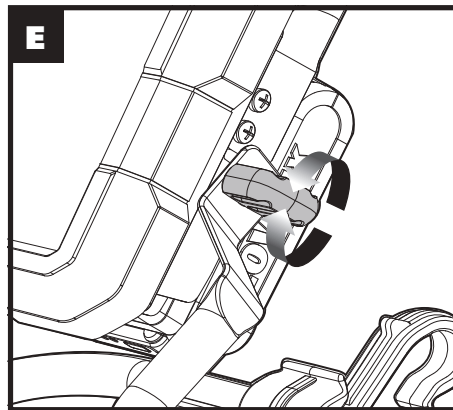
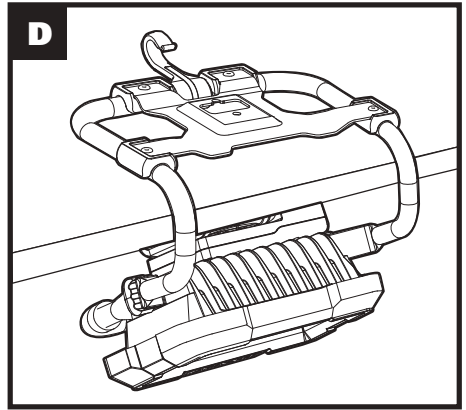
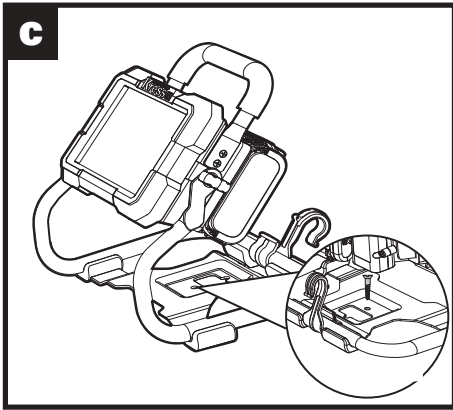
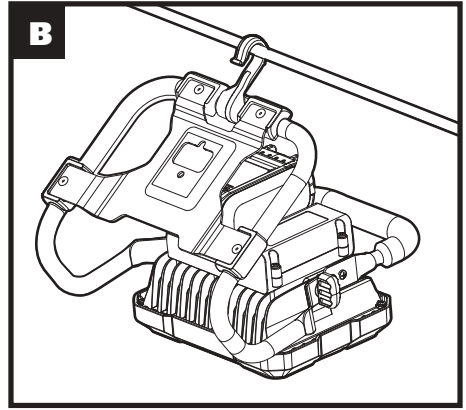
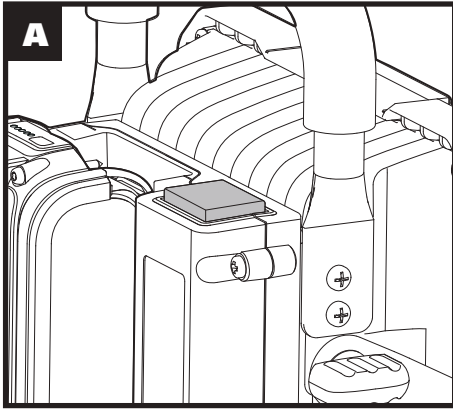
ABN: Australian Business Number. By this number, business information such as entity type, status, business location etc. can be found at website <http://abr.business.gov.au>. ABN of Positec Australia Pty Limited is 14 101 682 357

SYMBOL

	<p>To reduce the risk of injury, user must read instruction manual.</p>
	<p>Batteries may enter water cycle if disposed improperly, which can be hazardous for ecosystem. Do not dispose of waste batteries as unsorted municipal waste.</p>
	<p>Do not burn</p>
	<p>Li-Ion battery. This product has been marked with a symbol relating to 'separate collection' for all battery packs and battery pack. It will then be recycled or dismantled in order to reduce the impact on the environment. Battery packs can be hazardous for the environment and for human health since they contain hazardous substances.</p>
	<p>Class III</p>
	<p>Replace any cracked protective shield</p>
	<p>Do not stare at the operating light source</p>
	<p>The box is recyclable at the kerbside.</p>

4





COMPONENT LIST

1. HANDLE SLEEVE
2. HANDLE
3. ADJUSTING KNOB
4. HOOK
5. BRACKET SEAT
6. RUBBER PAD
7. BRACKET
8. FRONT COVER
9. ON / OFF SWITCH

Not all the accessories illustrated or described are included in standard delivery.

TECHNICAL DATA



KUF05.9	
Rated Voltage	20V $\overline{\text{---}}$ Max*
Lumen	I: 750LM; II: 1500LM
The rated maximum ambient temperature (t _a)	40°C
Machine weight	2.0kg


*Voltage measured without workload. Initial battery voltage reaches maximum of 20 volts. Nominal voltage is 18 volts.

OPERATING INSTRUCTIONS



NOTE: Before using the tool, read the instruction book carefully.

Action	Figure
OPERATION	
<p>Starting & Stopping To start your light just depress on/off switch marked "I". To stop your light just depress the on/off switch marked "O".</p> <p> Warning! Do not direct the light beam into your eyes.</p>	See Fig. A
<p>Placing the light  Warning! Ensure the work light is securely placed to prevent falling object hazard.</p>	

Using the hook to hang the light  Warning! Do not hang the work light on any electrical power cord!	See Fig. B
Using the bracket to set the light Add: You may use a screw to secure the work light in place.	See Fig. C
Using the bracket to hang the light	See Fig. D
Adjustable head	
The work light head can be set in a variety of positions. To switch base positions, rotate the adjusting knob to loosen the light. Adjust head to desired position, tighten the adjusting knob. Caution! Do not place hands or fingers between adjustable head and bracket when positioning work light to avoid any hazard!	See Fig. E

MAINTENANCE

Your tool requires no additional lubrication or maintenance. There are no user serviceable parts in your tool. Never use water or chemical cleaners to clean your tool. Wipe clean with a dry cloth. Always store your tool in a dry place.

ENVIRONMENTAL PROTECTION



Disposal

The machine, its accessories and packaging materials should be sorted for environmentally friendly recycling.

The plastic components are labeled for categorized recycling.

Positec Australia Pty Limited
10 Corporate Blvd Bayswater, VIC 3153, Australia

Kress 