

Mehrzylinder Dieselmotoren Y4100-Serie

Wassergekühlte, Direkteinspritzende 3-/4-Zylinder Reihen-Dieselmotoren

Explosionszeichnungen Ersatzteilverzeichnis

DE Y1311 Stand November 2013

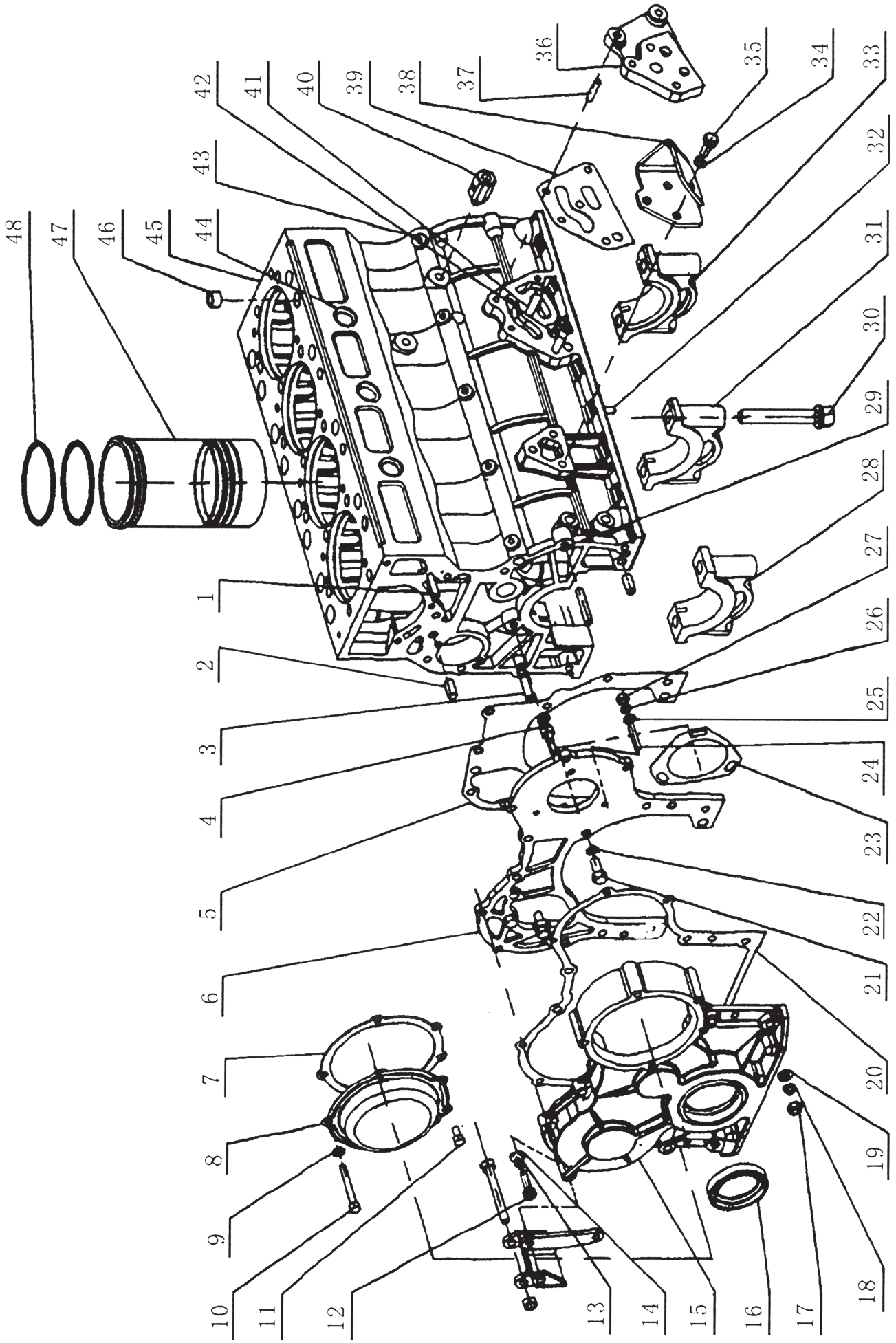
Gültig für:

Kurzbezeichnung	Modell	Art.Nr.
Y4100	ED4W4R-3707-15U	-
	ED4W4R-3707-30U	MOT147
Y4102	ED4W4R-3857-15U	-
	ED4W4R-3857-30U	MOT151
Y4102ZLD	ED4W4RT-3857-15U	-
Y4105	ED4W4R-4085-15U	-
	ED4W4R-4085-30U	-
Y4105ZLD	ED4W4RT-4085-15U	-

Inhaltsverzeichnis

1. Kurbelgehäuse Teil 1	4
2. Kurbelgehäuse Teil 2	6
3. Zylinderkopf	8
4. Kolben und Pleuel	10
5. Kurbelwelle und Schwung	11
6. Nockenwelle	12
7. Ventiltrieb	13
8. Zahnräder - Timing	14
9. Krümmer (Einlass - Auslass)	15
10. Ölwanne	16
11. Schmiersystem	17
12. Wasserpumpe und Lüfter	18
13. Thermostatkopf	19
14. Elektrik	20
15. Schalldämpfer	21
16. Treibstoffsystem	22

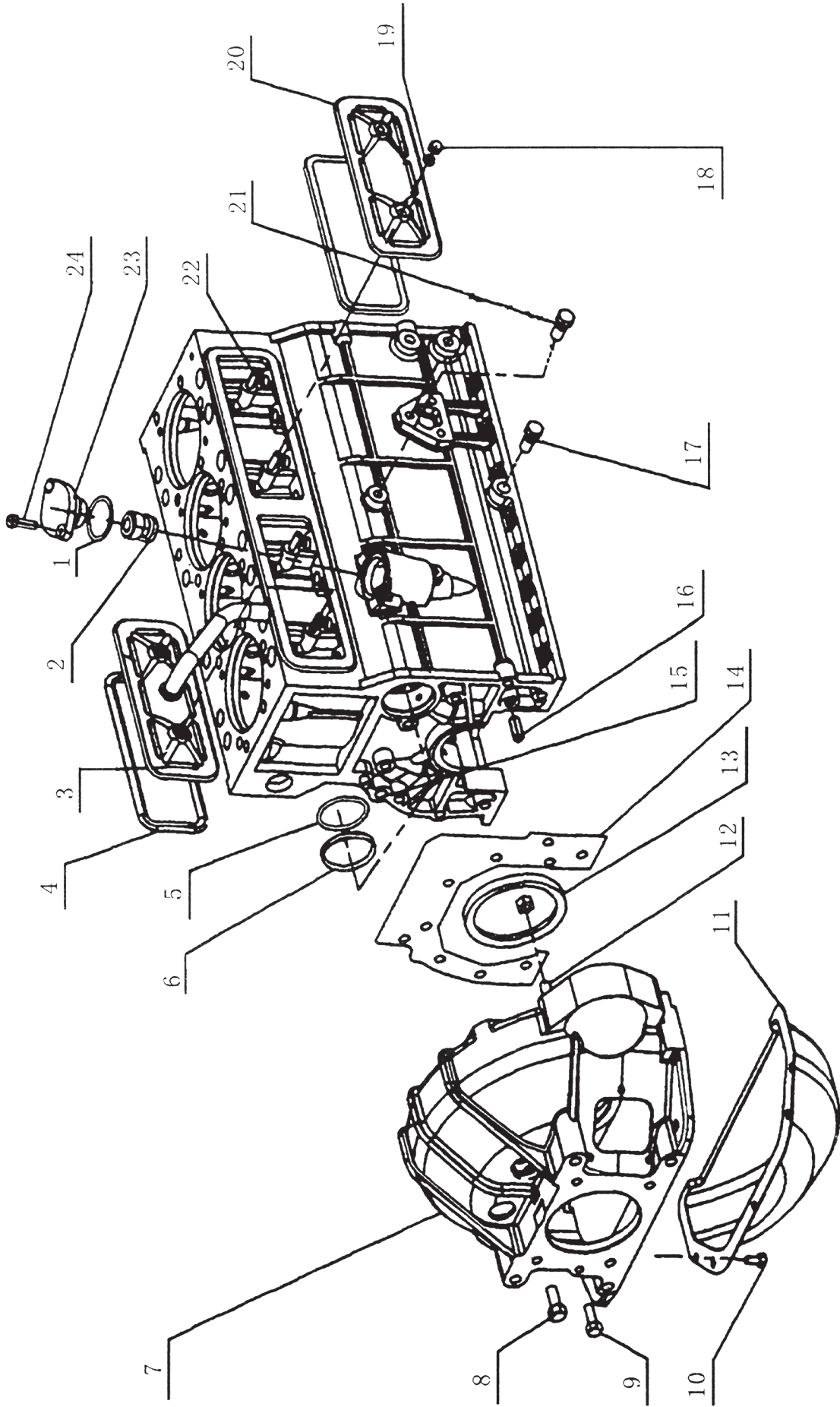
1. Kurbelgehäuse Teil 1



Nr.	Parts Nr.	Description	Qty
1	GB898-76	Stud AM8 x 70	4
2	GB119-86	Dowel pin A12 x 25	2
3	GB898-76	Stud AM10 x 45	5
4	Y4100Q-01011	Jet	1
5	Y4100Q-01001	Gasket, gear case to block	1
6	Y4100Q-02001	Gear case	1
7	Y4100Q-02016	Gasket, automatic injection timer cover	1
8	Y4100Q-02017	Cover, automatic injection timer	1
9	GB97-76	Washer 8	3
10	GB21-76	Bolt M8 x 65	3
11	GB5782-86	Bolt M8 x 16	2
12	GB21-76	Bolt M8 x 30	3
13	GB93-87	Spring washer 8	8
14	GB97-76	Washer 8	8
15	Y4100Q-02013	Cover, gear case	1
16	HG4-692-67	Oil seal PG55 x 80 x 12	1
17	GB6170-86	Hexagon nut M10	5
18	GB93-87	Spring washer 10	5
19	GB97-76	Washer 10	5
20	Y4100Q-02014	Gasket, cover to gear case	1
21	GB5783-86	Bolt M10 x 25	3
22	GB93-87	Spring washer 10	3
23	Y4100Q-02002	Gasket, fuel injection pump	1
24	GB897-88	Stud AM10 x 30	3
25	GB93-87	Spring washer 10	1
26	GB97-76	Washer 10	3
27	GB6170-86	Nut M10	17
28	Y4100-01112	Main bearing cap (I), front for Y4100-series	1
	Y4102-01112	Main bearing cap (I), front for Y4102-series	
	Y4105-01112	Main bearing cap (I), front for Y4105-series	
29	Y4100Q-01101	Plug D15	1
30	Y4100Q-01115	Stud, main bearing cap	10
31	Y4100-01113	Main bearing cap (II, III, IV), middle for Y4100-series	3
	Y4102-01113	Main bearing cap (II, III, IV), middle for Y4102-series	
	Y4105-01113	Main bearing cap (II, III, IV), middle for Y4105-series	
32	GB898-88	Stud, AM8 x 16	2

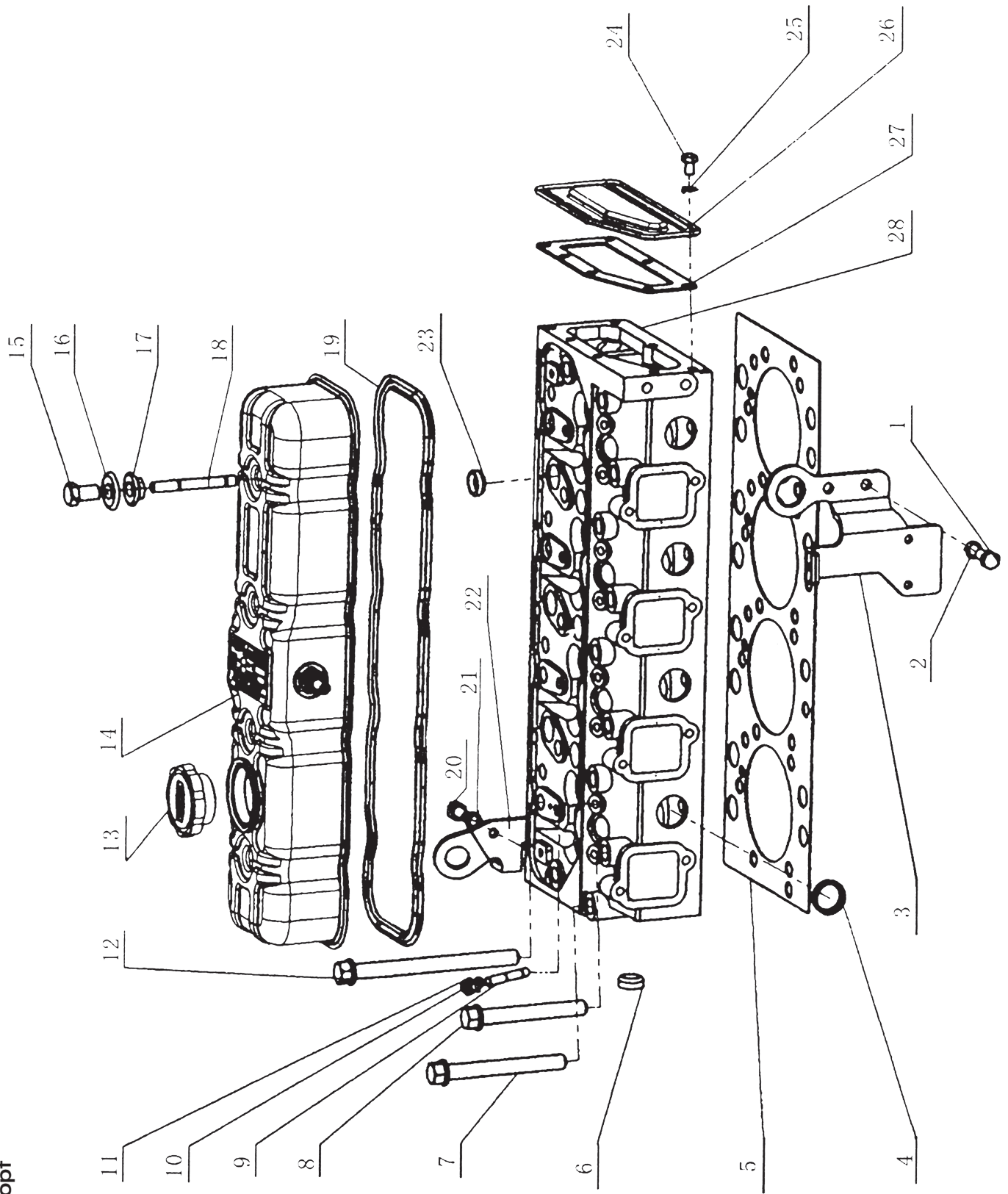
Nr.	Parts Nr.	Description	Qty
33	Y4100-01114	Main bearing cap (V), rear for Y4100-series	1
	Y4102-01114	Main bearing cap (V), rear for Y4102-series	
	Y4105-01114	Main bearing cap (V), rear for Y4105-series	
34	GB93-87	Spring washer 10	29
35	GB21-76	Bolt M10 x 25	3
36	Y4100Q-09001	Connecting plate, oil filter	1
37	GB898-88	Stud AM8 x 30	3
38	Y4100Q-01012	Front engine bracket (right)	1
39	Y4100Q-01004	Gasket, oil filter connecting plate	1
40	YSA480Q-5-01500	Adapter, oil pressure transducer and alarmer	1
41	GB898-88	Stud AM10 x 25	2
42	GB898-88	Stud AM10 x 75	2
43	Y4100Q-01103	Plug D6,7	6
44	Y480G-01104	Plug D32	4
45	Y4100-01111	Cylinder block for Y4100-series	1
	Y4102-01111	Cylinder block for Y4102-series	
	Y4105-01111	Cylinder block for Y4105-series	
46	Y4100Q-01102	Dowel bush	2
47	Y4100-01003	Cylinder liner for Y4100-series	4
	Y4102-01003	Cylinder liner for Y4102-series	
	Y4105-01003	Cylinder liner for Y4105-series	
48	Y4100-01010	Seal ring, cylinder liner for Y4100-series	8
	Y4102-01010	Seal ring, cylinder liner for Y4102-series	
	Y4105-01010	Seal ring, cylinder liner for Y4105-series	

2. Kurbelgehäuse Teil 2



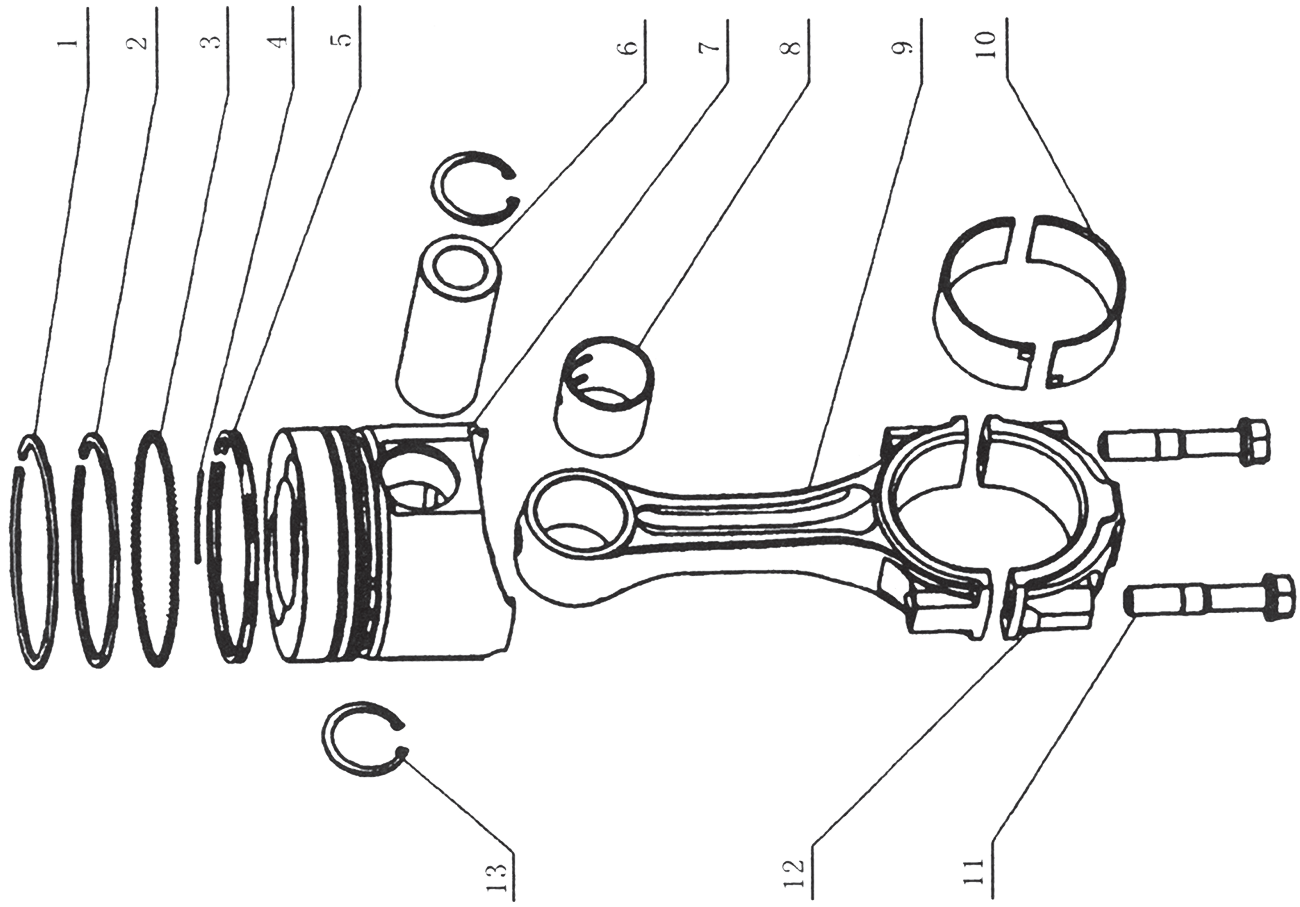
Nr.	Parts Nr.	Description	Qty
1	Y4100Q-09004	Gasket	1
2	Y4100Q-01023	Bush, oil pump drive gear shaft	1
3	Y4100Q-01200	Side cover, rear and breather assy	1
4	Y4100Q-01014	Gasket, side cover	2
5	GB3452.1-92	O-Ring 56 x 3.55G	1
6	Y4100Q-01101	Plug	1
7	Y4100Q-16001A	Clutch housing	1
	Y4100Q-16001B	SAE housing	
8	GB21-76	Stud M12 x 32	n.B.
9	GB21-76	Bolt M10 x 30	n.B.
10	GB21-76	Bolt M8 x 16	n.B.
11	Y4100Q-16002	Lower cover, clutch housing	1
12	GB898-88	Stud AM12 x 25	4
13	GB9877.1-88	Seal felt rear end cranks hagt FB100 x 125 x 12F	1
14	Y4100Q-01009	Gasket, clutch housing (not equipped if SAE housing)	1
15	YSD490Q-01105a	Plug D15	1
16	GB119-86	Dowel pin A12 x 30	2
17	GB3541-83	Bolt M16 x 1.5	3
18	GB923-88	Cap Nut M8	4
19	JB982-77	Washer 8	8
20	Y4100Q-01013	Side cover, front	1
21	GB3541-83	Bolt M10 x 1	3
22	GB898-88	Stud AM8 x 28	4
23	Y4100Q-09005	Cover	1
24	GB21-76	Stud M8 x 25	2

3. Zylinderkopf



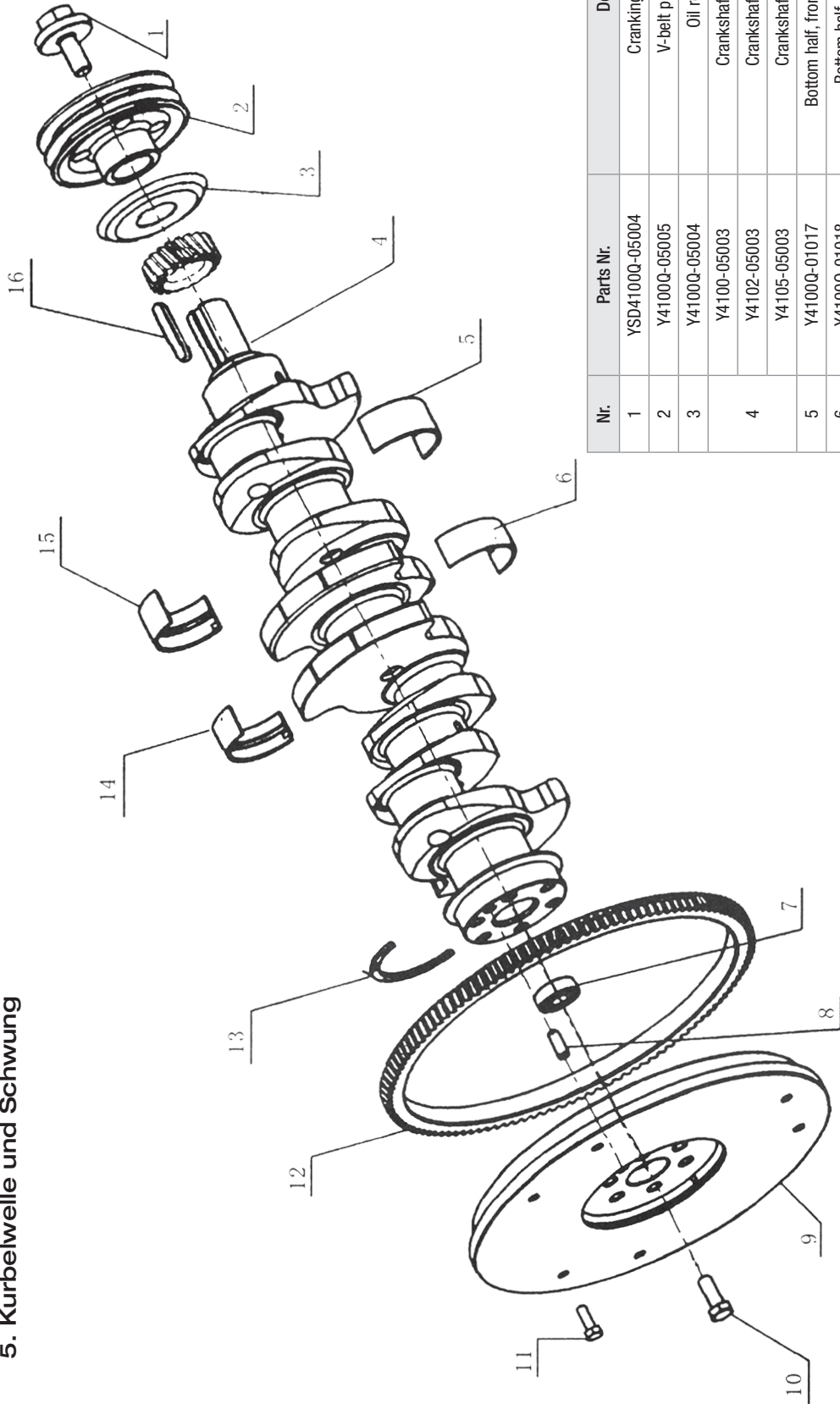
Nr.	Parts Nr.	Description	Qty
1	GB5783-86	Bolt M10 x 25	2
2	GB93-87	Spring washer 10	2
3	Y4100Q-03012	Eye plate, rear	1
4	Y4100Q-01104	Plug D32	4
5	Y4100-01002	Gasket, cylinder head for Y4100-series	1
	Y4102-01002	Gasket, cylinder head for Y4102-series	
	Y4105-01002	Gasket, cylinder head for Y4105-series	
6	Y4100Q-01103	Plug D24	1
7	Y4100Q-01006	Bolt (I) cylinder head	10
8	Y4100Q-01005	Bolt (III) cylinder head	4
9	GB5783-86	Stud M8 x 40	8
10	GB93-87	Spring washer 8	8
11	GB6170-86	Hexagon nut M8	19
12	Y4100Q-01007	Bolt (I) cylinder head	4
13	Y4100Q-03002	Oil filter cap assy	1
14	Y4100-03300	Cylinder head cover assy for Y4100-series	1
	Y4102-03300	Cylinder head cover assy for Y4102-series	
	Y4105-03300	Cylinder head cover assy for Y4105-series	
15	Y4100Q-03020	Nut, cylinder head cover	4
16	Y4100Q-03021	Gasket	4
17	Y4100Q-03022	Seal cartridge	4
18	Y4100Q-03019	Stud	4
19	Y4100-03005	Gasket, cylinder head cover for Y4100-series	1
	Y4102-03005	Gasket, cylinder head cover for Y4102-series	
	Y4105-03005	Gasket, cylinder head cover for Y4105-series	
20	GB5783-86	Bolt M10 x 25	2
21	GB93-87	Spring washer 10	2
22	Y4100Q-03001	Eye plate, front	1
23	Y4100Q-01103	Plug D24	3
24	GB21-76	Bolt M8 x 16	7
25	GB93-87	Spring washer 8	7
26	Y4100Q-03011	Rear cover, cylinder head	1
27	Y4100Q-03010	Gasket, rear cover	1
28	Y4100-03101	Cylinder head for Y4100-series	1
	Y4102-03101	Cylinder head for Y4102-series	
	Y4105-03101	Cylinder head for Y4105-series	

4. Kolben und Pleuel



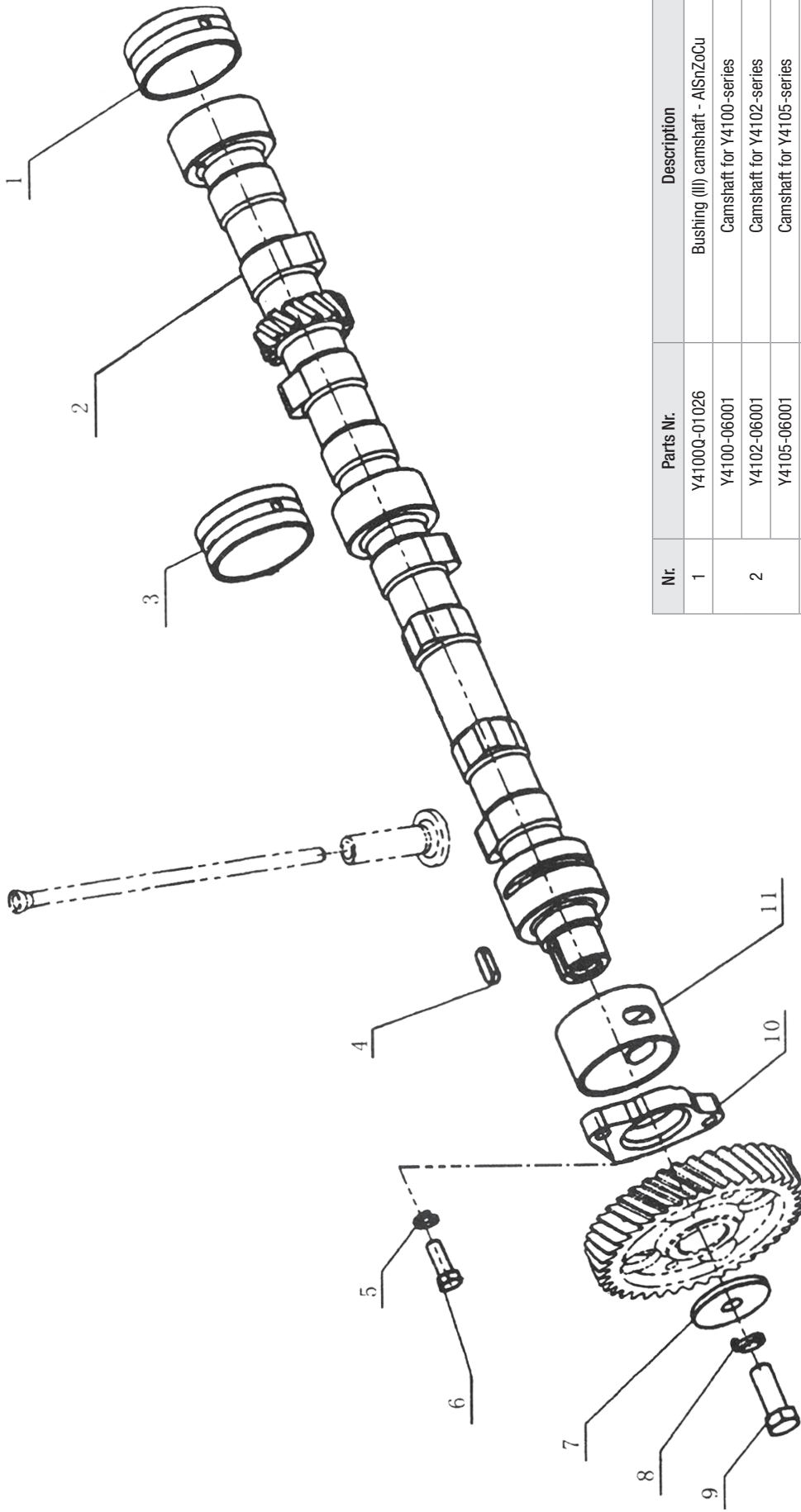
Nr.	Parts Nr.	Description	Qty
1-5	Y4100-04001	Piston ring assy. for Y4100-series	4
	Y4102-04001	Piston ring assy. for Y4102-series	
	Y4105-04001	Piston ring assy. for Y4105-series	
6	Y4100Q-04004	Piston pin	4
7	Y4100-04005	Piston for Y4100-series	4
	Y4102-04005	Piston for Y4102-series	
	Y4105-04005	Piston for Y4105-series	
8	Y4100Q-04201	Bushing, connecting rod	4
9/12	Y4100-04202	Connecting rod assy. for Y4100-series	4
	Y4102-04202	Connecting rod assy. for Y4102-series	
	Y4105-04202	Connecting rod assy. for Y4105-series	
10	Y4100Q-04003	Bearing, connecting rod	8
11	Y4100Q-04204	Bolt, connecting rod	8
13	GB893.1-86	Circlip for hole 35	8

5. Kurbelwelle und Schwung



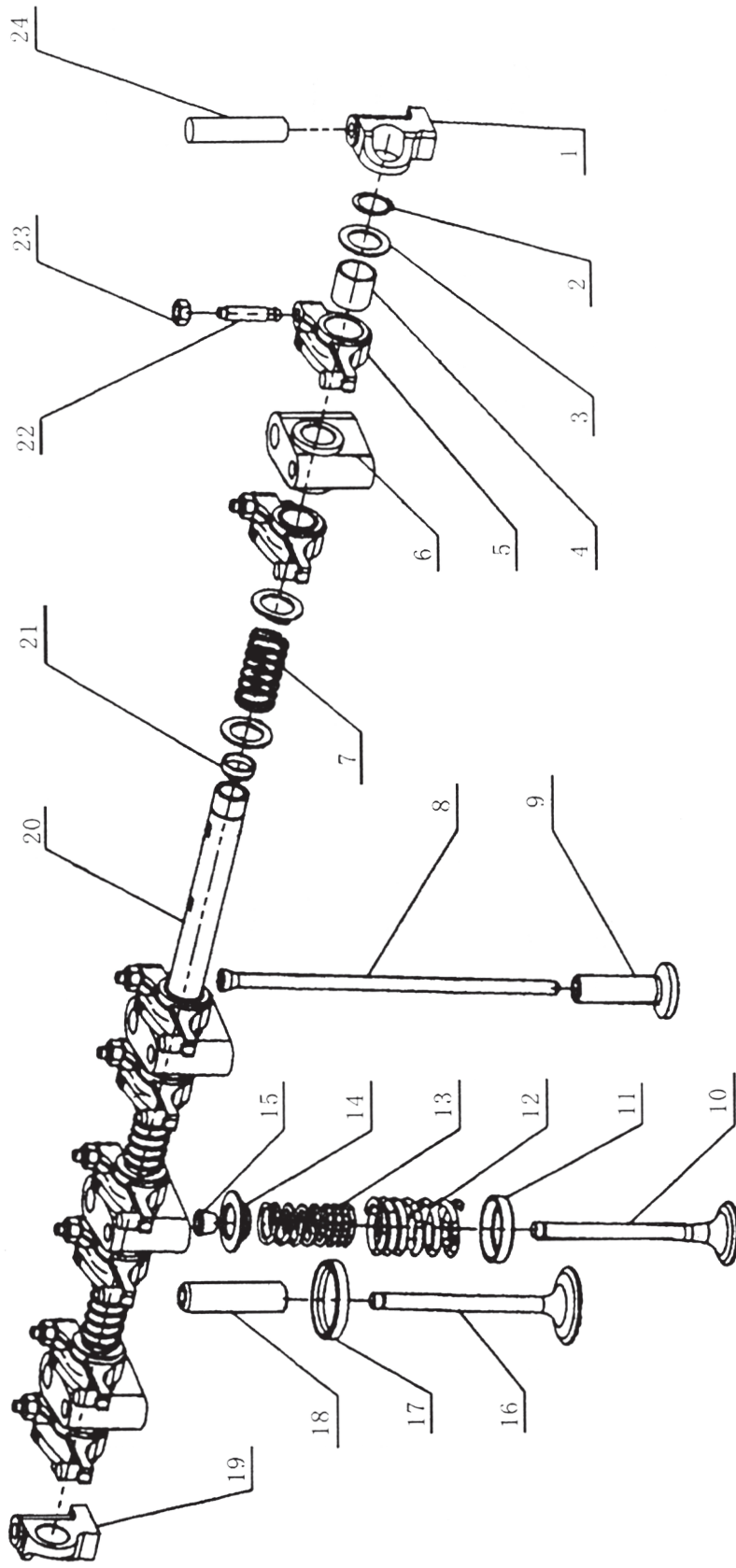
Nr.	Parts Nr.	Description	Qty
1	YSD4100Q-05004	Cranking jaw crankshaft	1
2	Y4100Q-05005	V-belt pulley, crankshaft	1
3	Y4100Q-05004	Oil retainer, front	1
4	Y4100-05003	Crankshaft for Y4100-series	1
	Y4102-05003	Crankshaft for Y4102-series	
	Y4105-05003	Crankshaft for Y4105-series	
5	Y4100Q-01017	Bottom half, front and rear main bearing	2
6	Y4100Q-01018	Bottom half, middle main bearing	2
7	GB/T276-94	Ball bearing 6203-Z	1
8	GB119-86	Dowel pin B10 x 24	1
9	Y4100Q-05101	Flywheel	1
10	Y4100Q-05002	Bolt, flywheel	6
11	Y480Q-60-18001a	Set screw press, press clutch	6
12	Y4100Q-05102	Ring gear	1
13	Y4100Q-01008	Thrust plate	4
14	Y4100Q-01016	Top half, middle main bearing	3
15	Y4100Q-01015	Top half, front and rear main bearing	2
16	GB1096-76	Key A10 x 60	1

6. Nockenwelle



Nr.	Parts Nr.	Description	Qty
1	Y4100Q-01026	Bushing (II) camshaft - AlSnZnCu	1
2	Y4100-06001	Camshaft for Y4100-series	1
	Y4102-06001	Camshaft for Y4102-series	
	Y4105-06001	Camshaft for Y4105-series	
3	Y4100Q-01025	Bushing (II) camshaft - ZQSn6	1
4	GB1096-76	Key A8 x 22	1
5	GB93-87	Spring washer 8	2
6	GB21-76	Bolt M8 x 25	2
7	YSD490Q-02012	Baffle, idler gear	1
8	GB93-87	Spring washer 12	1
9	GB5783-86	Bolt M12 x 32	1
10	Y4100Q-02010	Thrust plate, camshaft	1
11	Y4100Q-01024	Bushing (I) camshaft - AlSnZnCu	1

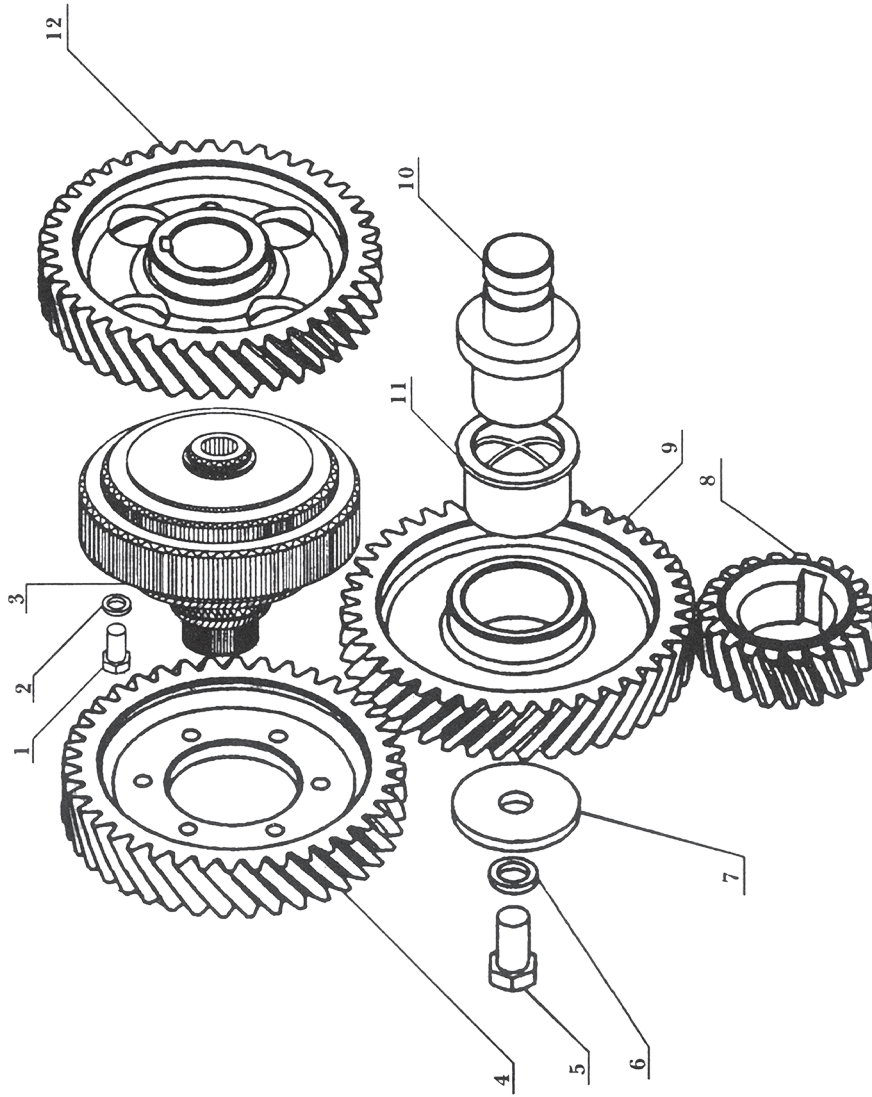
7. Ventiltrieb



Nr.	Parts Nr.	Description	Qty
1	Y4100Q-03206	Rear bracket, rocker arm shaft	1
2	GB894.2-86	Circlip, for hole 20	2
3	Y4100Q-03205	Washer	8
4	Y4100Q-03208	Bushing, rocker arm	8
5	Y4100Q-03203	Rocker arm	8
6	Y4100Q-03207	Rocker arm shaft bracket	4
7	Y4100Q-03204	Spring, rocker arm shaft	3
8	Y4100-06003	Push rod for Y4100 series	8
	Y4102-06003	Push rod for Y4102 series	
	Y4105-06003	Push rod for Y4105 series	
9	Y4100Q-06002	Tappet	8
10	Y4100Q-03015	Exhaust valve	4
11	Y4100Q-03104	Seat insert, exhaust valve	4

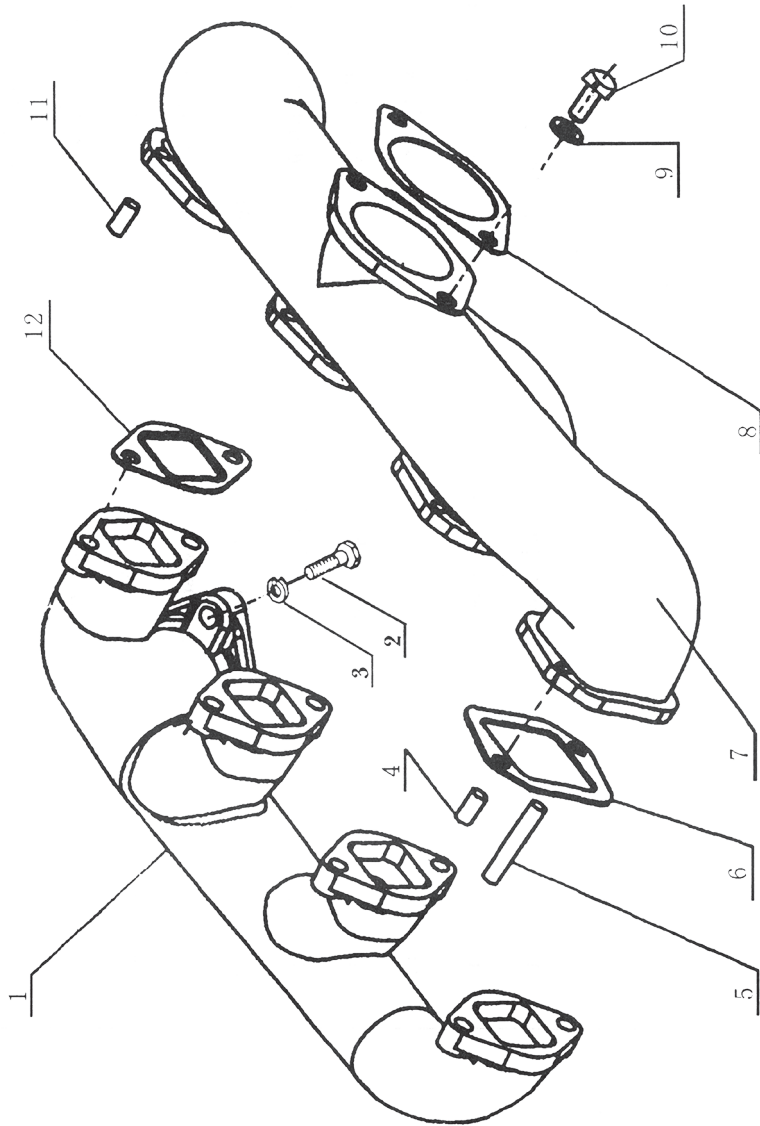
Nr.	Parts Nr.	Description	Qty
12	Y4100Q-03007	Valve spring outer	8
13	Y4100Q-03017	Valve spring inner	8
14	Y4100Q-03009	Top seat valve spring	8
15	Y4100Q-03008	Collnets, valve	16
16	Y4100Q-03014	Inlet valve	4
17	Y4100Q-03103	Seat insert, inlet valve	4
18	Y4100Q-03102	Guide valve	8
19	Y4100Q-03202	Front bracket, rocker arm shaft	1
20	Y4100Q-03211	Rocker arm shaft	1
21	Y4100Q-03212	Plug D15	2
22	Y4100Q-03201	Adjusting screw, rocker arm	8
23	GB171-86	Nut M8 x 1	8
24	GB898-88	Stud AM8 x 60	2

8. Zahnräder - Timing



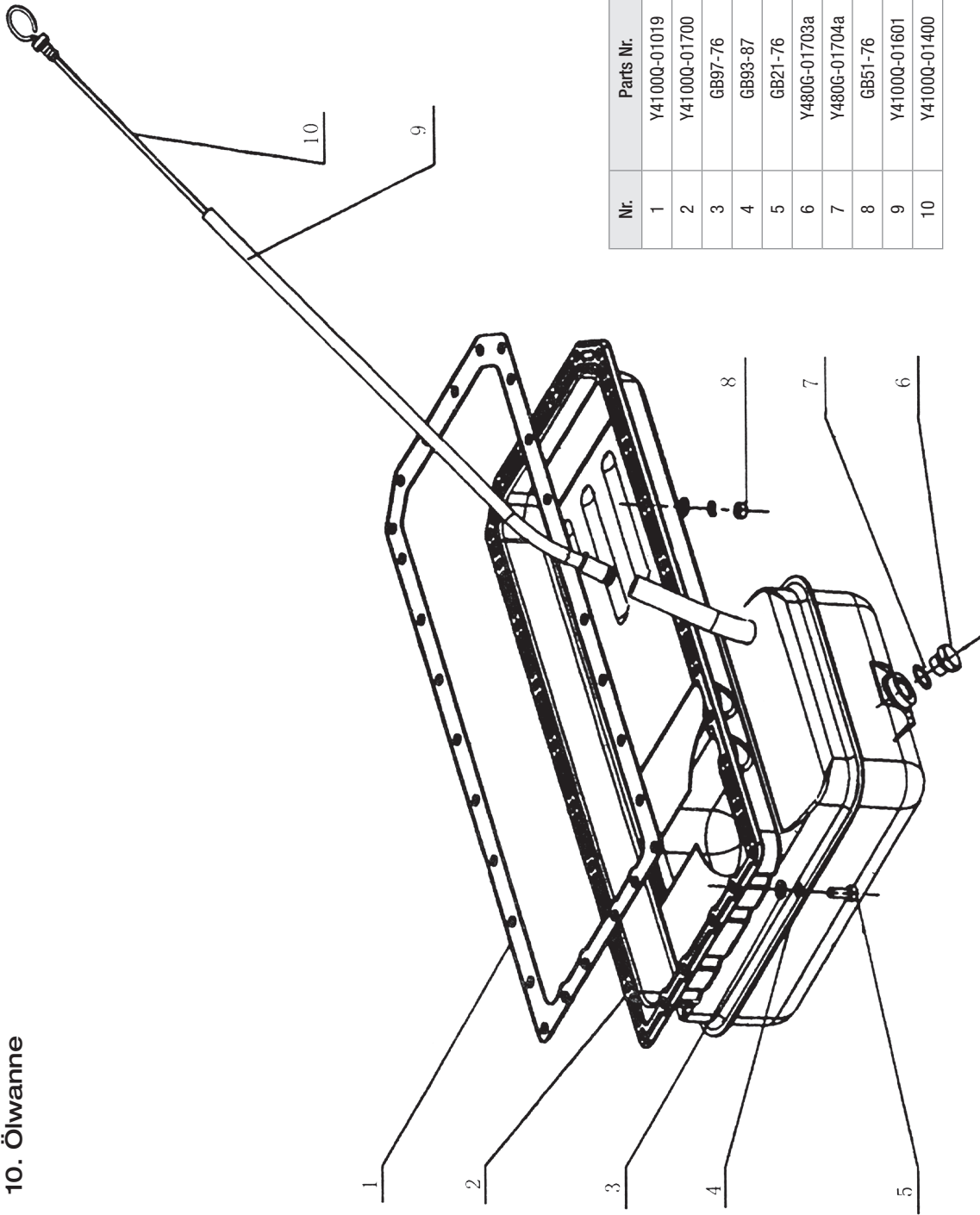
Nr.	Parts Nr.	Description	Qty
1	GB30-76	Bolt M6 x 16	6
2	GB93-87	Spring Washer 6	6
3	Y4100Q-02100	Injection - advance device	1
4	Y4100Q-02003	Fuel injection pump drive gear	1
5	GB21-76	Bolt M12 x 22	1
6	GB93-87	Spring Washer 12	1
7	YSD490Q-02012	Baffle, idle gear	1
8	Y4100Q-02009	Timing gear, crankshaft	1
9	Y4100Q-02201	Idle gear	1
10	Y4100Q-02007	Shaft, idle gear	1
11	Y4100Q-02202	Bushing, idle gear	1
12	Y4100Q-02011	Gear, camshaft	1

9. Krümmer (Einlass - Auslass)



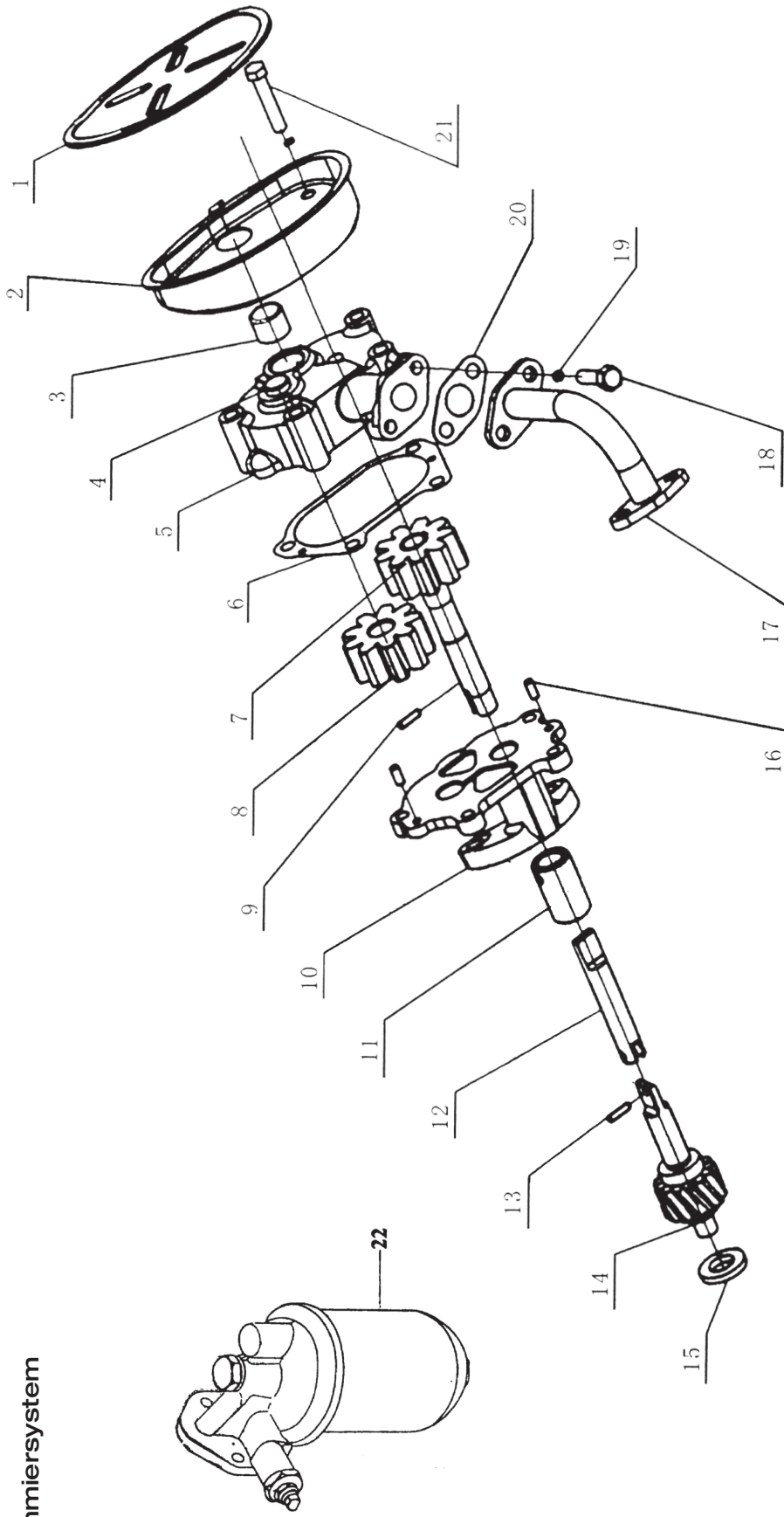
Nr.	Parts Nr.	Description	Qty
1	Y4100Q-08001	Exhaust manifold for standard engines	1
	Y4100ZLD-08001	Exhaust manifold for turbo engines	
2	GB5783-86	Bolt M10 x 25	2
3	GB93-87	Washer 10	2
4	GB898-88	Stud AM8 x 28	8
5	GB898-88	Stud AM8 x 45	4
6	Y4100Q-03002	Gasket, intake manifold	4
7	Y4100Q-07001	Intake , manifold	1
8	Y4100Q-07003	Gasket, intake connection pipe	1
9	GB97-76	Washer 8	2
10	GB21-76	Bolt 8 x 25	2
11	GB898-88	Stud AM8 x 16	4
12	Y4100Q-03006	Gasket, exhaust manifold	4

10. Ölwanne



Nr.	Parts Nr.	Description	Qty
1	Y41000-01019	Gasket, oil sump	1
2	Y41000-01700	Oil sump weld assy	1
3	GB97-76	Washer 8	29
4	GB93-87	Spring washer 8	29
5	GB21-76	Bolt M8 x 16	12
6	Y480G-01703a	Drain plug	1
7	Y480G-01704a	Copper washer 18	1
8	GB51-76	Nut M8	17
9	Y41000-01601	Dipstick tube	1
10	Y41000-01400	Dipstick assy	1

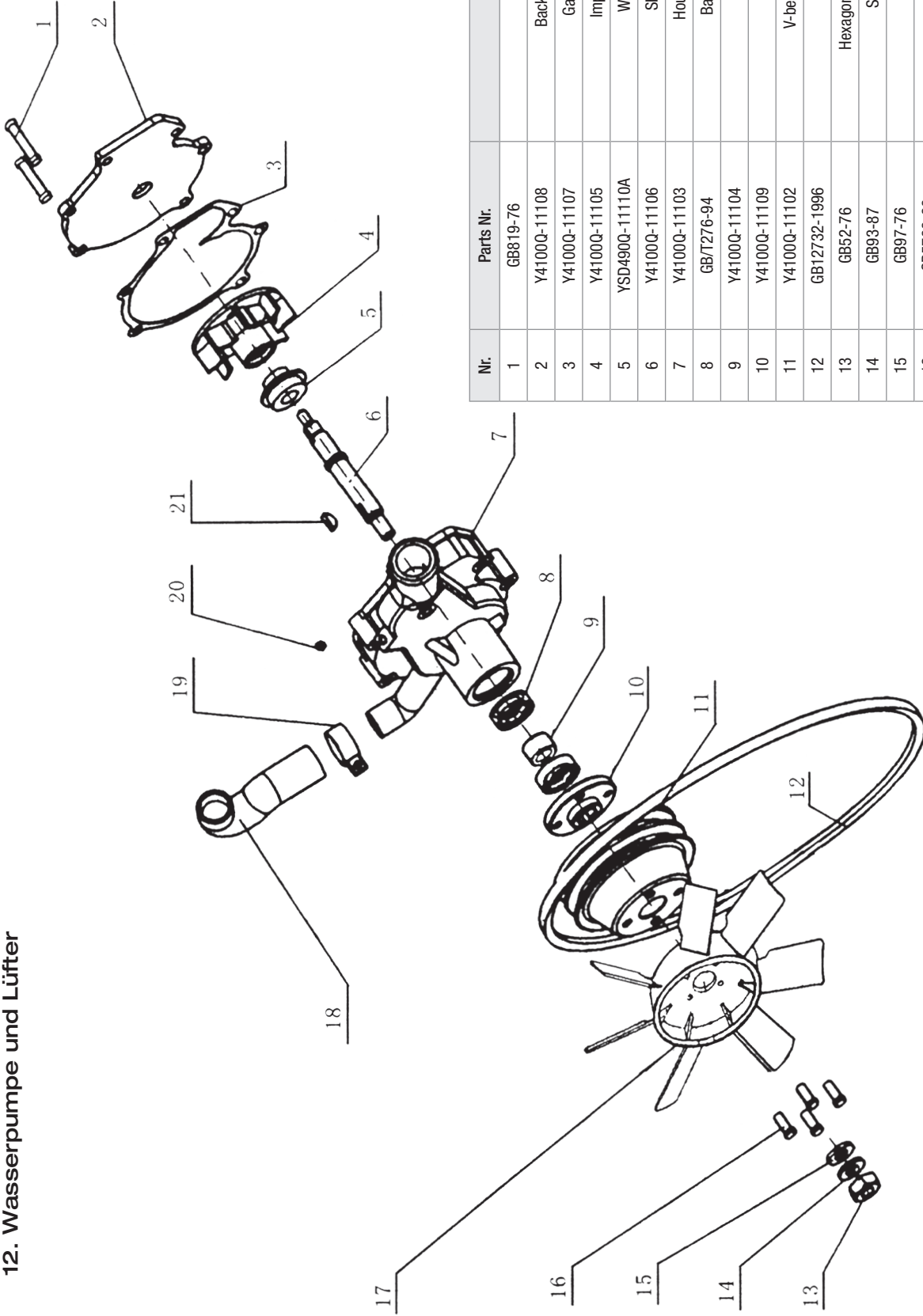
11. Schmiersystem



Nr.	Parts Nr.	Description	Qty
1	Y4100Q-09140	Screen weld assy.	1
2	Y4100Q-09103	Casing, oil collector and screen	1
3	Y4100Q-09101	Oil suction pipe	1
4	Y4100Q-09106	Shaft, driven gear	1
5	Y4100Q-09108	Pump body	1
6	Y4100Q-09104	Gasket	1
7	Y4100Q-09110	Drive shaft assy.	1
8	Y4100Q-09109	Drive gear	1
9	GB119-86	Pin A4 x 22	1
10	Y4100Q-09107	Pump cover	1
11	Y4100Q-09121	Lead sheath	1
12	Y4100Q-09122	Middle connect rod	1

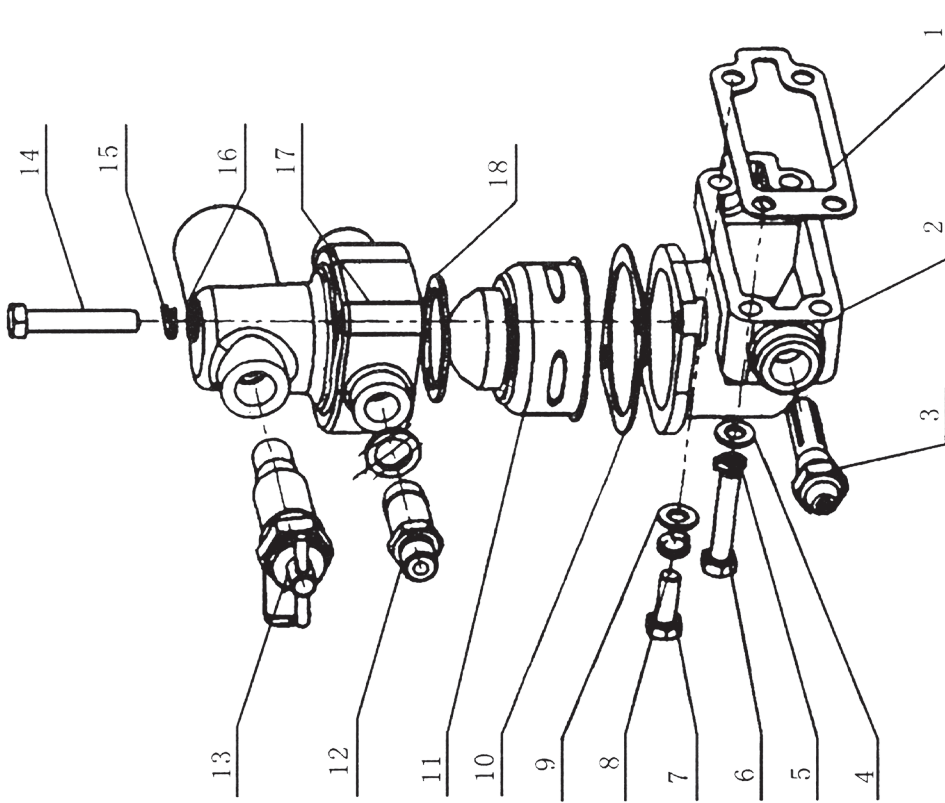
Nr.	Parts Nr.	Description	Qty
13	GB119-86	Pin B4 x 16	1
14	Y4100Q-09102	Helical gear with shaft	1
15	Y4100Q-09105	Adjusting shim	1
16	GB119-86	Pin A5 x 12	2
17	Y4100Q-09400	Oil outlet pipe assy	1
18	GB5783-86	Bolt M8 x 22	2
19	GB93-87	Spring washer 8	8
20	Y4100Q-09002	Gasket	2
21	GB5782-86	Bolt M8 x 60	4
22	Y4100Q-J1012	Oil filter element with mounting flange	1
23	Y4100ZLD-J1011	Oil cooler for turbo engines	1

12. Wasserpumpe und Lüfter



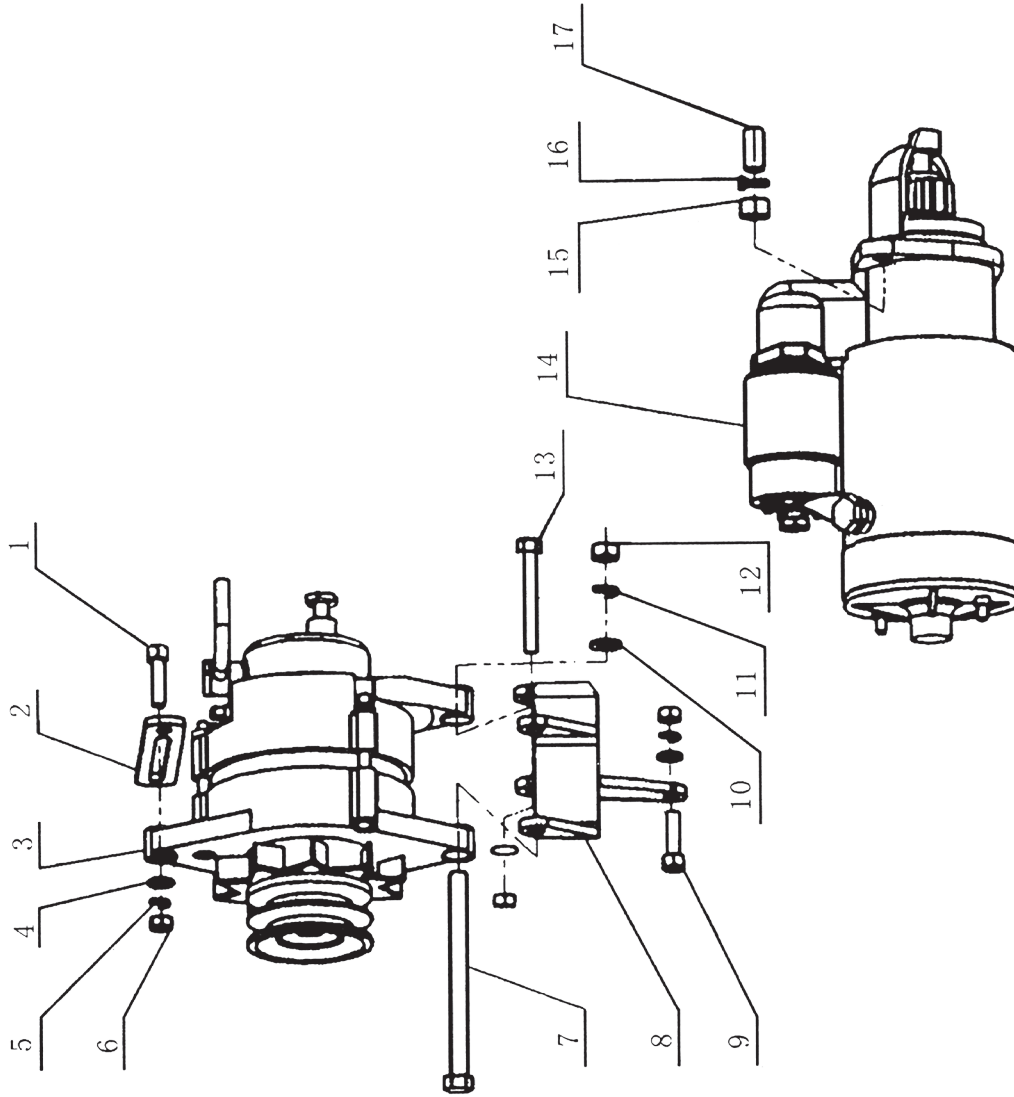
Nr.	Parts Nr.	Description	Qty
1	GB819-76	Screw M8 x 12	2
2	Y4100Q-11108	Back plate, water pump	1
3	Y4100Q-11107	Gasket, water pump	1
4	Y4100Q-11105	Impeller water pump	1
5	YSD490Q-11110A	Water sealing assy	1
6	Y4100Q-11106	Shaft, water pump	1
7	Y4100Q-11103	Housing, water pump	1
8	GB/T276-94	Ball bearing 6203-Z	2
9	Y4100Q-11104	Spacer	1
10	Y4100Q-11109	Flange	1
11	Y4100Q-11102	V-belt pulley, water pump	1
12	GB12732-1996	Fan belt	1
13	GB52-76	Hexagon water nut M12 x 1.25	1
14	GB93-87	Spring washer 12	1
15	GB97-76	Washer 12	1
16	GB5783-86	Bolt M8x18	4
17	Y4100Q-11003	Fan assy.	1
18	Y4100Q-11001	Rubber hose	1
19	GB566-83	Clamp rudder hose B31-40	2
20	GB1152-79	Grease nipple M6	1
21	GB1099-76	Woodruff key 5 x 7.5 x 19	1

13. Thermostatkopf



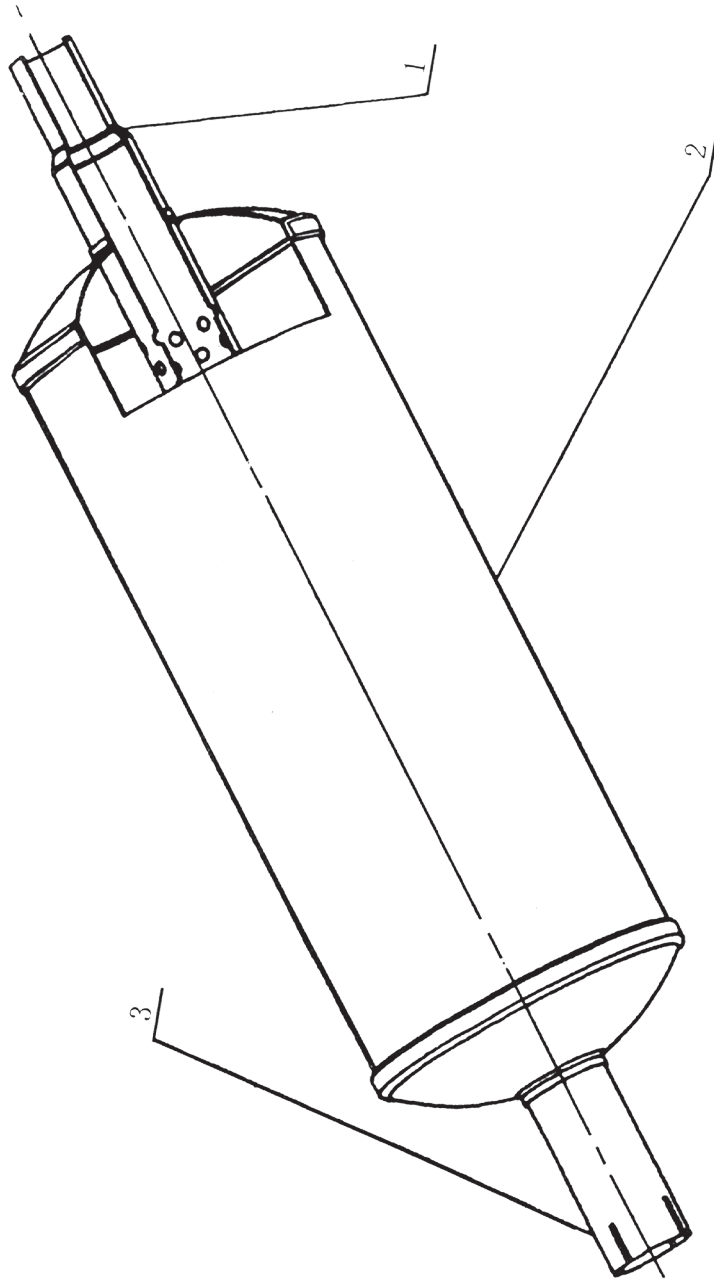
Nr.	Parts Nr.	Description	Qty
1	Y4100Q-03016	Gasket, front cover	1
2	Y4100Q-11304	Front cover, cylinder head	1
3	Y4100Q-11310	Water temperature induction plug	1
4	GB97-76	Washer 8	2
5	GB93-87	Spring washer 8	2
6	GB21-76	Bolt M8 x 45	2
7	GB21-76	Bolt M8 x 25	2
8	GB93-87	Spring washer 8	2
9	GB97-76	Washer 8	2
10	Y4100Q-11302	Gasket, thermostat cover	1
11	Y4100Q-11320	Thermostat	1
12	YSD490Q-1-01001	Adapter, bypass tube	1
13	YSD490Q-7-11410	Cock assy., bypass water	1
14	GB21-76	Bolt M8 x 50	2
15	GB97-76	Washer 8	2
16	GB93-87	Spring washer 8	1
17	Y4100Q-11301	Thermostat cover	1
18	Y4100Q-11305	Seal ring	1

14. Elektrik



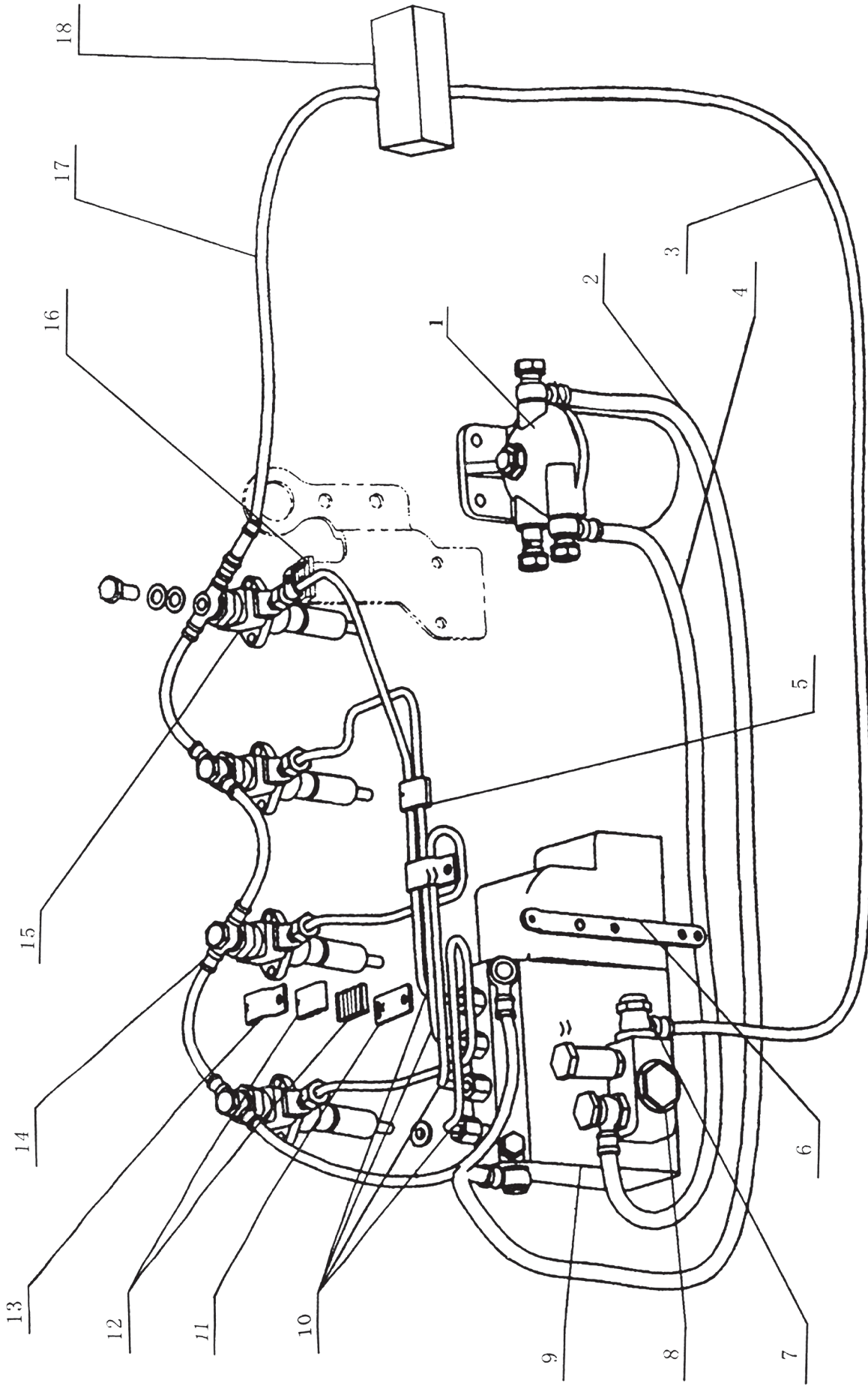
Nr.	Parts Nr.	Description	Qty
1	GB21-76	Bolt M8x25	1
2	Y4100Q-12003	Adjusting plate, generator	1
3	JF(Z)15	Generator 14V/500W	1
	JFW(Z)25	Generator 28V/500W	
4	GB97-76	Washer 8	3
5	GB93-87	Spring washer 8	3
6	GB51-76	Thin hexagon nut M8	3
7	GB21-76	Bolt M10 x 125	1
8	Y4100Q-12400	Generator bracket weld assy.	1
9	GB21-76	Bolt M8 x 45	1
10	GB97-76	Washer 10	1
11	GB93-87	Spring washer 10	1
12	GB51-76	Thin hexagon nut M10	1
13	GB21-76	Bolt M8 x 85	1
14	QDJ1326	Starter 12V/3,0kW	1
	QDJ2636	Starter 24V/4,5kW	
15	GB52-76	Thin hexagon nut M10	2
16	GB93-87	Spring Washer 12	2
17	GB898-88	Stud AM12 x 125	2

15. Schalldämpfer

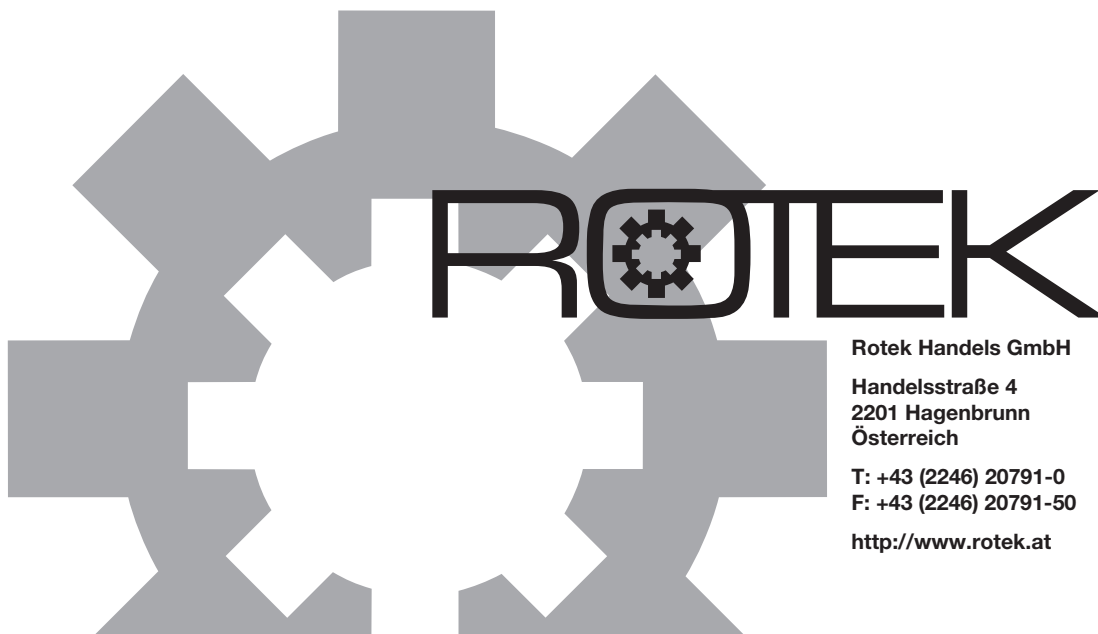


Nr.	Parts Nr.	Description	Qty
1	Y4100Q-13003	Admission pipe	1
2	Y4100Q-13100	Silencer body	1
3	Y4100Q-13001	Silencer pipe	1

16. Treibstoffsystem



Nr.	Parts Nr.	Description	Qty
1	Y4100Q-10600	Fuel filter	1
2	Y4100Q-10900	Fuel pipe (I)	1
3	-	Fuel pipe, from tank	-
4	Y4100Q-10800	Fuel pipe (II)	1
5	Y4100Q-10730	High pressure fuel pipe clamp (II)	1
6	Y4100Q-10110	Speed control lever	0-1
7	Y4100Q-10001	Fuel inlet adaptor	1
8	Y4100Q-10150	Fuel transfer pump	1
9	Y4100Q-10100	Standard Fuel injection pump	1
	Y4100Q-10120	Fuel injection pump with DPG100 actuator	1
10	Y4100Q-10200	High pressure fuel pipe assy.	1
11-13	Y4100Q-10710	High pressure fuel pipe clamp (I)	2
14	Y4100Q-10400	Fuel injector leak pipe assy	1
15	Y4100Q-10300	Fuel injector	4
16	Y4100Q-10003	High pressure fuel pipe clamp (III)	1
17	-	Fuel leak pipe, to tank	-
18	-	Fuel tank	-



Rotek Handels GmbH

**Handelsstraße 4
2201 Hagenbrunn
Österreich**

**T: +43 (2246) 20791-0
F: +43 (2246) 20791-50**

<http://www.rotek.at>
