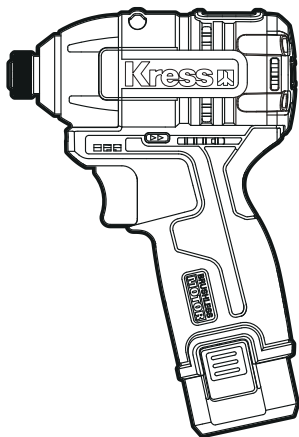


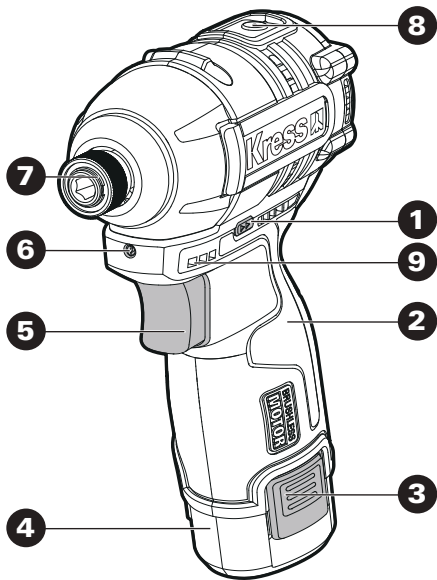
Kress

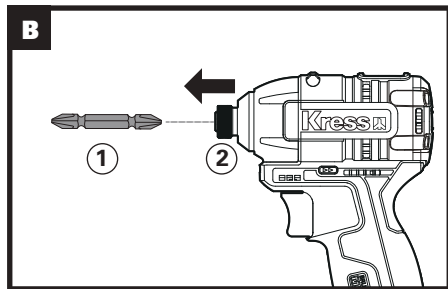
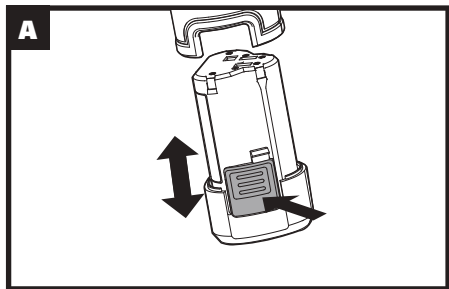


KUB50.2

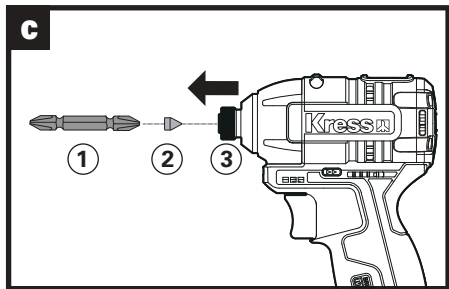
Lithium-Ion brushless impact driver	EN	P05
Bürstenloser Lithium-Ionen Schlagschrauber	DE	P14
Tournevis à choc sans balais avec batterie au Lithium	FR	P24
Avvitatore a impulsi brushless agli ioni di litio	IT	P34
Atornillador de impacto sin escobillas con batería de ion-litio	ES	P44
Aparafusadora de impacto com motor sem escovas a bateria de iões de lítio	PT	P54
Lithium-ion borstelloze slagschroevendraaier	NL	P64
Литий-ионная аккумуляторная ударная дрель-шуруповёрт	RU	P74
Bezszcotkowa wkrętarka udarowa z bateria litowo-jonowa	PL	P85

KUB50.2





► 1. Driver bits 2. Socket



► 1. Driver bits 2. Driver bit element
3. Socket

ORIGINAL INSTRUCTIONS
PRODUCT SAFETY
GENERAL POWER TOOL SAFETY WARNINGS



WARNING Read all safety warnings, instructions, illustrations and specifications provided with this power tool. Failure to follow all instructions listed below may result in electric shock, fire and/or serious injury.

Save all warnings and instructions for future reference.

The term "power tool" in the warnings refers to your mains-operated (corded) power tool or battery-operated (cordless) power tool.

1) Work area safety

- a) **Keep work area clean and well lit.** Cluttered or dark areas invite accidents.
- b) **Do not operate power tools in explosive atmospheres, such as in the presence of flammable liquids, gases or dust.** Power tools create sparks which may ignite the dust or fumes.
- c) **Keep children and bystanders away while operating a power tool.** Distractions can cause you to lose control.

2) Electrical safety

- a) **Power tool plugs must match the outlet. Never modify the plug in any way. Do not use any adapter plugs with earthed (grounded) power tools.** Unmodified plugs and matching outlets will reduce risk of electric shock.
- b) **Avoid body contact with earthed or grounded surfaces, such as pipes, radiators, ranges and**

refrigerators. There is an increased risk of electric shock if your body is earthed or grounded.

- c) **Do not expose power tools to rain or wet conditions.** Water entering a power tool will increase the risk of electric shock.
 - d) **Do not abuse the cord. Never use the cord for carrying, pulling or unplugging the power tool. Keep cord away from heat, oil, sharp edges or moving parts.** Damaged or entangled cords increase the risk of electric shock.
 - e) **When operating a power tool outdoors, use an extension cord suitable for outdoor use.** Use of a cord suitable for outdoor use reduces the risk of electric shock.
 - f) **If operating a power tool in a damp location is unavoidable, use a residual current device (RCD) protected supply.** Use of an RCD reduces the risk of electric shock.
- 3) Personal safety**
- a) **Stay alert, watch what you are doing and use common sense when operating a power tool. Do not use a power tool while you are tired or under the influence of drugs, alcohol or medication.** A moment of inattention while operating power tools may result in serious personal injury.
 - b) **Use personal protective equipment. Always wear eye protection.** Protective equipment such as dust mask, non-skid safety shoes, hard hat, or hearing protection used for appropriate conditions will reduce personal injuries.
 - c) **Prevent unintentional starting. Ensure the switch is in the off-position before connecting to power source and/or battery pack, picking up or carrying the tool.** Carrying power tools with your

finger on the switch or energising power tools that have the switch on invites accidents.

- d) **Remove any adjusting key or wrench before turning the power tool on.** A wrench or a key left attached to a rotating part of the power tool may result in personal injury.
- e) **Do not overreach. Keep proper footing and balance at all times.** This enables better control of the power tool in unexpected situations.
- f) **Dress properly. Do not wear loose clothing or jewellery. Keep your hair and clothing away from moving parts.** Loose clothes, jewellery or long hair can be caught in moving parts.
- g) **If devices are provided for the connection of dust extraction and collection facilities, ensure these are connected and properly used.** Use of dust collection can reduce dust-related hazards.
- h) **Do not let familiarity gained from frequent use of tools allow you to become complacent and ignore tool safety principles.** A careless action can cause severe injury within a fraction of a second.

4) Power tool use and care

- a) **Do not force the power tool. Use the correct power tool for your application.** The correct power tool will do the job better and safer at the rate for which it was designed.
- b) **Do not use the power tool if the switch does not turn it on and off.** Any power tool that cannot be controlled with the switch is dangerous and must be repaired.
- c) **Disconnect the plug from the power source and/or remove the battery pack, if detachable, from the power tool before making any adjustments, changing accessories, or storing power tools.**

Such preventive safety measures reduce the risk of starting the power tool accidentally.

- d) **Store idle power tools out of the reach of children and do not allow persons unfamiliar with the power tool or these instructions to operate the power tool.** Power tools are dangerous in the hands of untrained users.
 - e) **Maintain power tools and accessories. Check for misalignment or binding of moving parts, breakage of parts and any other condition that may affect the power tool's operation.** If damaged, have the power tool repaired before use. Many accidents are caused by poorly maintained power tools.
 - f) **Keep cutting tools sharp and clean.** Properly maintained cutting tools with sharp cutting edges are less likely to bind and are easier to control.
 - g) **Use the power tool, accessories and tool bits etc. in accordance with these instructions, taking into account the working conditions and the work to be performed.** Use of the power tool for operations different from those intended could result in a hazardous situation.
 - h) **Keep handles and grasping surfaces dry, clean and free from oil and grease.** Slippery handles and grasping surfaces do not allow for safe handling and control of the tool in unexpected situations.
- #### 5) Battery tool use and care
- a) **Recharge only with the charger specified by the manufacturer.** A charger that is suitable for one type of battery pack may create a risk of fire when used with another battery pack.

- b) Use power tools only with specifically designated battery packs.** *Use of any other battery packs may create a risk of injury and fire.*
- c) When battery pack is not in use, keep it away from other metal objects, like paper clips, coins, keys, nails, screws or other small metal objects, that can make a connection from one terminal to another.** *Shorting the battery terminals together may cause burns or a fire.*
- d) Under abusive conditions, liquid may be ejected from the battery; avoid contact. If contact accidentally occurs, flush with water. If liquid contacts eyes, additionally seek medical help.** *Liquid ejected from the battery may cause irritation or burns.*
- e) Do not use a battery pack or tool that is damaged or modified.** *Damaged or modified batteries may exhibit unpredictable behaviour resulting in fire, explosion or risk of injury.*
- f) Do not expose a battery pack or tool to fire or excessive temperature.** *Exposure to fire or temperature above 130 °C may cause explosion.*
- g) Follow all charging instructions and do not charge the battery pack or tool outside the temperature range specified in the instructions.** *Charging improperly or at temperatures outside the specified range may damage the battery and increase the risk of fire.*
- 6) Service**
- a) Have your power tool serviced by a qualified repair person using only identical replacement parts.** *This will ensure that the safety of the power tool is maintained.*

- b) Never service damaged battery packs.** *Service of battery packs should only be performed by the manufacturer or authorized service providers.*

SCREWDRIVER SAFETY WARNING

- 1. Hold the power tool by insulated gripping surfaces, when performing an operation where the fastener may contact hidden wiring.** *Fasteners contacting a "live" wire may make exposed metal parts of the power tool "live" and could give the operator an electric shock.*

SAFETY WARNINGS FOR BATTERY PACK





- a) Do not dismantle, open or shred cells or battery pack.**
- b) Do not short-circuit a battery pack. Do not store battery packs haphazardly in a box or drawer where they may short-circuit each other or be short-circuited by conductive materials.** *When battery pack is not in use, keep it away from other metal objects, like paper clips, coins, keys, nails, screws or other small metal objects, that can make a connection from one terminal to another. Shorting the battery terminals together may cause burns or a fire.*
- c) Do not expose battery pack to heat or fire. Avoid storage in direct sunlight.**
- d) Do not subject battery pack to mechanical shock.**
- e) In the event of battery leaking, do not allow the liquid to come into contact with the skin or eyes. If contact has been made, wash the affected area with copious amounts of water and seek medical advice.**

EN

7

- f) **Keep battery pack clean and dry.**
- g) **Wipe the battery pack terminals with a clean dry cloth if they become dirty.**
- h) **Battery pack needs to be charged before use. Always refer to this instruction and use the correct charging procedure.**
- i) **Do not maintain battery pack on charge when not in use.**
- j) **After extended periods of storage, it may be necessary to charge and discharge the battery pack several times to obtain maximum performance.**
- k) **Recharge only with the charger specified by Kress. Do not use any charger other than that specifically provided for use with the equipment.**
- l) **Do not use any battery pack which is not designed for use with the equipment.**
- m) **Keep battery pack out of the reach of children.**
- n) **Retain the original product literature for future reference.**
- o) **Remove the battery from the equipment when not in use.**
- p) **Dispose of properly.**
- q) **Do not mix cells of different manufacture, capacity, size or type within a device.**
- r) **Keep the battery away from microwaves and high pressure.**

SYMBOLS

	To reduce the risk of injury, user must read instruction manual
	Warning
	Wear ear protection
	Wear eye protection
	Wear dust mask
	Do not burn



Batteries may enter water cycle if disposed improperly, which can be hazardous for ecosystem. Do not dispose of waste batteries as unsorted municipal waste.



Li-Ion battery This product has been marked with a symbol relating to 'separate collection' for all battery packs and battery pack. It will then be recycled or dismantled in order to reduce the impact on the environment. Battery packs can be hazardous for the environment and for human health since they contain hazardous substances.



Waste electrical products must not be disposed of with household waste. Please recycle where facilities




COMPONENT LIST

- 1. FORWARD, REVERSE ROTATION AND LOCK CONTROL**
- 2. SOFT GRIP HANDLE**
- 3. BATTERY PACK LATCH**
- 4. BATTERY PACK ***
- 5. ON/OFF SWITCH WITH VARIABLE SPEED CONTROL**
- 6. LED LIGHT**
- 7. COLLET LOCKING SLEEVE**
- 8. ELECTRONIC SPEED CONTROL KNOB**
- 9. POWER INDICATOR**

*** Not all the accessories illustrated or described are included in standard delivery.**

TECHNICAL DATA

	KUB50.2
Rated voltage	12V  Max**
Rated no load speed	0-3300/min

Impact rate	0-1600/0-3500/0-4000bpm
Max torque	140Nm
Chuck capability	6.35mm
Machine Weight	0.88kg

NOISE INFORMATION

A weighted sound pressure $L_{pA} = 78,0 \text{ dB(A)}$

A weighted sound power $L_{wA} = 89,0 \text{ dB(A)}$

K_{pA} & K_{wA} 3dB(A)

Wear ear protection.

WEAR EAR PROTECTION

Vibration total values (triax vector sum) determined according to EN 62841:

Vibration emission value	$a_n = 4,728 \text{ m/s}^2$
	Uncertainty K = 1,5m/s ²

The declared vibration total value and the declared noise emission value have been measured in accordance with a standard test method and may be used for comparing one tool with another.

The declared vibration total value and the declared noise emission value may also be used in a preliminary assessment of exposure.



WARNING: The vibration and noise emissions during actual use of the power tool can differ from the declared value depending on the ways in which the tool is used especially what kind of workpiece is processed dependant on the following examples and other variations on how the tool is used:

How the tool is used and the materials being cut or drilled.

The tool being in good condition and well maintained.

The use of the correct accessory for the tool and ensuring it is sharp and in good condition.

The tightness of the grip on the handles and if any anti vibration and noise accessories are used.

And the tool is being used as intended by its design and these instructions.

This tool may cause hand-arm vibration syndrome if its use is not adequately managed.



WARNING: To be accurate, an estimation of exposure level in the actual conditions of use should also take account of all parts of the operating cycle such as the times when the tool is switched off and when it is running idle but not actually doing the job. This may significantly reduce the exposure level over the total working period.

Helping to minimise your vibration and noise exposure risk. Always use sharp chisels, drills and blades.

Maintain this tool in accordance with these instructions and keep well lubricated (where appropriate).

If the tool is to be used regularly then invest in anti vibration and noise accessories.

Plan your work schedule to spread any high vibration tool use across a number of days.

ACCESSORIES

	KUB50.2
2.0Ah lithium battery pack(KPB1202)	2
Charger (KCH1202)	1
Driver bits	1
Driver bit element	1

We recommend that you purchase your accessories from the same store that sold you the tool. Choose the type according to the work you intend to undertake. Refer to the accessory packaging for further details. Store personnel can assist you and offer advice.

OPERATING INSTRUCTIONS



NOTE: Before using the tool, read the instruction book carefully.

Intended use:

This tool is intended for the fastening and loosening of bolts, nuts and various threaded fasteners.

BEFORE PUTTING INTO OPERATION

A) BATTERY CHARGING

The battery charger supplied is matched to the Li-ion battery installed in the machine. Do not use another battery charger.

The Li-ion battery is protected against deep discharging.

When the battery is empty, the machine is switched off by means of a protective circuit: The chuck no longer rotates.

In a warm environment or after heavy use, the battery pack may become too hot to permit charging. Allow time for the battery to cool down before recharging.

When the battery is charged for the first time and after prolonged storage, the battery will only accept approximately 60% charge. However, after several charge and discharge cycles the battery will accept a 100% charge.

B) TO REMOVE OR INSTALL BATTERY PACK (SEE A)

Depress the battery pack release button to release and slide the Battery Pack (4) out from your tool. After recharge, slide it back into your tool. A simple push and slight pressure will be sufficient.

OPERATION

1.HOW TO INSTALL AND REMOVE A SCREWDRIVER BIT AND SOCKET

TO INSTALL BITS:

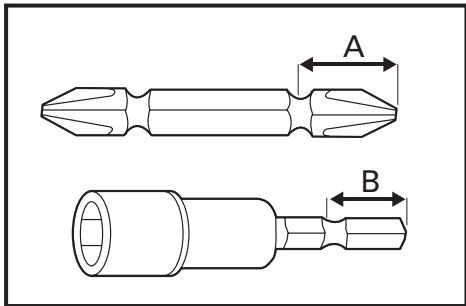
A). When installing the screwdriver bit, pull the socket in the direction of the arrow and insert the screwdriver bit all the way to the bottom of the socket. Then, release the socket to lock the screwdriver bit. (See Fig. B)

B). When installing the screwdriver bit, pull the socket in the direction of the arrow and insert the screwdriver bit element and the screwdriver bit all the way to the bottom of the socket. Then, release the socket to lock the screwdriver bit.(See Fig. C)

Note: Use only the screwdriver bits with the illustrated inserts

For tools with a deep hole for screwdriver bits

A=17mm B=14mm	When using this type of screwdriver bits, follow the installation steps shown in Fig. B.
A=12mm B=9mm	When using this type of screwdriver bits, follow the installation steps shown in Fig. C. Note: Screwdriver bit element is required.



To remove bits:

When removing the screwdriver bit, pull the socket in the direction of the arrow shown in Fig. B/C and pull the screwdriver bit out.

2. SWITCH LOCK

A completely new electromagnetic directional technique is used for the switch lock, which is more reliable than the mechanical directional structure; the power supply of machine will be completely cut off when the shift lever is in the middle position, and the machine will not start when forcibly pressing the button; This function is helpful to prevent the machine from accidental startup when it is not in use.

3. REVERSIBLE

For drilling and screw driving use forward rotation marked “◀◀” (lever is moved to the left). Only use reverse rotation marked “▶▶” (lever is moved to the right) to remove screws or release a jammed drill bit.

Warning: Never change the direction of rotation when the chuck is rotating, wait until it has stopped!

4. LED LIGHT (6)

To turn on the light simply press the On/Off Switch (5). When you release the On/Off Switch, the light will be off. LED lighting increases visibility-great for dark or enclosed area. It will flash when power gets low.

5. ELECTRONIC SPEED CONTROL KNOB (8)

The speed can not be adjusted during the running of machine if the electronic speed control knob is locked.

MAINTENANCE

Your power tool requires no additional lubrication or maintenance.

There are no user serviceable parts in your power tool. Never use water or chemical cleaners to clean your power tool.

Wipe clean with a dry cloth. Always store your power tool in a dry place. Keep the motor ventilation slots clean. Keep all working controls free of dust. Occasionally you may see sparks through the ventilation slots. This is normal and will not damage your power tool.

FOR BATTERY TOOLS

The ambient temperature range for the use and storage of tool and battery is 0°C-45°C.

The recommended ambient temperature range for the charging system during charging is 0°C-40°C.

ENVIRONMENTAL PROTECTION



Disposal

The machine, its accessories and packaging materials should be sorted for environmentally friendly recycling. The plastic components are labeled for categorized recycling.

DECLARATION OF CONFORMITY

We,
Positec Germany GmbH
Postfach 32 02 16, 50796 Cologne, Germany

Declare that the product
Description **Lithium-Ion brushless impact driver**
Type **KUB50.2 (B50-designation of machinery, representative of screwdriver)**
Function **Tightening and loosening screws, nuts**

Complies with the following Directives:

2006/42/EC
2011/65/EU&(EU)2015/863
2014/30/EU

Standards conform to

EN 55014-1
EN 55014-2
EN 62841-1
EN 62841-2-2

The person authorized to compile the technical file,

Name Marcel Filz
Address Positec Germany GmbH
Postfach 32 02 16, 50796 Cologne, Germany



2022/03/11
Allen Ding
Deputy Chief Engineer, Testing & Certification
Positec Technology (China) Co., Ltd
18, Dongwang Road, Suzhou Industrial
Park, Jiangsu 215123, P. R. China

**ORIGINALBETRIEBSANLEITUNG
PRODUKTSICHERHEIT
ALLGEMEINE SICHERHEITSHINWEISE FÜR
ELEKTROWERKZEUGE**



WARNUNG! Machen Sie sich mit allen Sicherheitswarnungen, Anweisungen, Abbildungen und Spezifikationen vertraut, die mit diesem Elektrowerkzeug geliefert werden.

Die Nichtbeachtung der unten aufgeführten Anweisungen kann in elektrischen Schlägen, Feuer und/oder schweren Verletzungen resultieren.

Bewahren Sie alle Sicherheitshinweise und Anweisungen für die Zukunft auf.

Der in den Sicherheitshinweisen verwendete Begriff „Elektrowerkzeug“ bezieht sich auf akkubetriebene Elektrowerkzeuge (ohne Netzkabel).

1) Arbeitsplatzsicherheit

- a) **Halten Sie Ihren Arbeitsbereich sauber und gut beleuchtet.** *Unordnung oder unbeleuchtete Arbeitsbereiche können zu Unfällen führen.*
- b) **Arbeiten Sie mit dem Elektrowerkzeug nicht in explosionsgefährdeter Umgebung, in der sich brennbare Flüssigkeiten, Gase oder Stäube befinden.** *Elektrowerkzeuge erzeugen Funken, die den Staub oder die Dämpfe entzünden können.*
- c) **Halten Sie Kinder und andere Personen während der Benutzung des Elektrowerkzeugs fern.** *Bei Ablenkung können Sie die Kontrolle über das Gerät verlieren.*

2) Elektrische Sicherheit

- a) **Der Anschlussstecker des Elektrowerkzeuges**

muss in die Steckdose passen. Der Stecker darf in keiner Weise verändert werden.

Verwenden Sie keine Adapterstecker gemeinsam mit Schutzgeerdeten

Elektrowerkzeugen. *Unveränderte Stecker und passende Steckdosen verringern das Risiko eines elektrischen Schlages.*

- b) **Vermeiden Sie Körperkontakt mit geerdeten Oberflächen wie von Rohren, Heizungen, Herden und Kühlschränken.** *Es besteht ein erhöhtes Risiko durch elektrischen Schlag, wenn Ihr Körper geerdet ist.*
- c) **Halten Sie Elektrowerkzeuge von Regen oder Nässe fern.** *Das Eindringen von Wasser in ein Elektrowerkzeug erhöht das Risiko eines elektrischen Schlages.*
- d) **Zweckentfremden Sie das Kabel nicht, um das Elektrowerkzeug zu tragen, aufzuhängen oder um den Stecker aus der Steckdose zu ziehen.** *Halten Sie das Kabel fern von Hitze, Öl, scharfen Kanten oder sich bewegenden Geräteteilen.* *Beschädigte oder verwickelte Kabel erhöhen das Risiko eines elektrischen Schlages.*
- e) **Wenn Sie mit einem Elektrowerkzeug im Freien arbeiten, verwenden Sie nur Verlängerungskabel, die auch für den Außenbereich geeignet sind.** *Die Anwendung eines für den Außenbereich geeigneten Verlängerungskabels verringert das Risiko eines elektrischen Schlages.*
- f) **Wenn der Betrieb des Elektrowerkzeuges in feuchter Umgebung nicht vermeidbar ist, verwenden Sie einen Fehlerstromschutzschalter.** *Der Einsatz eines Fehlerstromschutzschalters vermindert das Risiko eines elektrischen Schlages.*

- 3) Sicherheit von Personen**
- a) Seien Sie aufmerksam, Achten Sie darauf, was Sie tun, und gehen Sie mit Vernunft an die Arbeit mit einem Elektrowerkzeug. Benutzen Sie kein Elektrowerkzeug, wenn Sie müde sind oder unter dem Einfluss von Drogen, Alkohol oder Medikamenten stehen. Ein Moment der Unachtsamkeit beim Gebrauch des Elektrowerkzeuges kann zu ernsthaften Verletzungen führen.**
- b) Tragen Sie persönliche Schutzausrüstung und immer eine Schutzbrille. Das Tragen persönlicher Schutzausrüstung, wie Staubmaske, rutschfeste Sicherheitsschuhe, Schutzhelm oder Gehörschutz, je nach Art und Einsatz des Elektrowerkzeuges, verringert das Risiko von Verletzungen.**
- c) Vermeiden Sie eine unbeabsichtigte Inbetriebnahme. Vergewissern Sie sich, dass das Elektrowerkzeug ausgeschaltet ist, bevor Sie es an den Akku anschließen, es aufnehmen oder tragen. Wenn Sie beim Tragen des Elektrowerkzeuges den Finger am Schalter haben oder das Gerät eingeschaltet an die Stromversorgung anschließen, kann dies zu Unfällen führen.**
- d) Entfernen Sie Einstellwerkzeuge oder Schraubenschlüssel, bevor Sie das Elektrowerkzeug einschalten. Ein Werkzeug oder Schlüssel, der sich in einem drehenden Geräteteil befindet, kann zu Verletzungen führen.**
- e) Vermeiden Sie eine abnormale Körperhaltung. Sorgen Sie für einen sicheren Stand und halten Sie jederzeit das Gleichgewicht. Dadurch können Sie das Elektrowerkzeug in unerwarteten Situationen besser kontrollieren.**
- f) Tragen Sie geeignete Kleidung. Tragen Sie keine weite Kleidung oder Schmuck.**

Halten Sie Haare und Kleidung fern von sich bewegenden Teilen. Lockere Kleidung, Schmuck oder lange Haare können von sich bewegenden Teilen erfasst werden.

- g) Wenn Staubabsaug- und -auffangeinrichtungen montiert werden können, vergewissern Sie sich, dass diese angeschlossen sind und richtig verwendet werden. Verwendung einer Staubabsaugung kann Gefährdungen durch Staub verringern.**
- h) Vermeiden Sie, durch die häufige Nutzung des Werkzeugs in einen Trott zu verfallen und Prinzipien für die Werkzeugsicherheit zu ignorieren. Eine unachtsame Aktion kann im Bruchteil einer Sekunde zu schweren Verletzungen führen.**
- 4) Verwendung und Behandlung des Elektrowerkzeuges**
- a) Überlasten Sie das Gerät nicht. Verwenden Sie für Ihre Arbeit das dafür bestimmte Elektrowerkzeug. Mit dem passenden Elektrowerkzeug arbeiten Sie besser und sicherer im angegebenen Leistungsbereich.**
- b) Benutzen Sie kein Elektrowerkzeug, dessen Schalter defekt ist. Ein Elektrowerkzeug, das sich nicht mehr ein- oder ausschalten lässt, ist gefährlich und muss repariert werden.**
- c) Klemmen Sie den Stecker von der Stromversorgung ab und/oder entfernen Sie den Akku (falls abnehmbar) aus dem Elektrowerkzeug, bevor Sie Geräteeinstellungen vornehmen, Zubehörteile wechseln oder das Gerät weglegen. Diese Vorsichtsmaßnahme verhindert den unbeabsichtigten Start des Elektrowerkzeuges.**

- d) **Bewahren Sie unbenutzte Elektrowerkzeuge außerhalb der Reichweite von Kindern auf. Lassen Sie Personen das Gerät nicht benutzen, die mit diesem nicht vertraut sind oder diese Anweisungen nicht gelesen haben.** *Elektrowerkzeuge sind gefährlich, wenn Sie von unerfahrenen Personen benutzt werden.*
- e) **Warten Sie die Elektrowerkzeuge und Zubehör. Kontrollieren Sie, ob bewegliche Teile einwandfrei funktionieren und nicht klemmen, ob Teile gebrochen oder so beschädigt sind, dass die Funktion des Elektrowerkzeuges beeinträchtigt ist. Lassen Sie beschädigte Teile vor dem Einsatz des Gerätes reparieren.** *Viele Unfälle haben ihre Ursache in schlecht gewarteten Elektrowerkzeugen.*
- f) **Halten Sie Schneidwerkzeuge scharf und sauber.** *Sorgfältig gepflegte Schneidwerkzeuge mit scharfen Schneidkanten verklemmen sich weniger und sind leichter zu führen.*
- g) **Verwenden Sie Elektrowerkzeug, Zubehör, Einsatzwerkzeuge usw. entsprechend diesen Anweisungen. Berücksichtigen Sie dabei die Arbeitsbedingungen und die auszuführende Tätigkeit.** *Der Gebrauch von Elektrowerkzeugen für andere als die vorgesehenen Anwendungen kann zu gefährlichen Situationen führen.*
- h) **Halten Sie die Griffe trocken, sauber und frei von Öl und Fett.** *Rutschige Griffe und Oberflächen unterbinden die sichere Bedienbarkeit und Kontrolle über das Werkzeug in unerwarteten Situationen.*

- 5) **Verwendung und Behandlung des Akkuwerkzeugs**
- a) **Laden Sie die Akkus nur in Ladegeräten auf, die vom Hersteller empfohlen werden.** *Für ein Ladegerät, das für eine bestimmte Art von Akkus geeignet ist, besteht Brandgefahr, wenn es mit anderen Akkus verwendet wird.*
- b) **Verwenden Sie nur die dafür vorgesehenen Akkus in den Elektrowerkzeugen.** *Der Gebrauch von anderen Akkus kann zu Verletzungen und Brandgefahr führen.*
- c) **Halten Sie den nicht benutzten Akku fern von Büroklammern, Münzen, Schlüsseln, Nägeln, Schrauben oder anderen kleinen Metallgegenständen, die eine Überbrückung der Kontakte verursachen könnten.** *Ein Kurzschluss zwischen den Akkukontakten kann Verbrennungen oder Feuer zur Folge haben.*
- d) **Bei falscher Anwendung kann Flüssigkeit aus dem Akku austreten. Vermeiden Sie den Kontakt damit. Bei zufälligem Kontakt mit Wasser abspülen. Wenn die Flüssigkeit in die Augen kommt, nehmen Sie zusätzlich ärztliche Hilfe in Anspruch.** *Austretende Akkufflüssigkeit kann zu Hautreizungen oder Verbrennungen führen.*
- e) **Verwenden Sie kein Akkupack oder Werkzeug, das beschädigt ist.** *Beschädigte oder modifizierte Akkus können unvorhersehbare Reaktionen auslösen und zu Bränden, Explosionen oder Verletzungen führen.*
- f) **Setzen Sie das Akkupack oder Werkzeug keinem Feuer oder übermäßig hohen Temperaturen aus.** *Die Belastung durch Feuer oder Temperaturen über 130 °C kann zur Explosion führen.*

g) Befolgen Sie alle Ladeanweisungen, und laden Sie das Akkupack oder Werkzeug nicht außerhalb des in den Anweisungen festgelegten Temperaturbereichs auf. *Ein unsachgemäßer Ladevorgang oder Temperaturen außerhalb des festgelegten Bereichs können den Akku schädigen und die Brandgefahr erhöhen.*

6) Service

a) Lassen Sie Ihr Elektrowerkzeug nur von qualifiziertem Fachpersonal und nur mit Original-Ersatzteilen reparieren. *Damit wird sichergestellt, dass die Sicherheit des Gerätes erhalten bleibt.*

b) Führen Sie niemals Wartungsarbeiten an beschädigten Akkus durch. *Die Wartung von Akkupacks darf nur vom Hersteller selbst oder autorisierten Dienstleistern durchgeführt werden.*

SCHRAUBENDREHER-SICHERHEITSWARNUNG

1. Halten Sie das Werkzeug schon vor der Inbetriebnahme fest in der Hand. Dieses Werkzeug erzeugt ein hohes Ausgangsdrehmoment. Halten Sie das Werkzeug während des Betriebs nicht ordnungsgemäß fest, kann dies einen Kontrollverlust und ernste Verletzungen nach sich ziehen.

SICHERHEIT HINWEISE FÜR AKKUPACK

- a) Zellen bzw. Akkupack nicht zerlegen, öffnen oder zerdrücken.**
- b) Akkupack nicht kurzschließen. Akkupacks nicht wahllos in einer Schachtel oder**

Schublade aufbewahren, wo sie einander kurzschließen oder durch andere leitfähige Materialien kurzgeschlossen werden könnten.

Bei Nichtverwendung des Akkupacks ist dieses von Metallgegenständen fernzuhalten, wie etwa Büroklammern, Münzen, Nägeln, Schrauben oder anderen kleinen Metallgegenständen, wo sich die Batterieklemmen berühren könnten. Das Kurzschließen der Batterieklemmen kann Verbrennungen bzw. einen Brand verursachen.

c) Zellen bzw. Akkupacks nicht Hitze oder Feuer aussetzen. Lagerung in direktem Sonnenlicht vermeiden.

d) Akkupack nicht mechanischen Stößen aussetzen.

e) Im Fall, dass Flüssigkeit aus dem Akku austritt, darf diese nicht in Kontakt mit der Haut oder den Augen kommen. Sollte dies dennoch geschehen, den betroffenen Bereich sofort mit viel Wasser spülen und einen Arzt aufsuchen.

f) Akkupack sauber und trocken halten.

g) Sollten die Klemmen des Akkupacks schmutzig werden, diese mit einem sauberen, trockenen Tuch abwischen.




h) Akkupackmuss vor Gebrauch aufgeladen werden. Immer diese Anweisungen beachten und den korrekten Ladevorgang ausführen.

i) Akkupack bei Nichtverwendung nicht längere Zeit aufladen lassen.

j) Nach längerer Lagerung des Gerätes ist es eventuell notwendig, die Zellen oder das Akkupack mehrere Male aufzuladen und zu entladen, um eine optimale Leistung zu erhalten.

- k) **Nur mit dem von Kress bezeichneten Ladegerät aufladen. Kein Ladegerät verwenden, das nicht ausdrücklich für den Gebrauch mit dem Gerät vorgesehen ist.**
- l) **Kein Akkupack verwenden, das nicht für den Gebrauch mit dem Gerät vorgesehen ist.**
- m) **Akkupacks von Kindern fernhalten.**
- n) **Die originalen Produktunterlagen zum späteren Nachschlagen aufbewahren.**
- o) **Den Akku bei Nichtverwendung aus dem Gerät nehmen.**
- p) **Ordnungsgemäß entsorgen.**
- q) **Vermischen Sie keine Zellen verschiedener Hersteller, Kapazitäten, Größen oder Typen innerhalb eines Geräts.**
- r) **Halten Sie den Akku von Mikrowellen fern und setzen Sie ihn keinem hohen Druck aus.**

SYMBOLE

	Lesen Sie unbedingt die Anleitung, damit es nicht zu Verletzungen kommt
	WARNUNG
	Tragen Sie eine Schutzbrille.

	Tragen Sie Gehörschutz
	Tragen Sie eine Staubmaske
	Nicht verbrennen
	Wenn die Akkus unsachgemäß behandelt wird, kann sie in den Wasserkreislauf gelangen und das Ökosystem schädigen. Entsorgen Sie verbrauchte Akkus nicht über den Hausmüll.
	Li-Ion-Akkus Dieses Produkt wurde mit einem Symbol 'getrennte Sammlung' für alle Akkupacks und Akkupack gekennzeichnet. Diese Abfälle werden dann recycelt oder demontiert, um die Umweltbelastung zu verringern. Akkupacks können schädlich für die Umwelt und die menschliche Gesundheit sein, da sie schädliche Substanzen enthalten.




Elektroprodukte dürfen nicht mit dem normalen Haushaltsmüll entsorgt werden, sondern sollten nach Möglichkeit zu einer Recyclingstelle gebracht werden. Ihre zuständigen Behörden oder Ihr Fachhändler geben Ihnen hierzu gerne Auskunft.

KOMPONENTEN

- 1. RECHTS-/LINKSLAUF**
- 2. GUMMIERTER GRIFF**
- 3. ENTRIEGELUNGSTASTE***
- 4. AKKUPACK***
- 5. EIN-/AUS-SCHALTER**
- 6. LED LEUCHE**
- 7. ARRETIERUNGSRING DER BITAUFNAHME**
- 8. ELEKTRONISCHER DREHZAHLEGLER**
- 9. LADESTANDANZEIGE**

* Abgebildetes oder beschriebenes Zubehör gehört teilweise nicht zum Lieferumfang.

TECHNICAL SPECIFICATIONS

	KUB50.2
Akku-Spannung	12V  Max**
Leerlaufdrehzahl	0-3300/min
Nennschlagzahl	0-1600/0-3500/0-4000bpm
Max. Drehmoment	140Nm
Bohrfuttergröße	6.35mm
Gewicht	0.88kg

** Spannung ohne Arbeitslast gemessen.
Anfangsakkuspannung erreicht maximal 12 Volt.
Nennspannung ist 10.8 Volt.

INFORMATIONEN ÜBER LÄRM

Gewichteter Schalldruck	$L_{pA} = 78,0\text{dB(A)}$
Gewichtete Schalleistung	$L_{wA} = 89,0\text{dB(A)}$
$K_{pA} \& K_{wA}$	3dB(A)

Tragen Sie einen Gehörschutz.

DE

19

INFORMATIONEN ÜBER VIBRATIONEN

Vibrations Gesamt Messwertermittlung gemäß EN 62841:

Vibrationsemissionswert	$a_n = 4,728\text{m/s}^2$
	Unsicherheit $K = 1,5\text{m/s}^2$

Der angegebene Vibrationsgesamtwert kann und der angegebene Vibrationsemissionswert wurden gemäß Standardprüfverfahren gemessen und können zum Vergleichen eines Werkzeug mit einem anderen verwendet werden.

Der angegebene Vibrationsgesamtwert und der angegebene Vibrationsemissionswert können auch für eine anfängliche Beurteilung der Beeinträchtigung verwendet werden.

DE

20



WARNUNG: Die Vibrations- und Lärmemissionen bei der eigentlichen Nutzung des Elektrowerkzeugs können vom angegebenen Wert abweichen, je nachdem, wie das Werkzeug verwendet wird und insbesondere abhängig davon, welcher Werkstücktyp verarbeitet wird, und abhängig von folgenden Beispielen und verschiedenen Einsatzmöglichkeiten des Werkzeugs:

Wie das Werkzeug verwendet wird und Materialien geschnitten oder angebohrt werden.

Das Werkzeug ist in gutem Zustand und gut gepflegt.

Verwendung des richtigen Zubehörs für das Werkzeug und Gewährleistung seiner Schärfe und seines guten Zustands.

Die Festigkeit des Griffs auf den Handgriffen und, falls Antivibrations- und Lärmschutzzubehör verwendet wird.

Und ob das verwendete Werkzeug dem Design und diesen Anweisungen entsprechend verwendet wird.

Wird dieses Werkzeug nicht angemessen gehandhabt, kann es ein Hand-Arm-Vibrationssyndrom erzeugen.



WARNUNG: Um genau zu sein, sollte ein Abschätzung des Belastungsgrades aller Arbeitsabschnitte während tatsächlicher Verwendung berücksichtigt werden, z.B. die Zeiten, wenn das Werkzeug ausgeschaltet ist, und wenn es sich im Leerlauf befindet und eigentlich nicht eingesetzt wird. Auf diese Weise kann der Belastungsgrad während der gesamten Arbeitszeit wesentlich gemindert werden.

Hilft dabei, das Risiko der Vibrations- und Lärmbelastung zu minimieren.

Verwenden Sie **IMMER** scharfe Meissel, Bohrer und Sägeblätter.

Pflegen Sie dieses Werkzeug diesen Anweisungen entsprechend und achten Sie auf eine gute Einfettung (wo erforderlich).

Falls das Werkzeug regelmäßig verwendet werden soll, investieren Sie in Antivibrations- und Lärmschutzzubehör.

Machen Sie einen Arbeitsplan, um die Verwendung von hochvibrierenden Werkzeugen auf mehrere Tage zu verteilen.

ZUBEHÖR

	KUB50.2
2.0Ah Li-Ionen Akku (KPB1202)	2
1.5-A-Ladegerät (KCH1202)	1
Schrauberbit	1

Wir empfehlen, dass Sie Ihr Zubehör in dem Geschäft kaufen, in dem Sie das Werkzeug verkaufen. Weitere Einzelheiten entnehmen Sie bitte in der Zubehörverpackung. Das Ladenpersonal kann Ihnen behilflich sein und Ratschläge anbieten.

HINWEISE ZUM BETRIEB



Hinweis: Lesen Sie das Handbuch vor Inbetriebnahme des Werkzeuges sorgfältig durch.

BESTIMMUNGSGEMÄßER GEBRAUCH

Dieses Werkzeug ist für das Befestigen und Lösen von Schrauben, Muttern und verschiedenen mit einem Gewinde versehenen Befestigungsmitteln bestimmt.

VOR DER INBETRIEBNAHME

A) AUFLADEN DES AKKUS

Das mitgelieferte Ladegerät ist auf den im Gerät installierten Li-Ionen-Akku abgestimmt. Kein anderes Batterieladegerät verwenden.

Der Li-Ionen-Akku ist gegen Tiefentladung geschützt. Wenn die Akkuladung sehr niedrig ist, wird das Gerät durch eine Schutzschaltung abgeschaltet: Das Spannfutter dreht sich nicht mehr.

In einer warmen Umgebung oder nach intensivem Gebrauch kann der Akku zu heiß werden, und darf in diesem Zustand nicht geladen werden. Lassen Sie den Akku abkühlen, bevor Sie ihn wieder aufladen.

B) ZUM ENTFERNEN ODER EINBAUEN DES AKKUS (SIEHE A)

Drücken Sie die Entriegelungstaste des Akkupacks und schieben Sie den Akkupack (4) aus Ihrem Werkzeug heraus. Nach dem Aufladen schieben Sie ihn wieder in Ihr Gerät zurück. Ein einfaches Schieben und ein leichter Druck reichen aus.

BETRIEB

1. EINSETZEN UND ENTFERNEN EINES SCHRAUBERBITS

So setzen Sie einen Schrauberbit ein:

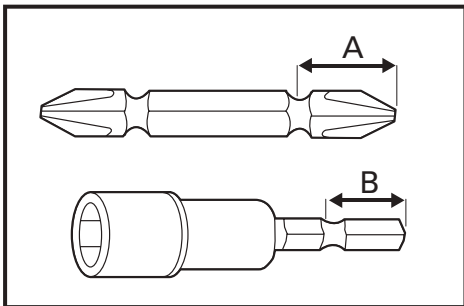
A): Ziehen Sie den Bohrfutteraussening in Richtung des Pfeils und führen Sie den Schrauberbit bis zum Anschlag in das Bohrfutter ein. Lassen Sie dann das Bohrfutter wieder los, um den Schrauberbit zu arretieren. (siehe Abb. B).

B): Ziehen Sie am Bohrfutter in Richtung des Pfeils und führen Sie zunächst den Schutzkegel und anschließend den Schrauberbit bis zum Anschlag in das Bohrfutter ein. Lassen Sie dann das Bohrfutter wieder los, um den Schrauberbit zu arretieren (siehe Abb. C).

Hinweis: Verwenden Sie ausschließlich die nachstehend abgebildeten Schrauberbits und die entsprechenden Halter.

Für Werkzeuge mit tiefer Werkzeugaufnahme:

A=17mm B=14mm	Möchten Sie diese Art von Schrauberbits verwenden, befolgen Sie die in Abb. B dargestellten Schritte zur Befestigung.
A=12mm B=9mm	Möchten Sie diese Art von Schrauberbits verwenden, befolgen Sie die in Abb. C dargestellten Schritte zur Befestigung. Hinweis: Hierbei ist die Verwendung des Schutzkegels erforderlich..



DE

22 **So entfernen Sie einen Schrauberbit:**
Ziehen Sie die Hülse der Bitaufnahme wie in Abb. B/C gezeigt in Richtung des Pfeils und ziehen Sie den Bit heraus.

2. VERRIEGELUNG

Für den Verriegelungsmechanismus wurde eine brandneue elektromagnetische Technik implementiert, die zuverlässiger als mechanische Verriegelungsmechanismen ist. Wird der Schalthebel in die mittlere Stellung gebracht, führt dies zur vollständigen Unterbrechung der Stromversorgung des Geräts und bewirkt, dass sich das Gerät selbst bei gewaltsamer Betätigung des Abzugshebels nicht in Betrieb nehmen lässt. Diese Funktion ist insbesondere dafür vorgesehen, bei Nichtgebrauch eine versehentliche Inbetriebnahme des Geräts zu verhindern.

3. ÄNDERN DER DREHRICHTUNG

Möchten Sie Löcher bohren oder Schrauben hineindrehen, drücken Sie auf die mit dem Symbol "◀◀" gekennzeichnete Seite der Umschaltung (Umschalthebel befindet sich in der linken Stellung). Möchten Sie einen verkeilten Bohreinsatz lösen oder Schrauben herausdrehen, drücken Sie auf die mit dem Symbol "▶▶" gekennzeichnete Seite der Umschaltung (Umschalthebel befindet sich in der rechten Stellung).

Warnhinweis: Ändern Sie die Drehrichtung des Geräts erst dann, wenn Bohrfutter sich nicht mehr dreht bzw. vollständig zum Stillstand gekommen ist!

4. LED-LICHT (6)

Das Licht schaltet sich bei Betätigung des Ein/Aus-Abzugshebels (5) automatisch ein. Lassen Sie den Ein/Aus-Abzugshebel los, schaltet sich das Licht automatisch wieder aus. Das LED-Licht sorgt für eine bessere Sichtbarkeit und eignet sich daher ideal für dunkle oder sich in geschlossenen Räumen befindliche Arbeitsumgebungen. Geht die Kapazität des Akkus zur Neige, beginnt das Licht zu blinken.

5. ELEKTRONISCHER DREHZAHLEGLER (8)

Ist der elektronische Drehzahlregler verriegelt, kann die Drehzahl während des Betriebs des Geräts nicht angepasst werden.

WARTUNG

Ihr Werkzeug benötigt keine zusätzliche Schmierung oder Wartung.

Es enthält keine Teile, die Sie warten müssen. Reinigen Sie Ihr Werkzeug niemals mit Wasser oder chemischen Lösungsmitteln. Wischen Sie es mit einem trockenen Tuch sauber. Lagern Sie Ihr Werkzeug immer an einem trockenen

Platz. Sorgen Sie dafür, dass bei staubigen Arbeiten die Lüftungsöffnungen frei sind. Gelegentlich sind durch die Lüftungsschlitze hindurch Funken zu sehen. Dies ist normal und wird Ihr Werkzeug nicht beschädigen.

BEI AKKUWERKZEUGEN

Der Umgebungstemperaturbereich für die Nutzung und Lagerung von Werkzeug und Akku liegt zwischen 0°C und 45°C. Der empfohlene Umgebungstemperaturbereich für die Ladestation liegt zwischen 0°C und 40°C.

UMWELTSCHUTZ



Elektroprodukte dürfen nicht mit dem normalen Haushaltsmüll entsorgt werden, sondern sollten nach Möglichkeit zu einer Recyclingstelle gebracht werden. Ihre zuständigen Behörden oder Ihr Fachhändler geben Ihnen hierzu gerne Auskunft.

KONFORMITÄTSERKLÄRUNG

Wir,
POSITEC Germany GmbH
Postfach 32 02 16, 50796 Cologne, Germany

erklären hiermit, dass unser Produkt
Beschreibung **Akku- Bohrschrauber**
Typ **KUB50.2 (B50- bezeichnung des Gerätes,
stellvertretend für den Schraubendreher.)**
Funktionen **Anziehen und Lösen von Schrauben,
Muttern**

Den Bestimmungen der folgenden Richtlinien entspricht:
2006/42/EC
2011/65/EU&(EU)2015/863
2014/30/EU

Werte nach
EN 55014-1
EN 55014-2
EN 62841-1
EN 62841-2-2

Zur Kompilierung der technischen Datei ermächtigte Person
Name Marcel Filz
Adresse Positec Germany GmbH
Postfach 32 02 16, 50796 Cologne, Germany



2022/03/11
Allen Ding
Stellvertretender Cheffingenieur,
Prüfung und Zertifizierung
Positec Technology (China) Co., Ltd
18, Dongwang Road, Suzhou Industrial
Park, Jianguo 215123, P. R. China

**NOTICE ORIGINALE
SÉCURITÉ DU PRODUIT
AVERTISSEMENTS DE SÉCURITÉ GÉNÉRAUX POUR
L'OUTIL**



AVERTISSEMENT Lire l'ensemble des mises en garde, instructions, illustrations et spécifications fourni avec cet outil électrique. Ne pas suivre toutes les instructions énumérées ci-dessous peut conduire à une électrocution, un incendie et / ou des blessures graves.

Conserver tous les avertissements et toutes les instructions pour pouvoir s'y reporter ultérieurement.

FR Le terme «outil» dans les avertissements fait référence à votre outil électrique alimenté par le secteur (avec cordon d'alimentation) ou votre outil fonctionnant sur batterie (sans cordon d'alimentation).

- 1) Sécurité de la zone de travail**
- a) Conserver la zone de travail propre et bien éclairée.** Les zones en désordre ou sombres sont propices aux accidents.
- b) Ne pas faire fonctionner les outils électriques en atmosphère explosive, par exemple en présence de liquides inflammables, de gaz ou de poussières.** Les outils électriques produisent des étincelles qui peuvent enflammer les poussières ou les fumées.
- c) Maintenir les enfants et les personnes présentes à l'écart pendant l'utilisation de l'outil.** Les distractions peuvent vous faire perdre le contrôle de l'outil.

- 2) Sécurité électrique**
- a) Il faut que les fiches de l'outil électrique soient adaptées au socle. Ne jamais modifier la fiche de quelque façon que ce soit. Ne pas utiliser d'adaptateurs avec des outils à branchement de terre.** Des fiches non modifiées et des socles adaptés réduiront le risque de choc électrique.
- b) Eviter tout contact du corps avec des surfaces reliées à la terre telles que les tuyaux, les radiateurs, les cuisinières et les réfrigérateurs.** Il existe un risque accru de choc électrique si votre corps est relié à la terre.
- c) Ne pas exposer les outils à la pluie ou à des conditions humides.** La pénétration d'eau à l'intérieur d'un outil augmentera le risque de choc électrique.
- d) Ne pas maltraiter le cordon. Ne jamais utiliser le cordon pour porter, tirer ou débrancher l'outil. Maintenir le cordon à l'écart de la chaleur, du lubrifiant, des arêtes ou des parties en mouvement.** Des cordons endommagés ou emmêlés augmentent le risque de choc électrique.
- e) Lorsqu'on utilise un outil à l'extérieur, utiliser un prolongateur adapté à l'utilisation extérieure.** L'utilisation d'un cordon adapté à l'utilisation extérieure réduit le risque de choc électrique.
- f) Si l'usage d'un outil dans un emplacement humide est inévitable, utiliser une alimentation protégée par un dispositif à courant différentiel résiduel (DDR).** L'usage d'un DDR réduit le risque de choc électrique.

3) Sécurité des personnes

- a) **Restez vigilant, regardez ce que vous êtes en train de faire et faites preuve de bon sens dans votre utilisation de l'outil. Ne pas utiliser un outil lorsque vous êtes fatigué ou sous l'emprise de drogues, d'alcool ou de médicaments.** *Un moment d'inattention en cours d'utilisation d'un outil peut entraîner des blessures graves des personnes.*
- b) **Utiliser un équipement de sécurité. Toujours porter une protection pour les yeux.** *Les équipements de sécurité tels que les masques contre les poussières, les chaussures de sécurité antidérapantes, les casques ou les protections acoustiques utilisés pour les conditions appropriées réduiront les blessures de personnes.*
- c) **Éviter tout démarrage intempestif. S'assurer que l'interrupteur est en position arrêt avant de brancher l'outil au secteur et/ou au bloc de batteries, de le ramasser ou de le porter.** *Porter les outils en ayant le doigt sur l'interrupteur ou brancher des outils dont l'interrupteur est en position marche est source d'accidents.*
- d) **Retirer toute clé de réglage avant de mettre l'outil en marche.** *Une clé laissée fixée sur une partie tournante de l'outil peut donner lieu à des blessures de personnes.*
- e) **Ne pas se précipiter. Garder une position et un équilibre adaptés à tout moment.** *Cela permet un meilleur contrôle de l'outil dans des situations inattendues.*
- f) **S'habiller de manière adaptée. Ne pas porter de vêtements amples ou de bijoux. Garder les cheveux et les vêtements à distance des parties en mouvement.** *Des vêtements amples, des bijoux ou les cheveux longs peuvent être pris dans des*

parties en mouvement.

- g) **Si des dispositifs sont fournis pour le raccordement d'équipements pour l'extraction et la récupération des poussières, s'assurer qu'ils sont connectés et correctement utilisés.** *Utiliser des collecteurs de poussière peut réduire les risques dus aux poussières.*
- h) **Ne pas laisser les habitudes acquises au cours d'une utilisation fréquente des outils nous rendre complaisants et ignorer les principes de sécurité de l'outil.** *Une action imprudente peut entraîner des blessures graves en une fraction de seconde.*
- 4) **Utilisation et entretien de l'outil**
- a) **Ne pas forcer l'outil. Utiliser l'outil adapté à votre application.** *L'outil adapté réalisera mieux le travail et de manière plus sûre au régime pour lequel il a été construit.*
- b) **Ne pas utiliser l'outil si l'interrupteur ne permet pas de passer de l'état de marche à arrêt et vice versa.** *Tout outil qui ne peut pas être commandé par l'interrupteur est dangereux et il faut le réparer.*
- c) **Débrancher la prise de la source d'alimentation et / ou retirer la batterie, si elle est amovible, de l'outil, avant tout réglage, changement d'accessoires ou avant de ranger l'outil.** *De telles mesures de sécurité préventives réduisent le risque de démarrage accidentel de l'outil.*
- d) **Conserver les outils à l'arrêt hors de la portée des enfants et ne pas permettre à des personnes ne connaissant pas l'outil ou les présentes instructions de le faire fonctionner.** *Les outils sont dangereux entre les mains d'utilisateurs novices.*

- e) **Entretien des outils et accessoires électriques. Vérifier qu'il n'y a pas de mauvais alignement ou de blocage des parties mobiles, des pièces cassées ou toute autre condition pouvant affecter le fonctionnement de l'outil.** *En cas de dommages, faire réparer l'outil avant de l'utiliser. De nombreux accidents sont dus à des outils mal entretenus.*
- f) **Garder affûtés et propres les outils permettant de couper.** *Des outils destinés à couper correctement entretenus avec des pièces coupantes tranchantes sont moins susceptibles de bloquer et sont plus faciles à contrôler.*
- g) **Utiliser l'outil, les accessoires et les lames etc., conformément à ces instructions, en tenant compte des conditions de travail et du travail à réaliser.** *L'utilisation de l'outil pour des opérations différentes de celles prévues pourrait donner lieu à des situations dangereuses.*
- h) **Maintenir les poignées et les surfaces de préhension sèches, propres et exemptes d'huile et de graisse.** *Des poignées et surfaces de préhension glissantes ne permettent pas une manipulation et un contrôle de l'outil en toute sécurité en cas d'imprévu.*
- 5) **Utilisation des outils fonctionnant sur batteries et précautions d'emploi**
- a) **Ne recharger qu'avec le chargeur spécifié par le fabricant.** *Un chargeur qui est adapté à un type de bloc de batteries peut entraîner un risque d'incendie lorsqu'il est utilisé avec un autre type de bloc de batteries.*
- b) **N'utiliser les outils qu'avec des blocs de batteries spécifiquement désignés.** *L'utilisation de tout autre bloc de batteries peut entraîner un risque de blessure et d'incendie.*
- c) **Lorsqu'un bloc de batteries n'est pas utilisé, le maintenir à l'écart de tout autre objet métallique, par exemple trombones, pièces de monnaie, clés, clous, vis ou autres objets de petite taille qui peuvent donner lieu à une connexion d'une borne à une autre.** *Le court-circuitage des bornes d'une batterie entre elles peut causer des brûlures ou un incendie.*
- d) **Dans de mauvaises conditions, du liquide peut être éjecté de la batterie; éviter tout contact. En cas de contact accidentel, nettoyer à l'eau. Si le liquide entre en contact avec les yeux, rechercher en plus une aide médicale.** *Le liquide éjecté des batteries peut causer des irritations ou des brûlures.*
- e) **N'utilisez pas de batterie ou d'outil endommagé ou modifié.** *Des batteries endommagées ou modifiées peuvent se comporter de façon imprévisible et causer un incendie, une explosion ou un risque de blessure.*
- f) **N'exposez pas une batterie ou un outil à un incendie ou à une température excessive.** *L'exposition à un incendie ou une température supérieure à 130 °C peut causer une explosion.*
- g) **Suivez toutes les instructions de charge et ne rechargez pas la batterie ou l'outil en dehors de la plage de température spécifiée dans les instructions.** *Recharger la batterie de façon inappropriée ou en dehors de la plage de température spécifiée peut l'endommager et augmente le risque d'incendie.*

6) Maintenance et entretien

- a) **Faire entretenir l'outil par un réparateur qualifié utilisant uniquement des pièces de rechange identiques.** *Cela assurera le maintien de la sécurité de l'outil.*
- b) **Ne révisiez jamais de batteries endommagées.** *La révision de batteries doit uniquement être effectuée par le fabricant ou les prestataires de service autorisés.*

AVERTISSEMENT DE SÉCURITÉ DU TOURNEVIS

- 1. **Bloquez bien l'outil avant utilisation.** Cet outil génère un couple de sortie élevé, et si l'outil n'est pas correctement bloqué pendant le fonctionnement, cela peut créer une perte de contrôle et entraîner des blessures.




MISES EN GARDE CONCERNANT LA BATTERIE

- a) **La batterie et les piles secondaires ne doivent pas être ouvertes, démontées ou broyées.**
- b) **La batterie ne doit pas être court-circuitée. Évitez de mettre la batterie en vrac dans une boîte ou dans un tiroir où elles risqueraient de se court-circuiter entre elles ou au contact d'autres objets métalliques.** Après usage, évitez tout contact de la batterie avec d'autres objets métalliques de petite taille (trombones, pièces, clés, clous, vis etc.) susceptibles de court-circuiter les pôles. Un court-circuit entre les pôles de la batterie peut être à l'origine de brûlures ou d'un incendie.
- c) **La batterie ne doit pas être exposée au feu et à la chaleur. Évitez de la ranger à la lumière du soleil.**
- d) **La batterie et les piles ne doivent pas être soumises à des chocs mécaniques.**
- e) **En cas de fuite des piles, évitez tout contact du liquide avec la peau et les yeux. En cas de contact, rincez abondamment la surface touchée avec de l'eau et appelez les urgences.**
- f) **La batterie et les piles doivent rester propres et sèches.**
- g) **Si la batterie ou les piles se salissent, essuyez-les avec un chiffon propre et sec.**
- h) **La batterie et les piles doivent être chargées avant usage. Utilisez toujours le chargeur adéquat, et respectez les instructions du fabricant ou le mode d'emploi de l'appareil concernant la procédure de recharge.**
- i) **Évitez de laisser une batterie se charger pendant trop longtemps lorsqu'elle n'est pas utilisée.**
- j) **Après de longues périodes d'inutilisation, il peut être nécessaire de charger et décharger la batterie et les piles à plusieurs reprises avant que celles-ci ne retrouvent leur capacité maximale.**
- k) **N'utilisez pas d'autre chargeur que celui spécifié par Kress. N'utilisez pas d'autre chargeur que celui spécifiquement fourni avec l'appareil.**
- l) **N'utilisez en aucun cas une batterie autre que celle prévue pour cet appareil.**
- m) **La batterie doit être tenue hors de portée des enfants.**
- n) **Gardez la documentation d'origine du produit afin de pouvoir vous y référer ultérieurement.**
- o) **Enlevez la batterie de l'appareil lorsque vous ne l'utilisez pas.**
- p) **Respectez les procédures de mise au rebut.**

- q) **Ne pas mélanger des piles de fabrication, capacité, taille ou type différents dans un appareil.**
- r) **Tenez la batterie éloignée des micro-ondes et des hautes pressions.**

SYMBOLES

	Pour réduire le risque de blessure, l'utilisateur doit lire le manuel d'instructions
	Avertissement
	Porter une protection pour les yeux
	Porter une protection pour les oreilles
	Porter un masque contre la poussière
	Ne pas brûler


	Les batteries peuvent entrer dans le cycle de l'eau si elles sont éliminées de façon inappropriée, ce qui peut être dangereux pour l'écosystème. Ne pas éliminer les batteries usagées comme un déchet municipal non trié.
	Batterie Li-Ion Ce produit comporte un symbole de « Collecte séparée » de toutes les batteries. Il sera ensuite recyclé ou démantelé, afin de réduire l'impact sur l'environnement. Les batteries peuvent être dangereuses pour l'environnement et la santé humaine, car elles contiennent des substances dangereuses.
	Les déchets d'équipements électriques et électroniques ne doivent pas être déposés avec les ordures ménagères. Ils doivent être collectés pour être recyclés dans des centres spécialisés. Consultez les autorités locales ou votre revendeur pour obtenir des renseignements sur l'organisation de la collecte.

LISTE DES COMPOSANTS

- 1. COMMANDE DE VERROUILLAGE ET DE ROTATION AVANT ET ARRIÈRE**
- 2. MANCHE DE POIGNÉE SOUPLE**
- 3. BOUTON DE VERROUILLAGE DE LA BATTERIE***
- 4. BATTERIE***
- 5. INTERRUPTEUR MARCHE/ARRÊT AVEC CONTRÔLE DE VITESSE VARIABLE**
- 6. LAMPE LED**
- 7. MANCHON DE VERROUILLAGE DE SERRAGE**
- 8. BOUTON DE CONTRÔLE DE LA VITESSE ÉLECTRONIQUE**
- 9. INDICATEUR D'ALIMENTATION**

* Les accessoires reproduits ou décrits ne sont pas tous compris avec le modèle standard livré.

CARACTÉRISTIQUES TECHNIQUES

	KUB50.2
Tension nominale	12V  Max**
Vitesse de rotation à vide	0-3300/min

Cadence de frappe	0-1600/0-3500/0-4000bpm
Force de torsion maximale	140Nm
Capacité du mandrin	6.35mm
Poids de la machine	0.88kg

** La tension est mesurée à vide. La tension initiale de la batterie atteint un maximum de 12 volts. La tension nominale est de 10.8 volts.

INFORMATIONS RELATIVES AU BRUIT

Niveau de pression acoustique	$L_{pA} = 78,0\text{dB(A)}$
Niveau de puissance acoustique	$L_{wA} = 89,0\text{dB(A)}$
$K_{pA} \& K_{wA}$	3dB(A)

Porter une protection pour les oreilles.

INFORMATIONS RELATIVES AUX VIBRATIONS

Valeurs totales de vibration (somme du vecteur triaxial) déterminées selon la norme EN 62841:

Valeur d'émission de vibrations	$a_h = 4,728\text{m/s}^2$
	Incertitude $K = 1,5\text{m/s}^2$

La valeur totale de vibration déclarée et la valeur d'émission de bruit déclarée ont été mesurées conformément à la méthode d'essai standard et peuvent être utilisées pour comparer un outil à un autre.

La valeur totale de vibration déclarée et la valeur d'émission de bruit déclarée peuvent également être utilisées lors d'une évaluation préliminaire de l'exposition.



AVERTISSEMENT: les vibrations et les émissions de bruit au cours de l'utilisation réelle de l'outil électrique peuvent varier de la valeur déclarée en fonction du mode d'utilisation de l'outil, en particulier du type de pièce traité selon les exemples suivants et d'autres variations concernant le mode d'utilisation de l'outil:

Comment l'outil est utilisé et quels matériaux sont coupés ou percés.

L'outil est en bon état et bien entretenu.

L'utilisation du bon accessoire pour l'outil et l'assurance qu'il est affûté et en bon état.

La force avec laquelle vous serrez les poignées et l'utilisation éventuelle d'un quelconque accessoire anti-bruit et anti-vibration. Et l'outil est utilisé comme prévu dans sa conception et dans les présentes instructions.

Cet outil peut causer un syndrome de vibration du bras et de la main s'il n'est pas correctement géré.



AVERTISSEMENT: Pour être précise, une évaluation du niveau d'exposition en conditions réelles d'utilisation doit également tenir compte de toutes les parties du cycle d'utilisation telles que les moments où l'outil est éteint, et ceux où il fonctionne au ralenti mais ne réalise pas réellement de tâche. Ceci peut réduire de façon significative le niveau d'exposition et la période de fonctionnement totale.

Facteurs contribuant à minimiser votre risque d'exposition aux vibrations et au bruit.

Utilisez TOUJOURS des ciseaux, des forets et des lames affûtés.

Entretenez cet outil en accord avec les présentes instructions et maintenez-le lubrifié (si approprié).

Si l'outil doit être fréquemment utilisé, investissez dans des accessoires anti-bruit et anti-vibration.

Planifiez votre travail pour étaler toute utilisation d'outil à fortes vibrations sur plusieurs jours.

ACCESSOIRES

	KUB50.2
2.0Ah batterie lithium (KPB1202)	2
Chargeur (KCH1202)	1
Embouts de tournevis	1
Élément d'embout de tournevis	1

Nous vous recommandons d'acheter vos accessoires dans le magasin qui vous a vendu l'outil. Reportez-vous à l'emballage de l'accessoire pour plus de détails. Le personnel du magasin peut vous aider et vous conseiller.

FONCTIONNEMENT



Remarque: Avant d'utiliser cet outil, lire attentivement les instructions.

Usage

Cet outil est conçu pour serrer et desserrer des boulons, des écrous et divers éléments de fixation filetés.

AVANT LA MISE EN SERVICE

A) RECHARGE DE LA BATTERIE

Le chargeur de batterie fourni est adapté à la batterie li-ion installée sur l'appareil. N'utilisez pas d'autre type de chargeur de batterie.

La batterie li-ion est protégée contre la décharge profonde. Lorsque la batterie est déchargée, l'appareil est mis hors tension au moyen d'un circuit de protection. Le mandrin ne tourne plus.

Dans un environnement chaud ou après une utilisation intensive, la batterie peut devenir trop chaude pour pouvoir la recharger. Laissez la batterie refroidir avant de la recharger.

B) RETRAIT OU INSTALLATION DU BLOC DE BATTERIE (VOIR A)

Appuyez sur le bouton de déblocage de bloc de batterie pour retirer le bloc de batterie de votre outil. Une fois la recharge terminée, replacez-le dans votre outil. Il suffit d'appuyer simplement en exerçant une légère pression.

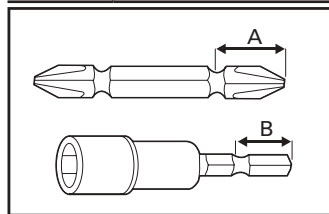
OPERATION

1. INSTALLER ET RETIRER UNE DOUILLE ET UN EMBOUT DE TOURNEVIS POUR FIXER DES EMBOUTS :

A). Lors du montage d'un embout de tournevis, tirez la douille dans le sens de la flèche et insérez un embout de tournevis jusqu'au bas de la douille. Puis, relâchez la douille pour bloquer l'embout de tournevis. (Voir Fig. B)
B). Lors du montage d'un embout de tournevis, tirez la douille dans le sens de la flèche et insérez l'élément d'embout de tournevis et l'embout de tournevis jusqu'au bas de la douille. Puis, relâchez la douille pour bloquer l'embout de tournevis. (Voir Fig. C)

Remarque : Utilisez uniquement les embouts de tournevis avec les supports en illustration Pour les outils avec un perçage profond pour les embouts de tournevis

A=17mm B=14mm	En cas d'utilisation de ce type d'embouts de tournevis, suivez les étapes de l'installation indiquées à la Fig. B.
A=12mm B=9mm	En cas d'utilisation de ce type d'embouts de tournevis, suivez les étapes de l'installation indiquées à la Fig. C. Un élément d'embout de tournevis est nécessaire.



Pour retirer des embouts :


Pour retirer un embout de tournevis, tirez la douille dans le sens de la flèche indiquée aux Fig. B/C et retirez l'embout de tournevis.

2. VERROU DE COMMULATEUR

Une technique directionnelle électromagnétique complètement innovante est utilisée pour le commutateur, qui est plus fiable que la structure directionnelle mécanique ; l'alimentation de la machine sera complètement coupée quand le levier de transmission est en position centrale, et la machine ne démarrera pas lorsque le bouton est maintenu enfoncé. Cette fonction est utile pour éviter tout démarrage accidentel de la machine lorsqu'elle n'est pas utilisée.

FR 3. ROTATION RÉVERSIBLE

32 Pour percer et visser, utilisez la rotation avant indiquée par " ◀◀ " (levier déplacé à gauche). Utilisez uniquement la rotation inverse indiquée par " ▶▶ " (levier déplacé à droite) pour dévisser ou desserrer une mèche coincée.

 **Avertissement :** Ne changez jamais le sens de rotation lorsque le mandrin tourne, attendez qu'il s'arrête !

4. ÉCLAIRAGE LED (6)

Pour allumer l'éclairage, appuyez simplement sur l'interrupteur Marche/Arrêt (5). Si vous relâchez l'interrupteur Marche/Arrêt, l'éclairage s'éteint. L'éclairage LED permet une plus grande visibilité dans les endroits fermés ou sombres. Il clignotera en cas de faible alimentation.

5. BOUTON DE CONTRÔLE DE VITESSE ÉLECTRONIQUE (8)

La vitesse ne peut pas être réglée pendant le fonctionnement de la machine, si le bouton de contrôle de vitesse électronique est verrouillé.

ENTRETIEN

L'outil motorisé ne requiert pas de graissage ou d'entretien particulier.

Il n'y a pas de pièces réparables par l'utilisateur dans cet outil. Ne jamais utiliser d'eau ou de nettoyeurs chimiques pour nettoyer l'outil. Nettoyer avec un chiffon sec. Toujours conserver l'outil motorisé dans un endroit sec. Maintenir les fentes de ventilation du moteur propres. Empêcher que les commandes de marche soient couvertes de sciure. Il est normal que des étincelles soient visibles dans les fentes de ventilation, cela n'endommagera pas l'outil motorisé.

POUR LES OUTILS À BATTERIE

La plage de température ambiante pour l'utilisation et le stockage de l'outil et de la batterie est de 0°C à 45°C. La plage de température ambiante recommandée pour le système de recharge au cours de la charge est de 0°C à 40°C.

PROTECTION DE L'ENVIRONNEMENT



Les déchets d'équipements électriques et électroniques ne doivent pas être déposés avec les ordures ménagères. Ils doivent être collectés pour être recyclés dans des centres spécialisés. Consultez les autorités locales ou votre revendeur pour obtenir des renseignements sur l'organisation de la collecte.

DÉCLARATION DE CONFORMITÉ

Nous,
POSITEC Germany GmbH
Postfach 32 02 16, 50796 Cologne, Germany

Déclarons ce produit,
Description **Perceuse alimentée par batterie**
Modèle **KUB50.2 (B50- désignation de la machine, modèle de tournevis)**
Fonction **Serrer et desserrer les vis et les écrous**

Est conforme aux directives suivantes :

2006/42/EC
2011/65/EU&[EU]2015/863
2014/30/EU

Et conforme aux normes

EN 55014-1
EN 55014-2
EN 62841-1
EN 62841-2-2

La personne autorisée à compiler le dossier technique,
Nom Marcel Filz
Adresse Positec Germany GmbH
Postfach 32 02 16, 50796 Cologne, Germany



2022/03/11
Allen Ding
Ingénieur en chef adjoint, Essais &
Certification
Positec Technology (China) Co., Ltd
18, Dongwang Road, Suzhou Industrial
Park, Jiangsu 215123, P. R. China

FR

33

**ISTRUZIONI ORIGINALI
SICUREZZA DEL PRODOTTO
AVVISI GENERALI PER LA SICUREZZA DEGLI
UTENSILI A MOTORE**



AVVERTENZA: Leggere tutte le avvertenze di sicurezza, le istruzioni, le illustrazioni e le specifiche fornite con questo elettrotensile.

La mancata osservanza delle istruzioni elencate di seguito potrebbe provocare una scossa elettrica, un incendio e/o lesioni gravi.

Conservare tutti gli avvisi e le istruzioni per poterli consultare quando necessario.

Il termine «elettrotensile elettrico» utilizzato di seguito in questo manuale si riferisce a utensili elettrici alimentati dalla rete (con linea di allacciamento), oltre che ad utensili elettrici alimentati a batteria (senza linea di allacciamento).

1) Posto di lavoro

a) Mantenere pulito e ordinato il posto di lavoro.

Il disordine e le zone di lavoro non illuminate possono essere fonte di incidenti.

b) Evitare d'impiegare l'utensile in ambienti soggetti al rischio di esplosioni nei quali siano presenti liquidi, gas o polveri infiammabili.

Gli utensili elettrici producono scintille che possono incendiare polveri e gas.

c) Mantenere lontani i bambini e altre persone durante l'impiego dell'utensile elettrico.

Eventuali distrazioni potranno comportare la perdita di controllo sull'utensile.

2) Sicurezza elettrica

a) La spina elettrica dovrà essere adatta alla

presa di corrente. Evitare assolutamente di apportare modifiche alla spina. Non impiegare spine adattatrici assieme a utensili con collegamento a terra. *Le spine non modificate e le prese adatte allo scopo riducono il rischio di scosse elettriche.*

- b) Evitare il contatto fisico con superfici collegate a terra, come tubi, apparecchiature per il riscaldamento, cucine elettriche e frigoriferi.** *Nel momento in cui il corpo è messo a massa sussiste un maggior rischio di scosse elettriche.*
- c) Custodire l'utensile al riparo dalla pioggia o dall'umidità.** *L'eventuale infiltrazione di acqua in un elettrotensile comporta un aumento del rischio d'insorgenza di scosse elettriche.*
- d) Non usare il cavo di alimentazione per scopi diversi da quelli previsti, al fine di trasportare o appendere l'elettrotensile, oppure per staccare la spina dalla presa di corrente. Mantenere l'elettrotensile al riparo da fonti di calore, olio, spigoli o parti di strumenti in movimento.** *I cavi danneggiati o aggrovigliati aumentano il rischio d'insorgenza di scosse elettriche.*
- e) Qualora si voglia usare l'utensile all'aperto, impiegare solo ed esclusivamente cavi di prolunga omologati per l'impiego all'esterno.** *L'uso di un cavo di prolunga omologato per l'impiego all'esterno riduce il rischio d'insorgenza di scosse elettriche.*
- f) Se si deve utilizzare l'elettrotensile in un luogo umido, utilizzare una fonte di alimentazione dotata di interruttore differenziale.** *L'uso di un interruttore differenziale riduce il rischio di folgorazioni elettriche.*

3) Sicurezza delle persone

- a) **È importante concentrarsi su ciò che si sta facendo e maneggiare con giudizio l'elettrotensile mentre si lavora. Non utilizzare l'elettrotensile quando si è stanchi o sotto l'effetto di alcol, stupefacenti e medicinali.** *Un attimo di distrazione durante l'uso dell'elettrotensile potrebbe causare lesioni gravi.*
- b) **Indossare sempre dispositivi di protezione individuale, e guanti protettivi.** *Se si avrà cura d'indossare equipaggiamento protettivo individuale come una maschera antipolvere, calzature antiscivolo di sicurezza, elmetto o dispositivi di protezione acustica, a seconda dell'impiego previsto per l'elettrotensile, si potrà ridurre il rischio di lesioni.*
- c) **Evitare l'avviamento involontario. Controllare che l'interruttore sia nella posizione di spegnimento (off) prima di effettuare il collegamento a una fonte di alimentazione/ batteria e prima di sollevare o trasportare l'elettrotensile.** *Il fatto di tenere il dito sopra all'interruttore o di collegare l'utensile acceso all'alimentazione di corrente potrebbe essere causa di incidenti.*
- d) **Togliere gli attrezzi di regolazione o la chiave inglese prima di accendere l'elettrotensile.** *Un attrezzo o una chiave inglese che si trovino in una parte della macchina che sta girando può causare lesioni a persone.*
- e) **È importante non sopravvalutarsi. Avere cura di mettersi in una posizione sicura e di mantenere l'equilibrio.** *In tal modo sarà possibile controllare meglio la macchina in situazioni inaspettate.*
- f) **Indossare indumenti adeguati. Evitare di indossare vestiti lenti o gioielli. Tenere i**

capelli e gli indumenti lontani dalle parti mobili. *Vestiti lenti, gioielli o capelli lunghi potrebbero impigliarsi in parti in movimento.*

- g) **Se sussiste la possibilità di montare dispositivi di aspirazione o di captazione della polvere, assicurarsi che gli stessi siano stati installati correttamente e vengano utilizzati senza errori.** *L'impiego dei suddetti dispositivi diminuisce il pericolo rappresentato dalla polvere.*
- h) **Non lasciare che la familiarità acquisita con l'utilizzo frequente dell'elettrotensile si trasformi in autocompiacimento e trascuratezza dei principi di sicurezza.** *Un'azione imprudente può causare lesioni gravi entro una frazione di secondo.*
- 4) **Maneggio e impiego accurato di elettrotensili**
- a) **Non sovraccaricare l'elettrotensile. Impiegare l'elettrotensile adatto per eseguire il lavoro.** *Utilizzando l'elettrotensile elettrico adatto si potrà lavorare meglio e con maggior sicurezza nell'ambito della gamma di potenza indicata.*
- b) **Non utilizzare elettrotensili con interruttori difettosi.** *Un elettrotensile che non si può più accendere o spegnere è pericoloso e dovrà essere riparato.*
- c) **Staccare la spina dalla presa di corrente e/o rimuovere la batteria, se rimovibile, dall'elettrotensile prima di effettuare qualsiasi regolazione, sostituire gli accessori o riporre gli utensili elettrici.** *Tale precauzione eviterà che la macchina possa essere messa in funzione inavvertitamente.*
- d) **Custodire gli elettrotensili non utilizzati fuori della portata dei bambini. Non fare usare**

l'apparecchio a persone non abituate a farlo o che non abbiano letto le presenti istruzioni. *Gli elettroutensili sono pericolosi se utilizzati da persone inesperte.*

- e) Eseguire la manutenzione di elettroutensile e accessori. Verificare che le parti mobili dell'elettroutensile funzionino perfettamente e non s'inceppino, che non ci siano pezzi rotti o danneggiati al punto tale da limitare la funzione della macchina stessa. Far riparare le parti danneggiate prima di utilizzare l'elettroutensile.** *Numerosi incidenti vengono causati da elettroutensili la cui manutenzione è stata effettuata in modo poco accurato.*
- f) Mantenere affilati e puliti gli utensili da taglio.** *Gli utensili da taglio curati con particolare attenzione e con taglienti affilati s'inceppano meno di frequente e sono più facili da condurre.*
- g) Utilizzare elettroutensili, accessori, attrezzi, ecc. in conformità con le presenti istruzioni e secondo quanto previsto per questo tipo specifico di macchina. Osservare le condizioni di lavoro e il lavoro da eseguire durante l'impiego.** *L'impiego di elettroutensili per usi diversi da quelli consentiti potrà dar luogo a situazioni di pericolo.*
- h) Mantenere le impugnature e le superfici di presa asciutte, pulite e prive di olio e grasso.** *Le impugnature e le superfici di presa scivolose non permettono l'uso e il controllo sicuri dell'elettroutensile in situazioni impreviste.*
- 5) Maneggio e impiego accurato delle batterie**
- a) Caricare la batteria solo ed esclusivamente con i dispositivi di carica consigliati dal**

produttore. *Per un dispositivo di carica previsto per un determinato tipo di batteria, sussiste pericolo di incendio, se utilizzato con una batteria di tipo diverso.*

- b) Utilizzare negli elettroutensili elettrici solo ed esclusivamente le batterie previste per tale scopo.** *L'uso di batterie di tipo diverso potrebbe dare insorgenza a lesioni a persone e comportare il rischio d'incendi.*
- c) Tenere la batteria non utilizzata lontano da graffette, monete, chiavi, chiodi, viti o altri oggetti in metallo di piccole dimensioni che potrebbero causare un ponte tra i contatti.** *Un eventuale cortocircuito tra i contatti della batteria può dare origine a bruciature o ad incendi.*
- d) In caso di impiego sbagliato, possono verificarsi fuoriuscite di liquido dalla batteria. Evitarne il contatto. In caso di contatto casuale, sciacquare con acqua. Qualora il liquido dovesse entrare in contatto con gli occhi, chiedere immediato consiglio a un medico.** *Il liquido fuoriuscito dalla batteria può causare irritazioni cutanee o bruciature.*
- e) Non utilizzare una batteria o un elettroutensile danneggiati o modificati.** *Le batterie danneggiate o modificate potrebbero manifestare un comportamento imprevedibile con la possibilità di causare un'esplosione o un incendio.*
- f) Non esporre una batteria o un utensile al fuoco o a temperature elevate.** *L'esposizione al fuoco o a una temperatura superiore a 130°C potrebbe provocare un'esplosione.*
- g) Seguire tutte le istruzioni per la carica e non caricare la batteria o l'elettroutensile a una temperatura che non rientri nell'intervallo di valori specificato nelle istruzioni.** *Una ricarica*

effettuata in maniera scorretta o a una temperatura che non rientra nell'intervallo di valori specificato, potrebbe danneggiare la batteria aumentando il rischio d'incendio.

6) Assistenza

- a) Fare riparare l'apparecchio esclusivamente da personale specializzato e solo impiegando pezzi di ricambio originali.** *In tal modo potrà essere salvaguardata la sicurezza dell'apparecchio.*
- b) Non riparare le batterie danneggiate.** *Gli interventi di riparazione sulle batterie devono essere eseguiti dal costruttore o da fornitori di assistenza autorizzati.*

AVVERTENZA DI SICUREZZA DEL GIRAVITE

- 1. Controventare adeguatamente l'utensile prima dell'uso.** Questo attrezzo produce una coppia di uscita elevata e senza un adeguato sostegno dell'attrezzo durante il funzionamento, può verificarsi una perdita di controllo con conseguenti lesioni personali.

ISTRUZIONI PER LA SICUREZZA DEL PACCO BATTERIA





- a) Non smontare, aprire o strappare le cellule secondarie o il pacco batteria.**
- b) Non cortocircuitare un pacco batteria. Non conservare un pacco batteria disordinatamente in una scatola o un cassetto in cui potrebbero cortocircuitarsi tra essi o essere cortocircuitati da altri oggetti metallici.**

Quando il pacco batteria non è in uso, tenerlo lontano da altri oggetti metallici come graffette, monete, chiavi, chiodi, viti e altri piccoli oggetti metallici, potrebbe avverarsi un collegamento tra i due terminali. Collegare i terminali della batteria potrebbe causare incendi o ustioni.

- c) Non esporre il pacco batteria a calore o fuoco. Evitare di conservarli alla luce diretta del sole.**
- d) Non sottoporre il pacco batteria a scosse meccaniche.**
- e) In caso di perdite da una cellula, evitare che il liquido entri in contatto con la pelle o gli occhi. In caso di contatto, lavare l'area interessata con abbondante acqua e consultare un medico.**
- f) Tenere le cellule e il pacco batteria puliti e asciutti.**
- g) Pulire i terminali delle cellule e del pacco batteria con un panno pulito e asciutto nel caso in cui si sporchino.**
- h) Il pacco batteria deve essere caricato prima dell'uso. Utilizzare sempre il caricatore corretto e consultare le istruzioni.**
- i) Non lasciare un pacco batteria in carica se non in uso.**
- j) Dopo lunghi periodi di conservazione, potrebbe essere necessario caricare e scaricare le cellule o il pacco batteria diverse volte per ottenere le massime prestazioni.**
- k) Ricaricare solo con il caricatore specificato da Kress. Non utilizzare caricatori diversi da quelli forniti per l'uso specifico con l'apparecchiatura.**
- l) Non utilizzare un pacco batteria non progettato per l'uso con l'apparecchiatura.**

- m) **Tenere il pacco batteria fuori dalla portata dei bambini.**
- n) **Conservare i documenti originali del prodotto per riferimenti futuri.**
- o) **Rimuovere la batteria dall'apparecchiatura, se non in uso.**
- p) **Smaltire adeguatamente.**
- q) **Non mischiare batterie di diverse marche, capacità, dimensioni o tipologia nello stesso dispositivo.**
- r) **Tenere la batteria lontano da microonde e alta pressione.**

SIMBOLI

	Per ridurre il rischio di lesioni, l'utente deve leggere il manuale di istruzioni
	Attenzione
	Indossare una protezione per gli occhi
	Indossare una protezione per l'udito


	Indossare maschera antipolvere
	Non bruciare
	Le batterie potrebbero entrare nel ciclo dell'acqua se non siano smaltite in modo inappropriato, il che può essere pericoloso per l'ecosistema. Non smaltire le batterie usate come rifiuti urbani non differenziati.
	Batteria agli ioni di litio Questo prodotto è contrassegnato da un simbolo relativo alla "raccolta separata" per tutti i pacchi batteria e il pacco batteria. Quindi, sarà riciclata o smantellata per ridurre l'impatto sull'ambiente. I pacchi batteria possono essere pericolosi per l'ambiente e per la salute umana poiché contengono sostanze pericolose.
	I prodotti elettrici non possono essere gettati tra i rifiuti domestici. L'apparecchio da rottamare deve essere portato al centro di riciclaggio per un corretto trattamento. Controllare con le autorità locali o con il rivenditore per localizzare il centro di riciclaggio più vicino.

ELENCO DEI COMPONENTI

- 1. COMANDO DI ROTAZIONE AVANTI, INDIETRO E BLOCCO**
- 2. IMPUGNATURA MORBIDA**
- 3. MANOPOLA DI BLOCCO DEL PACCO BATTERIA***
- 4. PACCO BATTERIA***
- 5. INTERRUTTORE DI ACCENSIONE/ SPEGNIMENTO CON CONTROLLO A VELOCITÀ VARIABILE**
- 6. LED LAMPADA**
- 7. MANICOTTO DI BLOCCAGGIO**
- 8. MANOPOLA PER IL CONTROLLO ELETTRONICO DELLA VELOCITÀ**
- 9. INDICATORE DI POTENZA**

* Accessori illustrati o descritti non fanno necessariamente parte del volume di consegna.

DATI TECNICI

	KUB50.2
Voltaggio	12V  Max**
Velocità senza carico	0-3300/min

Frequenza d'impatto senza carico	0-1600/0-3500/0-4000bpm
Coppia massima	140Nm
Capacità del mandrino	6.35mm
Peso della macchina	0.88kg

** Tensione misurata senza carico di lavoro. La tensione iniziale della batteria raggiunge un massimo di 12 Volt. La tensione nominale è di 10.8 Volt.

INFORMAZIONI SUL RUMORE

Pressione acustica ponderata A	$L_{pA} = 78,0\text{dB(A)}$
Potenza acustica ponderata A	$L_{wA} = 89,0\text{dB(A)}$
$K_{pA} \& K_{wA}$	3dB(A)

Indossare protezione per le orecchie.

INFORMAZIONI SULLA VIBRAZIONE

I valori totali di vibrazione (somma vettoriale triassiale) sono determinati secondo lo standard EN 62841:

Valore emissione vibrazioni	$a_h = 4,728\text{m/s}^2$
	Incertezza K = 1,5m/s ²

Il valore totale di emissione di vibrazioni dichiarato e il valore di emissioni sonore dichiarati sono stati misurati in base a un metodo di collaudo standard e possono essere utilizzati per il confronto di un utensile con un altro.

Il valore totale di emissione di vibrazioni dichiarato e il valore di emissioni sonore dichiarato possono anche essere utilizzati in una valutazione preliminare dell'esposizione.



AVVERTENZA: le emissioni di vibrazioni e sonore durante l'uso effettivo dell'elettrotensile possono differire dal valore dichiarato in base alle modalità con cui esso viene utilizzato. In particolare quale tipo di pezzo viene lavorato dipende dai seguenti fattori e da altre variazioni sulle modalità di utilizzo dell'elettrotensile:

Come viene usato l'elettrotensile e quali sono i materiali tagliati o forati.

Le condizioni e la buona manutenzione dell'elettrotensile.

L'uso dell'accessorio corretto per il taglio e la sua affilatura, nonché le sue buone condizioni.

La tenuta della presa sulle impugnature e se vengono utilizzati eventuali accessori antivibrazioni e anturumore.

L'adeguatezza dell'utilizzo dell'elettrotensile rispetto a quanto previsto.

Questo elettrotensile potrebbe causare l'insorgenza della sindrome della vibrazione dell'avambraccio se il suo utilizzo non viene gestito correttamente.



AVVERTENZA: per essere precisi, una stima del livello di esposizione nelle attuali condizioni di utilizzo dovrebbe anche tenere conto di tutte le parti del ciclo operativo, come le volte in cui lo strumento viene spento e il tempo in cui viene lasciato girare a vuoto senza realmente fare il suo lavoro. Questo potrebbe ridurre significativamente il livello di esposizione sul periodo di

lavoro totale.

Aiuto a minimizzare il rischio di esposizione alle vibrazioni e al rumore.

Usare sempre scalpelli, trapani e lame affilati.

Conservare questo elettrotensile sempre in conformità a queste istruzioni e mantenerlo ben lubrificato (dove appropriato).

Se l'utensile deve essere utilizzato regolarmente, investire in accessori antivibrazioni e antirumore.

Pianificare il lavoro in modo da suddividere i lavori che implicano le maggiori vibrazioni nell'arco di più giorni.

ACCESSORI

	KUB50.2
2.0 Ah Pacco batteria al litio (KPB1202)	2
Caricabatterie (KCH1202)	1
Punte	1
Elemento della punta	1

Ti consigliamo di acquistare gli accessori nello stesso negozio dove compri l'utensile. Fare riferimento alla confezione degli accessori per ulteriori dettagli. Il personale del negozio può aiutarti e offrire consulenza.

ISTRUZIONI DI FUNZIONAMENTO



Nota: Leggere scrupolosamente il manuale delle istruzioni prima di usare l'attrezzo.

Uso

Questo utensile serve per fissare e allentare bulloni, dadi e vari elementi di fissaggio filettati.

PRIMA DELLA MESSA IN FUNZIONE

A) RICARICA DELLA BATTERIA

Il caricabatteria in dotazione è abbinato alla batteria agli ioni di litio installata nella macchina. Non utilizzare altri caricabatterie.

La batteria agli ioni di litio è protetta contro lo scaricamento completo.

Quando la batteria è scarica, l'apparecchio si spegne mediante un circuito di protezione: Il mandrino smette di girare.

In un ambiente a temperatura elevata o dopo un uso intenso, il pacco batteria potrebbe essere troppo caldo da non consentire la ricarica. Lasciare che la batteria si raffreddi prima di ricaricarla.

B) RIMOZIONE O INSTALLAZIONE DEL PACCO BATTERIA (VEDERE A)

Premere il pulsante di sgancio del pacco batteria per sganciarlo ed estrarlo (4) dall'utensile. Dopo la ricarica, riporre il pacco batteria nell'utensile facendolo scorrere in senso inverso. Una semplice e leggera pressione sarà sufficiente.

FUNZIONAMENTO

1. COME INSTALLARE E RIMUOVERE UNA PUNTA PER GIRAVITE E L'ATTACCO PER INSTALLARE LE PUNTE:

POUR FIXER DES EMBOUTS :

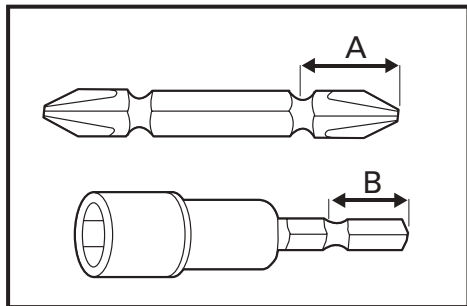
A). Quando si installa la punta del giravite, tirare l'attacco nella direzione della freccia e inserire la punta del giravite fino in fondo nell'incavo dello stesso. Quindi, rilasciare l'attacco per bloccare la punta del giravite. (Vedere Fig. B)

B). Quando si installa la punta del giravite, tirare l'attacco nella direzione della freccia, e inserire l'elemento della punta del giravite e la punta del giravite fino in fondo nell'incavo dello stesso. Quindi, rilasciare l'attacco per bloccare la punta del giravite. (Vedere Fig. C)

Nota: Utilizzare solo punte per giravite con gli inserti illustrati

Per utensili dotati di foro profondo per le punte

A=17mm B=14mm	Quando si utilizza questo tipo di punte, seguire i passaggi di installazione mostrati nella Fig. B.
A=12mm B=9mm	Quando si utilizza questo tipo di punte, seguire i passaggi di installazione mostrati nella Fig. C. Nota: È necessario l'elemento della punta per giravite.



Per rimuovere le punte:


Quando si rimuove la punta del giravite, tirare l'attacco nella direzione della freccia come mostrato nella Fig. B/C ed estrarre la punta del giravite.

2. BLOCCO DELL'INTERRUTTORE

Per il blocco dell'interruttore viene utilizzata una tecnica direzionale elettromagnetica completamente nuova, più affidabile della struttura direzionale meccanica; quando la leva del cambio è in posizione centrale, l'alimentazione della macchina si interrompe completamente, e premendo energicamente il pulsante la macchina non si avvia. Questa funzione è utile per impedire l'avvio accidentale della macchina quando non è in uso..

3. INVERTIBILE

Per forare e avvitare utilizzare la rotazione in avanti contrassegnata con “” (la leva viene posizionata

a sinistra). Utilizzare la rotazione inversa contrassegnata con “” (la leva viene posizionata a destra) solo per rimuovere le viti o rilasciare una punta incastrata.

⚠ Avvertenza: Non cambiare mai il senso di rotazione mentre il mandrino sta ruotando, attendere prima che si fermi!

4. LUCE LED (6)

Per accendere la luce è sufficiente premere l'interruttore di accensione/spengimento (5). Quando si rilascia l'interruttore di accensione/spengimento, la luce si spegne. L'illuminazione a LED aumenta la visibilità, ideale per aree buie o confinate. Lampeggia se il livello di potenza è basso.

5. MANOPOLA PER IL CONTROLLO ELETTRONICO DELLA VELOCITÀ (8)

Se durante il funzionamento della macchina la manopola per il controllo elettronico della velocità è bloccata, la velocità non può essere regolata.

MANUTENZIONE

L'attrezzo non richiede di lubrificazione o manutenzione aggiuntiva.

All'interno dell'attrezzo non ci sono parti riparabili da parte dell'utente. Non usare mai acqua o detergenti chimici per pulire l'attrezzo. Pulire con un panno asciutto. Immagazzinare sempre gli attrezzi in luoghi asciutti. Tenere pulite le aperture di ventilazione del motore. Tenere puliti dalla polvere tutti i controlli operativi. La formazione di scintille all'interno delle aperture di ventilazione, è un fenomeno normale che non crea danni all'attrezzo.

PER GLI UTENSILI A BATTERIA

La temperatura ambientale raccomandata per l'uso e la conservazione dell'utensile e della batteria è di 0°C-45°C.

La temperatura ambientale raccomandata per il caricabatterie durante la carica è di 0°C-40°C.

TUTELA AMBIENTALE



I prodotti elettrici non possono essere gettati tra i rifiuti domestici. L'apparecchio da rottamare deve essere portato al centro di riciclaggio per un corretto trattamento. Controllare con le autorità locali o con il rivenditore per localizzare il centro di riciclaggio più vicino.

DICHIARAZIONE DI CONFORMITÀ

NOI,
POSITEC Germany GmbH
Postfach 32 02 16, 50796 Cologne, Germany

Dichiara che l'apparecchio ,
Descrizione **Trapano a batteria**
Codice **KUB50.2 (B50- designazione A del macchinario, rappresentativa del giravite)**
funzione **Stringere e allentare viti, dadi**

È conforme alle seguenti direttive,
2006/42/EC
2011/65/EU&(EU)2015/863
2014/30/EU

conforme a,
EN 55014-1
EN 55014-2
EN 62841-1
EN 62841-2-2

Il responsabile autorizzato alla compilazione della documentazione tecnica,

Nome Marcel Filz
Indirizzo Positec Germany GmbH
Postfach 32 02 16, 50796 Cologne, Germany



2022/03/11
Allen Ding
Vice capo ingegnere, testing e certificazione
Positec Technology (China) Co., Ltd
18, Dongwang Road, Suzhou Industrial
Park, Jiangsu 215123, P. R. China

**MANUAL ORIGINAL
SEGURIDAD DEL PRODUCTO
ADVERTENCIAS DE SEGURIDAD GENERALES
SOBRE HERRAMIENTAS ELÉCTRICAS**



ADVERTENCIA: Lea todas las advertencias de seguridad, instrucciones, ilustraciones y especificaciones que acompañan a esta herramienta eléctrica. Si no se respetan todas las instrucciones que se indican abajo, podría producirse una descarga eléctrica, un incendio o alguien podría resultar herido de gravedad.

Conserve todas las advertencias e instrucciones para futuras consultas.

El término "herramienta eléctrica" en todas las advertencias siguientes corresponde a la herramienta eléctrica con o sin cable.

1) ZONA DE TRABAJO

- a) **Mantener su lugar de trabajo limpio y bien iluminado.** Bancos de trabajo desordenados y lugares oscuros invitan a los accidentes.
- b) **No utilizar herramientas eléctricas en atmósferas explosivas, como por ejemplo en presencia de líquidos inflamables, gases o polvo.** Las herramientas eléctricas crean chispas que pueden encender el polvo o los vapores.
- c) **Mantener alejados a los niños y visitantes mientras opera una herramienta eléctrica.** Las distracciones pueden hacerle perder el control.

2) SEGURIDAD ELÉCTRICA

- a) **Los enchufes de la herramienta eléctrica deben encajar perfectamente en el**

tomacorriente. Nunca modificar el enchufe de ninguna manera. No utilizar adaptadores con herramientas eléctricas conectadas a tierra. Los enchufes no modificados y los que encajan perfectamente en el tomacorriente reducirán el riesgo de descarga eléctrica.

- b) **Evitar el contacto del cuerpo con superficies conectadas a tierra tales como caños, radiadores, cocinas y heladeras.** Existe un riesgo creciente de descarga eléctrica si su cuerpo queda conectado a tierra.
 - c) **No exponer las herramientas eléctricas a la lluvia y no guardar en lugares húmedos.** El agua que penetra en ellas aumentará el riesgo de una descarga eléctrica.
 - d) **No abusar del cable. Nunca utilizar el cable para transportar, tirar o desenchufar la herramienta eléctrica. Mantener el cable alejado del calor, del aceite, de bordes agudos o piezas móviles.** Los cables dañados o enredados aumentan el riesgo de descarga eléctrica.
 - e) **Cuando utilice su herramienta eléctrica al aire libre, emplear un prolongador apto para uso en exteriores.** El empleo de cables para uso al aire libre reduce el riesgo de descarga eléctrica.
 - f) **Si es necesario utilizar la herramienta motorizada en un lugar muy húmedo, utilice una fuente de alimentación con dispositivo de corriente residual (RCD).** El uso de un RCD reduce el riesgo de descarga eléctrica.
- 3) SEGURIDAD PERSONAL**
- a) **Mantenerse alerta, poner atención en lo que está haciendo y utilice el sentido común mientras opera una herramienta eléctrica. No**

- emplear la herramienta cuando se encuentre cansado o bajo la influencia de drogas, alcohol o medicación.** *Un momento de falta de atención durante el manejo de herramientas eléctricas puede dar lugar a daños corporales serios.*
- b) Utilizar equipo de seguridad. Usar siempre protección ocular.** *Equipo de seguridad como máscaras contra el polvo, zapatos antideslizantes de seguridad, sombrero o protección auditiva para condiciones apropiadas reducirá daños corporales.*
- c) Evite el arranque accidental. Asegúrese de que el interruptor se encuentra desactivado antes de enchufar la máquina o colocar la batería, al tomar la herramienta o transportarla.** *Transportar herramientas con el dedo en el interruptor o enchufar la herramienta cuando el interruptor está encendido invitan a los accidentes.*
- d) Retire llaves de ajuste o llaves inglesas antes de poner la herramienta en funcionamiento.** *Una llave que queda unida a una pieza móvil de la herramienta puede originar daños corporales.*
- e) No extralimitarse. Mantenerse firme y con buen equilibrio en todo momento.** *Esto permite un mejor control de la herramienta en situaciones inesperadas.*
- f) Vestirse apropiadamente. No usar ropa suelta ni alhajas. Mantenga el pelo, la ropa y los guantes alejados de las piezas en movimiento.** *La ropa suelta, las alhajas o el cabello largo pueden ser atrapados por las piezas móviles.*
- g) Si se proporcionan dispositivos para la extracción y recolección de polvo, asegurarse de que estos estén conectados y utilizados correctamente.** *El uso de estos dispositivos puede reducir peligros relacionados con el polvo.*
- h) No permita que el hecho de estar familiarizado con el uso de herramientas le haga volverse descuidado o ignorar las normas de seguridad.** *La falta de atención puede provocar heridas graves en una fracción de segundo.*
- 4) MANTENIMIENTO de la HERRAMIENTA MOTORIZADA**
- a) No forzar la herramienta eléctrica. Utilizar la herramienta eléctrica correcta para su aplicación.** *La herramienta eléctrica correcta hará el trabajo mejor y más seguro a la velocidad para la cual fue diseñada.*
- b) No utilizar la herramienta eléctrica si el interruptor no la enciende o apaga.** *Cualquier herramienta eléctrica que no pueda ser controlada con el interruptor es peligrosa y debe ser reparada.*
- c) Desconecte la clavija de la fuente de alimentación o extraiga la batería (si es desmontable) de la herramienta eléctrica antes de realizar cualquier ajuste, cambiar los accesorios o guardar la herramienta.** *Tales medidas de seguridad preventivas reducen el riesgo de arranque accidental de la herramienta.*
- d) Mantener las herramientas eléctricas que no usa fuera del alcance de los niños y no permita que personas no familiarizadas con la herramienta o con estas instrucciones maneje la herramienta eléctrica.** *Las herramientas eléctricas son peligrosas en manos de usuarios inexpertos.*
- e) Realice un mantenimiento adecuado de las herramientas eléctricas y sus accesorios. Comprobar si hay desalineamiento o atascamiento de piezas móviles, rotura de**

piezas en general y cualquier otra condición que pueda afectar la operación normal de la herramienta. *Si se verifican daños, recurra a un servicio calificado antes de volver a usar la herramienta. Las herramientas mal mantenidas causan muchos accidentes.*

- f) **Mantener las piezas de corte limpias y afiladas.** *Puesto que son menos probables de atascarse y más fáciles de controlar.*
- g) **Utilizar la herramienta eléctrica, accesorios y brocas etc., de acuerdo con estas instrucciones y de la manera prevista para el tipo particular de herramienta eléctrica, teniendo en cuenta las condiciones de trabajo y el trabajo a ser realizado.** *El uso de la herramienta eléctrica para otras operaciones distintas de lo previsto podría dar lugar a una situación peligrosa.*
- h) **Mantenga las empuñaduras y las superficies de agarre secas, limpias y sin aceite ni grasa.** *Una empuñadura o una superficie de agarre resbaladiza dificultan la correcta manipulación y el control de la herramienta en situaciones imprevistas.*

5) UTILIZACIÓN Y MANTENIMIENTO DE LA BATERÍA

- a) **Recargar solamente con el cargador indicado por el fabricante.** *Un cargador adaptado a un tipo de batería podría crear un riesgo de incendio si se utiliza con una diferente batería.*
- b) **Utilizar las herramientas eléctricas solamente con baterías especialmente adaptadas.** *La utilización de cualquier otra batería podría causar un riesgo de incendio o herida.*
- c) **Cuando la batería no está en uso, tenerla**

lejos de los objetos metálicos como los trombones, las piezas de moneda, las llaves, los clavos, los tornillos, o cualquier otro pequeño objeto metálico susceptibles de establecer una conexión de un terminal a otra. *El cortocircuito de un terminal a otra puede causar quemaduras o un incendio.*

- d) **Hay una fuga de líquido de la batería. Evitar todo contacto. Si entre accidentalmente en contacto con este líquido, lavar con agua limpia. En caso de contacto con los ojos, consultar a un médico.** *El líquido presente en las baterías puede causar irritaciones o quemaduras.*
- e) **No utilice una batería o una herramienta que estén dañadas o hayan sido modificadas. Las baterías dañadas y modificadas pueden comportarse de forma imprevisible y provocar un incendio, una explosión o herir a alguien.**
- f) **No arroje una batería o herramienta al fuego ni las exponga a una temperatura excesiva.** *La exposición al fuego y a temperaturas superiores a 130 °C puede provocar una explosión.*
- g) **Respete todas las instrucciones de carga y no cargue la batería o la herramienta fuera del rango de temperatura especificado en las instrucciones.** *Una carga inadecuada o a una temperatura fuera del rango especificado puede ocasionar daños en la batería y aumentar el riesgo de incendio.*
- 6) **Reparación**
- a) **Permitir que el mantenimiento de su herramienta eléctrica sea efectuado por una persona calificada usando solamente piezas de recambio idénticas.** *Esto es primordial para mantener la seguridad de la herramienta eléctrica.*

- b) No intente reparar nunca una batería dañada.**
Cualquier intervención técnica en una batería debe ser realizada exclusivamente por el fabricante o por un servicio técnico autorizado.

ADVERTENCIA SOBRE LA SEGURIDAD DEL ATORNILLADOR

- 1. Asegurar la herramienta adecuadamente antes de usarla.** Esta herramienta produce un alto par de salida y si no se sujeta correctamente la herramienta cuando se utiliza, puede perder el control y causar lesiones personales.

ADVERTENCIAS DE SEGURIDAD PARA LA BATERÍA

- a) No desmonte, abra o destruya las pilas o las baterías recargables.**
- b) No provoque un cortocircuito en la batería. No almacene las baterías de forma descuidada en una caja o cajón donde podría provocar un cortocircuito entre ellas o mediante otros objetos metálicos.** Cuando la batería no esté siendo utilizada, manténgala alejada de objetos metálicos, como clips de papel, monedas, llaves, clavos, tornillos u otros objetos metálicos pequeños, que pueden posibilitar la conexión de un borne con otro. Al provocar un cortocircuito con los bornes de la batería se pueden sufrir quemaduras o generar un incendio.
- c) No exponga las baterías al calor o al fuego. No las guarde expuestas directamente al sol.**
- d) No exponga las baterías a impactos mecánicos.**
- e) En caso de que la batería tenga fugas de líquido, no permita que el líquido entre en contacto con la piel o los ojos. Si se produce el contacto, lave la zona afectada con grandes cantidades de agua y acuda a un médico.**
- f) Mantenga las baterías limpias y secas.**
- g) Limpie los bornes de la batería con un paño limpio si se ensucian.**
- h) Cargue la batería antes de utilizarla. Consulte siempre estas instrucciones y aplique el procedimiento de carga adecuado.**
- i) No deje la batería cargándose durante prolongados períodos de tiempo cuando no se utilice.**
- j) Después de prolongados períodos de almacenamiento, puede que sea necesario cargar y descargar la batería varias veces para obtener el máximo rendimiento.**
- k) Recargue solo con el cargador indicado por Kress. No utilice ningún otro cargador que no sea el específicamente proporcionado para el uso con este equipo.**
- l) No utilice ninguna batería distinta a la diseñada para utilizarse con el aparato.**
- m) Mantenga la batería fuera del alcance de los niños.**
- n) Conserve la documentación original del producto por si tuviera que consultarla en otro momento.**
- o) Extraiga la batería del aparato cuando no lo utilice.**
- p) Deshágase del producto correctamente.**
- q) No se deben mezclar pilas de diferentes fabricantes, capacidad, tamaño o tipo en un mismo dispositivo.**

r) **Mantener la batería lejos de microondas y de alta presión.**

SÍMBOLOS

	Para reducir el riesgo de lesión, lea el manual de instrucciones
	Advertencia
	Utilizar protección ocular
	Llevar protecciones auditivas
	Utilizar una máscara antipolvo
	No incinerar



Las baterías pueden entrar en el ciclo del agua si se desechan incorrectamente, lo que puede ser peligroso para el ecosistema. No deseché las baterías usadas como residuos municipales sin clasificar.



Li-Ion



Batería de ion de litio. Este producto se ha marcado con un símbolo relacionado con la "colección separada" para todos los paquetes de baterías y paquetes de baterías. Luego se reciclará o desmontará para reducir el impacto en el medio ambiente. Los paquetes de baterías pueden ser peligrosos para el medio ambiente y para la salud humana, ya que contienen sustancias peligrosas.




Los residuos de aparatos eléctricos y electrónicos no deben depositarse en la basura doméstica. Se deben reciclar en las instalaciones especializadas. Consulte a las autoridades locales o el establecimiento para saber cómo reciclar estos productos.

LISTA DE COMPONENTES

- CONTROL DE ROTACIÓN DE AVANCE, RETROCESO Y BLOQUEO**
- EMPUÑADURA ERGONÓMICA**
- PERILLA DE BLOQUEO DE LA BATERÍA***
- PAQUETE DE BATERIA***
- INTERRUPTOR DE ENCENDER/APAGAR CON CONTROL DE VELOCIDAD VARIABLE**
- LÁMPARA LED**
- MANGUITO DE BLOQUEO DEL PORTAHERRAMIENTAS**
- MANDO DE CONTROL ELECTRÓNICO DE VELOCIDAD**
- INDICADOR DE ENERGÍA**

* Los accesorios ilustrados o descritos pueden no corresponder al material suministrado de serie con el aparato.

CARACTERÍSTICAS TÉCNICAS

	KUB50.2
Tensión nominal	12V  Max**
velocidad sin carga nominal	0-3300/min

Rango de impacto	0-1600/0-3500/0-4000bpm
Par de apriete máx	140Nm
Capacidad del portabrocas	6.35mm
Peso de la máquina	0.88kg

** Voltaje medido sin carga. El voltaje inicial máximo de la batería es de 12 voltios. El voltaje nominal es de 10.8 voltios.

INFORMACIÓN DE RUIDO

Nivel de presión acústica de ponderación	$L_{pA} = 78,0\text{dB(A)}$
Nivel de potencia acústica de ponderación	$L_{wA} = 89,0\text{dB(A)}$
K_{pA} & K_{wA}	3dB(A)

Utilice protección auditiva.

INFORMACIÓN DE VIBRACIÓN

Valores totales de vibración (suma vectorial triangular) determinados según la norma EN 62841:

Valor de emisión de vibración	$a_h = 4,728\text{m/s}^2$
	Incertidumbre $K = 1,5\text{m/s}^2$

El valor total de vibraciones declarado y el valor de emisiones acústicas declarado se han medido de conformidad con un método de prueba estándar y pueden utilizarse para realizar comparaciones entre herramientas. El valor total de vibraciones declarado y el valor de emisiones acústicas declarado también pueden utilizarse en una evaluación preliminar de la exposición.



ADVERTENCIA: Las vibraciones y las emisiones acústicas que se producen durante el uso de la herramienta eléctrica pueden variar respecto a los valores declarados en función de cómo se utilice la herramienta, especialmente dependiendo del tipo de pieza de trabajo que se procese y de otras formas de usar la herramienta: Cómo se utiliza la herramienta y se cortan o perforan los materiales.

Si la herramienta se encuentra en buenas condiciones de mantenimiento.

Si se utiliza el accesorio correcto para la herramienta y se garantiza que está afilado y en buenas condiciones. La firmeza de sujeción de las empuñaduras, y el uso de accesorios para reducir las vibraciones y el ruido. Y si la herramienta se utiliza según su diseño y estas instrucciones.

Esta herramienta podría causar síndrome de vibración del brazo y la mano si no se utiliza correctamente.



ADVERTENCIA: Para conseguir una mayor precisión, debe tenerse en cuenta una estimación del nivel de exposición en condiciones reales de todas las partes del ciclo de uso, como los tiempos durante los que la herramienta está apagado o cuando está en funcionamiento pero no está realizando ningún trabajo. Ello

podría reducir notablemente el nivel de exposición sobre el periodo de carga total.

Minimización del riesgo de exposición a las vibraciones y el ruido.

Utilice SIEMPRE cinceles, brocas y cuchillas afiladas.

Mantenga esta herramienta de acuerdo con estas instrucciones y bien lubricada (si es necesario).

Si la herramienta se va a utilizar de forma habitual, se recomienda adquirir accesorios para reducir las vibraciones y el ruido.

Planifique su programa de trabajo para distribuir el uso de la herramienta a lo largo de varios días.

ACCESORIOS

	KUB50.2
Pack de baterías de litio de 2.0Ah (KPB1202)	2
Cargador de (KCH1202)	1
Puntas de atornillador	1
Elemento de la punta de atornillador	1

Le recomendamos que compre sus accesorios en la misma tienda que compró la herramienta. Consulte el paquete de accesorios para obtener más detalles. El personal de la tienda puede ayudarlo y ofrecerle asesoramiento.

INSTRUCCIONES DE FUNCIONAMIENTO



Nota: Antes de usar la herramienta lea el manual de instrucciones detenidamente.

Uso

Esta herramienta está pensada para sujetar y aflojar pernos, tuercas y diversos sujetadores roscados.

ANTES DE PONER EN FUNCIONAMIENTO

A) CARGAR LA BATERÍA

El cargador de batería suministrado coincide con la batería de iones de litio instalada en la máquina. No use otro cargador de batería.

La batería de iones de litio está protegida contra las descargas profundas.

Cuando la batería está vacía, la máquina se apaga por medio de un circuito protector: El portabrocas ya no gira. En un ambiente cálido o tras un uso intensivo, el paquete de baterías puede calentarse demasiado como para permitir la carga. Deje tiempo para que la batería se enfríe antes de recargar.

B) PARA RETIRAR O INSTALAR UN PAQUETE DE BATERÍAS (VER FIG. A)

Para liberar el paquete de baterías, oprima el botón de liberación del paquete de baterías y deslice el paquete de baterías (4) hacia fuera de la herramienta. Después de recargar, deslícela nuevamente hacia dentro de la herramienta. Un simple empujón y una ligera presión serán suficientes.

OPERACIÓN

1. CÓMO INSTALAR Y RETIRAR UNA PUNTA Y UN VASO DE ATORNILLADOR PARA INSTALAR PUNTAS:

A) Cuando se instala la punta de atornillador, hay que tirar del casquillo en la dirección de la flecha e insertar la punta de atornillador hasta el fondo de la cavidad.

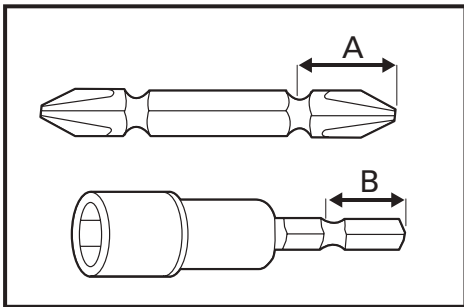
Luego, liberar el casquillo para trabar la punta de atornillador. (Véase la Fig. B)

B) Cuando se instala la punta de atornillador, tirar del casquillo en la dirección de la flecha e insertar el elemento de punta de atornillador y la punta de atornillador hasta el fondo de la cavidad. Luego, liberar el casquillo para trabar la punta de atornillador. (Véase la Figura C)

Nota: Usar únicamente las puntas de atornillador con los insertos ilustrados

Para herramientas con orificio profundo para puntas de atornillador

A=17mm B=14mm	Cuando se usa este tipo de puntas de atornillador, hay que seguir los pasos de instalación mostrados en la Fig. B.
A=12mm B=9mm	Cuando se usa este tipo de puntas de atornillador, seguir los pasos de instalación mostrados en la Fig. C. Nota: Se requiere un elemento de punta de atornillador.



Para retirar las puntas:

Cuando se retira la punta de atornillador, tirar del casquillo en la dirección de la flecha mostrada en la Fig. B/C y extraer la punta de atornillador.

2. BLOQUEO DEL INTERRUPTOR

Para el bloqueo del interruptor se usa una técnica direccional electromagnética completamente nueva, que es más fiable que la estructura direccional mecánica; el suministro de energía de la máquina se cortará completamente cuando la palanca de cambio esté en la posición central, y la máquina no arrancará cuando se pulse a la fuerza el botón; esta función es útil para impedir que la máquina arranque accidentalmente cuando no está en uso.

3. REVERSIBLE

Para perforar y atornillar, usar la rotación de avance

marcada "◀◀" (la palanca se mueve a la izquierda). Usar únicamente la rotación inversa marcada "▶▶" (la palanca se mueve a la derecha) para retirar tornillos o liberar una broca atascada.

⚠ Advertencia: No cambiar nunca el sentido de rotación cuando el portabrocas esté girando, ¡hay que esperar a que se detenga!

4. LUZ LED (6)

Para encender la luz simplemente pulsar el interruptor de encender/apagar (5). Cuando se suelta el interruptor de encender/apagar, la luz se apaga. La iluminación LED aumenta la visibilidad para zonas oscuras o encerradas. Destellará cuando haya poca energía.

5. MANDO DE CONTROL ELECTRÓNICO DE LA VELOCIDAD (8)

La velocidad no se puede ajustar durante el funcionamiento de la máquina si el mando de control electrónico de velocidad está bloqueado.

MANTENIMIENTO

Su herramienta eléctrica no requiere de lubricación ni mantenimiento adicional.

No posee piezas en su interior que deban ser reparadas por el usuario. Nunca emplee agua o productos químicos para limpiar su herramienta. Use simplemente un paño seco. Guarde siempre su herramienta en un lugar seco. Mantenga limpias las ranuras de ventilación del motor. Mantenga todos los controles de funcionamiento libres de polvo. La observación de chispas que destellan bajo las ranuras de ventilación indica un funcionamiento normal que no dañará su herramienta.


PARA LAS HERRAMIENTAS A BATERÍA

El rango de temperatura ambiente de funcionamiento y almacenamiento para la herramienta y la batería es de 0°C-45°C.

El rango de temperatura ambiente recomendado para el Sistema de carga durante el proceso de carga es de 0°C-40°C.

PROTECCION AMBIENTAL



Los residuos de aparatos eléctricos y electrónicos no deben depositarse en la basura doméstica. Se deben  reciclar en las instalaciones especializadas. Consulte a las autoridades locales o el establecimiento para saber cómo reciclar estos productos.

DECLARACIÓN DE CONFORMIDAD

Los que reciben,
POSITEC Germany GmbH
Postfach 32 02 16, 50796 Cologne, Germany

Declaran que el producto
Descripción **Taladro alimentado por batería**
Modelo **KUB50.2 (B50- designación de maquinaria, representativa del atornillador)**
Función **Apretar y aflojar tornillos y tuercas**

Cumple con las siguientes Directivas:

2006/42/EC

2011/65/EU&(EU)2015/863

2014/30/EU

Normativas conformes a

EN 55014-1

EN 55014-2

EN 62841-1

EN 62841-2-2

La persona autorizada para componer el archivo técnico,

Nombre Marcel Filz

Dirección Positec Germany GmbH

Postfach 32 02 16, 50796 Cologne, Germany



2022/03/11


Allen Ding

Ingeniero Jefe Adjunto. Pruebas y Certificación.
Positec Technology (China) Co., Ltd
18, Dongwang Road, Suzhou Industrial
Park, Jiangsu 215123, P. R. China

ES

53

**MANUAL ORIGINAL
SEGURANÇA DO PRODUTO
AVISOS GERAIS DE SEGURANÇA DE FERRAMENTAS
ELÉCTRICAS**

 **AVISO** Leia todos os avisos de segurança, instruções, ilustrações e especificações fornecidos com esta ferramenta eléctrica. Caso não siga todas as instruções listadas de seguida poderá resultar *em choque eléctrico, incêndio e/ou lesões graves.*

Guarde estas instruções para referência futura. Os termos “ferramenta eléctrica” utilizados em todos os avisos constantes destas instruções referem-se à sua ferramenta eléctrica accionada por bateria (sem cabo de alimentação).

PT

54

1) LOCAL DE TRABALHO

- a) **Mantenha o local de trabalho limpo e bem arrumado.** Áreas com pouca iluminação e desordenadas podem provocar acidentes.
- b) **Não utilize o aparelho em locais onde existam líquidos, gases ou poeiras inflamáveis e onde exista o risco de explosão.** As ferramentas eléctricas produzem faíscas que podem inflamar poeiras ou gases.
- c) **Mantenha as pessoas e particularmente as crianças afastadas da ferramenta eléctrica durante o seu funcionamento.** Qualquer distração pode fazê-lo perder o controlo do berbequim.

2) SEGURANÇA ELÉCTRICA

- a) **A ficha do berbequim deve encaixar bem na tomada de alimentação. Nunca modifique**

fichas, seja de que maneira for. Não utilize nenhuma ficha de adaptação com ferramentas eléctricas que tenham ligação à terra. *Fichas não modificadas e tomadas de corrente adequadas reduzem o risco de choque eléctrico.*

- b) **Evite o contacto do corpo com superfícies ligadas à terra como tubos, aquecedores, fogões e frigoríficos.** *Existe um aumento do risco de choque eléctrico se o seu corpo estiver em contacto com a terra ou a massa.*
 - c) **Não exponha este equipamento à chuva ou humidade.** *A infiltração de água num aparelho eléctrico aumenta o risco de choque eléctrico.*
 - d) **Não maltrate o cabo de alimentação. Nunca utilize o cabo para transportar, puxar ou desligar o aparelho da tomada de corrente. Mantenha o cabo afastado de fontes de calor, óleos, arestas afiadas ou peças em movimento.** *Cabos danificados ou enredados aumentam o risco de choque eléctrico.*
 - e) **Quando trabalhar com uma ferramenta eléctrica ao ar livre, use um cabo de extensão adequado para utilização no exterior.** *A utilização de um cabo adequado para uso exterior reduz o risco de choque eléctrico.*
 - f) **Se não puder evitar a utilização de uma ferramenta eléctrica num local húmido, utilize uma fonte de alimentação protegida contra corrente residual.** *A utilização de um dispositivo com protecção contra corrente residual reduz o risco de choque eléctrico.*
- 3) SEGURANÇA DE PESSOAS**
- a) **Esteja atento, observe o que está a fazer e seja prudente sempre que trabalhar com**

- uma ferramenta eléctrica. Não utilize nunca uma ferramenta eléctrica quando estiver cansado ou sob a influência de drogas, álcool ou medicamentos.** *Um momento de desatenção quando se utiliza uma ferramenta eléctrica pode causar lesões graves.*
- b) Utilize equipamentos de segurança. Use sempre óculos de protecção.** *Equipamentos de segurança, tais como máscaras protectoras, sapatos de sola antiderrapante, capacetes ou protecções auriculares devidamente utilizados reduzem o risco de lesões.*
- c) Evite o arranque accidental da ferramenta. Certifique-se de que o comutador de alimentação está desligado antes de ligar a ferramenta à fonte de alimentação e/ou à bateria, antes de pegar nela ou antes de a transportar.** *Se mantiver o dedo no interruptor ou accionar o aparelho enquanto este estiver ligado podem ocorrer acidentes.*
- d) Remova quaisquer chaves de ajuste ou de porcas antes de ligar a ferramenta eléctrica.** *Chaves de porcas ou de ajuste fixadas a peças móveis do berbequim podem causar lesões.*
- e) Não exceda as suas próprias capacidades.** *Mantenha sempre o corpo em posição firme e de equilíbrio, o que lhe permite controlar melhor a ferramenta eléctrica em situações imprevistas.*
- f) Use roupa apropriada. Não use vestuário solto ou artigos de joalheria. Mantenha o cabelo e as roupas e luvas afastados das peças móveis.** *Roupas soltas, artigos de joalheria ou cabelos compridos podem ser agarrados por peças em movimento.*
- g) Se forem fornecidos dispositivos para a montagem de unidades de extracção ou recolha de resíduos, Assegure-se de que são montados e utilizados adequadamente.** *A utilização destes dispositivos pode reduzir os perigos relacionados com a presença de resíduos.*
- h) Não permita que a familiaridade obtida do uso frequente de ferramentas o tornem complacente o o faça ignorar os princípios de segurança da ferramenta.** *Uma ação descuidada pode causar lesões graves numa fração de segundo.*
- 4) UTILIZAÇÃO E MANUTENÇÃO DA FERRAMENTA ELÉCTRICA**
- a) Não force a ferramenta. Utilize a ferramenta eléctrica apropriada para cada aplicação.** *A utilização da ferramenta eléctrica apropriada executa o trabalho de forma melhor e mais segura, à velocidade para a qual foi concebida.*
- b) Não utilize esta ferramenta se o interruptor estiver deficiente, não ligando ou desligando.** *Qualquer ferramenta eléctrica que não possa ser controlada pelo interruptor é perigosa e deve ser reparada.*
- c) Desligue a ficha da tomada eléctrica e/ou remova o conjunto de pilhas, caso seja possível removê-lo, da ferramenta eléctrica antes de realizar quaisquer ajustes, substituir acessórios ou armazenar ferramentas eléctricas.** *Estas medidas de segurança preventivas reduzem o risco de activação accidental da ferramenta.*
- d) Quando não estiver a usar a ferramenta eléctrica, guarde-a fora do alcance das crianças e não deixe que esta seja utilizada por pessoas que não a conheçam, nem tenham**

lido as instruções. As ferramentas eléctricas são perigosas nas mãos de utilizadores inexperientes.

- e) **Realize a manutenção de ferramentas eléctricas e acessórios. Verifique quaisquer desalinhamentos, encaixes de peças móveis, quebras e outras condições que possam afectar o funcionamento. Se esta ferramenta estiver avariada, mande-a reparar antes a utilizar.** Muitos acidentes são causados pela manutenção deficiente de ferramentas eléctricas.
- f) **Mantenha as ferramentas de corte limpas e afiadas.** As ferramentas de corte com manutenção adequada e arestas de corte afiadas têm menos probabilidades bloquear e são mais fáceis de controlar.
- g) **Utilize a ferramenta eléctrica, acessórios, brocas, etc. em conformidade com estas instruções e da forma prevista para este tipo específico de ferramenta, tendo em conta as condições presentes e o trabalho a executar.** A utilização de ferramentas eléctricas para aplicações diferentes daquelas a que se destinam pode levar a situações de perigo.
- h) **Mantenha as pegas e as superfícies de aderência secas, limpas e sem óleo e massa lubrificante.** As pegas e superfícies de aderência escorregadias não permitem o manuseamento e controlo seguros da ferramenta em situações inesperadas.

5) USO E TRATAMENTO DE APARELHOS COM ACUMULADOR

- a) **Apenas deverá carregar em carregadores, acumuladores recomendados pelo fabricante.** Um carregador que é apropriado para um tipo de acumulador, pode causar um incêndio se se for

utilizado para carregar outros acumuladores.

- b) **Apenas utilize nas ferramentas eléctricas os acumuladores previstos.** A utilização de outros acumuladores pode levar a lesões e riscos de incêndio.
- c) **Quando o acumulador não estiver em uso, mantenha-o afastado de outros objectos de metal, como por exemplo agrafos, moedas, chaves, pregos, parafusos, ou outros pequenos objectos metálicos que possam ligar em ponte os contactos.** Um curto circuito entre os contactos do acumulador pode causar queimaduras ou incêndio.
- d) **Aplicações inadequadas podem provocar fugas do líquido do acumulador. Evite o contacto com este líquido. No caso de um contacto accidental, lave imediatamente com água fresca. Se o líquido entrar em contacto com os olhos, procure um auxílio médico.** O líquido que escapa do acumulador pode levar a irritações ou queimaduras da pele.
- e) **Não utilize um conjunto de baterias ou ferramenta que esteja danificado ou tenha sido modificado.** As baterias danificadas ou modificadas podem exibir um comportamento imprevisível, resultando em incêndio, explosão ou risco de lesão.
- f) **Não exponha um conjunto de baterias ou ferramenta ao fogo ou temperatura excessiva.** A exposição ao fogo ou temperatura superior a 130 °C pode causar explosão.
- g) **Siga todas as instruções de carregamento e não carregue o conjunto das baterias ou ferramenta fora do intervalo de temperatura especificado nas instruções.** O carregamento

indevido ou a temperatura fora do intervalo especificado pode danificar a bateria e aumentar o risco de incêndio.

6) ASSISTÊNCIA TÉCNICA

- a) **A sua ferramenta eléctrica só deve ser reparada por um técnico de assistência qualificado e devem ser apenas utilizadas peças de substituição genuínas, mantendo assim a segurança da ferramenta.**
- b) **Nunca faça a manutenção de conjuntos de baterias danificados.** *A manutenção de conjuntos de baterias só deve ser efetuado pelo fabricante ou prestadores de serviço autorizados.*

AVISO DE SEGURANÇA PARA A CHAVE DE PARAFUSOS

- 1. **Segure corretamente a ferramenta antes de usar.** Esta ferramenta produz um binário de saída alto e, se não segurar corretamente a ferramenta durante o funcionamento, poderá perder o controlo resultando em ferimentos pessoais.

AVISOS DE SEGURANÇA PARA A BATERIA






- a) **Não desmonte, abra ou corte as células da bateria.**
- b) **Não submeta a bateria a curto-circuitos. Não armazene as baterias ao acaso numa caixa ou gaveta onde possam provocar um curto-circuito ou submetidas a curto-circuitos por materiais condutores.** Quando não estiver a utilizar a bateria, mantenha-a afastada de outros objectos





metálicos, como cliques, moedas, chaves, pregos, parafusos ou outros pequenos objectos de metal, que possam realizar uma ligação de um terminal a outro. Um curto-circuito dos terminais da bateria pode provocar queimaduras ou um incêndio.

- c) **Não exponha a bateria ao calor ou a incêndios. Evite o armazenamento à exposição de luz solar directa.**
- d) **Não exponha a bateria ao choque eléctrico.**
- e) **Em casos de fugas na bateria, não permita que o líquido entre em contacto com a pele ou olhos. Caso entre em contacto, lave a área afectada com quantidades abundantes de água e procure aconselhamento médico.**
- f) **Mantenha a bateria limpa e seca.**
- g) **Limpe os terminais da bateria com um pano limpo e seco em caso de sujidade.**
- h) **A bateria necessita de ser carregada antes de ser utilizada. Consulte sempre estas instruções e utilize o procedimento de carga correcto.**
- i) **Não mantenha a bateria a carregar quando não for utilizada.**
- j) **Após longos períodos de tempos de armazenamento, pode ser necessário carregar e descarregar a bateria diversas vezes para obter o desempenho máximo.**
- k) **Recarregue apenas com o carregador especificado pela Kress. Não utilize um carregador que não se encontra especificado para a utilização com o equipamento.**
- l) **Não utilize uma bateria que não se encontra concebida para a utilização com o equipamento.**

- m) **Mantenha a bateria fora do alcance das crianças.**
- n) **Preserve as informações originais do produto para futura referência.**
- o) **Retire a bateria do equipamento quando não estiver em utilização.**
- p) **Elimine-a de forma adequada.**
- q) **Não misture pilhas de diferente fabrico, capacidade, tamanho ou tipo num dispositivo.**
- r) **Mantenha a bateria longe de aparelhos de microondas e de altas pressões.**

SÍMBOLOS

	<p>Para reduzir o risco de ferimentos, o utilizador deve ler o manual de instruções</p>
	<p>Atenção</p>
	<p>Usar protecção para os olhos</p>
	<p>Usar protecção para os ouvidos</p>
	<p>Usar máscara contra o pó</p>


	<p>Não queimar</p>
	<p>As baterias podem entrar no ciclo da água se descartadas incorretamente, o que pode ser perigoso para o ecossistema. Não descarte baterias usadas como lixo municipal não selecionado.</p>
	<p>Bateria de íões de lítio Este produto foi marcado com um símbolo relativo à “recolha separada” para todas as baterias e conjuntos de baterias. Será então reciclada ou desmontada para reduzir o impacto no meio ambiente. As baterias podem ser perigosas para o meio ambiente e para a saúde humana, pois contêm substâncias perigosas..</p>
	<p>Os equipamentos eléctricos não devem ser depositados com o lixo doméstico. Se existirem instalações adequadas deve reciclá-los. Consulte a sua autoridade local para tratamento de lixos ou fornecedor para obter aconselhamento sobre reciclagem.</p>

LISTA DE COMPONENTES

- 1. ROTAÇÃO PARA A FRENTE, PARA TRÁS E CONTROLO DE BLOQUEIO**
- 2. MANÍPULO DE ADERÊNCIA SUAVE**
- 3. BOTÃO DE TRAVA DO GRUPO DE BATERIA***
- 4. GRUPO DE BATERIA***
- 5. INTERRUPTOR PARA LIGAR/DESLIGAR COM CONTROLO DE VELOCIDADE VARIÁVEL**
- 6. LÂMPADA LED**
- 7. MANGA DE BLOQUEIO DA PINÇA**
- 8. BOTÃO ELETRÓNICO DE CONTROLO DA VELOCIDADE**
- 9. INDICADOR DE CORRENTE**

* Nem todos os acessórios ilustrados ou descritos estão incluídos no modelo fornecido.

DADOS TÉCNICOS

	KUB50.2
Tensão nominal	12V  Max**
Velocidade nominal sem carga	0-3300/min

Taxa de Impacto avaliada	0-1600/0-3500/0-4000bpm
Capacidade do mandril	140Nm
Capacidade do mandril	6.35mm
Peso da máquina	0.88kg

** Tensão medida sem carga. A tensão inicial da bateria atinge o máximo de 12 volts. A tensão nominal é de 10.8 volts.

INFORMAÇÃO DE RUÍDO

Pressão sonora ponderada	$L_{pA} = 78,0\text{dB(A)}$
Potência sonora ponderada	$L_{wA} = 89,0\text{dB(A)}$
K_{pA} & K_{wA}	3dB(A)

Usar protecção para os ouvidos.

INFORMAÇÃO DE VIBRAÇÃO

Os valores totais de vibração são determinados de acordo com a normativa EN 62841:

Valor da emissão da vibração value	$a_h = 4,728\text{m/s}^2$
	Instabilidade $K = 1,5\text{m/s}^2$

O valor total de vibração declarado e o valor de emissão de ruído declarado foram medidos de acordo com um método de teste normalizado e poderão ser utilizados para comparar ferramentas entre si.

O valor total de vibração declarado e o valor de emissão de ruído declarado também poderão ser utilizados numa avaliação preliminar da exposição.



AVISO: a vibração e as emissões de ruído durante o uso efetivo da ferramenta elétrica podem diferir do valor declarado, em função das formas como a ferramenta é utilizada, especialmente no que se refere ao tipo de peça de trabalho que é processada em função dos seguintes exemplos e de outras variações sobre como a ferramenta é utilizada: O modo como a ferramenta é utilizada, os materiais a cortar ou perfurar.

A ferramenta estar em boas condições e bem conservada.

A utilização do acessório correcto para a ferramenta e a garantia de que está afiado e em boas condições.

A tensão de aderência nas pegas e se são utilizados acessórios anti-vibração e ruído.

Se a ferramenta é utilizada para o objectivo para a qual foi concebida e segundo as instruções.

Esta ferramenta pode causar síndrome de vibração mão-braço, se não for adequadamente utilizada.



AVISO: Para ser preciso, uma estimativa do nível de exposição nas condições actuais de utilização deve ter em conta todas as partes do ciclo de operação, como os tempos em que a ferramenta está desligada e quando está em funcionamento, mas inactiva, ou seja, não realizando o seu trabalho. Isto poderá reduzir significativamente o nível de exposição durante o período total de trabalho.

Ajudar a minimizar a sua vibração e risco de exposição ao ruído.

Utilize SEMPRE formões, brocas e lâminas afiadas. Mantenha esta ferramenta de acordo com as instruções e bem lubrificada (quando aplicável).

Se a ferramenta tiver de ser utilizada regularmente, invista em acessórios anti-vibração e anti-ruído.

Planeie o seu horário de trabalho de forma a distribuir a utilização de ferramentas de alta vibração ao longo de vários dias.

ACESSÓRIOS

	KUB50.2
Bateria de lítio de 2,0Ah (KPB1202)	2
Carregador (KCH1202)	1
Ferramentas do condutor	1
Elemento da ferramenta do condutor	1

Recomendamos que você compre seus acessórios na mesma loja que vendeu a ferramenta. Consulte a embalagem dos acessórios para mais detalhes. O pessoal da loja pode ajudá-lo e oferecer opinião.

INSTRUÇÕES DE FUNCIONAMENTO



NOTA: Antes de usar a ferramenta, leia o livro de instruções cuidadosamente.

Uso

Esta ferramenta serve para apertar e desapertar parafusos, porcas e várias fivelas roscadas.

ANTES DE COLOCAR EM FUNCIONAMENTO

A) CARREGAMENTO DA BATERIA

O carregador de baterias fornecido é compatível com a bateria de íões de lítio instalada na máquina. Não utilize nenhum outro carregador de baterias.

A bateria de íões de lítio está protegida contra descarga profunda.

Quando a bateria está com uma carga muito fraca, a máquina é desligada através de um circuito de proteção: O mandril deixa de rodar.

Em ambientes quentes ou após uma utilização intensa, o módulo de bateria pode ficar demasiado quente para poder ser carregado. Deixe que a bateria arrefeça antes de a voltar a carregar.

B) REMOVER OU INSTALAR O MÓDULO DE BATERIA (VER A)

Pressione o botão de libertação do módulo de bateria para o libertar (4) e remova-o da sua ferramenta. Volte a encaixá-lo na ferramenta depois de recarregado. Um simples empurrão e uma leve pressão serão suficientes.

OPERAÇÃO

1. COMO INSTALAR E REMOVER UMA CHAVE DE PARAFUSOS E TOMADA PARA INSTALAR BITS:

A). Ao instalar o bit da chave de parafusos, puxe a tomada na direção da seta e insira o bit da chave de parafusos totalmente até ao fim da tomada. Em seguida, solte a tomada para bloquear o bit da chave de parafusos.

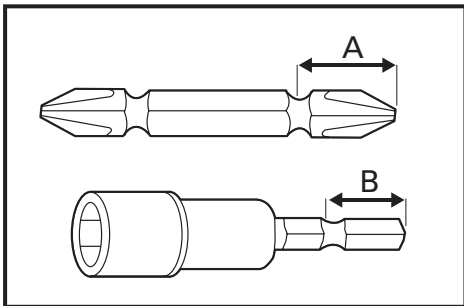
(Consulte a Fig. B)

B). Ao instalar o bit da chave de parafusos, puxe a tomada na direção da seta e insira o elemento do bit da chave de parafusos e o bit da chave de parafusos totalmente até ao fim da tomada. Em seguida, solte a tomada para bloquear o bit da chave de parafusos. (Consulte a Fig. C)

Nota: Use apenas bits da chave de parafusos com as inserções ilustradas

Para ferramentas com um orifício profundo para bits das chaves de parafusos

A=17mm B=14mm	Quando usar este tipo de bits da chave de parafusos, siga os passos de instalação apresentados na Fig. B.
A=12mm B=9mm	Quando usar este tipo de bits da chave de parafusos, siga os passos de instalação apresentados na Fig. C. Nota: O elemento do bit da chave de parafusos é necessário.



Para remover bits:

Ao remover o bit da chave de parafusos, puxe a tomada na direção da seta apresentada na Fig. B/C e puxe o bit da chave de parafusos para fora.

2. BLOQUEIO DO INTERRUPTOR

É usada uma técnica direcional eletromagnética completamente nova para o bloqueio do interruptor, mais fiável que a estrutura direcional mecânica; a fonte de alimentação da máquina será totalmente cortada quando a alavanca das mudanças estiver na posição do meio, e a máquina não arrancará se forçar a pressão deste botão; Esta função é útil para impedir que a máquina arranque acidentalmente quando não estiver a ser usada.

3. REVERSÍVEL

Para perfuração e aparafusamento, use a rotação para a

frente com a marca “◀◀” (a alavanca é movida para a esquerda). Use apenas a rotação para trás com a marca “▶▶” (a alavanca é movida para a direita) para remover parafusos ou soltar um bit de perfuração encravado.



Aviso: Nunca mude a direção da rotação quando o mandril está a rodar, aguarde até o mesmo parar!

4. LUZ LED (6)

Para acender a luz, basta premir o Interruptor Ligar/Desligar (5). Quando soltar o Interruptor Ligar/Desligar, a luz apaga-se. A iluminação do LED aumenta a visibilidade-ideal para áreas escuras ou fechadas. Piscará quando ficar com falta de carga.

5. BOTÃO DE CONTROLO DE VELOCIDADE ELETRÔNICO (8)

A velocidade não pode ser ajustada durante o funcionamento da máquina se o botão de controlo de velocidade eletrónico estiver bloqueado.

MANUTENÇÃO

A sua ferramenta não requer qualquer lubrificação ou manutenção adicional.

Na sua ferramenta eléctrica, não existem componentes susceptíveis de serem substituídos pelo utilizador. Nunca utilize água ou produtos químicos para limpar a sua ferramenta. Limpe-a com um pano macio e seco. Guarde sempre a sua ferramenta num local seco. Mantenha as ranhuras de ventilação do motor devidamente limpas. Mantenha todos os controlos de trabalho sem poeira. Se observar a ocorrência de faíscas nas ranhuras de ventilação, isso é normal e não danificará a sua ferramenta.

PARA FERRAMENTAS ELÉTRICAS

A amplitude térmica ambiente para utilização e armazenamento da ferramenta e da bateria é 0°C–45°C.
A amplitude térmica ambiente recomendada para o Sistema de carregamento durante o carregamento é 0°C–40°C.

PROTECÇÃO AMBIENTAL



Os equipamentos eléctricos não devem ser eliminados juntamente com o lixo doméstico. Se existirem instalações adequadas, deve reciclá-los. Consulte as autoridades locais ou o fornecedor para obter aconselhamento sobre reciclagem.

DECLARAÇÃO DE CONFORMIDADE

Nós,
POSITEC Germany GmbH
Postfach 32 02 16, 50796 Cologne, Germany

Declaramos que o produto,
Descrição **Perfuração alimentada por bateria**
Tipo **KUB50.2 (B50- uma designação da máquina, representativa de uma chave de parafusos)**
Função **Apertar e desapertar parafusos, porcas**

cumpre as seguintes Directivas,
2006/42/EC
2011/65/EU&(EU)2015/863
2014/30/EU

Normas em conformidade com

EN 55014-1
EN 55014-2
EN 62841-1
EN 62841-2-2

Pessoa autorizada a compilar o ficheiro técnico,

Nome Marcel Filz
Endereço Positec Germany GmbH
Postfach 32 02 16, 50796 Cologne, Germany



2022/03/11
Allen Ding
Engenheiro-chefe adjunto, Teste e Certificação
Positec Technology (China) Co., Ltd
18, Dongwang Road, Suzhou Industrial
Park, Jiangsu 215123, P. R. China

**OORSPRONKELIJKE GEBRUIKSAANWIJZING
PRODUCTVEILIGHEID
ALGEMENE VEILIGHEIDSWAARSCHUWINGEN VOOR
VERMOGENSMACHINE**



WAARSCHUWING Lees alle veiligheidswaarschuwingen, instructies, illustraties en specificaties die bij dit elektrisch gereedschap werden meegeleverd. *Het niet opvolgen van alle onderstaande voorschriften kan tot een elektrische schok, brand en/of ernstig persoonlijk letsel leiden.*

Bewaar alle waarschuwingen en instructies voor latere naslag.

De term “(elektrisch) gereedschap” in de waarschuwingen hieronder, verwijst naar uw op netspanning werkende gereedschap (met stroomdraad) of uw accugereedschap (draadloos).

1) WERKGEBIED

- a) **Houd uw werkgebied schoon en zorg ervoor dat deze goed verlicht is.** *In rommelige en slecht verlichte werkgebieden gebeuren sneller ongelukken.*
- b) **Gebruik elektrisch gereedschap niet in explosieve atmosferen, zoals in de nabijheid van ontvlambare vloeistoffen, gassen of stof.** *Elektrisch gereedschap veroorzaakt vonken die de stof of de gassen kunnen doen ontvlammen.*
- c) **Houd kinderen en omstanders uit de buurt terwijl u met elektrisch gereedschap werkt.** *Afleidingen kunnen ervoor zorgen dat u de controle over het gereedschap verliest.*

2) ELEKTRISCHE VEILIGHEID

- a) **De stekker van het elektrisch gereedschap moet passen in het stopcontact. Pas de**

stekker op geen enkele manier aan om te zorgen dat hij wel past. Gebruik geen adapterstekkers terwijl u geaard elektrisch gereedschap gebruikt. *Onaangepaste stekkers die in het stopcontact passen, verminderen de kans op een elektrische schok.*

- b) **Vermijd lichamelijk contact met geaarde of gegronde oppervlakken, zoals buizen, radiatoren, fornuizen en koelkasten.** *Als uw lichaam geaard of gegronnd is, is er een grotere kans op een elektrische schok.*
- c) **Stel uw elektrische gereedschap niet bloot aan regen of natte omstandigheden.** *Water dat elektrisch gereedschap kan binnendringen, vergroot de kans op een elektrische schok.*
- d) **Gebruik de stroomdraad niet op een andere manier dan waarvoor deze gemaakt is. Trek niet aan de stroomdraad, ook niet om de stekker uit het stopcontact te krijgen en draag het gereedschap niet door het aan de stroomdraad vast te houden. Houd de stroomdraad uit de buurt van hitte, olie, scherpe hoeken en bewegende onderdelen.** *Beschadigde of verwarde stroomdraden vergroten de kans op een elektrische schok.*
- e) **Wanneer u het elektrische gereedschap buitenshuis gebruikt, dient u te zorgen voor een verlengsnoer dat geschikt is voor gebruik buitenshuis.** *Het gebruik van een verlengsnoer dat geschikt is voor gebruik buitenshuis, vermindert de kans op een elektrische schok.*
- f) **Moet een krachtmachine in een vochtige locatie worden gebruikt, gebruik dan een aardlekschakelaar (ALS).** *Een ALS vermindert het gevaar op elektrische schokken.*

3) PERSOONLIJKE VEILIGHEID

- a) **Blijf alert, kijk waar u mee bezig bent en gebruik uw gezonde verstand wanneer u met elektrisch gereedschap werkt. Gebruik geen elektrisch gereedschap wanneer u moe bent of onder de invloed van drugs, alcohol of medicijnen.** *Een moment van onoplettendheid bij het gebruik van elektrisch gereedschap kan leiden tot ernstig persoonlijk letsel.*
- b) **Gebruik een veiligheidsuitrusting. Draag altijd oogbescherming.** *Een veiligheidsuitrusting, zoals een stofmasker, schoenen met antislipzolen, een veiligheidshelm, of oorbescherming die onder de juiste omstandigheden gebruikt wordt, vermindert de kans op persoonlijk letsel.*
- c) **Pas op dat het apparaat niet onbedoeld wordt gestart. Zorg ervoor dat de schakelaar uit staat voordat u de voeding en/of batterij aansluit, en als u de machine oppakt en draagt.** *Gereedschap dragen terwijl u uw vinger op de schakelaar houdt, of de stekker in het stopcontact steken terwijl het gereedschap ingeschakeld staat, is vragen om ongelukken.*
- d) **Verwijder inbussleutels of moersleutels voordat u het gereedschap inschakelt.** *Een sleutel die nog in of op een draaiend onderdeel van het elektrische gereedschap zit, kan leiden tot ernstig persoonlijk letsel.*
- e) **Werk niet boven uw macht. Zorg er altijd voor dat u stevig staat en goed in balans bent.** *Hierdoor heft u betere controle over het gereedschap in onverwachte situaties.*
- f) **Draag geschikte kleding. Draag geen loszittende kleding of sieraden. Houd uw haar en kleding uit de buurt van bewegende**

onderdelen. *Loszittende kleding, sieraden of lang haar kan vast komen te zitten in bewegende onderdelen.*

- g) **Wanneer er apparaten worden bijgeleverd voor stofafzuiging en –opvang, zorg er dan voor dat deze aangesloten zijn en op de juiste manier gebruikt worden.** *Het gebruik van deze apparaten vermindert de gevaren die door stof kunnen ontstaan.*
- h) **Als u gereedschap veelvuldig gebruikt, dan kan dit leiden tot het negeren van de veiligheidsprincipes, probeer dit te vermijden.** *Een achteloze actie kan binnen een fractie van een seconde leiden tot ernstig letsel.*
- 4) **GEBRUIK EN ONDERHOUD VAN ELEKTRISCH GEREEDSCHAP**
- a) **Forceer het gereedschap niet. Gebruik gereedschap dat voor de toepassing geschikt is.** *Het gebruik van geschikt gereedschap levert beter werk af en werkt veiliger als het gebruikt wordt op de snelheid waar het voor ontworpen is.*
- b) **Gebruik het gereedschap niet wanneer de aan/uitschakelaar niet functioneert.** *Gereedschap dat niet kan worden bediend met behulp van de schakelaar is gevaarlijk en dient te worden gerepareerd.*
- c) **Haal de stekker uit het stopcontact en/of verwijder de accu, indien deze kan worden verwijderd, uit het gereedschap voordat u instellingen verandert, toebehoren vervangt of de machine opbergt.** *Deze preventieve veiligheidsmaatregelen verminderen de kans op het ongewild inschakelen van het gereedschap.*
- d) **Berg gereedschap dat niet gebruikt wordt buiten het bereik van kinderen op en laat personen die niet bekend**

zijn met het gereedschap of met deze veiligheidsinstructies het gereedschap niet bedienen. *Elektrisch gereedschap kan in de handen van ongetrainde gebruikers gevaarlijk zijn.*

- e) **Onderhouden van het gereedschap en accessoires. Controleer of bewegende onderdelen nog goed uitgelijnd staan, of ze niet ergens vastzitten en controleer op elke andere omstandigheid die ervoor kan zorgen dat het gereedschap niet goed functioneert. Wanneer het gereedschap beschadigd is, dient u het te repareren voordat u het in gebruik neemt.** *Veel ongelukken worden veroorzaakt door slecht onderhouden elektrisch gereedschap.*
- f) **Houd snijdend gereedschap schoon en scherp.** *Goed onderhouden snijdend gereedschap met scherpe zaagbladen/messen zal minder snel vastlopen en is makkelijker te bedienen.*
- g) **Gebruik het gereedschap, de accessoires, de bitjes, enz. in overeenstemming met deze instructies en op de manier zoals bedoeld voor het specifieke type elektrisch gereedschap, rekening houdend met de werkomstandigheden en het uit te voeren werk.** *Het gereedschap gebruiken voor andere doeleinden dan waar deze voor ontworpen is, kan gevaarlijke situaties opleveren.*
- h) **Houd de handgrepen en grijppoppervlakten droog, schoon en vrij van olie en smeermiddel.** *Glibberige handgrepen en grijppoppervlakten laten geen veilige hantering toe, en zorgen ervoor dat u geen controle hebt over het gereedschap in onverwachte omstandigheden.*

5) GEBRUIK EN ONDERHOUD VAN ACCUGEREEDSCHAP

- a) **Laad het accupack alleen op met de door de fabrikant aangegeven oplader.** *Een oplader die geschikt is voor het ene type accupack, kan brand veroorzaken wanneer die gebruikt wordt voor een ander type accupack.*
- b) **Gebruik het gereedschap uitsluitend met het aangegeven accupack.** *Door het gebruik van andere accupacks ontstaat de kans op letsel of brand.*
- c) **Wanneer het accupack niet gebruikt wordt, dient u het uit de buurt te houden van metalen voorwerpen, zoals paperclips, munten, sleutels, spijkers, schroeven of andere kleine metalen voorwerpen die een verbinding kunnen maken tussen de contactpunten van de terminal.** *Het kortsluiten van de accuterminals kan zorgen voor brandwonden of brand.*
- d) **Onder extreme omstandigheden kan er vloeistof uit de accu lopen; raak deze vloeistof niet aan. Wanneer u toch onverhoopt met de vloeistof in aanraking komt, dient u dit onmiddellijk af te spoelen met water. Wanneer de vloeistof in de ogen komt, dient u zo snel mogelijk een arts te raadplegen.** *Vloeistof die afkomstig is uit de accu kan irritatie of brandwonden veroorzaken.*
- e) **Gebruik geen accu of gereedschap dat beschadigd of aangepast is.** *Beschadigde of aangepaste accu's kunnen onvoorspelbaar reageren, wat kan leiden tot brand, explosie of het veroorzaken van letsel.*
- f) **Stel een accu of gereedschap niet bloot aan vuur of extreme temperatuur.** *Blootstelling aan brand of een temperatuur boven 130°C kan explosie veroorzaken.*

- g) Volg alle instructies en laad de accu of het gereedschap niet op buiten het temperatuurbereik dat vermeld is in de handleiding.** *Onjuist opladen of opladen bij temperaturen buiten het aangegeven bereik kan de accu beschadigen en het risico op brand vergroten.*
- 6) SERVICE**
- a) Laat uw elektrisch gereedschap repareren door een bevoegde reparateur die alleen originele reserveonderdelen gebruikt.** *Zo bent u er zeker van dat uw gereedschap veilig blijft.*
- b) Repareer nooit beschadigde accu's.** *Reparatie van accu's mag alleen worden uitgevoerd door de fabrikant of geautoriseerde onderhoudstechnici.*

VEILIGHEIDSWAARSCHUWING VOOR SCHROEVENDRAAIERS

- 1 Houd het gereedschap vóór gebruik goed vast.**
Dit gereedschap produceert een hoog uitgangskoppel en als het apparaat tijdens gebruik niet goed wordt ondersteund, kunt u de controle erover verliezen, wat tot persoonlijk letsel kan leiden.

VEILIGHEIDSinSTRUCTIES VOOR HET ACCUPACK

- a) Batterijcellen en accupacks mogen niet gedemonteerd, geopend of vernietigd worden.**
- b) Sluit accupacks niet kort. Bewaar accupacks niet willekeurig in een doos of lade waar ze elkaar kunnen kortsluiten of door geleidende voorwerpen kortgesloten kunnen worden.**
Houd het accupack op een afstand van andere

metalen voorwerpen als paperclips, muntstukken, sleutels, nagels, schroeven en andere kleine metalen voorwerpen die de contacten van de accupack kunnen verbinden. Kortgesloten contacten van accupacks kunnen brandwonden of brand veroorzaken.

- c) Stel accupacks niet bloot aan warmte of vuur. Vermijd opslag in direct zonlicht.**
- d) Stel accupacks niet bloot aan mechanische schokken.**
- e) Als een accu lekt dient men voorzichtig te zijn dat de vloeistof niet in contact komt met de huid of de ogen. Als dat toch gebeurt spoelt men de huid onder stromend water en raadpleegt men een arts.**
- f) Houd batterijcellen en accupacks schoon en droog.**
- g) Veeg de aansluitingen van het accupack schoon met een droge doek als ze vuil zijn geworden.**
- h) Accupacks moeten voor gebruik worden opgeladen. Lees de gebruiksaanwijzing voor de juiste laadinstructies.**
- i) Laat accupacks niet langdurig opladen als ze niet worden gebruikt.**
- j) Na een lange opslagperiode kan het nodig zijn het accupack enkele keren op te laden en te ontladen voor een optimale prestatie.**
- k) Laad alleen op met een lader met de technische gegevens van Kress. Gebruik geen andere lader dan de lader die specifiek voor dat doel met de apparatuur is meegeleverd.**
- l) Gebruikt geen accupack dat niet bedoeld is voor gebruik met deze apparatuur.**
- m) Houd accupacks buiten het bereik van kinderen.**

- n) **Bewaar de oorspronkelijke instructies van het product voor latere gebruik.**
- o) **Verwijder het batterijpakket uit de apparatuur als het niet in gebruik is.**
- p) **Volg de juiste procedure voor afvalverwijdering na afdanken van dit apparaat.**
- q) **Gebruik geen cellen van verschillende fabrikanten, capaciteit, afmetingen of typen binnen een apparaat.**
- r) **Houd de accu uit de buurt van microgolven en hoge druk.**

SYMBOLEN

	Om het risico op letsels te beperken, moet u de gebruikershandleiding lezen
	Waarschuwing
	Draag een veiligheidsbril
	Draag gehoorbescherming
	Draag een stofmasker


	Steek niet brand
	Als de batterij niet correct wordt gebruikt, kan deze de waterkringloop binnendringen en schade aan het ecosysteem veroorzaken. Gooi gebruikte batterijen niet weg als ongesorteerd gemeentelijk afval.
 Li-Ion	Lithium-ionbatterij, die is gelabeld met de symbolen die horen bij "gescheiden inzameling" van alle batterijpakketten en batterijpakketten. Het wordt vervolgens gerecycled of verwijderd om de milieupact te verminderen. Batterijpakketten kunnen schadelijk zijn voor het milieu en de volksgezondheid omdat ze schadelijke stoffen bevatten.
	Afgedankte elektrische producten mogen niet bij het normale huisafval terechtkomen. Breng deze producten waar mogelijk naar een recyclecentrum bij u in de buurt. Vraag de verkoper of de gemeente informatie en advies over het recyclen van elektrische apparatuur.

ONDERDELENLIJST

- 1. VOORUIT, ACHTERUIT DRAAIEN EN VERGRENDELBEDIENING**
- 2. HANDGREEP MET ZACHTE GRIP**
- 3. VERGRENDELKNOP VOOR ACCU'S***
- 4. BATTERIJ***
- 5. AAN/UIT-SCHAKELAAR MET VARIABELE SNELHEIDSREGELING**
- 6. LED-LAMP**
- 7. SLUITBUS VOOR SPANKOP**
- 8. ELEKTRONISCHE SNELHEIDSREGELING**
- 9. AAN-/UIT-INDICATOR**

* Sommige afgebeelde of beschreven toebehoren worden niet meegeleverd.

TECHNICAL SPECIFICATIONS

	KUB50.2
Spanning	12V  Max**
Toerental onbelast	0-3300/min
Aantal slagen onbelast	0-1600/0-3500/0-4000bpm

Maximumkoppel	140Nm
Boorhoudercapaciteit	6.35mm
Machiegewicht	0.88kg

** Spanning gemeten zonder belasting. Beginspanning batterij bereikt maximum 12 volt. Nominale spanning is 10.8 volt.

GELUIDSPRODUCTIE

A gewogen geluidsdruk	$L_{pA} = 78,0\text{dB(A)}$
A gewogen geluidsvermogen	$L_{wA} = 89,0\text{dB(A)}$
K_{pA} & K_{wA}	3dB(A)

Draag oorbescherming.

TRILLINGSGEGEVENS

Totale trillingswaarden (som triax vector) bepaald volgens EN 62841:

Trillingswaarde	$a_h = 4,728\text{m/s}^2$
	Fout K = $1,5\text{m/s}^2$

De totale waarde van trillingen en geluidsemisatie werden gemeten volgens een standaard testmethode en kunnen worden gebruikt om gereedschappen te vergelijken.

De totale waarde van trillingen en geluidsemissie kunnen ook voor een voorlopige beoordeling van de blootstelling worden gebruikt.



WAARSCHUWING: Trillingen en geluidsemissie die tijdens het gebruik van het gereedschap optreden, kunnen verschillen van de opgegeven waarde, dit is afhankelijk van de manier waarop het gereedschap wordt gebruikt, met name van het werkstuk dat wordt bewerkt, afhankelijk van de volgende voorbeelden en andere variaties in de manier waarop het gereedschap wordt gebruikt: Hoe de machine gebruikt wordt en hoe het materiaal gesneden of geboord wordt.

De conditie en de onderhoudstoestand van de machine. Gebruik van de juiste toebehoren. Zorg ervoor dat ze scherp zijn en in goede conditie.

Hoe stevig de handgreep wordt vastgehouden en of er anti-trilling en -geluidsaccessories worden gebruikt.

De machine moet gebruik worden zoals door de ontwerper bedoeld is en in overeenstemming met deze instructies.

Deze machine kan een trillingssyndroom in hand en arm veroorzaken als hij niet op de juiste wijze gehanteerd wordt.



WAARSCHUWING: Voor de nauwkeurigheid moet bij een schatting van het blootstellingsniveau in de feitelijke gebruiksomstandigheden rekening worden gehouden met alle delen van de bewerking, zoals het moment dat de machine wordt uitgeschakeld en de tijden waarop de machine loopt zonder daadwerkelijk gebruikt te worden. Dit kan het blootstellingsniveau over de totale werkperiode aanzienlijk verminderen.

Het risico op blootstelling aan trillingen en geluid verminderen.

Gebruik ALTIJD scherpe beitels, boren en zaagbladen. Onderhoud de machine volgens deze instructies en houd hem goed gesmeerd (voor zover van toepassing). Als het gereedschap regelmatig wordt gebruikt, investeer dan in anti-trilling en -geluidsaccessories. Plan de werkzaamheden zodat de taken met veel trillingen over een aantal dagen verspreid worden.

TOEBEHOREN

	KUB50.2
2.0Ah lithium batterijpakket (KPB1202)	2
Llader (KCH1202)	1
Schroefbits	1
Schroefbiteitement	1

We raden u aan om accessoires te kopen in de winkel waar het gereedschap wordt verkocht. Zie het accessoirepakket voor meer informatie. Winkelpersoneel kan u helpen en adviseren.

BEDIENINGSINSTRUCTIES



OPMERKING: Lees voor het gebruik van het gereedschap aandachtig het instructieboekje.

Gebruik

Dit gereedschap is bestemd voor het vast- en losdraaien van bouten, moeren en verschillende andere bevestigingsmiddelen met schroefdraad.

VÓÓR INGEBRIJKNAME

A) BATTERIJPAKKET OPLADEN

De meegeleverde acculader is afgestemd op het in de machine geïnstalleerde Li-ion batterijpakket. Gebruik geen andere batterijlader.

Het Li-ion batterijpakket is beveiligd tegen diepontlading. Wanneer het batterijpakket leeg is, wordt de machine uitgeschakeld door middel van een beveiligingscircuit. De boorhouder draait niet meer.

In een warme omgeving of na intensief gebruik kan het batterijpakket te heet worden om te kunnen worden opgeladen. Geef het batterijpakket de tijd om af te koelen voordat u deze weer oplaadt.

B) BATTERIJPAKKET VERWIJDEREN OF INSTALLEREN (ZIE A)

Druk de ontgrendelingsknop voor het batterijpakket in en schuif het batterijpakket (4) uit uw gereedschap. Laad het batterijpakket op en schuif deze weer terug in uw gereedschap. Een simpele duw en lichte druk is voldoende.

OPERATIE

1. EEN SCHROEFBIT EN HOUDER INSTALLEREN EN VERWIJDEREN OM BITS TE INSTALLEREN:

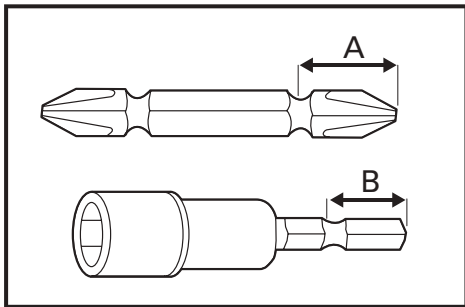
A). Wanneer u de schroefbit installeert, trekt u de houder in de richting van het pijltje en steekt u de schroefbit volledig tot de bodem van de houder erin. Laat de houder vervolgens los om de schroefbit vast te zetten. (Zie Afb. B)

B). Wanneer u de schroefbit installeert, trekt u de houder in de richting van het pijltje en steekt u het schroefbitelement en schroefbit volledig tot de bodem van de houder erin. Laat de houder vervolgens los om de schroefbit vast te zetten. (Zie Afb. C)

Opmerking: Gebruik uitsluitend schroefbits met de afgebeelde inzetstukken.

Voor gereedschap met een diep gat voor schroefbits

A=17mm B=14mm	Wanneer u dit type schroefbits gebruikt, volg dan de installatiestappen te zien in Afb. B.
A=12mm B=9mm	Wanneer u dit type schroefbits gebruikt, volg dan de installatiestappen te zien in Afb. C. Opmerking: Schroefbitelement is vereist.



Bits verwijderen:

Wanneer u het schroefbit verwijdert, trekt u de houder in de richting van het pijltje afgebeeld in Afb. B/C en trekt u het schroefbit eruit.

2. SCHAKELVERGREDELING

Voor de schakelvergrendeling wordt een geheel nieuwe elektromagnetische directionele techniek gebruikt, die betrouwbaarder is dan de mechanische directionele structuur; de voeding van de machine wordt volledig afgesneden wanneer de schakelhendel in de middelste stand staat en de machine zal niet starten wanneer hard op de knop wordt gedrukt; Deze functie is handig om te voorkomen dat de machine onbedoeld start wanneer deze niet in gebruik is.

3. OMKEERBAAR

Gebruik voor het boren en schroevendraaien de voorwaartse rotatie, gemarkeerd “◀◀” (hendel naar links bewegen).

Gebruik de achterwaartse rotatie, gemarkeerd “▶▶” (hendel naar rechts bewegen) alleen om schroeven te verwijderen of een vastgelopen boor los te maken.

! **Waarschuwing:** Verander nooit de draairichting wanneer de boorhouder draait, wacht altijd totdat deze is gestopt!

4. LED-LICHT (6)

TDruk gewoon op de Aan/Uit-schakelaar (5) om het licht in te schakelen. Het licht schakelt uit zodra u de Aan/Uit-schakelaar loslaat. Led-verlichting verbetert zichtbaarheid-uitstekend voor donkere of omsloten ruimtes. Het zal knipperen wanneer het vermogen laag raakt.

5. ELEKTRONISCHE SNELHEIDSREGELKNOP (8)

De snelheid kan niet worden aangepast terwijl de machine draait als de elektronische snelheidsregelknop is vergrendeld.

WARTUNG

Ihr Werkzeug benötigt keine zusätzliche Schmierung oder Wartung.

Es enthält keine Teile, die Sie warten müssen. Reinigen Sie Ihr Werkzeug niemals mit Wasser oder chemischen Lösungsmitteln. Wischen Sie es mit einem trockenen Tuch sauber. Lagern Sie Ihr Werkzeug immer an einem trockenen Platz. Sorgen Sie dafür, dass bei staubigen Arbeiten die Lüftungsöffnungen frei sind. Gelegentlich sind durch die Lüftungsschlitze hindurch Funken zu sehen. Dies ist normal und wird Ihr Werkzeug nicht beschädigen.

BEI AKKUWERKZEUGEN

Der Umgebungstemperaturbereich für die Nutzung und Lagerung von Werkzeug und Akku liegt zwischen 0°C und 45°C.

Der empfohlene Umgebungstemperaturbereich für die Ladestation liegt zwischen 0°C und 40°C.

UMWELTSCHUTZ



Elektroprodukte dürfen nicht mit dem normalen Haushaltsmüll entsorgt werden, sondern sollten nach Möglichkeit zu einer Recyclingstelle gebracht werden. Ihre zuständigen Behörden oder Ihr Fachhändler geben Ihnen hierzu gerne Auskunft.

KONFORMITÄTSERKLÄRUNG

Wir,
POSITEC Germany GmbH
Postfach 32 02 16, 50796 Cologne, Germany

erklären hiermit, dass unser Produkt
Beschreibung **Akku- Bohrschrauber**
Typ **KUB50.2 (B50- benaming van machines, representatief voor schroevendraaijer)**
Funktionen **Schroeven en moeren aan- en losdraaien**

den Bestimmungen der folgenden Richtlinien entspricht:

2006/42/EC

2011/65/EU&(EU)2015/863

2014/30/EU

Werte nach

EN 55014-1

EN 55014-2

EN 62841-1

EN 62841-2-2

Zur Kompilierung der technischen Datei ermächtigte Person

Name Marcel Filz

Adresse Positec Germany GmbH

Postfach 32 02 16, 50796 Cologne, Germany



2022/03/11

Allen Ding

Stellvertretender Chefsingenieur,

Prüfung und Zertifizierung

Positec Technology (China) Co., Ltd

18, Dongwang Road, Suzhou Industrial

Park, Jiangsu 215123, P. R. China

NL

73

БЕЗОПАСНОСТЬ ИЗДЕЛИЯ ОБЩИЕ ПРАВИЛА ТЕХНИКИ БЕЗОПАСНОСТИ ПРИ РАБОТЕ С ЭЛЕКТРОИНСТРУМЕНТОМ



ПРЕДОСТЕРЕЖЕНИЕ! Внимательно ознакомьтесь с инструкциями и предостережениями по технике безопасности. Невыполнение всех нижеприведенных инструкций и рекомендаций может привести к поражению электрическим током, пожару и серьезным травмам.

Сохраните все предостережения и инструкции для дальнейшего пользования.

В дальнейшем термин "электроинструмент" используется как для работающего от сети (проводного) электроинструмента, так и для электроинструмента, работающего от аккумулятора (беспроводного).

RU

74

1. БЕЗОПАСНОСТЬ НА РАБОЧЕМ МЕСТЕ

- a) **Содержите рабочее место в чистоте и хорошо освещенным.** Загроможденные и плохо освещенные зоны способствуют возникновению несчастных случаев.
- b) **Не работайте с инструментом во взрывоопасной атмосфере, в присутствии воспламеняемых жидкостей, газов или пыли.** Возникающие при работе электроинструмента искры могут привести к воспламенению горючих веществ.
- c) **При работе с инструментом дети и посторонние должны находиться на безопасном расстоянии.** Отвлечение внимания может привести к потере вами контроля.

2. ЭЛЕКТРОБЕЗОПАСНОСТЬ

- a) **Штепсельные вилки электроинструментов**

должны соответствовать розеткам. **Никогда никоим образом не изменяйте соединительную вилку. При заземленных электроинструментах не используйте никаких переходников.** Неизмененные вилки и соответствующие розетки снижают риск поражения электротоком.

- b) **Избегайте физического контакта с заземленными поверхностями, такими, как трубы, радиаторы, плиты и холодильники.** Риск поражения электротоком повышается, если ваше тело будет заземлено.
- c) **Не подвергайте электроинструменты воздействию дождя или высокой влажности.** Попадание воды в электроинструмент повышает опасность поражения электротоком.
- d) **Правильно обращайтесь с электрокабелем. Никогда не используйте кабель для переноски электроинструмента, а также не тяните за кабель для выключения из розетки. Держите кабель на безопасном расстоянии от источников тепла, масла, острых кромок и движущихся частей.** Поврежденные или запутанные кабели повышают риск поражения электротоком.
- e) **При работе с электроинструментом вне помещений используйте удлинители, которые предназначены для работы на открытом воздухе.** Это снижает риск поражения электротоком.
- f) **При использовании электроинструмента во влажном помещении его необходимо подключать к электросети через устройство защитного отключения (УЗО).**

Использование УЗО снижает риск поражения электротоком.

3. ЛИЧНАЯ БЕЗОПАСНОСТЬ

a) Будьте внимательны: следите за тем, что вы делаете, и руководствуйтесь здравым смыслом, работая с электроинструментом. Не используйте электроинструмент, если вы устали или находитесь под воздействием сильнодействующих средств, алкоголя или медикаментов.

Потеря внимания даже на короткое мгновение при работе с электроинструментом может привести к серьезным травмам.

b) Используйте индивидуальные средства защиты. Всегда надевайте средства защиты глаз. Такие средства защиты, как респиратор, нескользящая защитная обувь, каска или защитные наушники, используемые в соответствующих условиях, снижают риск получения травм.

c) Предотвращайте случайный запуск электроинструмента. Убедитесь, что выключатель находится в положении "Выключено" перед подключением к электросети и / или аккумуляторной батареи, сборкой или переносом электроинструмента. Переноска инструмента с пальцем на кнопке пуска или включение в сеть электроинструмента с включенным выключателем способствует несчастному случаю.

d) Удаляйте все регулировочные приспособления или гаечные ключи перед включением электроинструмента. Оставленные на вращающихся деталях

электроинструмента, они могут привести к травме.

e) Не перенапрягайтесь. Постоянно занимайте устойчивое положение и поддерживайте равновесие. Это позволяет лучше контролировать электроинструмент в непредвиденных ситуациях.

f) Одевайтесь надлежащим образом. Не надевайте свободную одежду или украшения. Держите волосы, одежду и перчатки на расстоянии от движущихся частей. Свободную одежду, украшения или длинные волосы может затянуть в движущиеся части.

g) Используйте предусмотренные средства и устройства для сбора и удаления пыли, если инструмент оснащен таковыми. Использование таких средств может снизить опасности, связанные с пылью.

h) Не позволяйте осведомленности, полученной в результате частого использования инструментов, заставить вас расслабиться и игнорировать принципы техники безопасности при работе с инструментом. Неосторожное действие может привести к серьезным травмам в течение доли секунды.

4. ИСПОЛЬЗОВАНИЕ ЭЛЕКТРОИНСТРУМЕНТА И УХОД ЗА НИМ

a) Не перегружайте электроинструмент. Используйте подходящий инструмент для каждой определенной цели. Правильно подобранный электроинструмент выполнит работу лучше и надежнее на уровне, для которого он предназначен.

- b) Не используйте электроинструмент, если выключатель невозможно включить или выключить.** Любой электроинструмент, который невозможно контролировать выключателем, представляет опасность и должен быть отремонтирован.
- c) Отсоедините штепсель от электросети и / или аккумуляторную батарею от электроинструмента перед проведением каких-либо настроек, сменой насадок или хранением электроинструмента.** Подобные предохранительные меры снижают опасность случайного пуска электроинструмента.
- d) Храните не использующиеся электроинструменты в местах, недоступных для детей. Не разрешайте работать с электроинструментом лицам, которые не знают или особенностей или не ознакомлены с данной инструкцией.** Электроинструменты в руках необученных пользователей представляют опасность.
- e) Поддерживайте электроинструмент в исправном состоянии. Проверяйте инструмент на предмет смещения или заедания движущихся частей, поломки деталей или любых иных неисправностей, могущих повлиять на работу электроинструмента. В случае повреждения следует отремонтировать электроинструмент перед применением.** Многие несчастные случаи вызваны плохим уходом за электроинструментом.
- f) Режущий инструмент должен быть заточенным и чистым.** При поддержании режущих инструментов в надлежащем состоянии

и с острыми режущими кромками вероятность их заклинивания уменьшается и ими легче управлять.

- g) Используйте электроинструмент, принадлежности, сверла и т. п. в соответствии с данными инструкциями, спецификой конкретного типа электроинструмента, учитывая условия работы и выполняемую задачу.** Использование электроинструмента для иных операций, помимо тех, для которых он предназначен, может привести к возникновению опасной ситуации.
- h) Ручки и поверхности для захвата должны быть сухими, чистыми и без следов масла и смазки.** Скользкие ручки и поверхности для захвата не позволяют безопасно обращаться с инструментом и контролировать его в непредвиденных ситуациях.
- 5. ИСПОЛЬЗОВАНИЕ АККУМУЛЯТОРНОГО ИНСТРУМЕНТА И УХОД ЗА НИМ**
- a) Производите подзарядку аккумулятора только при помощи оригинального зарядного устройства.** Зарядное устройство, которое подходит для одного типа аккумуляторной батареи, может привести к пожару, когда используется с другим типом аккумуляторной батареи.
- b) Используйте аккумуляторный инструмент только с оригинальными аккумуляторами.** Использование любого другого типа аккумулятора может привести к травме или пожару.
- c) Неиспользуемые аккумуляторные батареи храните отдельно от металлических предметов, таких как скрепки для**

бумаги, монеты, ключи, гвозди, винты и тому подобное, которые могут замкнуть контакты батареи. Замыкание контактов аккумуляторной батареи может привести к ожогам или пожару.

d) В критических ситуациях из аккумулятора может вытекать жидкость – избегайте контакта с ней. Если жидкость все же попала на поверхность кожи, смойте ее большим количеством воды. При попадании жидкости в глаза срочно обратитесь за медицинской помощью.

Жидкость, вытекающая из аккумулятора, может вызвать раздражение или ожоги.

e) Не используйте аккумуляторную батарею или инструмент, который поврежден или модифицирован. Поврежденные или модифицированные аккумуляторные батареи могут срабатывать непредсказуемым образом, что может привести к пожару, взрыву или риску получения травмы.

f) Не подвергайте аккумуляторную батарею или инструмент воздействию огня или чрезмерно высокой температуры. Воздействие огня или температуры выше 130 °C может привести к взрыву.

g) Следуйте всем инструкциям по зарядке и не заряжайте аккумулятор или инструмент вне диапазона температур, указанного в инструкциях. Неправильная зарядка или температура, выходящая за пределы указанного диапазона, может повредить аккумулятор и повысить риск возгорания.

6. СЕРВИСНОЕ ОБСЛУЖИВАНИЕ

- a) Ремонт электроинструмента должен выполняться квалифицированным персоналом с использованием только оригинальных запасных частей.** Это гарантирует безопасность его использования.
- b) Никогда не обслуживайте поврежденные аккумуляторы.** Обслуживание аккумуляторных батарей должно выполняться только производителем или авторизованными поставщиками сервисных услуг.

МЕРЫ ПРЕДОСТОРОЖНОСТИ ПРИ РАБОТЕ С ШУРУПОВЕРТОМ

- 1. Перед использованием правильно закрепите инструмент.** Этот инструмент создает высокий крутящий момент. Если инструмент не закрепить надлежащим образом, может произойти потеря контроля, что приведет к травмам.

ПРАВИЛА ТЕХНИКИ БЕЗОПАСНОСТИ ДЛЯ АККУМУЛЯТОРНОЙ БАТАРЕИ

- a) Не допускается разбирать, вскрывать, измельчать элементы питания и аккумуляторную батарею.**
- b) Не допускается накоротко замыкать элементы питания или аккумулятор. Не допускается беспорядочно хранить элементы питания или аккумулятор в коробке или ящике, где они могут замкнуть друг друга или могут быть замкнуты другими металлическими предметами.**

Если аккумуляторная батарея не используется, держите ее подальше от металлических предметов, таких как зажимы, монеты, гвозди, винты и прочие металлические предметы небольшого размера, которые могут соединить клеммы друг с другом. Короткое замыкание клемм батареи может стать причиной ожогов или пожара.

- c) **Не допускается подвергать аккумуляторную батарею воздействию высоких температур или пламени. Избегайте хранения аккумуляторной батареи в местах, подверженных воздействию прямого солнечного света.**
- d) **Не допускается подвергать аккумуляторную батарею механическим ударам**
- e) **В случае протечки аккумуляторной батареи, не допускайте контакта электролита с кожей или глазами. В случае такого контакта необходимо промыть пораженный участок обильным количеством воды и обратиться за медицинской помощью.**
- f) **Аккумуляторную батарею необходимо содержать в чистоте и сухости.**
- g) **В случае загрязнения контактов аккумуляторной батареи их необходимо протереть чистой сухой тканью.**
- h) **Аккумуляторную батарею необходимо заряжать перед использованием. Всегда следуйте данной инструкции и используйте правильный порядок зарядки.**
- i) **Не допускается оставлять аккумулятор на зарядном устройстве, если он не используется.**

- j) **После продолжительного хранения может потребоваться несколько раз зарядить и разрядить аккумуляторную батарею для достижения максимальной эффективности ее работы.**
- k) **Используйте только зарядные устройства, указанные Kress. Не допускается использовать какие-либо зарядные устройства, за исключением специально предназначенных для данного оборудования.**
- l) **Не допускается использовать какие-либо аккумуляторные батареи, не предназначенные для использования с данным оборудованием.**
- m) **Храните аккумуляторную батарею в местах, недоступных для детей.**
- n) **Следует сохранить оригинальную документацию на изделие для будущего использования.**
- o) **По возможности извлекайте аккумуляторную батарею из изделия, если она не используется.**
- p) **Утилизируйте аккумуляторную батарею должным образом.**
- q) **Не используйте аккумуляторы сторонних производителей**
- r) **Берегите аккумулятор от воздействия СВЧ-излучения и высокого давления.**

УСЛОВНЫЕ ОБОЗНАЧЕНИЯ

	Для сокращения риска травмы пользователь должен прочитать руководство по эксплуатации инструмента
	Предостережение
	Носите защиту органов зрения
	Носите защиту органов слуха
	Носите пылезащитную маску
	Запрещается сжигать

	При неправильной утилизации батареи могут попасть в водный цикл, что может быть опасным для экосистемы. Не выбрасывайте использованные батареи в несортированные бытовые отходы.
	Литий-ионный аккумулятор Этот продукт был отмечен символом, связанным с «раздельным сбором» для всех батарейных блоков и батареи. Затем он утилизируется или раскреплен, чтобы уменьшить воздействие на окружающую среду. Батарейный блок может быть вредны для окружающей среды и здоровья человека, поскольку они содержат вредные вещества.
	Отходы электрооборудования нельзя утилизировать вместе с бытовыми отходами. Пожалуйста, перерабатывайте там, где существуют объекты. Обратитесь к местным властям или продавцу за советом по утилизации.

ПЕРЕЧЕНЬ КОМПОНЕНТОВ

- 1. УПРАВЛЕНИЕ ПРЯМЫМ, РЕВЕРСНЫМ
ВРАЩЕНИЕМ И БЛОКИРОВКОЙ**
- 2. РУКОЯТКА С МЯГКИМ ПОКРЫТИЕМ**
- 3. КНОПКА ИЗВЛЕЧЕНИЯ И ФИКСАЦИИ
АККУМУЛЯТОРА**
- 4. АККУМУЛЯТОРНАЯ БАТАРЕЯ***
- 5. ПЕРЕКЛЮЧАТЕЛЬ ВКЛЮЧЕНИЯ/
ВЫКЛЮЧЕНИЯ С РЕГУЛЯТОРОМ
СКОРОСТИ**
- 6. СВЕТОДИОДНАЯ ПОДСВЕТКА**
- 7. ВТУЛКА ЗАЖИМНОГО ПАТРОНА**
- 8. ЭЛЕКТРОННЫЙ РЕГУЛЯТОР СКОРОСТИ**
- 9. ИНДИКАТОР ВКЛЮЧЕНИЯ**

*Не все показанные или описанные аксессуары включены в стандартную поставку.

ТЕХНИЧЕСКИЕ ДАННЫЕ

	KUB50.2
Номинальное напряжение	12V  Макс**

Скорость без нагрузки	0-3300/мин
Скорость ударного воздействия	0-1600/0-3500/0-4000уд/мин
Максимальный крутящий момент	140Нм
Максимальный диаметр насадок, вставляемых в патрон	6.35мм
Вес инструмента	0.88кг

**Напряжение измерено без рабочей нагрузки.
Первоначальное напряжение аккумулятора достигает максимум 12 В. Номинальное напряжение составляет 10.8 В.

ИНФОРМАЦИЯ О ШУМЕ

Измеренное звуковое давление	$L_{pA} = 78,0\text{dB}(A)$
Измеренная мощность шума	$L_{wA} = 89,0\text{dB}(A)$
K_{pA} & K_{wA}	3dB(A)


Носите защиту органов слуха

ИНФОРМАЦИЯ О ВИБРАЦИИ

Суммарные значения вибрации (трехкомпонентная векторная сумма), определенные согласно EN 62841

Значение вибрационного излучения	$a_n = 4,728\text{m/s}^2$
	Неопределенность $K = 1,5\text{m/s}^2$

Заявленное общее значение вибрации и заявленное значение шума были измерены в соответствии со стандартным методом испытаний и могут использоваться для сравнения одного инструмента с другим. Заявленное общее значение вибрации и заявленное значение уровня шума также могут использоваться для предварительной оценки воздействия.

 **ПРЕДОСТЕРЕЖЕНИЕ!** Значение вибрации при фактическом использовании электроинструмента может отличаться от заявленного значения в зависимости от способов использования инструмента: Вариантов его применения и обрезаемых или шлифуемых материалов.

Исправности инструмента и его правильного технического обслуживания.

Использования соответствующих аксессуаров и состояния всех режущих поверхностей и остроты их кромок.

Плотности захвата на рукоятках и использования каких-либо антивибрационных аксессуаров.

Использования инструмента в соответствии с его назначением и этими инструкциями.

Этот инструмент может вызвать тремор рук, если его использование не будет регулироваться должным образом.

 **ПРЕДОСТЕРЕЖЕНИЕ!** Для обеспечения максимальной точности при оценке уровня воздействия в реальных условиях использования должны также учитываться все аспекты рабочего цикла, такие как периоды времени, когда инструмент выключен, а также работает на холостом ходу и не выполняет фактическую работу. Это может значительно снизить уровень воздействия на оператора за весь рабочий период, позволяя минимизировать опасность воздействия вибрации и шума.

Всегда используйте заточенные лезвия, сверла и резцы. Обслуживайте этот инструмент в соответствии с данными инструкциями и хорошо смазывайте (при необходимости).

Если инструмент используется регулярно, приобретите антивибрационные аксессуары.

Планируйте свой график работы, чтобы разбить использование инструментов с высокой вибрацией на несколько дней.

АКСЕССУАРЫ

	KUB50.2
2.0Ah Аккумулятор-орная батарея (КРВ1202)	2
Зарядное устройство (КСН1202)	1
Биты	1
Держатель биты	1

Мы рекомендуем вам приобрести аксессуары в том же магазине, где вам продали инструмент. Для получения дополнительной информации см. упаковку. Сотрудники магазина смогут помочь вам и дать

ИНСТРУКЦИИ ПО ЭКСПЛУАТАЦИИ



ПРИМЕЧАНИЕ: Перед использованием инструмента внимательно прочитайте инструкцию.

ПРЕДУСМОТРЕННОЕ ИСПОЛЬЗОВАНИЕ

Этот инструмент предназначен для затяжки и выкручивания болтов, гаек и различных резьбовых крепежных элементов.

RU

82 ПЕРЕД НАЧАЛОМ ЭКСПЛУАТАЦИИ А) ЗАРЯДКА АККУМУЛЯТОРА

Зарядное устройство аккумулятора из комплекта поставки соответствует установленному в инструмент литий-ионному аккумулятору. Не применяйте другие зарядные устройства.

Литий-ионный аккумулятор защищен от глубокой разрядки.

При разрядке аккумулятора защитная цепь выключает инструмент: зажимной патрон больше не вращается. При высокой окружающей температуре или в результате интенсивного использования аккумулятор сильно нагревается и блокирует зарядку. Дайте аккумулятору охладиться перед зарядкой.

В) СНЯТИЕ ИЛИ УСТАНОВКА АККУМУЛЯТОРА (СМ. А)

Нажмите кнопку разблокировки аккумулятора и извлеките аккумулятор (4) из инструмента. После зарядки установите аккумулятор в инструмент. Для установки достаточно слегка прижать аккумулятор.

ЭКСПЛУАТАЦИЯ

1. УСТАНОВКА И СНЯТИЕ БИТЫ И ПАТРОНА ДЛЯ УСТАНОВКИ БИТ:

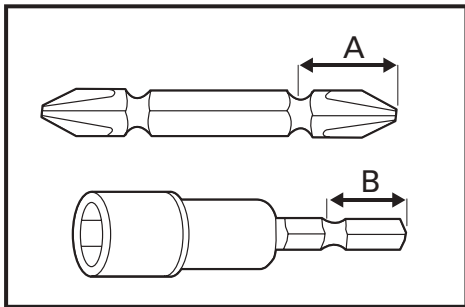
А). При установке биты потяните патрон в направлении стрелки и вставьте биту до упора в нижнюю часть патрона. Затем отпустите патрон, чтобы зафиксировать биту. (см. рис. В).

В). При установке биты потяните патрон в направлении стрелки и вставьте держатель биты и биту до упора в нижнюю часть патрона. Затем отпустите патрон, чтобы зафиксировать биту. (См. рис. С)

Примечание. Используйте только биты с указанными на рисунке хвостовиками

Для инструментов с глубоким отверстием под биты

A=17мм B=14мм	При использовании бит данного типа следуйте инструкции по установке, показанной на рис. В.
A=12мм B=9мм	При использовании бит данного типа следуйте инструкции по установке, показанной на рис. С. Примечание. Требуется держатель биты.



Извлечение биты:

При извлечении биты потяните патрон в направлении стрелки, показанной на рис. В/С, и извлеките биту.

2. БЛОКИРОВКА ПЕРЕКЛЮЧАТЕЛЯ

Для переключателя блокировки используется абсолютно новая электромагнитная технология вращения, которая является более надежной по сравнению с механической блокировкой. Питание инструмента полностью отключается, когда рычаг переключения находится в среднем положении, и инструмент невозможно включить даже с помощью принудительного нажатия кнопки; эта функция помогает предотвратить случайный запуск инструмента, когда он не используется.

3. РЕВЕРС

Для сверления и затяжки используйте прямое вращение,

обозначенное “◀◀” (переместите рычаг влево). Для выкручивания или извлечения застрявшего сверла используйте реверсивное вращение с маркировкой “▶▶” (переместите рычаг вправо).



Внимание! Запрещается изменять направление вращения при вращающемся патроне, дождитесь его остановки!

4. СВЕТОДИОДНАЯ ПОДСВЕТКА (6)

Чтобы включить подсветку, просто нажмите на переключатель включения/выключения (5). При отпуске переключателя включения/выключения подсветка выключается. Светодиодная подсветка улучшает видимость и отлично подходит для работы в условиях недостаточного освещения. Мигает при низком уровне заряда.

5. РУЧКА ЭЛЕКТРОННОГО РЕГУЛЯТОРА СКОРОСТИ (8)

Изменить скорость во время работы инструмента невозможно, если ручка электронного регулятора скорости заблокирована.

ТЕХНИЧЕСКОЕ ОБСЛУЖИВАНИЕ

В электроинструменте отсутствуют детали, подлежащие обслуживанию пользователем.

Никогда не используйте воду или химические чистящие средства для чистки электроинструмента. Протирайте его сухой тканью. Всегда храните электроинструмент в сухом месте. Содержите в чистоте вентиляционные отверстия двигателя.

ДЛЯ АККУМУЛЯТОРНЫХ ИНСТРУМЕНТОВ

Диапазон температур окружающей среды для использования и хранения инструмента и аккумулятора - 0°C-45°C.

Рекомендуемый диапазон температур окружающей среды для системы зарядки во время зарядки - 0°C-40°C.

ОХРАНА ОКРУЖАЮЩЕЙ СРЕДЫ



Отходы электрооборудования нельзя утилизировать вместе с бытовыми отходами.

Пожалуйста, перерабатывайте там, где существуют объекты. Обратитесь к местным властям или продавцу за советом по утилизации.

RU

84 ДЕКЛАРАЦИЯ СООТВЕТВИЯ

Мы
Positec Germany GmbH
Postfach 32 02 16, 50796 Cologne, Germany

Заявляем о нашем продукте
Описание **Батарейная дрель**
Тип **KUB50.2 (B50- категория оборудования, к которой относятся шуруповерты)**
Функция **Затяжка и выкручивание винтов и гаек**

Соответствует следующим директивам:
2006/42/EC
2011/65/EU&(EU)2015/863
2014/30/EU

Стандарты соответствуют

EN 55014-1
EN 55014-2
EN 62841-1
EN 62841-2-2

Лицо, уполномоченное составлять технический файл,

Название Marcel Filz

Адрес Positec Positec Germany GmbH

Postfach 32 02 16, 50796 Cologne, Germany



2022/03/11
Allen Ding
Заместитель главного инженера по тестированию и сертификации
Positec Technology (China) Co., Ltd
18, Dongwang Road, Suzhou Industrial
Park, Jiangsu 215123, P. R. China

**INSTRUKCJA ORYGINALNA
BEZPIECZEŃSTWO PRODUKTU
OGÓLNE OSTRZEŻENIA DOTYCZĄCE BEZPIECZEŃSTWA
PODZAS PRACY Z ELEKTRONARZĘDZIAMI**



OSTRZEŻENIE Przeczytaj wszystkie ostrzeżenia, instrukcje, ilustracje i specyfikacje dostarczone z elektronarzędziem. Niestosowanie się do podanych wskazówek może spowodować porażenie prądem, pożar i / lub ciężkie obrażenia ciała.

Należy dobrze przechowywać te przepisy. Użyte w dalszej części pojęcie „elektronarzędzie” odnosi się do elektronarzędzi napędzanych prądem (z kablem zasilającym) i do elektronarzędzi napędzanych akumulatorami (bez kabla zasilającego).

- 1) Miejsce pracy**
 - a) **Miejsce pracy należy utrzymywać w czystości i dobrze oświetlone.** Nieporządek i nie oświetlane zakreśy pracy mogą doprowadzić do wypadków.
 - b) **Nie należy pracować tym narzędziem w otoczeniu zagrożonym wybuchem, w którym znajdują się np. łatwopalne ciecze, gazy lub pyły.** Elektronarzędzia wywołują iskry, które mogą podpalić ten pył lub parę.
 - c) **Elektronarzędzie trzymać podczas pracy z daleka od dzieci i innych osób.** Przy odwróceniu uwagi można stracić kontrolę nad narzędziem.
- 2) Bezpieczeństwo elektryczne**
 - a) **Wtyczka urządzenia musi pasować do gniazda. Nie wolno zmieniać wtyczki w jakikolwiek sposób. Nie należy używać**

wtyczek adapterowych razem z uziemionymi narzędziami. *Niezmienione wtyczki i pasujące gniazda zmniejszają ryzyko porażenia prądem.*

- b) **Należy unikać kontaktu z uziemionymi powierzchniami jak rury, grzejniki, piece i lodówki.** *Istnieje zwiększone ryzyko porażenia prądem, gdy Państwa ciało jest uziemione.*
 - c) **Urządzenie natęży trzymać zabezpieczone przed deszczem i wilgocią.** *Wniknięcie wody do elektronarzędzia podwyższa ryzyko porażenia prądem.*
 - d) **Nigdy nie należy używać kabla do innych czynności. Nigdy nie używać kabla do noszenia urządzenia za kabel, zawieszenia lub do wyciągania wtyczki z gniazda. Kabel należy trzymać z daleka od wysokich temperatur, oleju; ostrych krawędzi lub ruchomych części urządzenia.** *Uszkodzone lub poplątane kable zwiększają ryzyko porażenia prądem.*
 - e) **W przypadku, że elektronarzędziem pracuje się na świeżym powietrzu należy używać kabla przedłużającego, który dopuszczony jest do używania na zewnątrz.** *Użycie dopuszczonego do używania na zewnątrz kabla przedłużającego zmniejsza ryzyko porażenia prądem.*
 - f) **Jeśli nie można uniknąć postugiwania się elektronarzędziem w miejscu o dużej wilgotności należy użyć zabezpieczonego zasilacza domowego (RCD).** *Stosowanie RCD zmniejsza ryzyko porażenia prądem elektrycznym.*
- 3) Bezpieczeństwo osób**
 - a) **Należy być uważnym, zważać na to co się robi i pracę elektronarzędziem rozpoczynać z rozsądkiem. Nie należy używać urządzenia gdy jest się zmęczonym lub pod wpływem**

narkotyków, alkoholu lub lekarstw. *Moment nieuwagi przy użyciu urządzenia może doprowadzić do poważnych obrażeń ciała.*

- b) Należy nosić osobiste wyposażenie ochronne i zawsze okulary ochronne.** *Noszenie osobistego wyposażenia ochronnego jak maska przeciwpyłowa, nie ślizgające się buty robocze, hełm ochronny lub ochrona słuchu, w zależności od rodzaju i użycia elektronarzędzia zmniejsza ryzyko obrażeń ciała.*
- c) Należy zapobiec przypadkowemu uruchomieniu. Przed podłączeniem do sieci zasilającej i/lub zestawu baterii, podniesieniem urządzenia i przenoszeniem urządzenia należy sprawdzić, czy przełącznik znajduje się w pozycji wyłączenia.** *W przypadku, że przy noszeniu urządzenia trzyma się palec na włączniku/wyłączniku lub włączone urządzenie podłączone zostanie do prądu, to może to doprowadzić do wypadków.*
- d) Zanim urządzenie zostanie włączone należy usunąć narzędzia nastawcze lub klucze.** *Narzędzie lub klucz, które znajdują się w ruchomych częściach urządzenia mogą doprowadzić do obrażeń ciała.*
- e) Nie należy przeceniać swoich możliwości. Należy dbać o bezpieczną pozycję pracy i zawsze utrzymywać równowagę.** *Przez to możliwa jest lepsza kontrola urządzenia w nieprzewidzianych sytuacjach.*
- f) Należy nosić odpowiednie ubranie. Nie należy nosić luźnego ubrania lub biżuterii. Wystrzegaj się kontaktu włosów, części odzieży lub rękawic ochronnych z ruchomymi częściami urządzenia.**

- g) W przypadku, że możliwe jest zamontowanie urządzeń odsysających lub podchwytyjących należy upewnić się, czy są one właściwie podłączone i prawidłowo użyte.** *Użycie tych urządzeń zmniejsza zagrożenie spowodowane pyłami.*
- h) Częste używanie urządzenia i rutyna może osłabić twoją uwagę i być przyczyną niedotrzymywania zasad bezpieczeństwa.** *Nieuważne działanie może spowodować poważne szkody w ułamku sekundy.*
- 4) Staranne obcowanie oraz użycie elektronarzędzi**
- a) Nie należy przeciążać urządzenia. Do pracy używać należy elektronarzędzia, które jest do tego przewidziane.** *Odpowiednim narzędziem pracuje się lepiej i bezpieczniej w podanym zakresie sprawności.*
- b) Nie należy używać elektronarzędzia, którego włącznik/wyłącznik jest uszkodzony.** *Elektronarzędzie, którego nie można włączyć lub wyłączyć jest niebezpieczne i musi zostać naprawione.*
- c) Przed przystąpieniem do wykonywania jakichkolwiek regulacji, ustawień wymiany osprzętu lub składowania urządzenia należy odłączyć wtyczkę od źródła zasilania i/ lub wyjąć akumulator.** *Ten środek ostrożności zapobiega niezamierzonemu włączeniu się urządzenia.*
- d) Nie używane elektronarzędzia należy przechowywać poza zasięgiem dzieci. Nie należy dać narzędzia do użytku osobom, które jego nie znają lub nie przeczytały tych przepisów.** *Używane przez niedoświadczonych osoby elektronarzędzia są niebezpieczne.*

- e) **Dotrzymuj regularnego wykonywania konserwacji urządzenia i osprzętu. Należy kontrolować, czy ruchome części urządzenia funkcjonują bez zarzutu i nie są zablokowane, czy części nie są pęknięte lub uszkodzone, co mogłoby mieć wpływ na prawidłowe funkcjonowanie urządzenia. Uszkodzone części należy przed użyciem urządzenia oddać do naprawy. Wiele wypadków spowodowanych jest przez niewłaściwą konserwację elektronarzędzi.**
- f) **Narzędzia tnące należy utrzymywać ostre i czyste. Starannie pielęgnowane narzędzia tnące z ostrymi krawędziami tnącymi zablokują się rzadziej i łatwiej się je prowadzi.**
- g) **Elektronarzędzia, osprzęt, narzędzia itd. należy używać odpowiednio do tych przepisów i tak, jak jest to przewidziane dla tego specjalnego typu urządzenia. Uwzględnić należy przy tym warunki pracy i czynność do wykonania. Użycie elektronarzędzi do innych niż przewidziane prace może doprowadzić do niebezpiecznych sytuacji.**
- h) **Uchwyty oraz powierzchnie elementów obsługi urządzenia utrzymywać suche, czyste, bez oleju i smaru. Śliskie uchwyty oraz inne powierzchnie stanowią przeszkodę w bezpiecznej obsłudze i kontroli nad narzędziem w nieoczekiwanych sytuacjach.**
- 5) **Staranne użytkowanie elektronarzędzi napędzanych akumulatorami**
- a) **Akumulatory należy ładować tylko w ładowarkach, które poleci producent. Dla ładowarki, która nadaje się do ładowania określonych**

akumulatorów istnieje niebezpieczeństwo pożaru, gdy użyte zostaną inne akumulatory.

- b) **Do elektronarzędzi należy używać jedynie przewidzianych do tego akumulatorów. Użycie innych akumulatorów może doprowadzić do obrażeń ciała i niebezpieczeństwa pożaru.**
- c) **Nie używany akumulator należy trzymać z daleka od spinaczy, monet, kluczy, gwoździ, śrub lub innych małych przedmiotów metalowych, które mogłyby spowodować zmostkowanie kontaktów. Zwarcie pomiędzy kontaktami akumulatora może spowodować oparzenia lub pożar.**
- d) **Przy niewłaściwym użyciu możliwe jest wydostanie się cieczy z akumulatora. Należy unikać kontaktu z nią. Przy przypadkowym kontakcie splukać wodą. W przypadku, że ciecz dostała się do oczu należy dodatkowo skonsultować się z lekarzem. Ciecz akumulatorowa może doprowadzić do podrażnienia skóry lub oparzeń,**
- e) **Zabrania się używania uszkodzonego lub zmodyfikowanego akumulatora lub urządzenia. Uszkodzone lub zmodyfikowane akumulatorki mogą działać w nieoczekiwany sposób wywołując pożar, eksplozję lub zagrożenie zranienia osób.**
- f) **Zabrania się wystawiania akumulatora lub urządzenia na działanie ognia lub podwyższonej temperatury. Działanie ognia lub temperatury przekraczającej 130 °C może spowodować eksplozję.**
- g) **Kierować się instrukcjami dotyczącymi sposobu ładowania, nie wystawiać**

akumulatorka na działanie temperatury poza zakresem podanym w instrukcji obsługi.

Niewłaściwy sposób ładowania akumulatora lub działanie temperatury poza zakresem podanym w instrukcji, może być przyczyną uszkodzenia akumulatora lub nastanie podwyższonego ryzyka wybuchu pożaru.

6) Serwis

a) Naprawę urządzenia należy zlecić jedynie kwalifikowanemu fachowcowi i przy użyciu oryginalnych części zamiennych. *To gwarantuje, że bezpieczeństwo urządzenia zostanie zachowane.*

b) Zabrania się dokonywania naprawy uszkodzonego akumulatora. *Naprawę akumulatora może wykonywać wyłącznie producent lub autoryzowany punkt serwisowy.*

OSTRZEŻENIE DOTYCZĄCE BEZPIECZEŃSTWA PRACY Z WKRĘTARKĄ

1. Dobrze podeprzyj narzędzie przed użyciem.

Wytwarza ono duży wyjściowy moment siły i bez prawidłowego podparcia podczas pracy może nastąpić utrata kontroli i obrażenia osobiste.

INSTRUKCJA BEZPIECZEŃSTWA DOTYCZĄCA MODUŁU AKUMULATORA

a) Nie demontuj, nie otwieraj lub nie niszcz ogniwa pomocniczych lub modułu akumulatora.

- b) Nie zwieraj ogniwa lub modułu akumulatora. Nie przechowuj ogniwa lub modułu akumulatora w sposób bezładny w pudle lub szufladzie, gdzie mogą się wzajemnie zewrzeć lub ulec zwarcia przez inne metalowe przedmioty.** Nie używany akumulator należy trzymać z daleka od spinaczy, monet, kluczy, gwoździ, śrub lub innych małych przedmiotów metalowych, które mogłyby spowodować zmostkowanie kontaktów. Zwarcie pomiędzy kontaktami akumulatora może spowodować oparzenia lub pożar.
- c) Nie narażaj ogniwa lub modułu akumulatora na działanie ciepła lub ognia. Unikaj składowania w miejscach pod bezpośrednim działaniem światła słonecznego.**
- d) Nie narażaj ogniwa lub modułu akumulatora na uderzenia mechaniczne.**
- e) W razie wycieku z ogniwa, nie dopuść, aby płyn zetknął się ze skórą lub dostał się do oczu. Jeśli już nastąpił kontakt z płynem, przemyj skażoną powierzchnię dużą ilością wody i zwróć się o pomoc medyczną.**
- f) Utrzymuj ogniwa i moduł akumulatora w czystości i w stanie suchym.**
- g) Jeśli zaciski ogniwa lub akumulatora zostały zanieczyszczone, oczyść je czystą i suchą szmatką.**
- h) Ogniwa pomocnicze i moduł akumulatora należy przed użyciem naładować. Zawsze używaj właściwej ładowarki i przestrzegaj instrukcji ładowania zawartej w instrukcji obsługi dostarczonej przez producenta urządzenia.**
- i) Nie pozostawiaj modułu akumulatora na długie ładowanie, jeśli go nie używasz.**

- j) **Po dłuższym okresie składowania może być niezbędne kilkukrotne naładowanie i rozładowanie ogni w lub modułu akumulatora, aby uzyskać optymalną wydajność.**
- k) **Do ładowania używaj tylko ładowarki określonej przez producenta. Nie należy używać ładowarek innych niż te, które są przeznaczone do użytku z tym narzędziem.**
Ładowarki do jednego rodzaju zestawu akumulatorów mogą stanowić zagrożenie pożarowe, gdy są używane z innym zestawem akumulatorów.
- l) **Nie używaj ogniwa lub modułu akumulatora nie przeznaczonego do pracy z danym urządzeniem.**
- m) **Trzymaj ogniwa i moduł akumulatora poza zasięgiem dzieci.**
- n) **Zachowaj oryginalne instrukcje produktu do wglądu.**
- o) **Kiedy to możliwe, wyjmuj moduł akumulatora, jeśli urządzenia się nie używa.**
- p) **Zużyte ogniwa i akumulatory utylizuj zgodnie z zasadami gospodarki odpadami.**
- q) **Nie używaj w urządzeniu ogni w różnych producentów, pojemności i wymiarów.**
- r) **Chroń baterię przed mikrofalami i wysokim ciśnieniem.**

	Ostrzeżenie
	Używać ochrony wzroku
	Używać ochrony słuchu
	Używać maski przeciwpyłowej
	Nie wrzucać do ognia
	W przypadku niewłaściwej obsługi bateria może przedostać się do obiegu wody i spowodować uszkodzenie ekosystemu. Nie wyrzucaj zużytych baterii jako nieposortowanych odpadów komunalnych.

SYMBOLE



Aby zmniejszyć niebezpieczeństwo odniesienia obrażeń, użytkownik powinien przeczytać podręcznik z instrukcjami



Odpady wyrobów elektrycznych nie powinny być wyrzucane razem z odpadami gospodarstwa domowego. Należy korzystać z recyklingu, jeśli istnieje odpowiednia infrastruktura. Porady dotyczące recyklingu można uzyskać u władz lokalnych lub sprzedawcy detalicznego.



Akumulator litowo-jonowy, który został oznaczony symbolami związanymi z "oddzielną zbiórką" wszystkich zestawów akumulatorów i akumulatorów. Następnie jest poddawany recyklingowi lub usuwany, aby zmniejszyć wpływ na środowisko. Akumulatory mogą być szkodliwe dla środowiska i zdrowia ludzkiego, ponieważ zawierają szkodliwe substancje.



LISTA KOMPONENTÓW

- 1. STEROWANIE OBROTEM W PRZÓD, WSTECZ I STEROWANIE BLOKADĄ**
- 2. MIĘKKI UCHWYT**
- 3. POKRĘTŁO BLOKUJĄCE AKUMULATOR***
- 4. AKUMULATOR***
- 5. PRZEŁĄCZNIK WŁ./WYŁ. Z REGULACJĄ PRĘDKOŚCI**
- 6. DIODA LED**

7. TULEJA ZACISKOWA

8. POKRĘTŁO ELEKTRONICZNEGO STEROWANIA PRĘDKOŚCIĄ

9. KONTROLKA ZASILANIA

* Nie wszystkie pokazane na ilustracji akcesoria są dostarczane standardowo.

DANE TECHNICZNE

	KUB50.2
Napięcie znamionowe	12V Max**
Prędkość znamionowa bez obciążenia	0-3300/min
Częstotliwość udarów bez obciążenia	0-1600/0-3500/0-4000bpm
Maksymalny moment obrotowy	140Nm
Pojemność uchwytu	6.35mm
Masa maszyny	0.88kg

** Napięcie mierzone bez obciążenia. Początkowe napięcie akumulatora osiąga maksymalną wartość 12V. Napięcie nominalne wynosi 10.8V.

DANE DOTYCZĄCE HAŁASU I WIBRACJI

Ważone ciśnienie akustyczne $L_{pA} = 78,0\text{dB(A)}$

Ważona moc akustyczna $L_{wA} = 89,0\text{dB(A)}$

$K_{pA} \& K_{wA}$ 3dB(A)


Używać ochrony słuchu.

INFORMACJE DOTYCZĄCE DRGAŃ

Łączna wartość drgań (suma wektora triax) określona według normy EN 62841:

Wartość przenoszenia wibracji value	$a_n = 4,728\text{m/s}^2$ Niepewność K = 1,5m/s ²
--	---


Deklarowana wartość całkowita drgań oraz deklarowanych wartości emisji hałasu zostały zmierzone zgodnie ze standardową metodą wykonywania badań i mogą być stosowane do porównywania właściwości różnych urządzeń. Deklarowana wartość całkowita drgań i zadeklarowana wartość emisji hałasu może być zastosowana również do wstępnej oceny zagrożenia.

 **OSTRZEŻENIE:** Wibracje oraz emisja hałasu podczas rzeczywistego użytkowania elektronarzędzia może się różnić od podanej wartości, w zależności od sposobu używania urządzenia, przede wszystkim od typu obrabianego materiału i możliwości korzystania z urządzenia: Jak używane jest narzędzie oraz, czy materiał jest cięty czy wiercony.

Czy narzędzie jest w dobrym stanie i czy jest prawidłowo konserwowane.

Czy używane są prawidłowe akcesoria narzędzia i czy narzędzie jest właściwie naostrzone oraz w dobrym stanie. Czy zastosowano elementy poprawiające przyleganie uchwytów oraz elementy do wyeliminowania wszelkich drgań i hałasu urządzenia. Oraz, czy narzędzie jest używane zgodnie z przeznaczeniem i według instrukcji.

Nieprawidłowe prowadzenie tego narzędzia może spowodować syndrom wibracji rąk.

 **OSTRZEŻENIE:** W szczególności, oszacowanie poziomu ekspozycji w rzeczywistych warunkach używania powinno brać także pod uwagę wszystkie elementy cyklu działania, takie jak czasy wyłączenia narzędzia i czas bezczynności, ale nie rzeczywiste wykonywaną pracę. Może to znacznie zmniejszyć poziom ekspozycji w całym okresie pracy. Pomaga zminimalizować ryzyko występowania drgań i podwyższonego poziomu hałasu. Należy ZAWSZE używać ostrych dłut, wiertel i ostrzy. Narzędzie należy konserwować z godnie z instrukcjami i prawidłowo smarować (w odpowiednich miejscach). Jeżeli urządzenie będzie stosowane regularnie zaleca się wyposażać urządzenie w wyposażenie eliminujące wibracje i hałas. Należy zaplanować harmonogram pracy w celu rozłożenia używania narzędzi wytwarzających wysoki poziom drgań na kilka dni.

AKCESORIA

	KUB50.2
Akumulator litowy 2.0 Ah (KPB1202)	2
Ładowarka (KCH1202)	1
Końcówki wkrętakowe	1
Element końcówki wkrętakowej	1

Zalecamy zakup akcesoriów w sklepie, w którym sprzedawane są narzędzia. Aby uzyskać więcej informacji, zobacz pakiet akcesoriów. Personel sklepu może ci pomóc i doradzić.

PL

92

INSTRUKCJE OBSŁUGI



UWAGA: Przed użyciem narzędzia przeczytać uważnie instrukcję obsługi.

Zastosowanie

To narzędzie jest przeznaczone do mocowania i luzowania śrub, nakrętek i różnych łączników gwintowanych.

PRZED URUCHOMIENIEM

A) ŁADOWANIE AKUMULATORA

Dostarczona ładowarka jest dopasowana do akumulatora litowo-jonowego zainstalowanego w maszynie. Nie używaj innej ładowarki akumulatorów.

Akumulator litowo-jonowy jest zabezpieczony przed głębokim rozładowaniem.

Gdy akumulator jest rozładowany, maszyna jest wyłączana za pomocą obwodu ochronnego: Uchwyt już się nie obraca. W otoczeniu gorącym lub po intensywnym użyciu pakiet

akumulatora może być zbyt gorący, by pozwalać na ładowanie. Pozostaw akumulator do wystygnięcia przed ponownym ładowaniem.

B) ABY WYJĄĆ LUB ZAINSTALOWAĆ PAKIET AKUMULATORÓW (PATRZ A)

Nacisnąć przycisk zwalniający i wysunąć pakiet akumulatorów (4) z narzędzia. Po naładowaniu wsunąć go z powrotem do narzędzia. Wystarczy proste pchnięcie i lekki docisk.

OPERACJA

1. JAK ZAINSTALOWAĆ I ZDEJMOWAĆ KOŃCÓWKĘ WKRĘTAKOWĄ I GNIAZDO DO INSTALOWANIA KOŃCÓWEK

A). Instalując końcówkę wkrętakową, pociągnij gniazdo w kierunku strzałki i włóż końcówkę aż do dna gniazda. Następnie zwolnij gniazdo, aby zablokować końcówkę wkrętakową. (Patrz Rys. B)

B). Instalując końcówkę wkrętakową, pociągnij gniazdo w kierunku strzałki i włóż element końcówki wkrętakowej i końcówkę aż do dna gniazda. Następnie zwolnij gniazdo, aby zablokować końcówkę wkrętakową. (Patrz Rys. C)

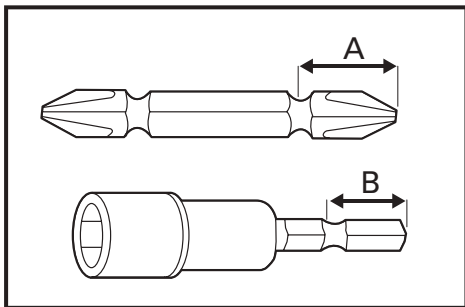
Uwaga: Stosuj tylko końcówki wkrętakowe z przedstawionymi wkładkami.

Dla narzędzi z głębokim otworem na końcówki wkrętakowe

A=17MM B=14MM	Stosując ten typ końcówek wkrętakowych przestrzegaj kroków instalacyjnych przedstawionych na Rys. B.
------------------	--

A=12MM
B=9MM

Stosując ten typ końcówek wkrętakowych, przestrzegaj kroków instalacyjnych przedstawionych na Rys. C. Uwaga: Element końcówki wkrętakowej nie jest wymagany.



Aby wyjąć końcówki:

Wyjmując końcówkę wkrętakową, pociągnij gniazdo w kierunku strzałki jak na Rys. B/C i wyciągnij końcówkę.

2. BLOKADA PRZEŁĄCZNIKA

Do blokady przełącznika zastosowano całkowicie nową, elektromagnetyczną technikę kierunkową, co jest bardziej niezawodne niż kierunkowa konstrukcja mechaniczna, zasilanie urządzenia jest całkowicie odcinane, gdy dźwignia przełącznika jest w pozycji środkowej, zaś urządzenie nie uruchomi się, gdy naciśnie się przycisk na siłę. Ta funkcja jest

pomocna dla zapobiegania przypadkowemu uruchomieniu urządzenia, gdy nie jest ono używane.

3. DWUSTRONNY

Do wiercenia i wkręcania śrub stosuj obrót w przód oznaczony "◀◀" (dźwignia w lewo). Stosuj tylko obrót wstecz oznaczony "▶▶" (dźwignia w prawo), aby usuwać śruby lub uwalniać zakleszczoną końcówkę.

⚠ Ostrzeżenie: Nigdy nie zmieniaj kierunku obrotów, gdy uchwyt się obraca, poczekaj, aż się zatrzyma.

4. WŁĄCZNIK LED (6)

Aby włączyć lampkę, wystarczy nacisnąć przełącznik wł./wył. (5). Po zwolnieniu przełącznika wł./wył. lampka zgaśnie. Lampka LED zwiększa widoczność - doskonale sprawdza się w ciemnych lub zamkniętych miejscach. Będzie migać, gdy moc będzie spadać.

5. POKRĘTŁO ELEKTRONICZNEJ REGULACJI PRĘDKOŚCI (8)

Prędkości nie można regulować podczas pracy urządzenia, jeżeli pokrętło elektronicznej regulacji prędkości jest zablokowane.

KONSERWACJA

Narzędzie to nie wymaga żadnego dodatkowego smarowania czy konserwacji.

W narzędziu nie ma żadnych części, które wymagałyby serwisowania przez użytkownika. Nigdy nie należy używać wody czy środków czyszczących do czyszczenia narzędzia z napędem. Czyścić suchą szmatką. Zawsze należy przechowywać narzędzie w suchym miejscu. Utrzymywać

w czystości otwory wentylacyjne silnika. Utrzymywać wszystkie urządzenia sterujące w czystości. W otworach wentylacyjnych mogą pojawiać się iskry, jest to normalne i nie spowoduje uszkodzenia narzędzia.

ZALECENIA DLA NARZĘDZI AKUMULATOROWYCH

Zakres temperatury roboczej i przechowywania narzędzi oraz akumulatora wynosi 0°C-45°C.

Zalecany zakres temperatury ładowania dla układu ładowania wynosi 0°C-40°C.

OCHRONA ŚRODOWISKA



Odpady wyrobów elektrycznych nie powinny być wyrzucane razem z odpadami gospodarstwa domowego. Należy korzystać z recyklingu, jeśli istnieje odpowiednia infrastruktura. Porady dotyczące recyklingu można uzyskać u władz lokalnych lub sprzedawcy detalicznego.

DEKLARACJA ZGODNOŚCI

My,
POSITEC Germany GmbH
Postfach 32 02 16, 50796 Cologne, Germany

deklarujemy, że produkt,

Opis **Wiertarka zasilana akumulatorem**

Typ **KUB50.2 (B50- oznaczenie maszyny,
przedstawiciel wkrętarki)**

Funkcja **Dokręcanie i odkręcanie śrub, nakrętek**

jest zgodny z następującymi dyrektywami,
2006/42/EC
2011/65/EU&(EU)2015/863
2014/30/EU

Normy są zgodne z

EN 55014-1

EN 55014-2

EN 62841-1

EN 62841-2-2

Osoba upoważniona do kompilacji pliku technicznego,

Nazwa Marcel Filz

Adres Positec Germany GmbH

Postfach 32 02 16, 50796 Cologne, Germany



2022/03/11

Allen Ding

Zastępca głównego inżyniera, testowanie i certyfikacja

Positec Technology (China) Co., Ltd

18, Dongwang Road, Suzhou Industrial

Park, Jiangsu 215123, P. R. China

Kress 

Copyright © 2022, Positec. All Rights Reserved.
AR01615902