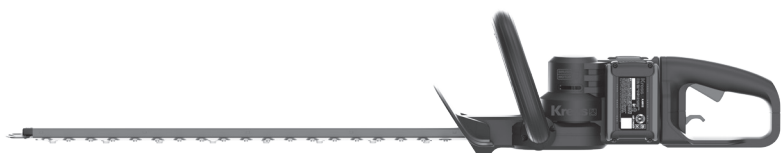


# Kress



40V Cordless Hedge Trimmer	EN	P02
Akku-Heckenschere 40 V	D	P13
Taille-haie sans fil 40 V	F	P25
Tagliasiepi a batteria 40V	I	P37
Recortadora de setos sin cable 40V	ES	P49
40 V snoerloze heggenschaar	NL	P61
Batteridrevet 40 V hækkklipper	DK	P73
Аккумуляторная машинка для подстригания живой изгороди на 40 В	RU	P84
40 V sladdlös häcktrimmer	SV	P97
<b>KG285 KG285.X</b>		

# TABLE OF CONTENTS

INTRODUCTION.....	2
COMPONENT LIST.....	3
SAFETY INSTRUCTIONS.....	4
OPERATINGINSTRUCTIONS.....	7
MAINTENANCE.....	10
TECHNICAL DATA.....	10
ENVIRONMENTAL PROTECTION.....	11
DECLARATION OF CONFORMITY.....	11

## INTRODUCTION

Dear Customer,

EN

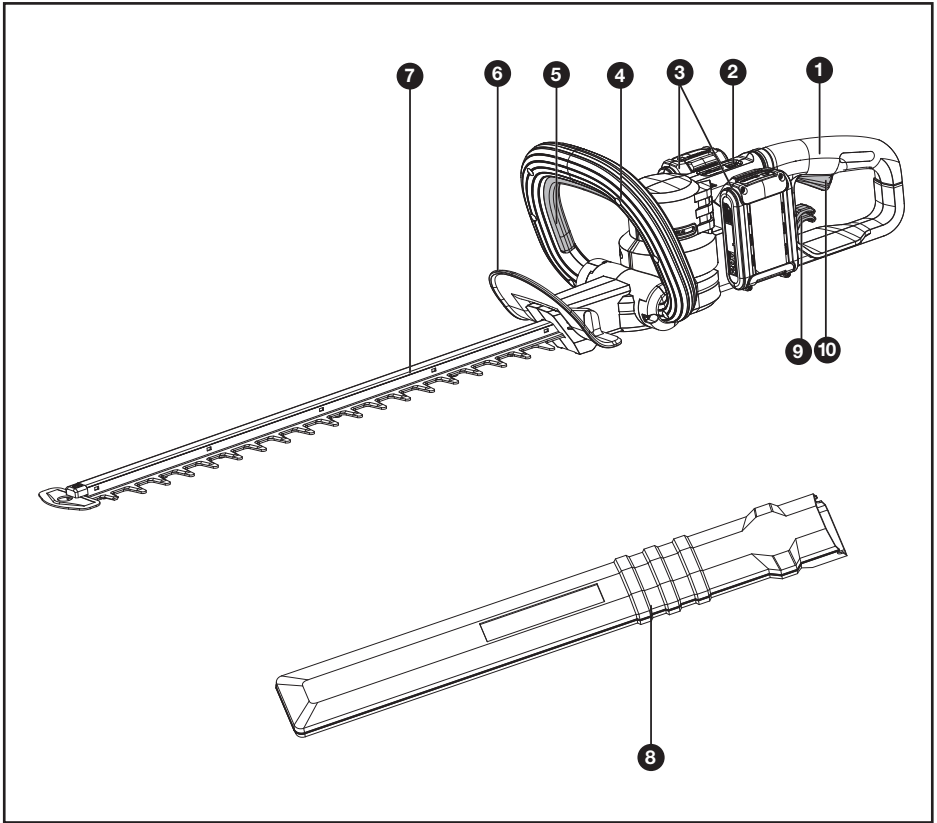
Thank you for buying this Kress product. We are dedicated to developing high quality products to meet your landscaping requirements.

The Kress brand is synonymous with premium quality service. Over the years of your products life, if you have any questions or concerns about your product, please contact your location of purchase or our Customer Service Team for assistance.

We are confident you will enjoy working with your Kress product for years to come.

## INTENDED USE

The machine is intended for cutting and trimming hedges and bushes in residential use.



## COMPONENT LIST

- |     |   |
|-----|---|
| 1.  | ROTATING REAR HANDLE                                  |
| 2.  | POWER INDICATOR LIGHT                                 |
| 3.  | BATTERY PACK*   |
| 4.  | FRONT HANDLE  |
| 5.  | OPERATOR PRESENCE SWITCH (ALL AROUND SWITCH FUNCTION) |
| 6.  | SAFETY GUARD  |
| 7.  | BLADE   |
| 8.  | BLADE SHEATH  |
| 9.  | LOCKING SWITCH FOR ROTATING                           |
| 10. | THROTTLE TRIGGER                                      |
| 11. | BATTERY PACK RELEASE BUTTON* (SEE FIG. E)             |


\* Not all the accessories illustrated or described are included in standard delivery.

# ORIGINAL INSTRUCTIONS

## PRODUCT SAFETY

### GENERAL POWER TOOL

### SAFETY WARNINGS

 **WARNING** Read all safety warnings, instructions, illustrations and specifications provided with this power tool. Failure to follow all instructions listed below may result in electric shock, fire and/or serious injury.

Save all warnings and instructions for future reference.

The term "power tool" in the warnings refers to your mains-operated (corded) power tool or battery-operated (cordless) power tool.

#### 1. Work area safety

- a) **Keep work area clean and well lit.** Cluttered or dark areas invite accidents.
- b) **Do not operate power tools in explosive atmospheres, such as in the presence of flammable liquids, gases or dust.** Power tools create sparks which may ignite the dust or fumes.
- c) **Keep children and bystanders away while operating a power tool.** Distractions can cause you to lose control.

#### 2. Electrical safety

- a) **Power tool plugs must match the outlet.** Never modify the plug in any way. Do not use any adapter plugs with earthed (grounded) power tools. Unmodified plugs and matching outlets will reduce risk of electric shock.
- b) **Avoid body contact with earthed or grounded surfaces, such as pipes, radiators, ranges and refrigerators.** There is an increased risk of electric shock if your body is earthed or grounded.
- c) **Do not expose power tools to rain or wet conditions.** Water entering a power tool will increase the risk of electric shock.
- d) **Do not abuse the cord.** Never use the cord for carrying, pulling or unplugging the power tool. Keep cord away from heat, oil, sharp edges or moving parts. Damaged or entangled cords increase the risk of electric shock.
- e) **When operating a power tool outdoors, use an extension cord suitable for outdoor use.** Use of a cord suitable for outdoor use reduces the risk of electric shock.
- f) **If operating a power tool in a damp location is unavoidable, use a residual current device (RCD) protected supply.** Use of an RCD reduces the risk of electric shock.

#### 3. Personal safety

- a) **Stay alert, watch what you are doing and use common sense when operating a power tool.** Do not use a power tool while you are tired or under the influence of drugs, alcohol

or medication. A moment of inattention while operating power tools may result in serious personal injury.

- b) **Use personal protective equipment. Always wear eye protection.** Protective equipment such as dust mask, non-skid safety shoes, hard hat, or hearing protection used for appropriate conditions will reduce personal injuries.
  - c) **Prevent unintentional starting.** Ensure the switch is in the off-position before connecting to power source and/or battery pack, picking up or carrying the tool. Carrying power tools with your finger on the switch or energising power tools that have the switch on invites accidents.
  - d) **Remove any adjusting key or wrench before turning the power tool on.** A wrench or a key left attached to a rotating part of the power tool may result in personal injury.
  - e) **Do not overreach. Keep proper footing and balance at all times.** This enables better control of the power tool in unexpected situations.
  - f) **Dress properly. Do not wear loose clothing or jewellery. Keep your hair and clothing away from moving parts.** Loose clothes, jewellery or long hair can be caught in moving parts.
  - g) **If devices are provided for the connection of dust extraction and collection facilities, ensure these are connected and properly used.** Use of dust collection can reduce dust-related hazards.
  - h) **Do not let familiarity gained from frequent use of tools allow you to become complacent and ignore tool safety principles.** A careless action can cause severe injury within a fraction of a second.
- #### 4. Power tool use and care
- a) **Do not force the power tool.** Use the correct power tool for your application. The correct power tool will do the job better and safer at the rate for which it was designed.
  - b) **Do not use the power tool if the switch does not turn it on and off.** Any power tool that cannot be controlled with the switch is dangerous and must be repaired.
  - c) **Disconnect the plug from the power source and/or remove the battery pack, if detachable, from the power tool before making any adjustments, changing accessories, or storing power tools.** Such preventive safety measures reduce the risk of starting the power tool accidentally.
  - d) **Store idle power tools out of the reach of children and do not allow persons unfamiliar with the power tool or these instructions to operate the power tool.** Power tools are dangerous in the hands of untrained users.
  - e) **Maintain power tools and accessories.** Check for misalignment or binding of moving parts, breakage of parts and any other condition that may affect the power tool's

operation. If damaged, have the power tool repaired before use. Many accidents are caused by poorly maintained power tools.

- f) **Keep cutting tools sharp and clean.** Properly maintained cutting tools with sharp cutting edges are less likely to bind and are easier to control.
  - g) **Use the power tool, accessories and tool bits etc. in accordance with these instructions, taking into account the working conditions and the work to be performed.** Use of the power tool for operations different from those intended could result in a hazardous situation.
  - h) **Keep handles and grasping surfaces dry, clean and free from oil and grease.** Slippery handles and grasping surfaces do not allow for safe handling and control of the tool in unexpected situations.
- 5. Battery tool use and care**
- a) **Recharge only with the charger specified by the manufacturer.** A charger that is suitable for one type of battery pack may create a risk of fire when used with another battery pack.
  - b) **Use power tools only with specifically designated battery packs.** Use of any other battery packs may create a risk of injury and fire.
  - c) **When battery pack is not in use, keep it away from other metal objects, like paper clips, coins, keys, nails, screws or other small metal objects, that can make a connection from one terminal to another.** Shorting the battery terminals together may cause burns or a fire.
  - d) **Under abusive conditions, liquid may be ejected from the battery; avoid contact. If contact accidentally occurs, flush with water. If liquid contacts eyes, additionally seek medical help.** Liquid ejected from the battery may cause irritation or burns.
  - e) **Do not use a battery pack or tool that is damaged or modified.** Damaged or modified batteries may exhibit unpredictable behaviour resulting in fire, explosion or risk of injury.
  - f) **Do not expose a battery pack or tool to fire or excessive temperature.** Exposure to fire or temperature above 130 °C may cause explosion.
  - g) **Follow all charging instructions and do not charge the battery pack or tool outside the temperature range specified in the instructions.** Charging improperly or at temperatures outside the specified range may damage the battery and increase the risk of fire.
- 6. Service**
- a) **Have your power tool serviced by a qualified repair person using only identical replacement parts.** This will ensure that the safety of the power tool is maintained.
  - b) **Never service damaged battery packs.** Service of battery packs should only be performed by the manufacturer or authorized

service providers.

## HEDGE TRIMMER SAFETY WARNINGS












- a) **Keep all parts of the body away from the blade. Do not remove cut material or hold material to be cut when blades are moving.** Blades continue to move after the switch is turned off. A moment of inattention while operating the hedge trimmer may result in serious personal injury.
- b) **Carry the hedge trimmer by the handle with the blade stopped and taking care not to operate any power switch.** Proper carrying of the hedge trimmer will decrease the risk of inadvertent starting and resultant personal injury from the blades.
- c) **When transporting or storing the hedge trimmer, always fit the blade cover.** Proper handling of the hedge trimmer will decrease the risk of personal injury from the blades.
- d) **When clearing jammed material or servicing the unit, make sure all power switches are off and the battery back is removed or disconnected.** Unexpected actuation of the hedge trimmer while clearing jammed material or servicing may result in serious personal injury.
- e) **Hold the hedge trimmer by insulated gripping surfaces only, because the blade may contact hidden wiring.** Blades contacting a "live" wire may make exposed metal parts of the hedge trimmer "live" and could give the operator an electric shock.
- f) **Keep all power cords and cables away from cutting area.** Power cords or cables may be hidden in hedges or bushes and can be accidentally cut by the blade.
- g) **Do not use the hedge trimmer in bad weather conditions, especially when there is a risk of lightning.** This decreases the risk of being struck by lightning.
- h) **Check the hedges and bushes for foreign objects, e.g. wire fences and hidden wiring.**
  - i) **Hold the hedge trimmer properly, e.g. with both hands if two handles are provided.**
  - j) **The hedge trimmer is intended to be used by the operator at ground level and not on ladders or any other unstable support.**
  - k) **Before operating the hedge trimmer, the user should make sure the locking device(s) of any moving elements (e.g. the extended shaft and pivoting element), if any, are in the locked position.**
  - l) **Have any adjustable stopping mechanism maintained at regular intervals.**

## SAFETY WARNINGS FOR BATTERY PACK



- a) **Do not dismantle, open or shred cells or**

**battery pack.**


- b) **Do not short-circuit a battery pack. Do not store battery packs haphazardly in a box or drawer where they may short-circuit each other or be short-circuited by conductive materials.** When battery pack is not in use, keep it away from other metal objects, like paper clips, coins, keys, nails, screws or other small metal objects, that can make a connection from one terminal to another. Shorting the battery terminals together may cause burns or a fire.
- c) **Do not expose battery pack to heat or fire. Avoid storage in direct sunlight.**
- d) **Do not subject battery pack to mechanical shock.**
- e) **In the event of battery leaking, do not allow the liquid to come into contact with the skin or eyes. If contact has been made, wash the affected area with copious amounts of water and seek medical advice.**
- f) **Keep battery pack clean and dry.**
- g) **Wipe the battery pack terminals with a clean dry cloth if they become dirty.**
- h) **Battery pack needs to be charged before use. Always refer to this instruction and use the correct charging procedure.**
- i) **Do not maintain battery pack on charge when not in use.**
- j) **After extended periods of storage, it may be necessary to charge and discharge the battery pack several times to obtain maximum performance.**
- k) **Recharge only with the charger specified by Kress. Do not use any charger other than that specifically provided for use with the equipment.**
- l) **Do not use any battery pack which is not designed for use with the equipment.**
- m) **Keep battery pack out of the reach of children.**
- n) **Retain the original product literature for future reference.**
- o) **Remove the battery from the equipment when not in use.**
- p) **Dispose of properly.**
- q) **Do not mix cells of different manufacture, capacity, size or type within a device.**
- r) **Keep the battery away from microwaves and high pressure.**


	Wear ear protection
	Wear eye protection
	Wear dust mask
	Do not expose to rain
	Do not burn
	Batteries may enter water cycle if disposed improperly, which can be hazardous for ecosystem. Do not dispose of waste batteries as unsorted municipal waste.
 Li-Ion	Li-Ion battery This product has been marked with a symbol relating to 'separate collection' for all battery packs and battery pack. It will then be recycled or dismantled in order to reduce the impact on the environment. Battery packs can be hazardous for the environment and for human health since they contain hazardous substances.
	Keep hands away from blade
	Remove battery from the socket before carrying out any adjustment, servicing or maintenance.
	Wear protective gloves.
	Waste electrical products must not be disposed of with household waste. Please recycle where facilities exist. Check with your local authorities or retailer for recycling advice.

## SYMBOLS

	To reduce the risk of injury, user must read instruction manual
	Warning

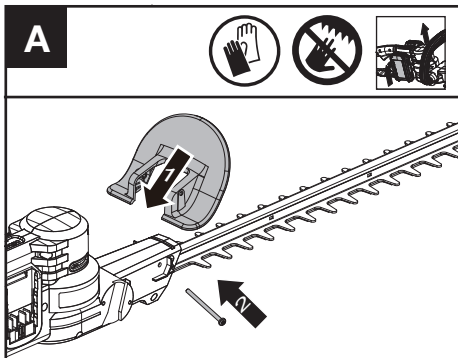
# OPERATING INSTRUCTIONS

 **NOTE:** Before using the tool, read the instruction book carefully.

 **Warning!** Do not use the product without attaching the guard and front handle.

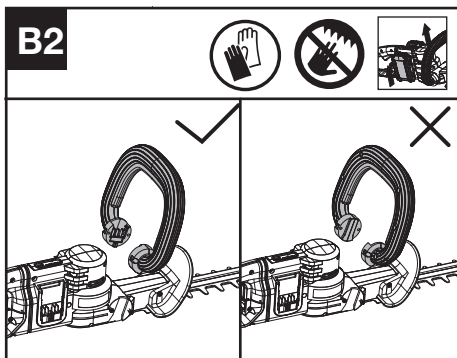
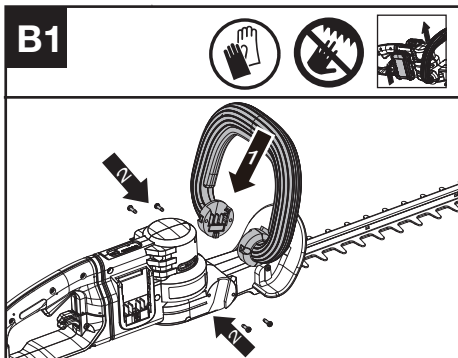
## ASSEMBLY & OPERATION BEFORE USING YOUR CORDLESS HEDGETRIMMER

Assembling the safety guard (See Fig. A)



Assembling the front handle (See Fig. B1, B2)

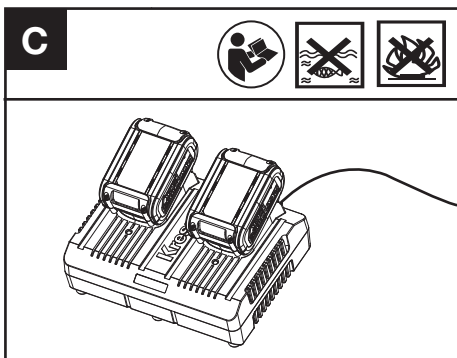
**NOTE :** The handle is designed to prevent being assembled in wrong direction. If you find it cannot be installed, please turn it around.



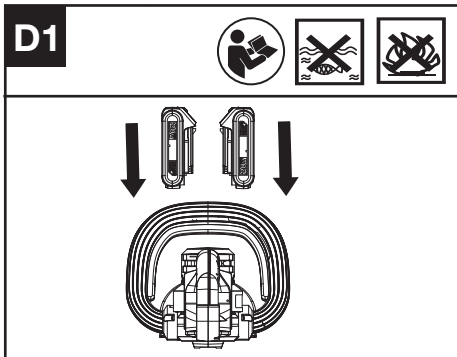
Charging the battery pack (See Fig. C)

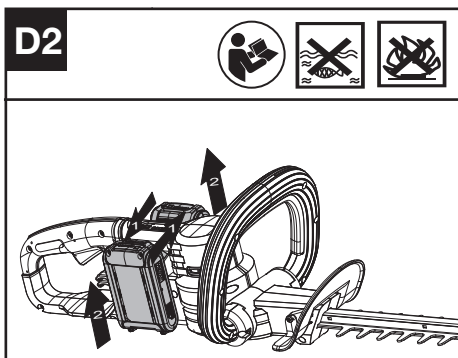
**NOTE:**

- The batteries are shipped uncharged. Each battery must be fully charged before the first use.
- Always fully charge the two batteries at same time. More details can be found in charger's manual.



Installing and Removing the battery pack (See Fig. D1, D2)





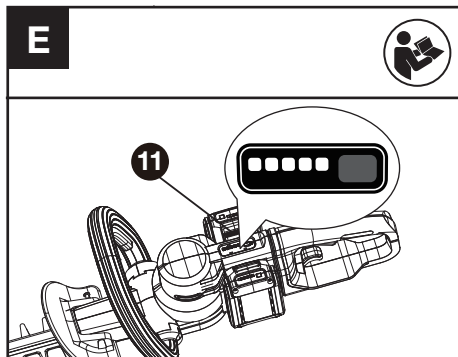
**NOTE :**

- This machine will only run when 2 batteries are installed. It is recommended to use the same two batteries and charge the two batteries at the same time.
- When you use two batteries with different power, the machine will only run to the lower common denominator.

**OPERATION**

**Power indicator light (See Fig. E)**

See details in BATTERY STATUS part



**IMPORTANT:**

When only one light is illuminated, your battery is overly discharged, even though the trimmer may still be capable of hedge trimming. Continuing to operate your trimmer with the battery in this discharged condition may reduce the life and performance of your battery.

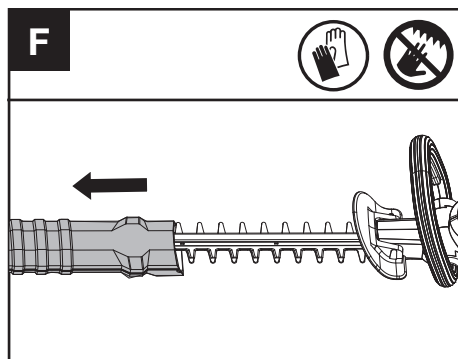
When no light is illuminated, at least one battery is not fully installed or battery may be defective, please double check the batteries are fully seated into position.

- Before starting or after use, press the button beside the power indicator light on the machine to check the battery capacity.
- During operation, the battery capacity will be indicated automatically by the battery power indicator. The indicator constantly senses and

- displays the battery condition as follows.
- For the machine with 2 battery packs with different power, the power indicator light displays the battery condition with the lower one of the two batteries.

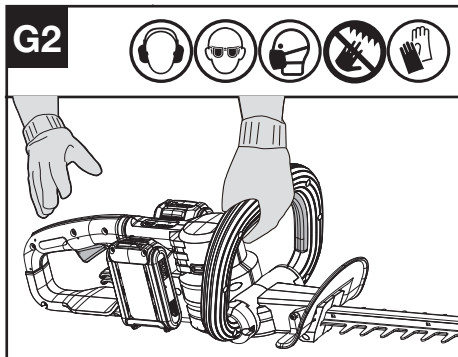
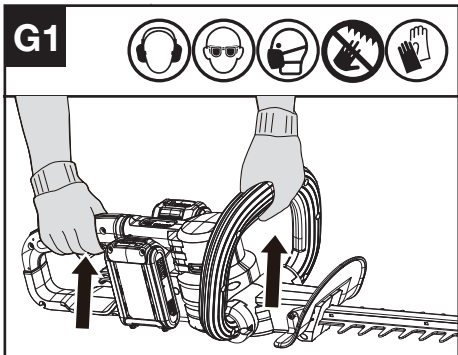
Battery indicator light status	Battery condition
Five green lights (■■■■■) are illuminated.	The two batteries are in a highly charged condition.
Two, three or four green lights are illuminated.	The two batteries have a remaining charge. The more lights are illuminated, the more battery capacity.
Only one green light (■■■■) is illuminated.	At least one battery is almost depleted and needs to be charged.
No light is illuminated.	At least one battery is not fully installed or battery may be defective.
Only one light is flashing twice per cycle.	At least one battery is over discharged (please refer to the battery charge condition), please recharge the two batteries at once before use again or storage.
Only one light is flashing three times per cycle.	At least one battery is hot, wait for them cool down before start again.
Only one light is flashing four times per cycle.	The machine is over load. Remove tool from cutting area and try again.

Remove the blade sheath (See Fig. F)

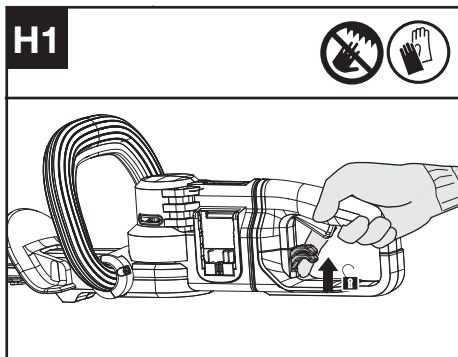




## Starting and stopping (See Fig. G1, G2)



## Rotating rear handle (See Fig. H1, H2)



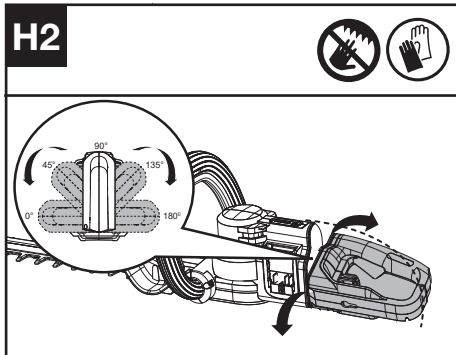
### NOTE :

- Unlock the locking switch before rotating.
- After rotating the handle to the desired position, adjust it a little until a click can be heard.

### **!** WARNING:

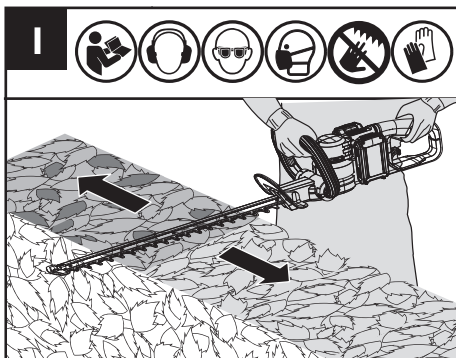
- Always make sure that the handle is locked in the desired position before operation.
- Always make sure the locking switch is locked before starting the hedge trimmer.
- Do not rotate the handle when the trimmer is

## being operated.



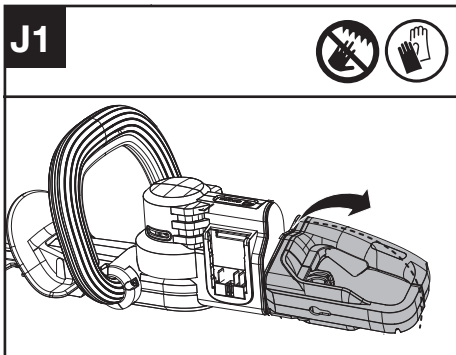
## Top cutting (See Fig. I)

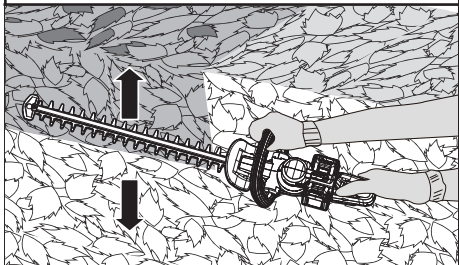
**!** **WARNING:** If any parts are missing, damaged or broken, do not operate your hedge trimmer until all damaged parts have been replaced or repaired. Failure to do so could result in serious personal injury. **DO NOT USE WITHOUT FRONT HANDLE AND SAFETY GUARD.**



## Side cutting (See Fig. J1, J2)

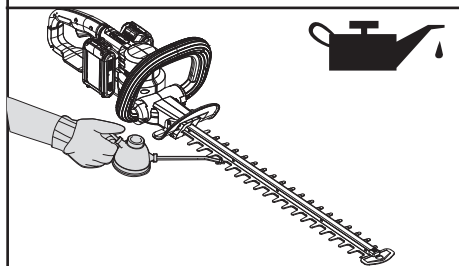
**WARNING:** Stop operating the trimmer before rotating the handle.



**J2**

Lubricating the cutting blade (See Fig. K)

**NOTE :** It is important to use only the recommended standard lubricating oil (WD-40) to avoid damage to the blade.

**K**

## HOW TO USE YOUR HEDGE TRIMMER

Before cutting an area, inspect it first and remove any foreign objects that could become thrown or entangled in the blades. Always hold the trimmer with both hands and with the blade away from you before turning it on.

When trimming new growth, use a wide sweeping action so that the stems are fed directly into the blade.

Allow the cutting blades to reach full speed before cutting. When operating, keep the cutting blades away from people and objects such as walls, large stones, trees, vehicles, etc.

If the blade stalls, immediately stop the trimmer.

Release the Operator Presence Switch and Throttle Trigger before attempting to clear jammed debris from the cutting blades.

Wear gloves when trimming thorny or prickly growth.

Do not attempt to cut stems that are too thick for the cutting blade.

### Top cutting

Use a wide sweeping motion. A slight downward tilt of the cutting blades in the direction of motion gives the best cutting results.

### Side cutting

When trimming the sides of the hedge, begin at the bottom and cut upwards, tapering the hedge inward at the top. This shape will expose more of the hedge, resulting in a more uniform growth.

## MAINTENANCE

**Remove the battery from Hedge trimmer before carrying out any adjustment, servicing or maintenance.**

There are no user serviceable parts in your power tool. Never use water or chemical cleaners to clean your power tool. Wipe clean with a dry cloth. Always store your power tool in a dry place. Keep the motor ventilation slots clean. Keep all working controls free of dust.

## FOR BATTERY TOOLS

The ambient temperature range for the use and storage of tool and battery is 0°C-45°C.

The recommended ambient temperature range for the charging system during charging is 0°C-40°C.

## TECHNICAL DATA

**Type KG285 KG285.X (250-299- designation of machinery, representative of cordless hedge trimmer)**

	KG285 KG285.X **
Voltage	40V  MAX(2x20V MAX.) ***
No-load speed	3400 /min
Blade length	61 cm
Cutting length	58 cm
Tooth spacing	33 mm
Max cutting diameter	27 mm
Machine Weight (Bare Tool)	2.7 kg

\*\* X=1-999,A-Z,M1-M9 there are only used for different customers, there are no safe relevant changes between these models.


\*\*\* Voltage measured without workload. Initial battery voltage reaches maximum of 20 volts. Nominal voltage is 18 volts.

## SUGGESTED BATTERIES AND CHARGERS

Category	Type	Capacity
20V Battery	KAB02	2.0 Ah
20V Charger	KAC04	4.0 A

We recommend that you purchase your accessories listed in the above list from the same store that sold you the tool. Refer to the accessory packaging for further details. Store personnel can assist you and offer advice.

## NOISE INFORMATION

A weighted sound pressure	$L_{pA} = 84.65 \text{ dB(A)}$ $K_{pA} = 3 \text{ dB(A)}$
A weighted sound power	$L_{WA} = 95.65 \text{ dB(A)}$ $K_{WA} = 3 \text{ dB(A)}$
<b>Wear ear protection</b>	


## VIBRATION INFORMATION

Vibration total values (triax vector sum) determined according to EN 62841:

Vibration emission value:  $a_h = 2.39 \text{ m/s}^2$

Uncertainty  $K = 1.5 \text{ m/s}^2$

The declared vibration total value and the declared noise emission value have been measured in accordance with a standard test method and may be used for comparing one tool with another. The declared vibration total value and the declared noise emission value may also be used in a preliminary assessment of exposure.

 **WARNING:** The vibration and noise emissions during actual use of the power tool can differ from the declared value depending on the ways in which the tool is used especially what kind of workpiece is processed dependant on the following examples and other variations on how the tool is used:

How the tool is used and the materials being cut or drilled.

The tool being in good condition and well maintained.


The use of the correct accessory for the tool and ensuring it is sharp and in good condition.

The tightness of the grip on the handles and if any anti vibration and noise accessories are used.

And the tool is being used as intended by its design and these instructions.

**This tool may cause hand-arm vibration**

syndrome if its use is not adequately managed.


 **WARNING:** To be accurate, an estimation of exposure level in the actual conditions of use should also take account of all parts of the operating cycle such as the times when the tool is switched off and when it is running idle but not actually doing the job. This may significantly reduce the exposure level over the total working period. Helping to minimise your vibration and noise exposure risk.

Always use sharp chisels, drills and blades. Maintain this tool in accordance with these instructions and keep well lubricated (where appropriate).

If the tool is to be used regularly then invest in anti vibration and noise accessories.

Plan your work schedule to spread any high vibration tool use across a number of days.

## ENVIRONMENTAL PROTECTION

 Waste electrical products must not be disposed of with household waste. Please recycle where facilities exist. Check with your local authorities or retailer for recycling advice.

## DECLARATION OF CONFORMITY

We,  
Positec Germany GmbH  
Postfach 32 02 16, 50796 Cologne, Germany

On behalf of Positec declare that the product Description **Kress Cordless Hedge Trimmer**  
Type **KG285 KG285.X (250-299- designation of machinery, representative of cordless hedge trimmer)**  
Function **Trimming hedges and brushes**

Complies with the following directives,  
**2006/42/EC**  
**2014/30/EU**  
**2011/65/EU&(EU)2015/863**  
**2000/14/EC amended by 2005/88/EC**

2000/14/EC amended by 2005/88/EC:  
- Conformity assessment procedure as per **Annex V**  
- Measured sound power level **95.65 dB (A)**  
- Declared guaranteed sound power level **96 dB(A)**

Standards conform to,  
**EN 62841-1**  
**EN 62841-4-2**  
**EN ISO 3744**  
**EN 55014-1**  
**EN 55014-2**

The person authorized to compile the technical file,

Name **Marcel Filz**  
Address **Positec Germany GmbH**  
Postfach 32 02 16, 50796 Cologne, Germany



2022/12/2  
Allen Ding  
Deputy Chief Engineer, Testing & Certification  
Positec Technology (China) Co., Ltd  
18, Dongwang Road, Suzhou Industrial  
Park, Jiangsu 215123, P. R. China

## DECLARATION OF CONFORMITY

We,  
Positec (UK & Ireland) Ltd  
PO BOX 6242, Newbury, RG14 9LT, UK

On behalf of Positec declare that the product  
Description **Kress Cordless Hedge Trimmer**  
Type **KG285 KG285.X (250-299- designation of machinery, representative of cordless hedge trimmer)**  
Function **Trimming hedges and brushes**

Complies with the following regulations:  
Supply of Machinery (Safety) Regulations 2008  
Electromagnetic Compatibility Regulations 2016  
The Restriction of the Use of Certain Hazardous  
Substances in Electrical and Electronic Equipment  
Regulations

### Noise Emission in the Environment by Equipment for Use Outdoors Regulations

- Conformity assessment procedure as per **SCHEDULE 8**
- Measured sound power level **95.65 dB (A )**
- Declared guaranteed sound power level **96 dB(A)**

Standards conform to,

**BS EN 62841-1, BS EN 62841-4-2, BS EN ISO 3744, BS EN 55014-1, BS EN 55014-2**

The person authorized to compile the technical file,

Name: **Jim Kirkwood**  
Address: **Positec (UK & Ireland) Ltd**  
**PO BOX 6242, Newbury, RG14 9LT, UK**



2022/12/02  
Allen Ding  
Deputy Chief Engineer, Testing & Certification  
Positec Technology (China) Co., Ltd  
18, Dongwang Road, Suzhou Industrial  
Park, Jiangsu 215123, P. R. China

# INHALTSVERZEICHNIS

INTRODUCTION.....	13
KOMPONENTEN .....	14
ORIGINALBETRIEBSANLEITUNG .....	15
HINWEISE ZUM BETRIEB.....	18
WARTUNG.....	22
TECHNISCHE DATEN.....	23
UMWELTSCHUTZ.....	24
KONFORMITÄTSERKLÄRUNG.....	24

## INTRODUCTION

Sehr geehrter Kunde,

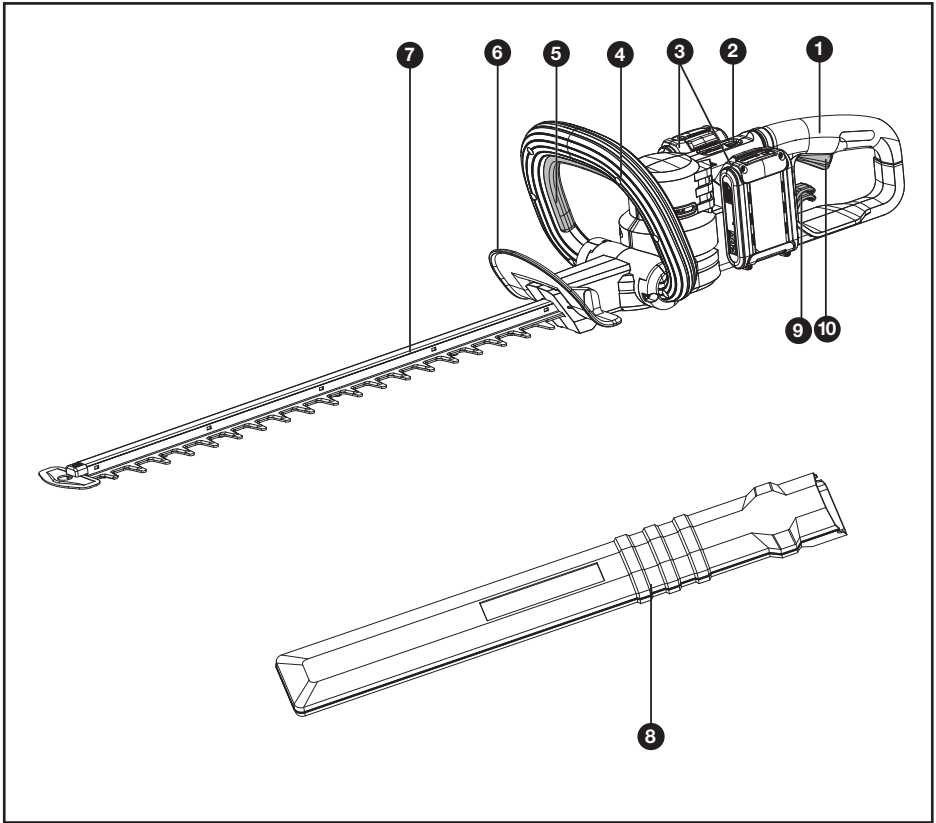
Vielen Dank, dass Sie dieses Kress Commercial-Produkt gekauft haben. Wir sind bestrebt, qualitativ hochwertige Produkte zu entwickeln, die Ihren Anforderungen im gewerblichen Landschaftsbau gerecht werden.

Die Marke Kress steht für erstklassigen Service. Wenn Sie im Laufe der Jahre Fragen oder Bedenken zu Ihrem Produkt haben, wenden Sie sich bitte an Ihren Händler oder an unser Kundendienstteam, um Hilfe zu erhalten.

Wir sind zuversichtlich, dass Sie in den kommenden Jahren die Arbeit mit Ihrem Kress-Produkt genießen werden.

## BESTIMMUNGSGEMÄSSER GEBRAUCH

Das Gerät ist bestimmt für das Schneiden und Stutzen von Hecken und Büschen in Haus- und Hobbygärten.



D

## KOMPONENTEN

1.	DREHBARER HINTERER GRIFF
2.	BETRIEBSANZEIGE-LED
3.	AKKU*
4.	HANDGRIFF VORNE
5.	BEDIENER-ANWESENHEITSSCHALTER (allseitig)
6.	HANDSCHUTZ
7.	MESSER
8.	MESSERSCHUTZHÜLLE
9.	ARRETIERUNGSSCHALTER ZUM DREHEN
10.	ABZUG
11.	AKKUVERRIEGELUNG* (SIEHE ABB. G1)

\*Abgebildetes oder beschriebenes Zubehör gehört teilweise nicht zum Lieferumfang.

# ORIGINALBETRIEBSANLEITUNG PRODUKTSICHERHEIT ALLGEMEINE SICHERHEITSHINWEISE FÜR ELEKTROWERKZEUGE

**⚠️ WARNUNG!** Machen Sie sich mit allen Sicherheitswarnungen, Anweisungen, Abbildungen und Spezifikationen vertraut, die mit diesem Elektrowerkzeug geliefert werden. Die Nichtbeachtung der unten aufgeführten

Anweisungen kann in elektrischen Schlägen, Feuer und/oder schweren Verletzungen resultieren.

**Bewahren Sie alle Sicherheitshinweise und Anweisungen für die Zukunft auf.**

Der in den Sicherheitshinweisen verwendete Begriff „Elektrowerkzeug“ bezieht sich auf akkubetriebene Elektrowerkzeuge (ohne Netzkabel).

## 1) Arbeitsplatzsicherheit

**a) Halten Sie Ihren Arbeitsbereich sauber und gut beleuchtet.** Unordnung oder unbeleuchtete Arbeitsbereiche können zu Unfällen führen.

**b) Arbeiten Sie mit dem Elektrowerkzeug nicht in explosionsgefährdeter Umgebung, in der sich brennbare Flüssigkeiten, Gase oder Stäube befinden.** Elektrowerkzeuge erzeugen Funken, die den Staub oder die Dämpfe entzünden können.

**c) Halten Sie Kinder und andere Personen während der Benutzung des Elektrowerkzeugs fern.** Bei Ablenkung können Sie die Kontrolle über das Gerät verlieren.

## 2) Elektrische Sicherheit

**a) Der Anschlussstecker des Elektrowerkzeuges muss in die Steckdose passen. Der Stecker darf in keiner Weise verändert werden. Verwenden Sie keine Adapterstecker gemeinsam mit geschützten Elektrowerkzeugen.** Unveränderte Stecker und passende Steckdosen verringern das Risiko eines elektrischen Schlages.

**b) Vermeiden Sie Körperkontakt mit geerdeten Oberflächen wie von Rohren, Heizungen, Herden und Kühlschränken.** Es besteht ein erhöhtes Risiko durch elektrischen Schlag, wenn Ihr Körper geerdet ist.

**c) Halten Sie Elektrowerkzeuge von Regen oder Nässe fern.** Das Eindringen von Wasser in ein Elektrowerkzeug erhöht das Risiko eines elektrischen Schlages.

**d) Zweckentfremden Sie das Kabel nicht, um das Elektrowerkzeug zu tragen, aufzuhängen oder um den Stecker aus der Steckdose zu ziehen. Halten Sie das Kabel fern von Hitze, Öl, scharfen Kanten oder sich bewegenden Geräteteilen.** Beschädigte oder verwickelte Kabel erhöhen das Risiko eines elektrischen Schlages.

**e) Wenn Sie mit einem Elektrowerkzeug im Freien arbeiten, verwenden Sie nur Verlängerungskabel, die auch für den Außenbereich geeignet sind.** Die Anwendung eines für den Außenbereich geeigneten Verlängerungskabels verringert das Risiko eines elektrischen Schlages.

**f) Wenn der Betrieb des Elektrowerkzeuges in feuchter Umgebung nicht vermeidbar ist, verwenden Sie einen Fehlerstromschutzschalter.** Der Einsatz eines Fehlerstromschutzschalters vermindert das Risiko eines elektrischen Schlages.

## 3) Sicherheit von Personen

**a) Seien Sie aufmerksam, achten Sie darauf, was Sie tun, und gehen Sie mit Vernunft an die Arbeit mit einem Elektrowerkzeug. Benutzen Sie kein Elektrowerkzeug, wenn Sie müde sind oder unter dem Einfluss von Drogen, Alkohol oder Medikamenten stehen.** Ein Moment der Unachtsamkeit beim Gebrauch des Elektrowerkzeuges kann zu ernsthaften Verletzungen führen.

**b) Tragen Sie persönliche Schutzausrüstung und immer eine Schutzbrille.** Das Tragen persönlicher Schutzausrüstung, wie Staubmaske, rutschfeste Sicherheitsschuhe, Schutzhelm oder Gehörschutz, je nach Art und Einsatz des Elektrowerkzeuges, verringert das Risiko von Verletzungen.

**c) Vermeiden Sie eine unbeabsichtigte Inbetriebnahme. Vergewissern Sie sich, dass das Elektrowerkzeug ausgeschaltet ist, bevor Sie es an den Akku anschließen, es aufnehmen oder tragen.** Wenn Sie beim Tragen des Elektrowerkzeuges den Finger am Schalter haben oder das Gerät eingeschaltet an die Stromversorgung anschließen, kann dies zu Unfällen führen.

**d) Entfernen Sie Einstellwerkzeuge oder Schraubenschlüssel, bevor Sie das Elektrowerkzeug einschalten.** Ein Werkzeug oder Schlüssel, der sich in einem drehenden Geräteteil befindet, kann zu Verletzungen führen.

**e) Vermeiden Sie eine abnormale Körperhaltung. Sorgen Sie für einen sicheren Stand und halten Sie jederzeit das Gleichgewicht.** Dadurch können Sie das Elektrowerkzeug in unerwarteten

*Situationen besser kontrollieren.*

- f) Tragen Sie geeignete Kleidung. Tragen Sie keine weite Kleidung oder Schmuck. Halten Sie Haare und Kleidung fern von sich bewegenden Teilen.** *Lockere Kleidung, Schmuck oder lange Haare können von sich bewegenden Teilen erfasst werden.*
- g) Wenn Staubabsaug- und -auffangeinrichtungen montiert werden können, vergewissern Sie sich, dass diese angeschlossen sind und richtig verwendet werden.** *Verwendung einer Staubabsaugung kann Gefährdungen durch Staub verringern.*
- h) Vermeiden Sie, durch die häufige Nutzung des Werkzeugs in einen Trott zu verfallen und Prinzipien für die Werkzeugsicherheit zu ignorieren.** *Eine unachtsame Aktion kann im Bruchteil einer Sekunde zu schweren Verletzungen führen.*
- 4) Verwendung und Behandlung des Elektrowerkzeuges**
- a) Überlasten Sie das Gerät nicht. Verwenden Sie für Ihre Arbeit das dafür bestimmte Elektrowerkzeug.** *Mit dem passenden Elektrowerkzeug arbeiten Sie besser und sicherer im angegebenen Leistungsbereich.*
- b) Benutzen Sie kein Elektrowerkzeug, dessen Schalter defekt ist.** *Ein Elektrowerkzeug, das sich nicht mehr ein- oder ausschalten lässt, ist gefährlich und muss repariert werden.*
- c) Entfernen Sie den Akku, bevor Sie Geräteeinstellungen vornehmen, Zubehörteile wechseln oder das Gerät weglegen.** *Diese Vorsichtsmaßnahme verhindert den unbeabsichtigten Start des Elektrowerkzeuges.*
- d) Bewahren Sie unbenutzte Elektrowerkzeuge außerhalb der Reichweite von Kindern auf. Lassen Sie Personen das Gerät nicht benutzen, die mit diesem nicht vertraut sind oder diese Anweisungen nicht gelesen haben.** *Elektrowerkzeuge sind gefährlich, wenn Sie von unerfahrenen Personen benutzt werden.*
- e) Pflegen Sie Elektrowerkzeuge mit Sorgfalt. Kontrollieren Sie, ob bewegliche Teile einwandfrei funktionieren und nicht klemmen, ob Teile gebrochen oder so beschädigt sind, dass die Funktion des Elektrowerkzeuges beeinträchtigt ist. Lassen Sie beschädigte Teile vor dem Einsatz des Gerätes reparieren.** *Viele Unfälle haben ihre Ursache in schlecht gewarteten Elektrowerkzeugen.*
- f) Halten Sie Schneidwerkzeuge scharf und sauber.** *Sorgfältig gepflegte Schneidwerkzeuge mit scharfen Schneidkanten verkleben sich weniger und sind leichter zu führen.*
- g) Verwenden Sie Elektrowerkzeug, Zubehör, Einsatzwerkzeuge usw. entsprechend diesen Anweisungen. Berücksichtigen Sie dabei die Arbeitsbedingungen und die auszuführende Tätigkeit.** *Der Gebrauch von Elektrowerkzeugen für andere als die vorgesehenen Anwendungen kann zu gefährlichen Situationen führen.*
- h) Halten Sie die Griffe trocken, sauber und frei von Öl und Fett.** *Rutschige Griffe und Oberflächen unterbinden die sichere Bedienbarkeit und Kontrolle über das Werkzeug in unerwarteten Situationen.*
- 5) Verwendung und Behandlung des Akkuperkzeuges**
- a) Laden Sie die Akkus nur in Ladegeräten auf, die vom Hersteller empfohlen werden.** *Für ein Ladegerät, das für eine bestimmte Art von Akku geeignet ist, besteht Brandgefahr, wenn es mit anderen Akkus verwendet wird.*
- b) Verwenden Sie nur die dafür vorgesehenen Akkus in den Elektrowerkzeugen.** *Der Gebrauch von anderen Akkus kann zu Verletzungen und Brandgefahr führen.*
- c) Halten Sie den nicht benutzten Akku fern von Büroklammern, Münzen, Schlüsseln, Nägeln, Schrauben oder anderen kleinen Metallgegenständen, die eine Überbrückung der Kontakte verursachen könnten.** *Ein Kurzschluss zwischen den Akkukontakten kann Verbrennungen oder Feuer zur Folge haben.*
- d) Bei falscher Anwendung kann Flüssigkeit aus dem Akku austreten. Vermeiden Sie den Kontakt damit. Bei zufälligem Kontakt mit Wasser abspülen. Wenn die Flüssigkeit in die Augen kommt, nehmen Sie zusätzlich ärztliche Hilfe in Anspruch.** *Austretende Akkuflüssigkeit kann zu Hautreizungen oder Verbrennungen führen.*
- e) Verwenden Sie kein Akkupack oder Werkzeug, das beschädigt ist.** *Beschädigte oder modifizierte Akkus können unvorhersehbare Reaktionen auslösen und zu Bränden, Explosionen oder Verletzungen führen.*
- f) Setzen Sie das Akkupack oder Werkzeug keinem Feuer oder übermäßig hohen Temperaturen aus.** *Die Belastung durch Feuer oder Temperaturen über 130 °C kann zur Explosion führen.*
- g) Befolgen Sie alle Ladeanweisungen, und laden Sie das Akkupack oder Werkzeug nicht außerhalb des in den Anweisungen festgelegten Temperaturbereichs auf.** *Ein unsachgemäßer Ladevorgang oder Temperaturen außerhalb des festgelegten Bereichs können den Akku schädigen und die Brandgefahr erhöhen.*



## 6) Service

- a) **Lassen Sie Ihr Elektrowerkzeug nur von qualifiziertem Fachpersonal und nur mit Original-Ersatzteilen reparieren.** *Damit wird sichergestellt, dass die Sicherheit des Gerätes erhalten bleibt.*
- b) **Führen Sie niemals Wartungsarbeiten an beschädigten Akkus durch.** *Die Wartung von Akkupacks darf nur vom Hersteller selbst oder autorisierten Dienstleistern durchgeführt werden.*

# ZUSÄTZLICHE WICHTIGE SICHERHEITSHINWEISE FÜR IHRE KABELLOSE HECKENSCHERE

- a) **Halten Sie alle Körperteile fern von der Schneide des Sägeblatts. Wenn sich das Sägeblatt bewegt, dürfen Sie bereits geschnittene Gegenstände nicht entfernen oder zu schneidende Gegenstände festhalten.** *Die Klängen bewegen sich weiter, nachdem der Schalter ausgeschaltet wurde. Ist der Heckenschneider in Betrieb, braucht man nur einen Augenblick unaufmerksam zu sein, um schwere Körperverletzungen zu verursachen.*
- b) **Tragen Sie den Heckenschneider am Griff bei angehaltenem Sägeblatt und achten Sie darauf, dass Sie keinen Geräteschalter betätigen.** *Sachgemäßer Umgang mit dem Heckenschneider verringert die Wahrscheinlichkeit von Körperverletzungen durch das Sägeblatt.*
- c) **Bringen Sie bei Transport oder Lagerung der Heckenschere immer die Messerabdeckung an.** *Die richtige Handhabung der Heckenschere verringert die Gefahr von Verletzungen durch die Messer.*
- d) **Wenn Sie eingeklemmtes Material beseitigen oder das Gerät warten, stellen Sie sicher, dass alle Geräteschalter ausgeschaltet sind und der Akku-Pack entfernt oder abgeklemmt wurde.** *Unerwartetes Betätigen der Heckenschere beim Beseitigen von eingeklemmtem Material oder bei Wartungsarbeiten kann zu schweren Verletzungen führen.*
- e) **Halten Sie das Werkzeug nur an den isolierten griffigen Oberflächen, wenn Sie einen Einsatz durchführen, bei dem Schneidwerkzeuge eventuell versteckte Kabel berühren könnten.** *Berührung mit einem unter Strom stehenden Kabel kann auch die Metallteile des Gerätes unter Strom setzen und dem Bedienenden einen Stromschlag versetzen.*
- f) **Halten Sie alle Netzkabel und**

## Leitungen vom Schneidbereich fern.

*Stromkabel oder Leitungen können in Hecken oder Büschen versteckt sein und versehentlich vom Messer geschnitten werden.*

- g) **Verwenden Sie die Heckenschere nicht bei schlechten Witterungsbedingungen, insbesondere bei Blitzschlaggefahr.** *Dadurch verringert sich das Risiko, vom Blitz getroffen zu werden.*
- h) **Überprüfen Sie die Hecken und Büsche auf Fremdkörper, z. B. Drahtzäune und versteckte Leitungen.**
- i) **Halten Sie die Heckenschere richtig, z. B. mit beiden Händen, wenn zwei Griffe vorhanden sind.**
- j) **Die Heckenschere ist für die Verwendung durch den Bediener am Boden und nicht auf Leitern oder anderen instabilen Stützen vorgesehen.**
- k) **Vor dem Betrieb der Heckenschere sollte sich der Benutzer vergewissern, dass die Verriegelungsvorrichtung(en) aller beweglichen Elemente (z. B. der verlängerte Schaft und das Schwenkelement), falls vorhanden, in der verriegelten Position sind.**
- l) **Lassen Sie einstellbare Stoppvorrichtungen in regelmäßigen Abständen warten.**

D





# SICHERHEIT HINWEISE FÜR AKKUPACK

- a) **Zellen bzw. Akkupack nicht zerlegen, öffnen oder zerdrücken.**
- b) **Akkupack nicht kurzschließen. Akkupacks nicht wahllos in einer Schachtel oder Schublade aufbewahren, wo sie einander kurzschließen oder durch andere leitfähige Materialien kurzgeschlossen werden könnten.** *Bei Nichtverwendung des Akkupacks ist dieses von Metallgegenständen fernzuhalten, wie etwa Büroklammern, Münzen, Nägeln, Schrauben oder anderen kleinen Metallgegenständen, wo sich die Batterieklappen berühren könnten. Das Kurzschließen der Batterieklappen kann Verbrennungen bzw. einen Brand verursachen.*
- c) **Zellen bzw. Akkupacks nicht Hitze oder Feuer aussetzen. Lagerung in direktem Sonnenlicht vermeiden.**
- d) **Akkupack nicht mechanischen Stößen aussetzen.**
- e) **Im Fall, dass Flüssigkeit aus dem Akku austritt, darf diese nicht in Kontakt mit der Haut oder den Augen kommen. Sollte dies dennoch geschehen, den betroffenen Bereich sofort mit viel Wasser spülen und einen Arzt aufsuchen.**


- f) **Akkupack sauber und trocken halten.**  
 g) **Sollten die Klemmen des Akkupacks schmutzig werden, diese mit einem sauberen, trockenen Tuch abwischen.**  
 h) **Akkupack muss vor Gebrauch aufgeladen werden. Immer diese Anweisungen beachten und den korrekten Ladevorgang ausführen.**  
 i) **Akkupack bei Nichtverwendung nicht längere Zeit aufladen lassen.**  
 j) **Nach längerer Lagerung des Gerätes ist es eventuell notwendig, die Zellen oder das Akkupack mehrere Male aufzuladen und zu entladen, um eine optimale Leistung zu erhalten.**  
 k) **Nur mit dem von Kress bezeichneten Ladegerät aufladen. Kein Ladegerät verwenden, das nicht ausdrücklich für den Gebrauch mit dem Gerät vorgesehen ist.**  
 l) **Kein Akkupack verwenden, das nicht für den Gebrauch mit dem Gerät vorgesehen ist.**  
 m) **Akkupacks von Kindern fernhalten.**  
 n) **Die originalen Produktunterlagen zum späteren Nachschlagen aufbewahren.**  
 o) **Den Akku bei Nichtverwendung aus dem Gerät nehmen.**  
 p) **Ordnungsgemäß entsorgen.**  
 q) **Vermischen Sie keine Zellen verschiedener Hersteller, Kapazitäten, Größen oder Typen innerhalb eines Geräts.**  
 r) **Halten Sie den Akku von Mikrowellen und hohem Druck fern.**


	Setzen Sie es keinem Regen aus
	Nicht verbrennen
	Batterien können bei falscher Entsorgung in der Wasserkreislauf gelangen und das Ökosystem bedrohen. Entsorgen Sie alte Batterien nicht im unsortierten Haushaltsabfall.
 Li-Ion 	Lithium-Ionen-Akku: Dieses Produkt wurde mit einem Symbol markiert, das sich auf die 'gesonderte Sammlung' aller Akkupacks und Akkus bezieht. Es wird anschließend recycelt oder demontiert, um die Beeinträchtigung der Umwelt zu verringern. Akkupacks können die Umwelt und menschliche Gesundheit beeinträchtigen, da diese schädliche Substanzen enthalten.
	Hände vom Sägeblatt fernhalten
	Nehmen sie den Akku heraus, bevor Sie Einstellungen, Instandsetzungs- oder Wartungsarbeiten vornehmen.
	Schutzhandschuhe tragen
	Elektroprodukte dürfen nicht mit dem normalen Haushaltsmüll entsorgt werden, sondern sollten nach Möglichkeit zu einer Recyclingstelle gebracht werden. Ihre zuständigen Behörden oder Ihr Fachhändler geben Ihnen hierzu gerne Auskunft.

## SYMBOLE

	Lesen Sie unbedingt die Anleitung, damit es nicht zu Verletzungen kommt.
	Warnung
	Gehörschutz tragen
	Augenschutz tragen
	Staubschutzmaske tragen

## HINWEISE ZUM BETRIEB

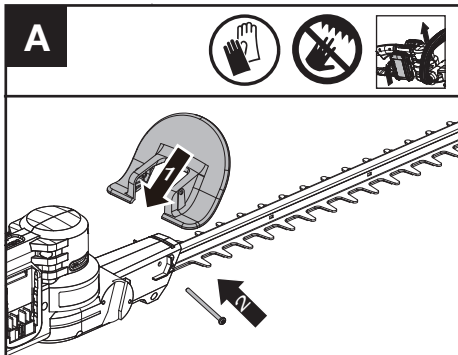
 **HINWEIS** : Lesen Sie das Handbuch vor Inbetriebnahme des Werkzeuges sorgfältig durch.

 **WARNUNG** : Verwenden sie das gerät niemals ohne handschutz und vorderen handgriff.

## MONTAGE UND BEDIENUNG

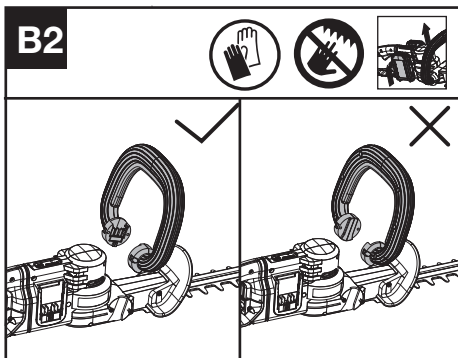
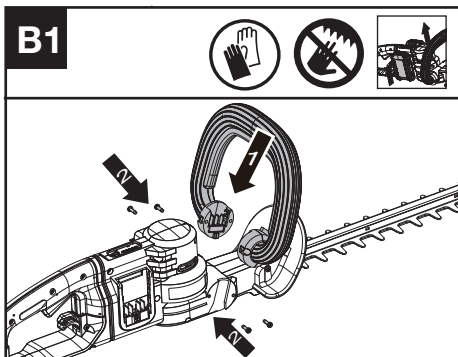
## VOR GEBRAUCH IHRER DER HECKENSCHERE MUSS

Montage des Handschutzes (Siehe Abb. A)



Vordergriff montieren (Siehe Abb. B1, B2)

**HINWEIS:** Der Griff ist so konstruiert, dass er nicht in der falschen Richtung montiert werden kann. Wenn Sie feststellen, dass er sich nicht montieren lässt, drehen Sie ihn um.



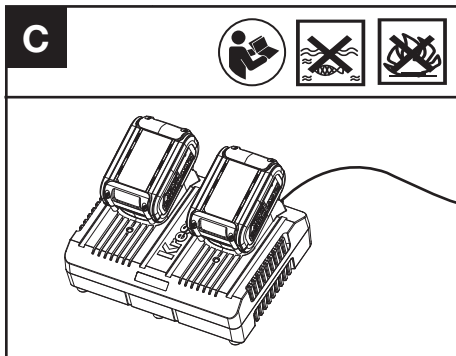
Aufladen des Akkupacks (Siehe Abb. C)

### HINWEIS:

- Der Akku ist NICHT GELADEN und muss vor

dem ersten Gebrauch aufgeladen werden.

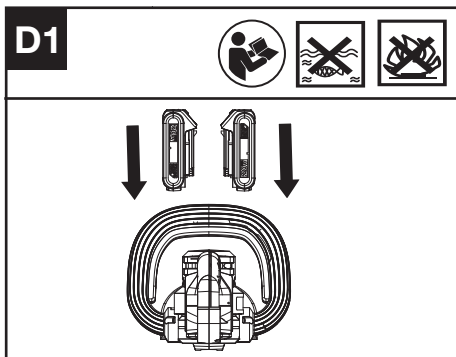
- Laden Sie die beiden Akkus stets gleichzeitig auf. Weitere Details finden Sie im Handbuch des Ladegeräts.

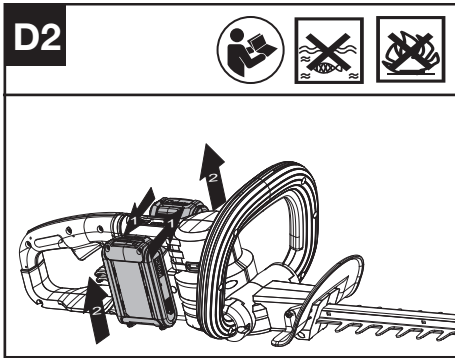


Anbringen Und Entfernen Des Akkus (Siehe Abb. D1, D2)

### HINWEIS:

- Diese Maschine kann nur mit 2 eingelegten Batterien betrieben werden. Bitte verwenden Sie immer zwei gleiche Akkus und laden Sie diese gleichzeitig auf.
- Wenn Sie zwei Batterien mit unterschiedlichem Ladezustand benutzen, wird das Gerät nur bis zur Entladung der Batterie mit dem niedrigeren Ladezustand laufen.





Betätigen Sie vor Beginn oder nach Beendigung der Nutzung die Taste auf dem Gerät neben der Strom-Signalleuchte, um die Batteriekapazität zu überprüfen.

- Während des Betriebs wird die Batteriekapazität automatisch auf der Ladezustandsanzeige der Batterie angezeigt. Die Anzeige überprüft die Batterie durchgehend und zeigt den Batteriezustand wie folgt an.
- Bei einem Gerät mit 2 Batteriepacks mit unterschiedlichem Ladezustand zeigt die Ladezustandsanzeige der Batterie den Zustand der Batterie mit dem jeweils niedrigeren Ladezustand an.

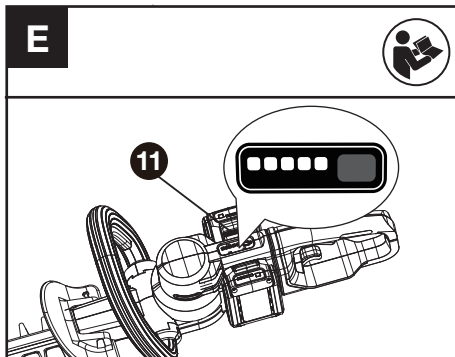
Status der Akku-Ladestandsanzeige	Batterieladezustand
Fünf grüne LEDs (  ) leuchten.	Beide Akkus sind vollständig aufgeladen.
Zwei, drei oder vier grüne LEDs leuchten.	Die beiden Akkus haben eine Restladung. Je mehr LEDs leuchten, desto höher ist die Akkukapazität.
Es leuchtet nur eine grüne LED (  ).	Mindestens ein Akku ist leer und muss aufgeladen werden.
Es leuchtet keine LED.	Mindestens ein Akku ist nicht vollständig installiert oder defekt.
Pro Zyklus blinkt nur eine LED zweimal.	Mindestens ein Akku ist tiefentladen (siehe Ladestatus der Batterie); bitte laden Sie die beiden Akkus auf, bevor Sie diese erneut nutzen oder lagern.
Pro Zyklus blinkt nur eine LED dreimal.	Mindestens ein Akku ist heiß gelaufen; warten Sie vor der Nutzung, bis dieser abgekühlt ist.
Pro Zyklus blinkt nur eine LED dreimal.	Die Maschine ist überlastet. Entfernen Sie das Werkzeug aus dem Schnittbereich und versuchen Sie es erneut.

Entfernen Sie die Messer-Schutzhülle (Siehe Abb. F)

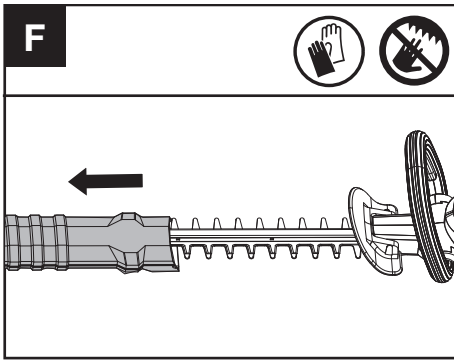
## BETRIEB

Betriebsanzeige-LED (Siehe Abb. E)  
Details siehe Abschnitt BATTERIELADEZUSTAND

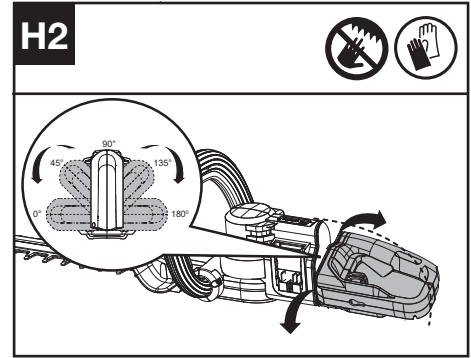
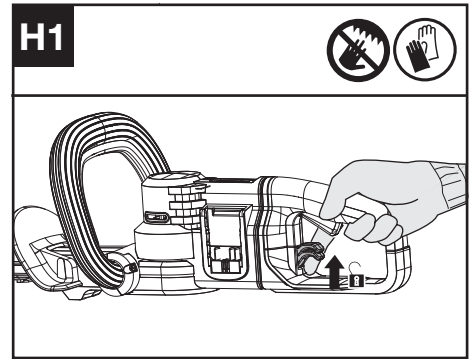
**WICHTIG: Wenn nur eine LED leuchtet, ist der Akku übermäßig entladen, auch wenn die Maschine weiterhin funktionieren kann. Der fortwährende Betrieb Ihrer Maschine mit entladenem Akku kann die Lebensdauer und Leistung des Akkus beeinträchtigen. Wenn keine LED leuchtet, ist mindestens ein Akku nicht vollständig installiert oder der Akku ist defekt, bitte überprüfen Sie noch einmal, dass die Akkus vollständig in Position eingesetzt sind.**



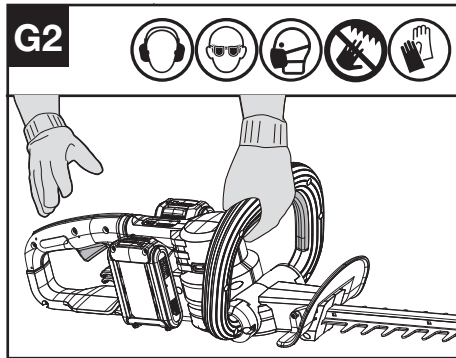
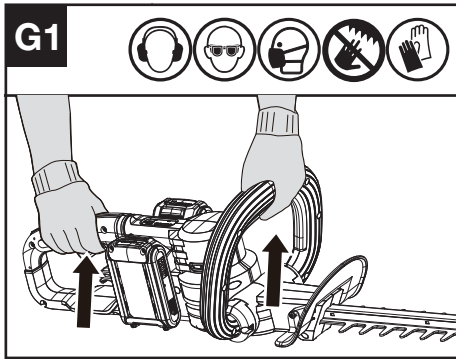
**WICHTIG: Wenn nur eine LED leuchtet, ist der Akku übermäßig entladen, auch wenn die Maschine weiterhin funktionieren kann. Der fortwährende Betrieb Ihrer Maschine mit entladenem Akku kann die Lebensdauer und Leistung des Akkus beeinträchtigen. Wenn keine LED leuchtet, ist mindestens ein Akku nicht vollständig installiert oder der Akku ist defekt, bitte überprüfen Sie noch einmal, dass die Akkus vollständig in Position eingesetzt sind.**



- **Vergewissern Sie sich vor dem Starten des Heckentrimmers stets, dass der Arretierungsschalter verriegelt ist.**
- **Drehen Sie den Griff nicht, während der Trimmer eingesetzt wird.**



Ein-Und Ausschalten (Siehe Abb. G1, G2)



Drehbarer hinterer Griff (Siehe Abb. H1, H2)

**HINWEIS:**

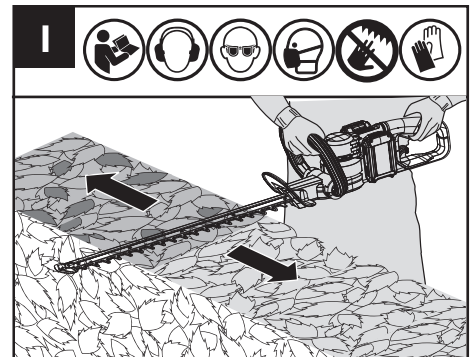
- Entriegeln Sie vor dem Drehen den Arretierungsschalter.
- Wenn Sie den Griff in die gewünschte Position gedreht haben, justieren Sie ihn, bis ein Klickton zu hören ist.

**! WARNUNG:**

- **Vergewissern Sie sich vor dem Betrieb stets, dass der Griff in der gewünschten Position arretiert ist.**

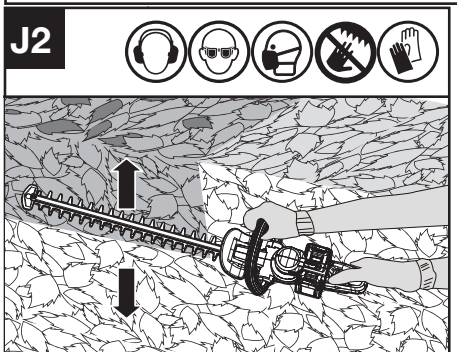
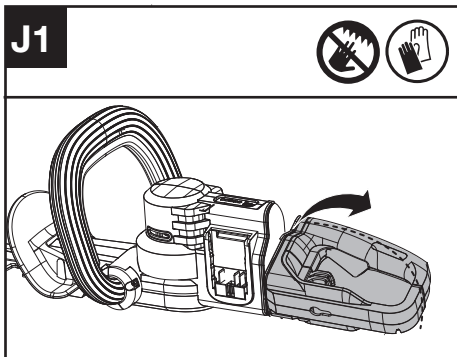
Schneiden der Oberseite (Siehe Abb. I)

**! WARNUNG :** Falls irgendwelche Teile fehlen, beschädigt oder defekt sind, betreiben Sie die Heckenschere nicht, bis alle Teile ersetzt oder repariert wurden. Die Nichteinhaltung kann zu schweren Verletzungen führen. Verwenden Sie das Gerät niemals ohne Handschutz und VORDEREN Handgriff.



Schneiden der Seitenflächen (Siehe Abb. J1, J2)

**WARNUNG** : Stellen Sie den Betrieb des Trimmers ein, bevor Sie den Griff drehen.



komfortable Griffhaltung zu erhalten. Inspizieren Sie vor Gebrauch die zu schneidende Fläche und entfernen Sie alle Fremdobjekte, die sich im Messer verfangen könnten. Halten Sie die Heckenschere immer mit zwei Händen, mit dem Messer von Ihnen abgewendet, bevor Sie das Gerät einschalten. Führen Sie die Messer bei jungen Zweigen gleichmäßig hin und her, so dass die Zweige direkt in die Messer gezogen werden.

Lassen Sie die Messer auf volle Geschwindigkeit kommen, bevor Sie mit dem Schneiden beginnen. Halten Sie beim Betrieb die Messer von Personen und Objekten wie Wänden, großen Steinen, Bäumen, Fahrzeugen, usw. fern.

Sofort ausschalten, falls die Messer blockieren. Anwesenheitsschalter los, bevor Sie versuchen, eingeklemmte Abfälle von den Klingen zu entfernen. Tragen Sie beim Arbeiten an stacheligen oder dornigen Hecken Handschuhe.

Versuchen Sie nicht, zu starke Zweige zu schneiden.

### Schneiden der Oberseite

Bewegen Sie die Messer gleichmäßig hin und her. Optimale Ergebnisse erzielen Sie, wenn Sie die Messer ein wenig in Schnittrichtung neigen.

### Schneiden der Seitenflächen

Beginnen Sie beim Schneiden der Seitenflächen unten und schneiden Sie aufwärts, wobei Sie die Hecke nach oben etwas verjüngen. Diese Form bringt die Hecke besser zur Geltung und lässt sie gleichmäßiger wachsen.

## WARTUNG

### Nehmen sie den Akku heraus, bevor Sie Einstellungen, Instandsetzungs- oder Wartungsarbeiten vornehmen.

Es enthält keine Teile, die Sie warten müssen. Reinigen Sie Ihr Werkzeug niemals mit Wasser oder chemischen Lösungsmitteln. Wischen Sie es mit einem trockenen Tuch sauber. Lagern Sie Ihr Werkzeug immer an einem trockenen Platz. Sorgen Sie dafür, dass bei staubigen Arbeiten die Lüftungsöffnungen frei sind. Falls es erforderlich sein sollte, den Staub zu entfernen, trennen Sie zuerst das Elektrowerkzeug vom Stromversorgungsnetz. Verwenden Sie nichtmetallische Objekte zum Entfernen von Staub und vermeiden Sie das Beschädigen innerer Teile.

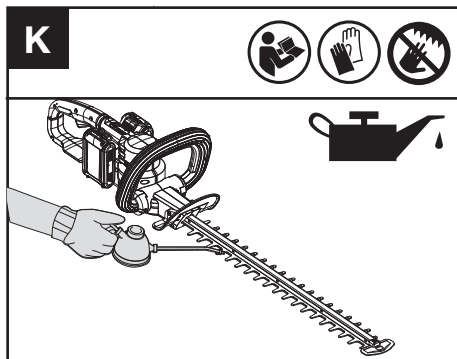
## BEI AKKUWERKZEUGEN

Der Umgebungstemperaturbereich für die Nutzung und Lagerung von Werkzeug und Akku liegt zwischen 0 °C und 45 °C.

Der empfohlene Umgebungstemperaturbereich für die Ladestation liegt zwischen 0 °C und 40 °C.

Pflege der Messer (Siehe Abb. K)

**HINWEIS**: Es ist wichtig, dass nur das empfohlene Standardschmieröl verwendet wird (WD-40), um Schäden an der Klinge zu vermeiden.



## DAS ARBEITEN MIT DER HECKENSCHERE

Sie haben damit viele Möglichkeiten, um eine

# TECHNISCHE DATEN

**Typ KG285 KG285.X (250-299-  
Bezeichnung der Maschine, Repräsentant  
der Akku-Heckenschere)**

	<b>KG285 KG285.X **</b>
Nennspannung	40V  MAX(2x20V MAX.) ***
Leerlaufdrehzahl	3400 /min
Klingenlänge	61 cm
Schnittlänge	58 cm
Zahnabstand	33 mm
Max. Schnitt- durchmesser	27 mm
Gewicht (Bare- Tool)	2.7 kg

\*\* X=1-999, A-Z, M1-M9 werden nur für verschiedene Kunden verwendet, es gibt keine sicherheitsrelevanten Veränderungen zwischen diesen Modellen.


\*\*\* Spannung ohne Arbeitslast gemessen. Anfangsakkuspannung erreicht maximal 20 Volt. Nennspannung ist 18 Volt.

## EMPFOHLENE AKKUS UND LADEGERÄTE

<b>Kategorie</b>	<b>Typ</b>	<b>Kapazität</b>
20V Akkupack	KAB02	2.0 Ah
20V Lader	KAC04	4.0 A

Wir empfehlen Ihnen, sämtliche Zubehörteile beim selben Fachhändler zu beziehen, bei dem Sie auch Ihr Elektrowerkzeug gekauft haben. Weitere Informationen finden Sie auf der Verpackung der Zubehörteile. Auch Ihr Fachhändler berät Sie gerne

## INFORMATIONEN ÜBER LÄRM

Gewichteter Schalldruck	$L_{pA} = 84.65 \text{ dB(A)}$ $K_{pA} = 3 \text{ dB(A)}$
Gewichtete Schallleistung	$L_{wA} = 95.65 \text{ dB(A)}$ $K_{wA} = 3 \text{ dB(A)}$
<b>Tragen Sie Ge- hörschutz.</b>	

## INFORMATIONEN ÜBER VIBRATIONEN

Vibrationsgesamtmeswermittlung gemäß EN 62841:

Vibrationsemissionswert:  $a_n = 2.39 \text{ m/s}^2$

Unsicherheit  $K = 1.5 \text{ m/s}^2$

Der angegebene Vibrationsgesamtwert kann und der angegebene Vibrationsemissionswert wurden gemäß Standardprüfverfahren gemessen und können zum Vergleichen eines Werkzeug mit einem anderen verwendet werden.

Der angegebene Vibrationsgesamtwert und der angegebene Vibrationsemissionswert können auch für eine anfängliche Beurteilung der Beeinträchtigung verwendet werden.

**! WARNUNG:** Die Vibrations- und Lärmemissionen bei der eigentlichen Nutzung des Elektrowerkzeugs können vom angegebenen Wert abweichen, je nachdem, wie das Werkzeug verwendet wird und insbesondere abhängig davon, welcher Werkstücktyp verarbeitet wird, und abhängig von folgenden Beispielen und verschiedenen Einsatzmöglichkeiten des Werkzeugs:

Wie das Werkzeug verwendet wird und Materialien geschnitten oder angebohrt werden.

Das Werkzeug ist in gutem Zustand und gut gepflegt.

Verwendung des richtigen Zubehörs für das Werkzeug und Gewährleistung seiner Schärfe und seines guten Zustands.

Die Festigkeit des Griffs auf den Handgriffen und, falls Antivibrations- und Lärmschutzzubehör verwendet wird.

Und ob das verwendete Werkzeug dem Design und diesen Anweisungen entsprechend verwendet wird.

**Wird dieses Werkzeug nicht anemessen gehandhabt, kann es ein Hand-Arm-Vibrationssyndrom erzeugen.**

**! WARNUNG:** Um genau zu sein, sollte ein Abschätzung des Belastungsgrades aller Arbeitsabschnitte während tatsächlicher Verwendung berücksichtigt werden, z.B. die Zeiten, wenn das Werkzeug ausgeschaltet ist, und wenn es sich im Leerlauf befindet und eigentlich nicht eingesetzt wird. Auf diese Weise kann der Belastungsgrad während der gesamten Arbeitszeit wesentlich gemindert werden.

Hilft dabei, das Risiko der Vibrations- und Lärmbelastung zu minimieren.

Verwenden Sie IMMER scharfe Meissel, Bohrer und Sägeblätter.

Pflegen Sie dieses Werkzeug diesen Anweisungen entsprechend und achten Sie auf eine gute Einfettung (wo erforderlich).

Falls das Werkzeug regelmäßig verwendet werden soll, investieren Sie in Antivibrations- und Lärmschutzzubehör.

Machen Sie einen Arbeitsplan, um die Verwendung von hochvibrierenden Werkzeugen auf mehrere

D

Tage zu verteilen.

Positec Technology (China) Co., Ltd  
18, Dongwang Road, Suzhou Industrial  
Park, Jiangsu 215123, P. R. China

## UMWELTSCHUTZ



Elektroprodukte dürfen nicht mit dem normalen Haushaltsmüll entsorgt werden, sondern sollten nach Möglichkeit zu einer Recyclingstelle gebracht werden. Ihre zuständigen Behörden oder Ihr Fachhändler geben Ihnen hierzu gerne Auskunft.

## KONFORMITÄTSERKLÄRUNG

Wir,  
Positec Germany GmbH  
Postfach 32 02 16, 50796 Cologne, Germany

Erklären im Namen von Positec, dass das Produkt  
Beschreibung **Kress Akku-Heckenschere**  
Typ **KG285 KG285.X**  
**(250-299- Bezeichnung der Maschine,  
Repräsentant der Akku-Heckenschere)**  
Funktion **Beschneiden von Hecken  
und Sträuchern**

den Bestimmungen der folgenden Richtlinien  
entspricht:

**2006/42/EC**

**2014/30/EU**

**2011/65/EU & (EU)2015/863**

**2000/14/EC geändert durch 2005/88/EC**

**2000/14/EC geändert durch 2005/88/EC:**

- Konformitätsbewertungsverfahren nach **Anhang**

**V**

- Gemessene Schalleistung

**95.65 dB**

- Garantierte Schalleistung

**96 dB**

Werte nach,

**EN 62841-1**

**EN 62841-4-2**

**EN ISO 3744**

**EN 55014-1**

**EN 55014-2**

Zur Kompilierung der technischen Datei ermächtigte  
Person

Name

**Marcel Filz**

Anschrift

**Positec Germany GmbH**

**Postfach 32 02 16, 50796 Cologne,**

**Germany**



2022/05/09

Allen Ding

Stellvertretender Cheffingenieur,

Prüfung und Zertifizierung



# TABLE OF CONTENTS

INTRODUCTION .....	25
LISTE DES COMPOSANTS.....	26
ORIGINAL INSTRUCTIONS .....	27
FONCTIONNEMENT .....	30
ENTRETIEN.....	34
CARACTÉRISTIQUES TECHNIQUES.....	34
PROTECTION DE L'ENVIRONNEMENT.....	35
DECLARATION DE CONFORMITE.....	36

## INTRODUCTION

Cher Client,

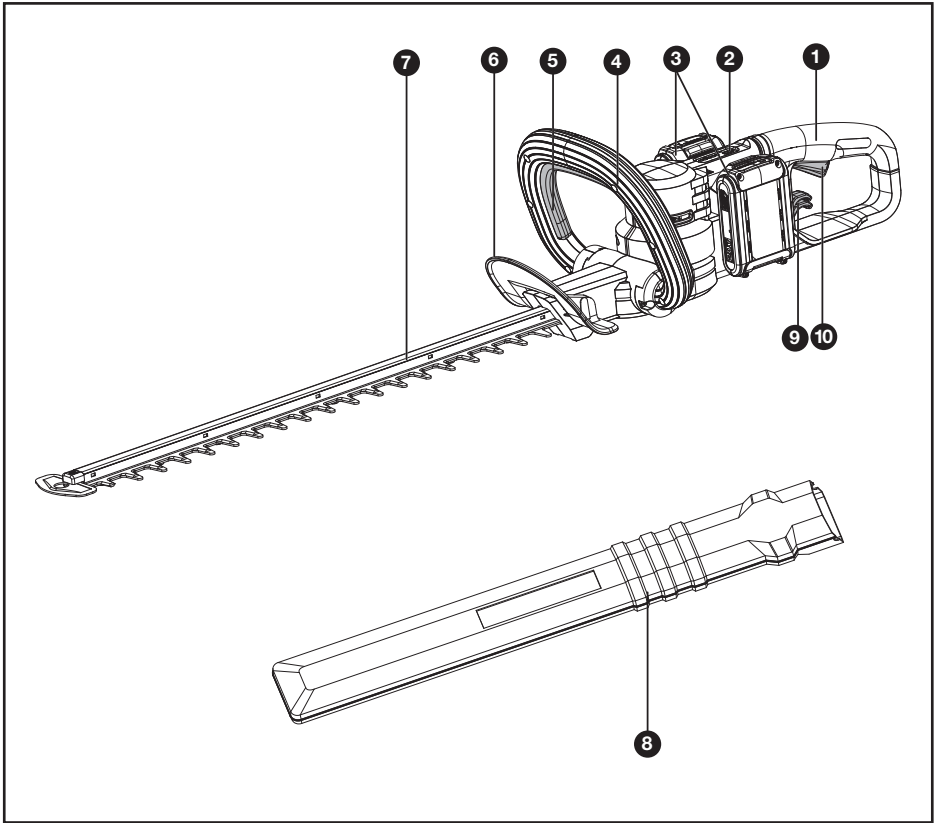
Merci d'avoir acheté ce produit de la marque Kress. Nous nous efforçons de mettre au point des produits de haute qualité, adaptés à votre jardin et à votre pelouse.

La marque Kress est synonyme de service de qualité supérieure. Tout au long du cycle de vie de votre produit, si vous avez des questions ou des inquiétudes à son sujet, veuillez contacter le lieu où vous l'avez acheté ou notre équipe de service clientèle pour vous aider.

Nous espérons que vous serez satisfait de votre produit de la marque Kress pour les années à venir.

## UTILISATION CONFORME

L'appareil est conçu pour découper et tailler des haies et des buissons dans des jardins domestiques et de plaisance.



## LISTE DES COMPOSANTS

1.	<b>POIGNÉE ARRIÈRE ROTATIVE</b>
2.	<b>VOYANT D'ALIMENTATION</b>
3.	<b>PACK BATTERIE*</b>
4.	<b>POIGNÉE AVANT</b>
5.	<b>COMMUTATEUR DE PRÉSENCE D'OPÉRATEUR (CIRCULAIRE)</b>
6.	<b>BOUCLIER DE SÉCURITÉ (PROTECTEUR)</b>
7.	<b>LAME</b>
8.	<b>ETUI PROTECTEUR DE LAME</b>
9.	<b>INTERRUPTEUR DE VERROUILLAGE DE ROTATION</b>
10.	<b>GÂCHETTE D'ACCÉLÉRATION</b>
11.	<b>VERROU DE PACK BATTERIE* (Voir Fig. E)</b>

\* Les accessoires reproduits ou décrits ne sont pas tous compris avec le modèle standard livré.

# ORIGINAL INSTRUCTIONS SÉCURITÉ DU PRODUIT

## AVERTISSEMENTS GÉNÉRAUX DE SÉCURITÉ POUR L'OUTIL



**AVERTISSEMENT!** Lire l'ensemble des mises

**en garde, instructions, illustrations et spécifications fourni avec cet outil électrique.** Ne pas suivre toutes les instructions énumérées

*ci-dessous peut conduire à une électrocution, un incendie et / ou des blessures graves.*

**Conserver tous les avertissements et toutes les instructions pour pouvoir s'y reporter ultérieurement.**

*Le terme «outil» dans les avertissements fait référence à votre outil électrique alimenté par le secteur (avec cordon d'alimentation) ou votre outil fonctionnant sur batterie (sans cordon d'alimentation).*

### 1) Sécurité de la zone de travail

- a) **Conserv**er la zone de travail propre et bien éclairée. Les zones en désordre ou sombres sont propices aux accidents.
- b) **Ne pas faire fonctionner les outils électriques en atmosphère explosive, par exemple en présence de liquides inflammables, de gaz ou de poussières.** Les outils électriques produisent des étincelles qui peuvent enflammer les poussières ou les fumées.
- c) **Maintenir les enfants et les personnes présentes à l'écart pendant l'utilisation de l'outil.** Les distractions peuvent vous faire perdre le contrôle de l'outil.

### 2) Sécurité électrique

- a) **Il faut que les fiches de l'outil électrique soient adaptées au socle. Ne jamais modifier la fiche de quel que façon que ce soit. Ne pas utiliser d'adaptateurs avec des outils à branchement de terre.** Des fiches non modifiées et des socles adaptés réduiront le risque de choc électrique.
- b) **Éviter tout contact du corps avec des surfaces reliées à la terre telles que les tuyaux, les radiateurs, les cuisinières et les réfrigérateurs.** Il existe un risque accru de choc électrique si votre corps est relié à la terre.
- c) **Ne pas exposer les outils à la pluie ou à des conditions humides.** La pénétration d'eau à l'intérieur d'un outil augmentera le risque

*de choc électrique.*

- d) **Ne pas maltraiter le cordon. Ne jamais utiliser le cordon pour porter, tirer ou débrancher l'outil. Maintenir le cordon à l'écart de la chaleur, du lubrifiant, des arêtes ou des parties en mouvement.** Des cordons endommagés ou emmêlés augmentent le risque de choc électrique.
- e) **Lorsqu'on utilise un outil à l'extérieur, utiliser un prolongateur adapté à l'utilisation extérieure.** L'utilisation d'un cordon adapté à l'utilisation extérieure réduit le risque de choc électrique.
- f) **Si l'usage d'un outil dans un emplacement humide est inévitable, utiliser une alimentation protégée par un dispositif à courant différentiel résiduel (DDR).** L'usage d'un DDR réduit le risque de choc électrique.

### 3) Sécurité des personnes

- a) **Restez vigilant, regardez ce que vous êtes en train de faire et faites preuve de bon sens dans votre utilisation de l'outil. Ne pas utiliser un outil lorsque vous êtes fatigué ou sous l'emprise de drogues, d'alcool ou de médicaments.** Un moment d'inattention au cours de l'utilisation d'un outil peut entraîner des blessures graves.
- b) **Utiliser un équipement de sécurité. Toujours porter une protection pour les yeux.** Les équipements de sécurité tels que les masques contre les poussières, les chaussures de sécurité antidérapantes, les casques ou les protections acoustiques utilisés dans les conditions appropriées réduiront le risque de blessures.
- c) **Éviter tout démarrage intempestif. S'assurer que l'interrupteur est en position arrêt avant de brancher l'outil au secteur et/ou au bloc de batteries, de le ramasser ou de le porter.** Porter les outils en ayant le doigt sur l'interrupteur ou brancher des outils dont l'interrupteur est en position marche est source d'accidents.
- d) **Retirer toute clé de réglage avant de mettre l'outil en marche.** Une clé laissée fixée sur une partie tournante de l'outil peut entraîner des blessures.
- e) **Ne pas se précipiter. Garder une position et un équilibre adaptés à tout moment.** Cela permet un meilleur contrôle de l'outil dans des situations inattendues.
- f) **S'habiller de manière adaptée. Ne pas porter de vêtements amples ou de bijoux. Garder les cheveux, les vêtements et les gants à distance des parties en mouvement.** Des vêtements amples, des bijoux ou les cheveux longs peuvent être attrapés par des parties en mouvement.
- g) **Si des dispositifs sont fournis pour le raccordement d'équipements**

**pour l'extraction et la récupération des poussières, s'assurer qu'ils sont connectés et correctement utilisés.**

*Utiliser des collecteurs de poussière peut réduire les risques dus aux poussières.*

**h) Ne pas laisser les habitudes acquises au cours d'une utilisation fréquente des outils nous rendre complaisants et ignorer les principes de sécurité de l'outil.** *Une action imprudente peut entraîner des blessures graves en une fraction de seconde.*

#### **4) Utilisation et entretien de l'outil**

**a) Ne pas forcer l'outil. Utiliser l'outil adapté à votre application.** *L'outil adapté réalisera mieux le travail et de manière plus sûre au régime pour lequel il a été construit.*

**b) Ne pas utiliser l'outil si l'interrupteur ne permet pas de passer de l'état de marche à celui d'arrêt et vice versa.** *Tout outil qui ne peut pas être commandé par l'interrupteur est dangereux et doit être réparé.*

**c) Débrancher la fiche de la source d'alimentation secteur et/ou le bloc de batteries de l'outil avant tout réglage, changement d'accessoires ou avant de ranger l'outil.** *De telles mesures de sécurité préventives réduisent le risque de démarrage accidentel de l'outil.*

**d) Conserver les outils à l'arrêt hors de la portée des enfants et ne pas permettre à des personnes ne connaissant pas l'outil ou les présentes instructions de le faire fonctionner.** *Les outils sont dangereux entre les mains d'utilisateurs novices.*

**e) Observer la maintenance de l'outil. Vérifier qu'il n'y a pas de mauvais alignement ou de blocage des parties mobiles, des pièces cassées ou toute autre condition pouvant affecter le fonctionnement de l'outil. En cas de dommages, faire réparer l'outil avant de l'utiliser.** *De nombreux accidents sont dus à des outils mal entretenus.*

**f) Garder affûtés et propres les outils permettant de couper.** *Des outils destinés à couper correctement entretenus avec des pièces coupantes tranchantes sont moins susceptibles de rester bloqués et sont plus faciles à contrôler.*

**g) Utiliser l'outil, les accessoires et les lames etc., conformément à ces instructions, en tenant compte des conditions de travail et du travail à réaliser.** *L'utilisation de l'outil pour des opérations différentes de celles prévues pourrait donner lieu à des situations dangereuses.*

**h) Maintenir les poignées et les surfaces de préhension sèches, propres et exemptes d'huile et de graisse.** *Des poignées et surfaces de préhension glissantes ne permettent pas une manipulation et un contrôle de l'outil en toute sécurité en cas*

*d'imprévis.*

#### **5) Utilisation des outils fonctionnant sur batteries et précautions d'emploi**

**a) Ne recharger qu'avec le chargeur spécifié par le fabricant.** *Un chargeur qui est adapté à un type de bloc de batteries peut entraîner un risque d'incendie lorsqu'il est utilisé avec un autre type de bloc de batteries.*

**b) N'utiliser les outils qu'avec des blocs de batteries spécifiquement désignés.** *L'utilisation de tout autre bloc de batteries peut entraîner un risque de blessure et d'incendie.*

**c) Lorsqu'un bloc de batteries n'est pas utilisé, le maintenir à l'écart de tout autre objet métallique, par exemple trombones, pièces de monnaie, clés, clous, vis ou autres objets de petite taille qui peuvent donner lieu à une connexion d'une borne à une autre.** *Le court-circuitage des bornes d'une batterie entre elles peut causer des brûlures ou un incendie.*

**d) Dans de mauvaises conditions, du liquide peut être éjecté de la batterie; éviter tout contact. En cas de contact accidentel, nettoyer à l'eau. Si le liquide entre en contact avec les yeux, rechercher en plus une aide médicale.** *Le liquide éjecté des batteries peut causer des irritations ou des brûlures.*

**e) N'utilisez pas de batterie ou d'outil endommagé ou modifié.** *Des batteries endommagées ou modifiées peuvent se comporter de façon imprévisible et causer un incendie, une explosion ou un risque de blessure.*

**f) N'exposez pas une batterie ou un outil à un incendie ou à une température excessive.** *L'exposition à un incendie ou une température supérieure à 130 °C peut causer une explosion.*

**g) Suivez toutes les instructions de charge et ne rechargez pas la batterie ou l'outil en dehors de la plage de température spécifiée dans les instructions.** *Recharger la batterie de façon inappropriée ou en dehors de la plage de température spécifiée peut l'endommager et augmente le risque d'incendie.*

#### **6) Maintenance et entretien**

**a) Faire entretenir l'outil par un réparateur qualifié utilisant uniquement des pièces de rechange identiques.** *Cela assurera le maintien de la sécurité de l'outil.*

**b) Ne révisiez jamais de batteries endommagées.** *La révision de batteries doit uniquement être effectuée par le fabricant ou les prestataires de service autorisés.*

# AUTRES REMARQUES DE SÉCURITÉ IMPORTANTES POUR VOTRE TAILLE-HAIE SANS FIL

- a) **Maintenez toutes les parties du corps éloignées de la lame de coupe. N'enlevez pas la matière coupée, et en tenez pas la matière à couper pendant que les lames sont en mouvement.**

*Les lames continuent de bouger après avoir mis l'interrupteur hors tension. Un moment d'inattention lors de l'utilisation du taille-haie peut causer de graves blessures personnelles.*

- b) **Portez le taille-haie par la poignée et avec la lame de coupe arrêtée, et veillez à n'actionner aucun interrupteur d'alimentation. Une manipulation appropriée du taille-haie réduit le risque de blessure personnelle en raison des lames de coupe.**

- c) **Lorsque vous transportez ou rangez le taille-haie, fixez toujours l'étui protecteur de lame. Une manipulation appropriée du taille-haie réduit le risque de blessure corporelle causée par les lames.**

- d) **Au moment de retirer un objet bloqué ou d'entretenir l'unité, n'oubliez pas de mettre tous les interrupteurs d'alimentation hors tension, et de retirer ou débrancher le bloc de batterie. L'actionnement inattendu du taille-haie tout en retirant un objet bloqué ou en effectuant l'entretien peut entraîner de graves blessures personnelles.**

- e) **Tenez l'outil par ses surfaces antidérapantes et isolées si l'outil de coupe risque d'entrer en contact avec des câbles cachés. L'entrée en contact avec un câble sous tension rendra les parties en métal de l'outil également sous tension et l'utilisateur pourrait recevoir une décharge électrique.**

- f) **Éloignez tous les cordons d'alimentation et les câbles électriques de la zone de coupe. Les cordons d'alimentation ou les câbles électriques sont peut-être dissimulés dans les haies ou les buissons, et peuvent être coupés par accident par la lame.**

- g) **N'utilisez pas le taille-haie en cas d'intempéries, surtout lorsqu'il y a un risque d'éclair. Cela réduit le risque d'être frappé par la foudre.**

- h) **Vérifiez la haie pour détecter la présence de corps étrangers, tels que par ex. des clôtures barbelées et des fils électriques cachés.**

- i) **Tenez correctement le taille-haie, par ex. des deux mains si l'outil est muni de deux poignées.**

- j) **Le taille-haie est conçu pour être utilisé par l'opérateur au niveau du sol, pas sur une échelle ou sur tout autre support instable.**
- k) **Avant de faire fonctionner le taille-haie, l'utilisateur doit s'assurer que le ou les dispositifs de verrouillage des éléments mobiles (par ex. l'arbre allongé et l'élément pivotant), si présents, sont en position verrouillée.**
- l) **Le mécanisme d'arrêt réglable doit être entretenu régulièrement.**

## MISES EN GARDE CONCERNANT LA BATTERIE

- a) **La batterie et les piles secondaires ne doivent pas être ouvertes, démontées ou broyées.**
- b) **La batterie ne doit pas être court-circuitée. Évitez de mettre la batterie en vrac dans une boîte ou dans un tiroir où elles risqueraient de se court-circuiter entre elles ou au contact d'autres objets métalliques. Après usage, évitez tout contact de la batterie avec d'autres objets métalliques de petite taille (trombones, pièces, clés, clous, vis etc.) susceptibles de court-circuiter les pôles. Un court-circuit entre les pôles de la batterie peut être à l'origine de brûlures ou d'un incendie.**
- c) **La batterie ne doit pas être exposée au feu et à la chaleur. Évitez de la ranger à la lumière du soleil.**
- d) **La batterie et les piles ne doivent pas être soumises à des chocs mécaniques.**
- e) **En cas de fuite des piles, évitez tout contact du liquide avec la peau et les yeux. En cas de contact, rincez abondamment la surface touchée avec de l'eau et appelez les urgences.**
- f) **La batterie et les piles doivent rester propres et sèches.**
- g) **Si la batterie ou les piles se salissent, essuyez-les avec un chiffon propre et sec.**
- h) **La batterie et les piles doivent être chargées avant usage. Utilisez toujours le chargeur adéquat, et respectez les instructions du fabricant ou le mode d'emploi de l'appareil concernant la procédure de recharge.**
- i) **Évitez de laisser une batterie se charger pendant trop longtemps lorsqu'elle n'est pas utilisée.**
- j) **Après de longues périodes d'inutilisation, il peut être nécessaire de charger et décharger la batterie et les piles à plusieurs reprises avant que celles-ci ne retrouvent leur capacité**

maximale.


- k) **N'utilisez pas d'autre chargeur que celui spécifié par Kress. N'utilisez pas d'autre chargeur que celui spécifiquement fourni avec l'appareil.**
- l) **N'utilisez en aucun cas une batterie autre que celle prévue pour cet appareil.**
- m) **La batterie doit être tenue hors de portée des enfants.**
- n) **Gardez la documentation d'origine du produit afin de pouvoir vous y référer ultérieurement.**
- o) **Enlevez la batterie de l'appareil lorsque vous ne l'utilisez pas.**
- p) **Respectez les procédures de mise au rebut.**
- q) **Ne pas mélanger des piles de fabrication, capacité, taille ou type différents dans un appareil.**
- r) **Protégez la batterie des micro-ondes et des hautes pressions.**


 Li-Ion 	<p>Batterie Li-Ion Ce produit comporte un symbole de « Collecte séparée » de toutes les batteries. Il sera ensuite recyclé ou démantelé, afin de réduire l'impact sur l'environnement. Les batteries peuvent être dangereuses pour l'environnement et la santé humaine, car elles contiennent des substances dangereuses.</p>
	<p>Tenez les mains à l'écart</p>
	<p>Retirez la batterie avant d'effectuer des réglages, une réparation ou un entretien.</p>
	<p>Portez des gants de protection</p>
	<p>Les déchets d'équipements électriques et électroniques ne doivent pas être déposés avec les ordures ménagères. Ils doivent être collectés pour être recyclés dans des centres spécialisés. Consultez les autorités locales ou votre revendeur pour obtenir des renseignements sur l'organisation de la collecte.</p>

## SYMBOLES

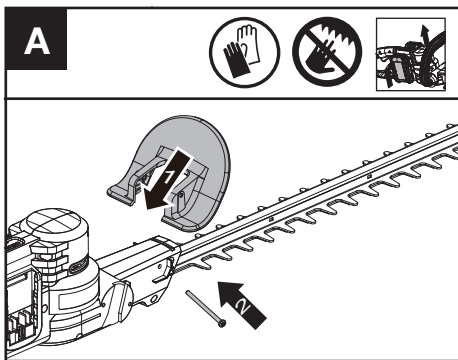
	<p>Pour réduire le risque de blessure, l'utilisateur doit lire le manuel d'instructions</p>
	<p>Avertissement</p>
	<p>Porter une protection pour les oreilles</p>
	<p>Porter des lunettes de protection</p>
	<p>Porter un masque de protection</p>
	<p>Ne pas exposer à la pluie</p>
	<p>Ne pas brûler</p>
	<p>Les batteries peuvent entrer dans le cycle de l'eau si elles sont éliminées de façon inappropriée, ce qui peut être dangereux pour l'écosystème. Ne pas éliminer les batteries usagées comme un déchet municipal non trié.</p>

## FONCTIONNEMENT

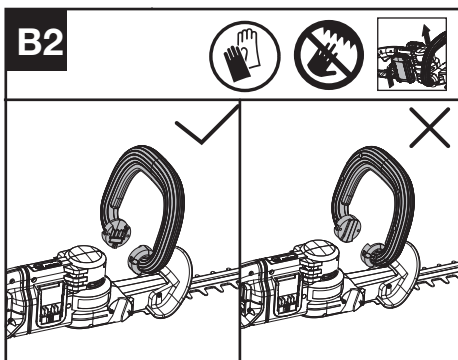
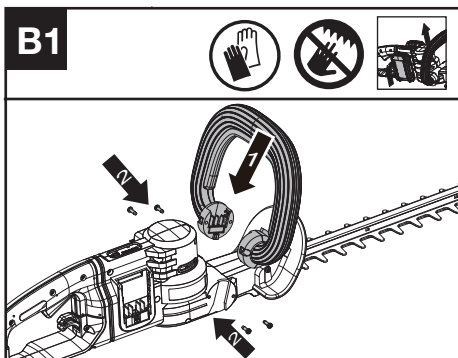
 **REMARQUE :** Avant d'utiliser cet outil, lire attentivement les instructions.

 **AVERTISSEMENT :** Ne pas mettre en marche l'appareil sans avoir auparavant monté le bouclier protecteur et la poignée avant. **ASSEMBLAGE ET FONCTIONNEMENT AVANT D'UTILISER VOTRE TAILLE-HAIE SANS FIL**

Montage du bouclier protecteur (Voir Fig .A)



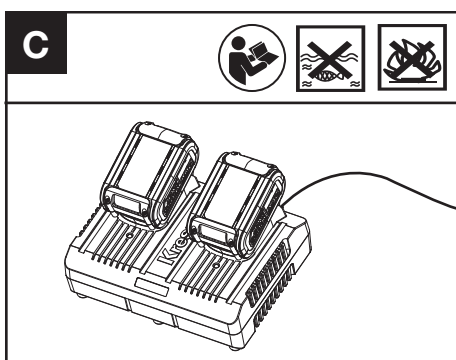
Assemblage de la poignée avant (Voir Fig. B1, B2)  
**REMARQUE:** La poignée est conçue pour éviter d'être assemblée dans la mauvaise direction. Si vous ne pouvez pas l'installer, veuillez la retourner.



Charge de votre batterie (Voir Fig. C)

**REMARQUE:**

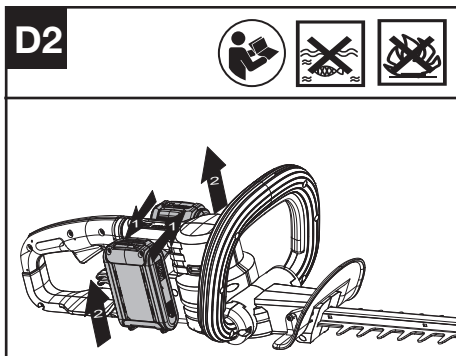
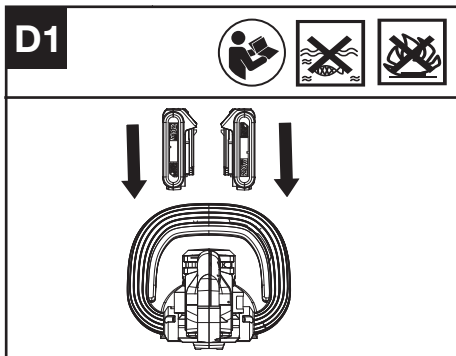
- La batterie N'EST PAS CHARGÉE et il faut la charger une fois avant de l'utiliser.
- Rechargez toujours complètement les deux batteries en même temps. Pour plus d'informations, reportez-vous au manuel du chargeur.



Enlever ou installer la batterie (Voir Fig. D1, D2)

**REMARQUE:**

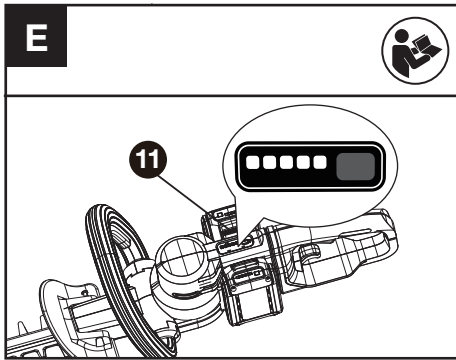
- Cette machine ne fonctionnera qu'avec 2 batteries installées. Veuillez toujours utiliser les deux mêmes batteries et rechargez-les en même temps.
- Lorsque vous utilisez deux batteries de puissance différente, la machine ne fonctionnera qu'au dénominateur commun inférieur.



**FONCTIONNEMENT**

Voyant d'alimentation (Voir Fig. E)

Voir détails dans la partie ÉTAT DE LA BATTERIE



**IMPORTANT**

**Si seul un témoin vert s'allume, votre batterie est plus que déchargée, bien que la tondeuse puisse encore être capable de couper de l'herbe. Le fait de continuer à utiliser votre tondeuse avec la batterie dans cet état déchargé peut diminuer la durée de vie et la performance de vos batteries.**

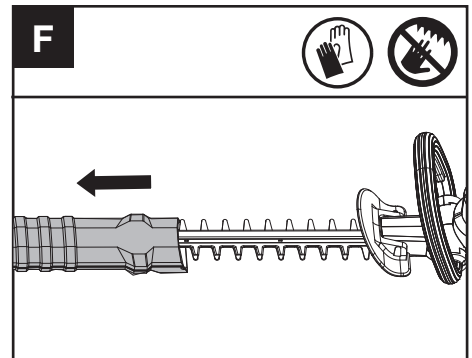
**Lorsqu'aucun témoin n'est allumé, au moins une batterie n'est pas complètement installée ou la batterie est défectueuse, veuillez vérifier de nouveau leur complète assise dans la position correcte.**

- Avant de démarrer ou après utilisation, appuyez sur le bouton à côté du voyant d'alimentation sur la machine pour vérifier la capacité de la batterie.
- Au cours du fonctionnement, la capacité de la batterie sera indiquée automatiquement par le témoin d'alimentation de la batterie. L'indicateur détecte et affiche en permanence l'état de la batterie comme suit.
- Pour la machine équipée de 2 batteries de puissance différente, le témoin d'alimentation affiche l'état de la batterie la plus basse.

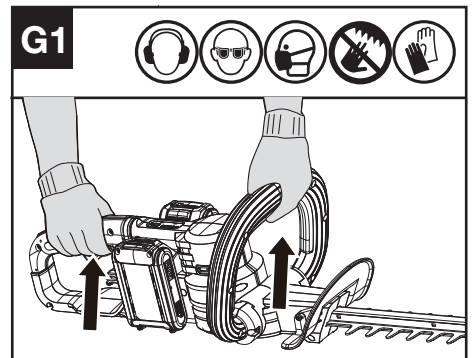
État de l'indicateur d'alimentation de la batterie	État de la batterie
Cinq voyants verts (  ) sont allumés.	Les deux batteries sont très chargées.
Deux, trois ou quatre voyants verts sont allumés.	Les deux batteries disposent d'une charge restante. Plus il y a de voyants allumés, plus la capacité de la batterie est grande.
Un seul voyant vert (  ) est allumé.	Au moins une batterie est épuisée et doit être rechargée.
Aucun voyant n'est allumé.	Au moins une batterie n'est pas complètement installée ou la batterie est défectueuse.

Un seul voyant clignote deux fois par cycle.	Au moins une batterie est déchargée excessivement (veuillez vous reporter à l'état de charge de la batterie), veuillez recharger les deux batteries à la fois avant de les réutiliser ou de les ranger.
Un seul voyant clignote trois fois par cycle.	Au moins une batterie est chaude, attendez qu'elle refroidisse avant de redémarrer.
Un seul voyant clignote quatre fois par cycle.	La machine est surchargée. Retirez l'outil de la zone de coupe et réessayez.

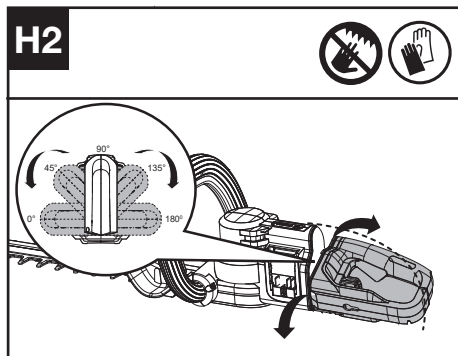
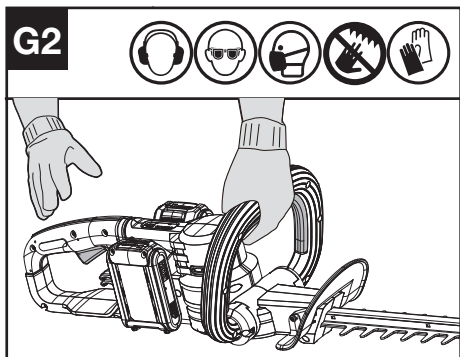
Retirez l'étui de lame (Voir Fig. F)



Démarrage et arrêt (Voir Fig. G1, G2)







Poignée arrière rotative (Voir Fig. H1, H2)

**REMARQUE:**

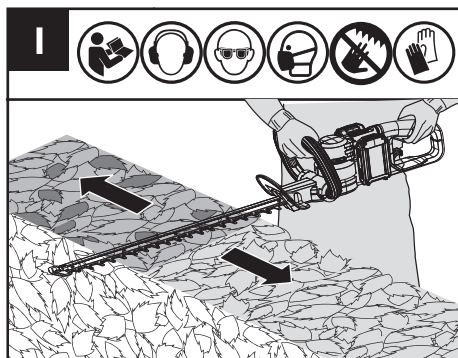
- Déverrouillez l'interrupteur de verrouillage avant de la tourner.
- Après avoir tourné la poignée dans la position désirée, ajustez-la un peu jusqu'à ce que vous entendiez un déclic.

**AVERTISSEMENT:**

- **Assurez-vous toujours que la poignée est verrouillée dans la position souhaitée avant utilisation.**
- **Assurez-vous toujours que l'interrupteur de verrouillage est bloqué avant de démarrer le taille-haie.**
- **Ne tournez pas la poignée lorsque le taille-haie est en cours d'utilisation.**

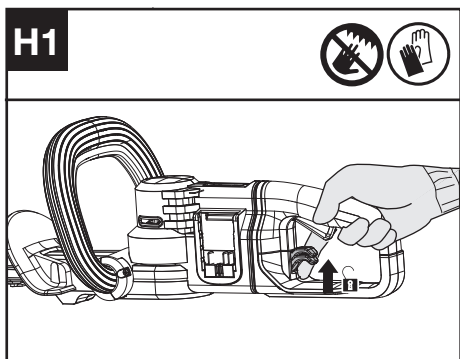
Coupes hautes (Voir Fig. I)

**AVERTISSEMENT :** Si des pièces manquent, sont endommagées ou cassées, n'utilisez pas le taille-haie sans fil tant que les pièces endommagées ne sont pas remplacées ou réparées. Le non-respect de cette consigne peut entraîner de graves blessures. **NE PAS METTRE EN MARCHÉ L'APPAREIL SANS AVOIR AUPARAVANT MONTE LE BOUCLIER PROTECTEUR ET LA POIGNEE AVANT.**

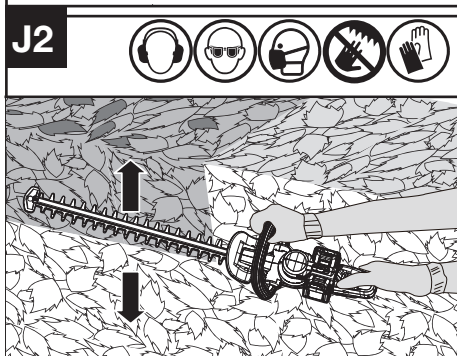
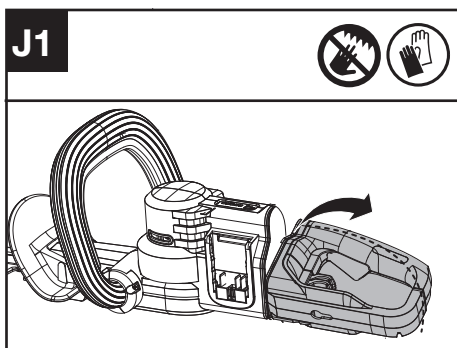


Coupes sur les côtés (Voir Fig. J1, J2)

**AVERTISSEMENT:** Arrêtez d'utiliser le taille-haie avant de tourner la poignée.



F



Lorsque vous taillez des nouvelles pousses, adoptez un grand mouvement de balayage de sorte que les tiges soient prises directement dans la lame. Laissez les lames de coupes atteindre le plein régime avant la coupe. Pendant le fonctionnement, tenez les lames de coupes à l'écart des gens et des objets tels que les murs, les grosses pierres, les arbres, les véhicules, etc.

Si la lame se décroche, arrêtez immédiatement le taille-haie.

Relâchez la gâchette d'accélération et le commutateur de présence d'opérateur avant de tenter de retirer les déchets qui bloquent éventuellement les lames.

Portez des gants lorsque vous taillez des pousses épineuses.

N'essayez pas de couper les tiges trop épaisses pour la lame coupante.

### Coupes hautes

Donnez au taille- haie un mouvement de large amplitude dans les 2 sens. Une légère inclinaison des lames de haut en bas accompagnant le mouvement donnera une excellente qualité de coupe.

### Coupes sur les côtés

Pour la taille de côté, démarrez par le bas de la haie, coupez en remontant en effectuant une taille conique du bas vers le haut. Cette forme permet une meilleure exposition de la haie et une croissance plus uniforme.

## ENTRETIEN

### Retirez la batterie avant d'effectuer des réglages, une réparation ou un entretien.

Il n'y a pas de pièces réparables par l'utilisateur dans cet outil. Ne jamais utiliser d'eau ou de nettoyeurs chimiques pour nettoyer l'outil. Nettoyer avec un chiffon sec. Toujours conserver l'outil motorisé dans un endroit sec. Maintenir les fentes de ventilation du moteur propres. Empêcher que les commandes de marche soient couvertes de sciure.

## POUR LES OUTILS À BATTERIE

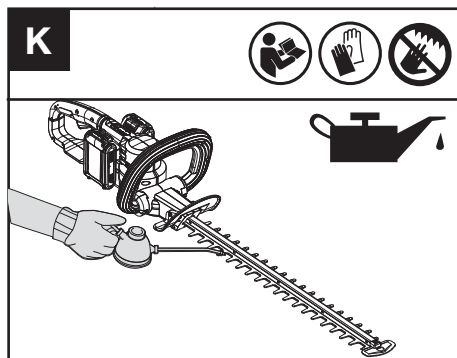
La plage de température ambiante pour l'utilisation et le stockage de l'outil et de la batterie est de 0 °C à 45 °C. La plage de température ambiante recommandée pour le système de recharge au cours de la charge est de 0 °C à 40 °C.

## CARACTÉRISTIQUES TECHNIQUES

**Modèle KG285 KG285.X (250-299-désignations des pièces, illustration de la Taille-haie sans fil)**


Graissage de la lame de coupe (Voir Fig. K)

**REMARQUE:** Seule l'huile de lubrification standard recommandée (WD-40) peut être utilisée afin d'éviter d'endommager la lame.



## TRAVAILLER AVEC LE TAILLE HAIE

Avant de couper une zone, inspectez-la d'abord et retirez tout objet étranger qui pourrait être projeté ou s'entremêler dans les lames. Tenez toujours le taille-haie des deux mains, la lame loin de vous, avant de la mettre en marche.

	<b>KG285 KG285.X **</b>
Tension	40V  MAX(2x20V MAX.) ***
Vitesse à vide	3400 /min
Longueur de la lame	61 cm
Longueur de coupe	58 cm
Espacement des dents	33 mm
Diamètre de coupe maximal	27 mm
Poids (Outil nu)	2.7 kg


\*\* X = 1-999, A-Z, M1-M9, la seule différence entre ces modèles est que les clients visés sont différents. Il n'y a pas de changement concernant la sécurité.  
 \*\*\* La tension est mesurée à vide. La tension initiale de la batterie atteint un maximum de 20 volts. La tension nominale est de 18 volts.

## BATTERIES ET CHARGEURS CONSEILLÉS

Catégorie	Type	Capacité
20V Batterie	KAB02	2.0 Ah
20V Chargeur	KAC04	4.0 A

Nous recommandons d'acheter tous les accessoires dans le magasin d'acquisition de la machine. Pour plus d'informations, se référer à l'emballage des accessoires. Le personnel du magasin est également là pour vous conseiller.

## INFORMATIONS RELATIVES AU BRUIT

Niveau de pression acoustique	$L_{pA} = 84.65 \text{ dB(A)}$ $K_{pA} = 3 \text{ dB(A)}$
Niveau de puissance acoustique	$L_{wA} = 95.65 \text{ dB(A)}$ $K_{wA} = 3 \text{ dB(A)}$
<b>Porter une protection pour les oreilles</b>	

## INFORMATIONS RELATIVES AUX VIBRATIONS

Valeurs totales de vibrations déterminées selon la norme EN 62841:

Valeur d'émission de vibrations:  $a_n = 2.39 \text{ m/s}^2$

Incertitude  $K = 1.5 \text{ m/s}^2$

La valeur totale de vibration déclarée et la valeur d'émission de bruit déclarée ont été mesurées conformément à la méthode d'essai standard et peuvent être utilisées pour comparer un outil à un autre.

La valeur totale de vibration déclarée et la valeur d'émission de bruit déclarée peuvent également être utilisées lors d'une évaluation préliminaire de l'exposition.

**AVERTISSEMENT:** Les vibrations et les émissions de bruit au cours de l'utilisation réelle de l'outil électrique peuvent varier de la valeur déclarée en fonction du mode d'utilisation de l'outil, en particulier du type de pièce traité selon les exemples suivants et d'autres variations concernant le mode d'utilisation de l'outil : Comment l'outil est utilisé et quels matériaux sont coupés ou percés.

L'outil est en bon état et bien entretenu.

L'utilisation du bon accessoire pour l'outil et l'assurance qu'il est affûté et en bon état.

La force avec laquelle vous serrez les poignées et l'utilisation éventuelle d'un quelconque accessoire anti-bruit et anti-vibration.

Et l'outil est utilisé comme prévu dans sa conception et dans les présentes instructions.

**Cet outil peut causer un syndrome de vibration du bras et de la main s'il n'est pas correctement géré.**

**AVERTISSEMENT:** Pour être précise, une évaluation du niveau d'exposition en conditions réelles d'utilisation doit également tenir compte de toutes les parties du cycle d'utilisation telles que les moments où l'outil est éteint, et ceux où il fonctionne au ralenti mais ne réalise pas réellement de tâche. Ceci peut réduire de façon significative le niveau d'exposition et la période de fonctionnement totale.


Facteurs contribuant à minimiser votre risque d'exposition aux vibrations et au bruit.

Utilisez TOUJOURS des ciseaux, des forets et des lames affûtés.

Entretenez cet outil en accord avec les présentes instructions et maintenez-le lubrifié (si approprié).

Si l'outil doit être fréquemment utilisé, investissez dans des accessoires anti-bruit et anti-vibration. Planifiez votre travail pour étaler toute utilisation d'outil à fortes vibrations sur plusieurs jours.

## PROTECTION DE L'ENVIRONNEMENT

 Les déchets d'équipements électriques et électroniques ne doivent pas être déposés avec les ordures ménagères. Ils sont

collectés pour être recyclés dans des centres spécialisés. Consultez les autorités locales ou votre revendeur pour obtenir des renseignements sur l'organisation de la collecte.

## DECLARATION DE CONFORMITE

Nous,  
Positec Germany GmbH  
Postfach 32 02 16, 50796 Cologne, Germany

Positec déclare que le produit  
Description **Taille-haie sans cordon Kress**  
Modèle **KG285 KG285.X (250-299-**  
**désignations des pièces, illustration de la**  
**Taille-haie sans cordon)**  
Fonction **Émondage des haies et des**  
**buissons**

Est conforme aux directives suivantes  
**2006/42/EC**  
**2014/30/EU**  
**2011/65/EU&(EU)2015/863**  
**2000/14/EC amendée par 2005/88/EC**

**2000/14/EC amendée par 2005/88/EC :**

- Procédure d'évaluation de la conformité  
conformément à **Annex V**  
- Niveau de pression acoustique **95.65 dB(A)**  
- Niveau d'intensité acoustique **96 dB(A)**

Et conforme aux normes,

**EN 62841-1**  
**EN 62841-4-2**  
**EN ISO 3744**  
**EN 55014-1**  
**EN 55014-2**

La personne autorisée à compiler le dossier technique,

Nom **Marcel Filz**  
Adresse **Positec Germany GmbH**  
**Postfach 32 02 16, 50796 Cologne,**  
**Germany**



2022/05/09  
Allen Ding  
Ingénieur en chef adjoint, Essais & Certification  
Positec Technology (China) Co., Ltd  
18, Dongwang Road, Suzhou Industrial  
Park, Jiangsu 215123, P. R. China

# INDICE

INTRODUZIONE.....	37
ELEMENTI DELL'APPARECCHIO .....	38
SICUREZZA DEL PRODOTTO.....	39
ISTRUZIONI OPERATIVE.....	42
MANUTENZIONE .....	46
SPECIFICHE TECNICHE.....	46
TUTELA AMBIENTALE.....	47
DICHIARAZIONE DI CONFORMITÀ.....	47

## INTRODUZIONE

Gentile Cliente,

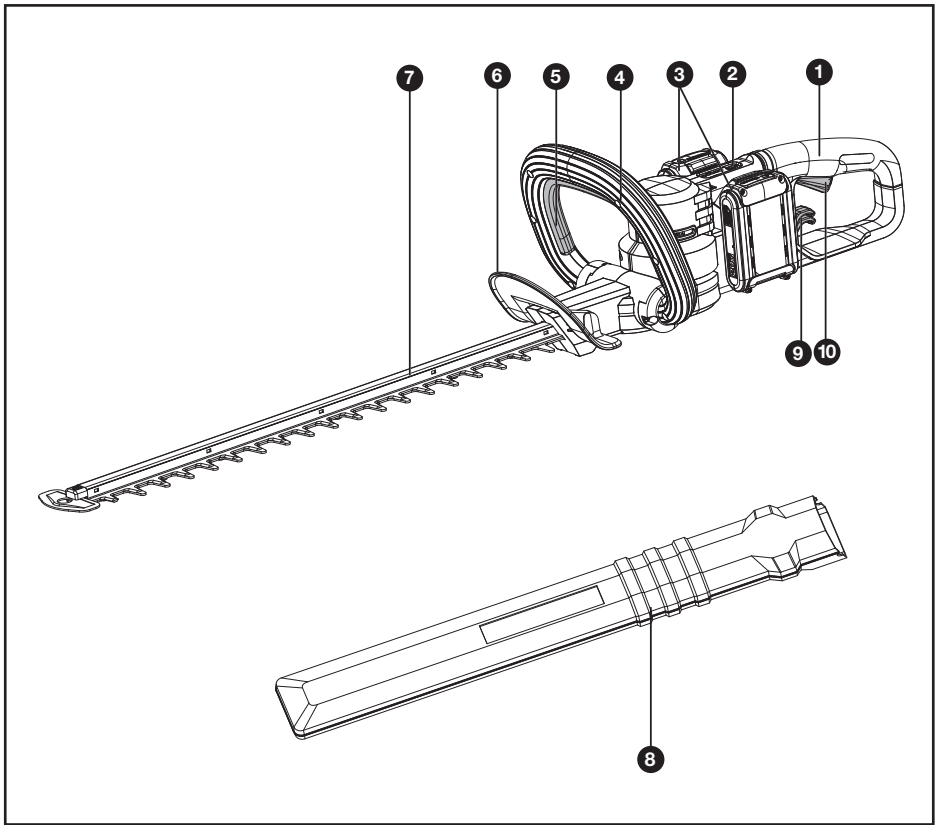
Grazie per aver acquistato questo prodotto Kress. Ci dedichiamo allo sviluppo di prodotti di alta qualità per soddisfare le sue esigenze relative a prato e giardino.

Il marchio Kress è sinonimo di un servizio di prima qualità. Nel corso degli anni di utilizzo dei prodotti, se ha domande o dubbi, la preghiamo di contattare il rivenditore presso il quale ha acquistato il prodotto o il nostro Servizio clienti per ricevere assistenza.

Siamo sicuri che le piacerà lavorare con il suo prodotto Kress per gli anni a venire.

## USO CONFORME ALLE NORME

L'utensile è previsto per tagliare e tosare siepi e cespugli del Vostro giardino.



## ELEMENTI DELL'APPARECCHIO

1.	IMPUGNATURA POSTERIORE ROTANTE
2.	INDICATORE DI CARICA
3.	UNITÀ BATTERIA*
4.	IMPUGNATURA ANTERIORE
5.	INTERRUTTORE DI PRESENZA DELL'OPERATORE (Azionabile da ogni posizione)
6.	PROTEZIONE
7.	LAMA
8.	COPERTURA LAMA
9.	INTERRUTTORE DI BLOCCAGGIO ROTAZIONE
10.	GRILLETTO DELL'ACCELERATORE
11.	SERRATURA A SCATTO UNITÀ BATTERIA* (VEDI FIG. E)

\* Accessori illustrati o descritti non fanno necessariamente parte del volume di consegna.

# SICUREZZA DEL PRODOTTO AVVISI GENERALI PER LA SICUREZZA DEGLI UTENSILI A MOTORE

 **AVVERTENZA:** Leggere tutte le avvertenze

di sicurezza, le istruzioni, le illustrazioni e le specifiche fornite con questo elettrodomestico. La mancata osservanza delle istruzioni elencate di seguito potrebbe provocare una scossa elettrica, un incendio e/o lesioni gravi.

**Conservare tutti gli avvisi e le istruzioni per poterle consultare quando necessario.**

Il termine qui di seguito utilizzato «utensile elettrico» si riferisce ad utensili elettrici alimentati dalla rete (con linea di allacciamento), nonché ad utensili elettrici alimentati a pile (senza linea di allacciamento).

## 1) Posto di lavoro

- a) **Mantenere pulito ed ordinato il posto di lavoro.** Il disordine e le zone di lavoro non illuminate possono essere fonte di incidenti.
- b) **Evitare d'impiegare l'utensile in ambienti soggetti al rischio di esplosioni nei quali si trovino liquidi, gas o polveri infiammabili.** Gli utensili elettrici producono scintille che possono far infiammare la polvere o i gas.
- c) **Mantenere lontani i bambini ed altre persone durante l'impiego dell'utensile elettrico.** Eventuali distrazioni potranno comportare la perdita del controllo sull'utensile.

## 2) Sicurezza elettrica

- a) **La spina per la presa di corrente dovrà essere adatta alla presa. Evitare assolutamente di apportare modifiche alla spina. Non impiegare spine adattatrici assieme ad utensili con collegamento a terra.** Le spine non modificate e le prese adatte allo scopo riducono il rischio di scosse elettriche.
  - b) **Evitare il contatto fisico con superfici collegate a terra, come tubi, riscaldamenti, cucine elettriche e frigoriferi.** Sussiste un maggior rischio di scosse elettriche nel momento in cui il corpo è messo a massa.
  - c) **Custodire l'utensile al riparo dalla pioggia o dall'umidità.** L'eventuale infiltrazione di acqua in un utensile elettrico va ad aumentare il rischio d'insorgenza di scosse elettriche.
  - d) **Non usare il cavo per scopi diversi da quelli previsti al fine di trasportare o appendere l'apparecchio, oppure**
- e) **di togliere la spina dalla presa di corrente. Mantenere l'utensile al riparo da fonti di calore, dall'olio, dagli spigoli da parti di strumenti in movimento.** I cavi danneggiati o aggrovigliati aumentano il rischio d'insorgenza di scosse elettriche.
  - e) **Qualora si voglia usare l'utensile all'aperto, impiegare solo ed esclusivamente cavi di prolunga omologati per l'impiego all'esterno.** L'uso di un cavo di prolunga omologato per l'impiego all'esterno riduce il rischio d'insorgenza di scosse elettriche.
  - f) **Se si deve utilizzare l'utensile a motore in un luogo umido, utilizzare una fonte di alimentazione con protezione a corrente residua.** L'uso di un dispositivo a corrente residua riduce il rischio di folgorazioni elettriche.
- 3) **Sicurezza delle persone**
  - a) **È importante concentrarsi su ciò che si sta facendo e a maneggiare con giudizio l'utensile elettrico durante le operazioni di lavoro.** Non utilizzare l'utensile in caso di stanchezza o sotto l'effetto di droghe, bevande alcoliche e medicinali. Un attimo di distrazione durante l'uso dell'utensile potrà causare lesioni gravi.
  - b) **Indossare sempre equipaggiamento protettivo individuale, nonché guanti protettivi.** Se si avrà cura d'indossare equipaggiamento protettivo individuale come la maschera antipolvere, la calzatura antidrucciolevole di sicurezza, il casco protettivo o la protezione dell'udito, a seconda dell'impiego previsto per l'utensile elettrico, si potrà ridurre il rischio di ferite.
  - c) **Evitare avviamenti involontari. Controllare che l'interruttore sia nella posizione off prima di effettuare il collegamento a una sorgente di alimentazione/batteria, e prima di sollevare o trasportare l'utensile.** Il fatto di tenere il dito sopra all'interruttore o di collegare l'utensile acceso all'alimentazione di corrente potrà essere causa di incidenti.
  - d) **Togliere gli attrezzi di regolazione o la chiave inglese prima di accendere l'utensile.** Un utensile o una chiave inglese che si trovino in una parte di strumento in rotazione potranno causare lesioni.
  - e) **È importante non sopravvalutarsi. Avere curadi mettersi in posizione sicura e di mantenere l'equilibrio.** In tale maniera sarà possibile controllare meglio l'apparecchio in situazioni inaspettate.
  - f) **Indossare indumenti adeguati. Evitare di indossare vestiti lenti o gioielli. Tenere i capelli e gli indumenti lontani dalle parti mobili.** Vestiti lenti, gioielli o capelli lunghi potranno impigliarsi in pezzi in movimento.

- g) Se sussiste la possibilità di montare dispositivi di aspirazione o di captazione della polvere, assicurarsi che gli stessi siano stati installati correttamente e vengano utilizzati senza errori.** *L'impiego dei suddetti dispositivi diminuisce il pericolo rappresentato dalla polvere.*
- h) Non lasciare che la familiarità acquisita con l'utilizzo frequente dell'elettrotensile si trasformi in autocompiacimento e trascuratezza dei principi di sicurezza.** *Un'azione imprudente può causare lesioni gravi entro una frazione di secondo.*
- 4) Maneggio ed impiego accurato di utensili elettrici**
- a) Non sovraccaricare l'utensile.** *Impiegare l'utensile elettrico adatto per sbrigare il lavoro. Utilizzando l'utensile elettrico adatto si potrà lavorare meglio e con maggior sicurezza nell'ambito della gamma di potenza indicata.*
- b) Non utilizzare utensili elettrici con interruttori difettosi.** *Un utensile elettrico che non si può più accendere o spegnere è pericoloso e dovrà essere riparato.*
- c) Scollegare la spina dalla sorgente di alimentazione e/o la batteria dall'utensile prima di effettuare regolazione, cambiare accessori, o riporre gli utensili a motore.** *Tale precauzione eviterà che l'apparecchio possa essere messo in funzione inavvertitamente.*
- d) Custodire gli utensili elettrici non utilizzati al di fuori della portata dei bambini. Non fare usare l'apparecchio a persone che non sono abituate ad usarlo o che non abbiano letto le presenti istruzioni.** *Gli utensili elettrici sono pericolosi se utilizzati da persone inesperte.*
- e) Effettuare accuratamente la manutenzione dell'apparecchio.** *Verificare che le parti mobili dello strumento funzionino perfettamente e non s'inzeppino, che non ci siano pezzi rotti o danneggiati al punto tale da limitare la funzione dell'apparecchio stesso. Far riparare le parti danneggiate prima d'impiegare l'apparecchio. Numerosi incidenti vengono causati da utensili elettrici la cui manutenzione è stata effettuata poco accuratamente.*
- f) Mantenere affilati e puliti gli utensili da taglio.** *Gli utensili da taglio curati con particolare attenzione e con taglienti affilati s'inzeppano meno frequentemente e sono più facili da condurre.*
- g) Utilizzare utensili elettrici, accessori, attrezzi, ecc. in conformità con le presenti istruzioni e secondo quanto previsto per questo tipo specifico di apparecchio. Osservare le condizioni di lavoro ed il lavoro da eseguirsi durante l'impiego.** *L'impiego di utensili elettrici per usi diversi da quelli consentiti potrà dar luogo a situazioni di pericolo.*
- h) Mantenere le impugnature e le superfici di presa asciutte, pulite e prive di olio e grasso.** *Le impugnature e le superfici di presa scivolose non permettono l'uso e il controllo sicuri dell'elettrotensile in situazioni impreviste.*
- 5) Maneggio ed impiego accurato di accumulatori**
- a) Caricare l'accumulatore solo ed esclusivamente nei dispositivi di carica consigliati dal produttore.** *Per un dispositivo di carica previsto per un determinato tipo di accumulatore, sussiste pericolo di incendio, se utilizzato con un accumulatore di tipo diverso.*
- b) Utilizzare negli utensili elettrici solo ed esclusivamente gli accumulatori previsti allo scopo.** *L'uso di accumulatori di tipo diverso potrà dare origine a lesioni e comportare il rischio d'incendi.*
- c) Tenere l'accumulatore non utilizzato lontano da graffette, monete, chiavi, chiodi, viti o da altri oggetti in metallo di piccole dimensioni che potrebbero causare un ponte tra i contatti.** *Un eventuale corto circuito tra i contatti dell'accumulatore potrà dare origine a bruciature o ad incendi.*
- d) In caso di impiego sbagliato, potranno insorgere fuoriuscite di liquido dall'accumulatore. Evitarne il contatto. In caso di contatto casuale, sciacquare con acqua.** *Qualora il liquido dovesse entrare in contatto con gli occhi, chiedere immediato consiglio al medico. Il liquido fuoriuscito dall'accumulatore potrà causare irritazioni cutanee o bruciature.*
- e) Non utilizzare una batteria o un elettrotensile danneggiati o modificati.** *Le batterie danneggiate o modificate potrebbero manifestare un comportamento imprevedibile con la possibilità di causare un'esplosione o un incendio.*
- f) Non esporre una batteria o un utensile al fuoco o a temperature elevate.** *L'esposizione al fuoco o a una temperatura superiore a 130 °C potrebbe provocare un'esplosione.*
- g) Seguire tutte le istruzioni per la carica e non caricare la batteria o l'elettrotensile a una temperatura che non rientri nell'intervallo di valori specificato nelle istruzioni.** *Una ricarica effettuata in maniera scorretta o a una temperatura che non rientra nell'intervallo di valori specificato, potrebbe danneggiare la batteria aumentando il rischio d'incendio.*
- 6) Assistenza**



- a) **Fare riparare l'apparecchio solo ed esclusivamente da personale specializzato e solo impiegando pezzi di ricambio originali.** *In tale maniera potrà essere salvaguardata la sicurezza dell'apparecchio.*
- b) **Non riparare le batterie danneggiate.** *Gli interventi di riparazione sulle batterie devono essere eseguiti dal costruttore o da fornitori di assistenza autorizzati.*

## NORME DI SICUREZZA SUPPLEMENTARI RELATIVE ALL'USO DEL TAGLIASIEPIA BATTERIA

- a) **Tenere tutte le parti del corpo distanti dalla lama di taglio. Non rimuovere il materiale tagliato e non tenere il materiale da tagliare quando le lame sono in movimento.** *Le lame continuano a girare dopo lo spegnimento. È sufficiente un momento di disattenzione nell'uso del tosasiepi per provocare gravi lesioni personali.*
- b) **Trasportare il tosasiepi prendendolo dall'impugnatura con la lama di taglio ferma e assicurandosi di non azionare l'interruttore di alimentazione.** *Se il tosasiepi viene maneggiato in modo corretto, si riducono le possibilità di lesioni causate dalle lame di taglio.*
- c) **Durante il trasporto o la conservazione del tosasiepi, reinserire sempre il copilama.** *La gestione corretta del tosasiepi ridurrà il pericolo di lesioni personali dovute alle lame.*
- d) **Durante la rimozione del materiale incastrato o per la manutenzione dell'unità, assicurarsi che tutti gli interruttori siano spenti e che il pacco batteria sia stato rimosso o scollegato.** *L'azionamento involontario del tosasiepi durante la rimozione di materiale incastrato o la manutenzione può provocare gravi lesioni personali.*
- e) **Afferrare lo strumento per le apposite maniglie quando si eseguono operazioni durante le quali l'attrezzo potrebbe entrare in contatto con cavi nascosti.** *Il contatto con cavi elettrici in tensione espone l'operatore al rischio di scosse elettriche.*
- f) **Tenere tutti i fili e i cavi di alimentazione lontani dall'area di taglio.** *I fili o i cavi di alimentazione potrebbero rimanere nascosti nelle siepi o nei cespugli e di conseguenza venire tagliati accidentalmente dalla lama.*
- g) **Evitare di usare il tosasiepi in**

**condizioni di maltempo, in particolare quando sussiste il pericolo di fulmini.**

*Ciò ridurrà il pericolo di venire colpiti da un fulmine.*

- h) **Controllare il cespuglio per la presenza di oggetti estranei, per esempio recinzioni metalliche e cavi nascosti.**
- i) **Tenere il tosasiepi in modo corretto, ossia con entrambe le mani sulle due impugnature, se presenti.**
- j) **Il tosasiepi è destinato ad essere usato dall'utente a livello del suolo e non su scale o qualsiasi altro supporto instabile.**
- k) **Prima di utilizzare il tosasiepi, l'utente deve assicurarsi che il/i dispositivo/i di bloccaggio di tutti gli elementi mobili (ad esempio l'albero esteso e l'elemento rotante), se presenti, siano in posizione di blocco.**
- l) **Eseguire a intervalli regolari la manutenzione di tutti i meccanismi di arresto regolabili.**

## ISTRUZIONI PER LA SICUREZZA DEL PACCO BATTERIA

- a) **Non smontare, aprire o strappare le cellule secondarie o il pacco batteria.**
- b) **Non cortocircuitare un pacco batteria. Non conservare un pacco batteria disordinatamente in una scatola o un cassetto in cui potrebbero cortocircuitarsi tra essi o essere cortocircuitati da altri oggetti metallici.** *Quando il pacco batteria non è in uso, tenerlo lontano da altri oggetti metallici come graffette, monete, chiavi, chiodi, viti e altri piccoli oggetti metallici, potrebbe avverarsi un collegamento tra i due terminali. Collegare i terminali della batteria potrebbe causare incendi o ustioni.*
- c) **Non esporre il pacco batteria a calore o fuoco. Evitare di conservarli alla luce diretta del sole.**
- d) **Non sottoporre il pacco batteria a scosse meccaniche.**
- e) **In caso di perdite da una cellula, evitare che il liquido entri in contatto con la pelle o gli occhi. In caso di contatto, lavare l'area interessata con abbondante acqua e consultare un medico.**
- f) **Tenere le cellule e il pacco batteria puliti e asciutti.**
- g) **Pulire i terminali delle cellule e del pacco batteria con un panno pulito e asciutto nel caso in cui si sporchino.**
- h) **Il pacco batteria deve essere caricato prima dell'uso. Utilizzare sempre il caricatore corretto e consultare le**

**Istruzioni.**


- i) **Non lasciare un pacco batteria in carica se non in uso.**
- j) **Dopo lunghi periodi di conservazione, potrebbe essere necessario caricare e scaricare le cellule o il pacco batteria diverse volte per ottenere le massime prestazioni.**
- k) **Ricaricare solo con il caricatore specificato da Kress. Non utilizzare caricatori diversi da quelli forniti per l'uso specifico con l'apparecchiatura.**
- l) **Non utilizzare un pacco batteria non progettato per l'uso con l'apparecchiatura.**
- m) **Tenere il pacco batteria fuori dalla portata dei bambini.**
- n) **Conservare i documenti originali del prodotto per riferimenti futuri.**
- o) **Rimuovere la batteria dall'apparecchiatura, se non in uso.**
- p) **Smaltire adeguatamente.**
- q) **Non mischiare batterie di diverse marche, capacità, dimensioni o tipologia nello stesso dispositivo.**
- r) **Tenere la batteria lontano da microonde e alta pressione.**

	Se smaltite in maniera scorretta, le batterie potrebbero entrare nel ciclo dell'acqua, con conseguenti rischi per l'ambiente. Non smaltire le batterie esaurite nei rifiuti generici.
 Li-Ion 	Batteria agli ioni di litio (Li-Ion). Questo prodotto è stato contrassegnato con un simbolo riguardante la raccolta differenziata per tutti i pacchi batteria. La batteria sarà poi riciclata o demolita allo scopo di ridurre l'impatto ambientale. I pacchi batteria possono costituire un pericolo per l'ambiente e per la salute umana in quanto contengono sostanze pericolose.
	Tenere lontane le mani
	Togliere la batteria prima di effettuare qualsiasi regolazione, manutenzione o riparazione.
	Indossare guanti protettivi
	I prodotti elettrici non possono essere gettati tra i rifiuti domestici. L'apparecchio da rottamare deve essere portato al centro di riciclaggio per un corretto trattamento. Controllare con le autorità locali o con il rivenditore per localizzare il centro di riciclaggio più vicino.

## SIMBOLI

	Per ridurre il rischio di lesioni, l'utente deve leggere il manuale di istruzioni
	Attenzione
	Indossare una protezione per le orecchie
	Indossare una protezione per gli occhi
	Indossare una maschera antipolvere
	Non esporre alla pioggia
	Non bruciare

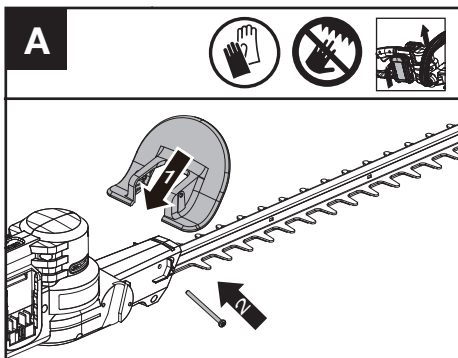
## ISTRUZIONI OPERATIVE

 **NOTA :** Leggere scrupolosamente il manuale delle istruzioni prima di usare l'attrezzo.

 **ATTENZIONE :** Non usare l'apparecchio senza aver montato la protezione e l'impugnatura anteriore.

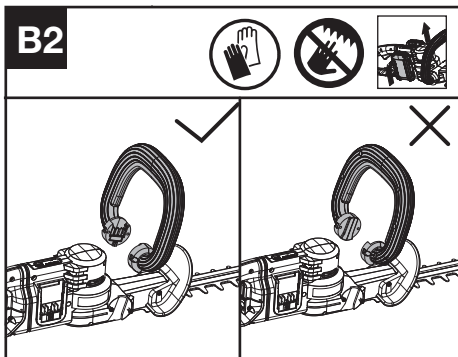
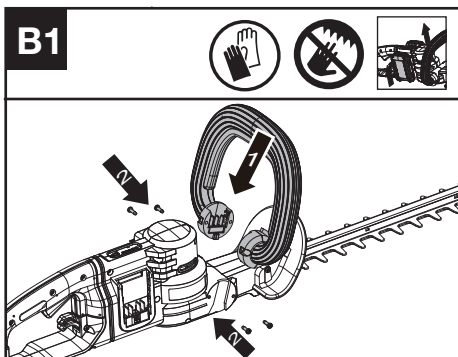
### MONTAGGIO E FUNZIONAMENTO PRIMA DI USARE IL TAGLIA SIEPI

Montaggio della protezione (Vedi Fig. A)



Montaggio dell'impugnatura anteriore (Vedi Fig. B1, B2)

**NOTA:** l'impugnatura è progettata in modo da evitare di assemblarlo nella direzione sbagliata. Se non si riesce a installarlo, farlo girare.

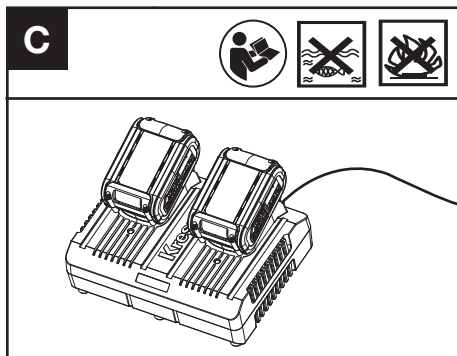


Caricamento del pacco batteria (Vedi Fig. C)

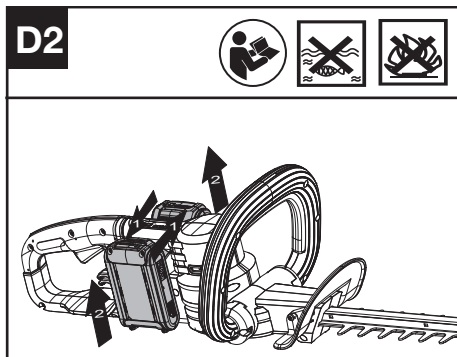
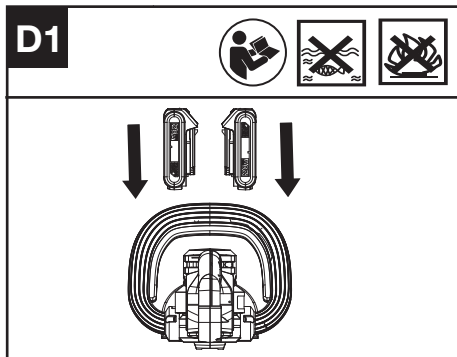
**NOTA:**

- L'unità batteria fornita è SCARICA ed è necessario caricarla prima di utilizzarla.
- Caricare sempre completamente le due

batterie nello stesso momento. È possibile trovare maggiori dettagli nel manuale del caricatore .



Rimozione e installazione dell'unità batteria (Vedi Fig. D1, D2)



**NOTA:**

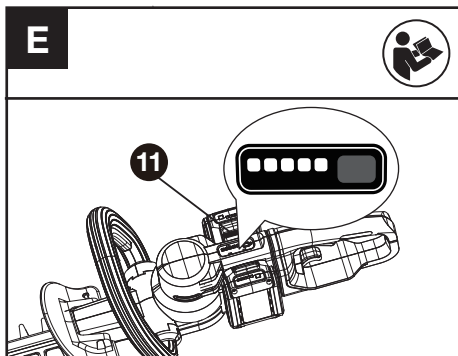
- Questo elettro utensile funziona esclusivamente se tutte e due le batterie sono installate. Usare sempre le stesse due batterie e caricarle contemporaneamente.
- Quando si utilizzando due batterie con potenze diverse l'utensile

**funzionerà solamente al valore di potenza corrispondente al minimo comun denominatore.**

## FUNZIONAMENTO

### Indicatore di carica (Vedi Fig. E)

#### Leggere i dettagli nella sezione STATO DELLA BATTERIA





#### IMPORTANTE

Quando è illuminata solo una luce verde, la batteria è scarica, anche se il tagliaerba potrebbe essere ancora in grado di tagliare l'erba. Se si continua ad utilizzare il tagliaerba con la batteria così scarica si rischia di ridurre la durata e le prestazioni della batteria.

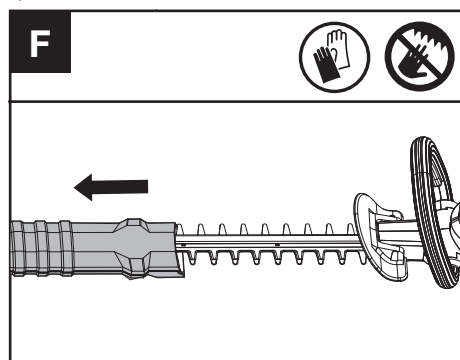
Quando nessuna spia è accesa, almeno una delle batterie non è correttamente installata o è difettosa, ricontrollare le batterie siano completamente inserite in sede.

- Prima dell'avvio e dell'uso premere il pulsante accanto all'indicatore del livello di carica delle batterie sulla sega per verificare la loro capacità.
- Durante il funzionamento la capacità delle batterie sarà indicata in automatico dall'indicatore del livello di carica. L'indicatore rileva e visualizza costantemente la condizione delle batterie come descritto di seguito.
- Per gli utensili dotati di 2 batterie con potenze diverse, l'indicatore del livello di carica mostra la condizione della batteria che ha la potenza inferiore tra le due.

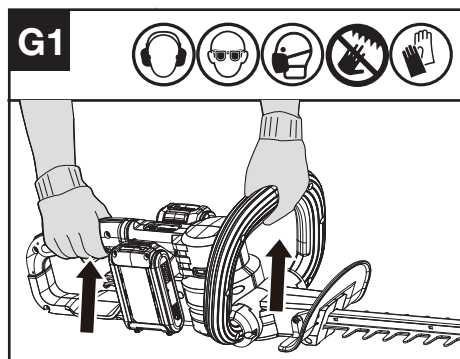
Stato dell'indicatore di carica	Condizione della batteria
Cinque spie verdi (  ) accese.	Le due batterie sono completamente cariche.
Due, tre o quattro spie verdi accese.	Le due batterie sono ancora cariche. Più spie sono accese, maggiore è la carica residua.
Solo una spia verde (  ) accesa.	Almeno una delle batterie è scarica e deve essere ricaricata.

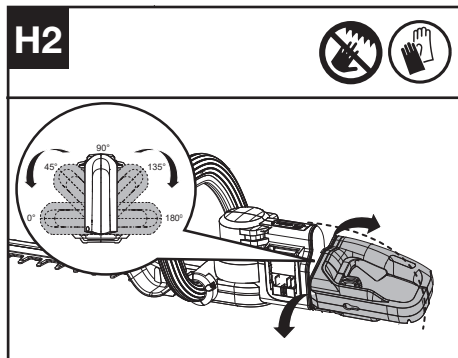
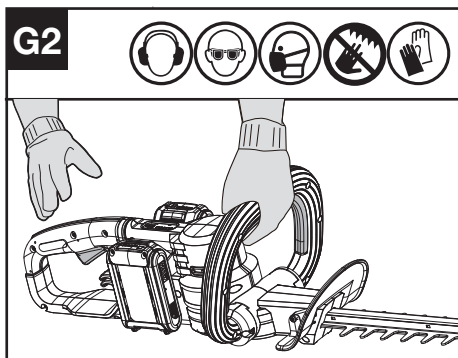
Nessuna spia accesa.	Almeno una delle batterie non è correttamente installata o è difettosa.
Una sola spia lampeggia due volte per ciclo.	Almeno una delle batterie è troppo scarica (consultare lo stato di carica della batteria): ricaricare le due batterie insieme prima dell'uso o del rimessaggio.
Una sola spia lampeggia tre volte per ciclo.	Almeno una delle batterie è surriscaldata: attendere il raffreddamento prima di ricominciare.
Una sola spia lampeggia quattro volte per ciclo.	La macchina è in sovraccarico. Rimuovere il tagliaerba dall'area di taglio e riprovare.

Rimuovere la copertura della lama (Vedi Fig. F)



Azionamento e arresto (Vedi Fig. G1, G2)

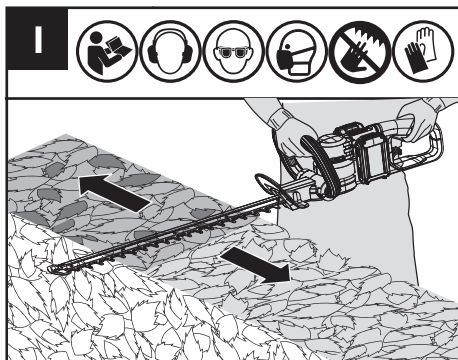
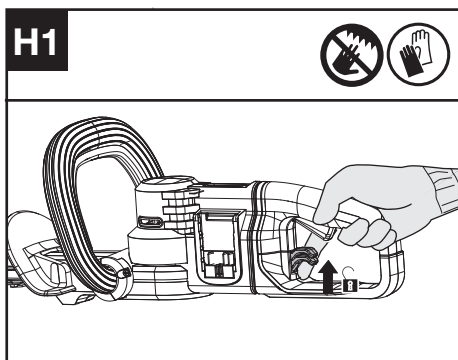




Impugnatura posteriore rotante (Vedi Fig. H1, H2)

Taglio orizzontale superiore (Vedi Fig. I)

**! AVVERTENZA :** Qualora vi fossero parti mancanti, danneggiate o rotte, non utilizzare il tagliaerba finché tutte le parti danneggiate non saranno sostituite o riparate. In caso contrario potrebbero verificarsi lesioni personali gravi. **NON USARE L'APPARECCHIO SENZA AVER MONTATO LA PROTEZIONE E L'IMPUGNATURA ANTERIORE.**



**NOTA:**

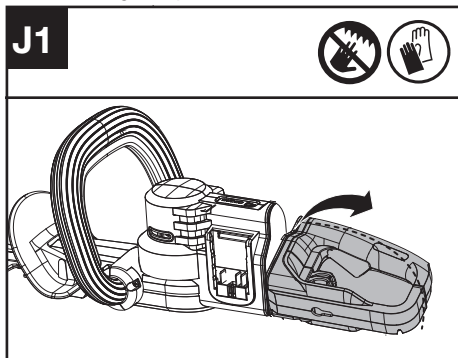
- prima di ruotare l'impugnatura sbloccare l'interruttore di bloccaggio;
- dopo aver ruotato l'impugnatura nella posizione desiderata, regolarla fino ad avvertire un clic.

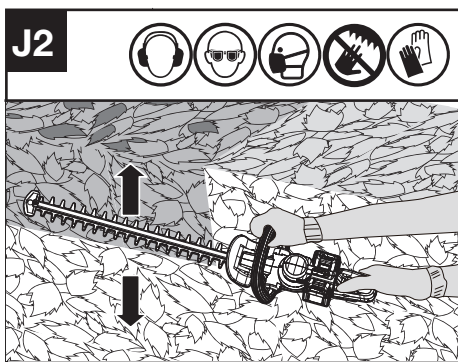
**! AVVERTENZA :**

- **Prima dell'uso assicurarsi che l'impugnatura sia bloccata nella posizione desiderata.**
- **Prima di avviare il tagliaerba assicurarsi che l'interruttore di bloccaggio sia bloccato.**
- **Non ruotare l'impugnatura mentre il tagliaerba è in uso.**

Taglio frontale e laterale (Vedi Fig. J1, J2)

**AVVERTENZA:** Prima di ruotare l'impugnatura arrestare il tagliaerba.





crescite pungenti o spinose.  
Non tentare di tagliare steli troppo spessi per la lama di taglio.

#### Taglio orizzontale superiore

Usare ampi movimenti laterali sinistra e destra. Una leggera inclinazione della lama verso il basso, nella direzione di taglio, permetterà migliori risultati.

#### Taglio frontale e laterale

Quando si procede al taglio frontale e laterale, cominciare sempre dal basso verso l'alto arrotondando il lato della siepe. Questa forma esporrà al sole più superficie della siepe e quindi permetterà una crescita uniforme della stessa.

## MANUTENZIONE

### Togliere la batteria prima di effettuare qualsiasi regolazione, manutenzione o riparazione.

All'interno dell'attrezzo non ci sono parti riparabili da parte dell'utente. Non usare mai acqua o detergenti chimici per pulire l'attrezzo. Pulire con un panno asciutto. Immagazzinare sempre gli attrezzi elettrici in luoghi asciutti. Tenere pulite le aperture di ventilazione del motore. Tenere puliti dalla polvere tutti i controlli operativi.

## PER GLI UTENSILI A BATTERIA

La temperatura ambientale raccomandata per l'uso e la conservazione dell'utensile e della batteria è di 0 °C-45 °C.

La temperatura ambientale raccomandata per il caricabatterie durante la carica è di 0 °C-40 °C.

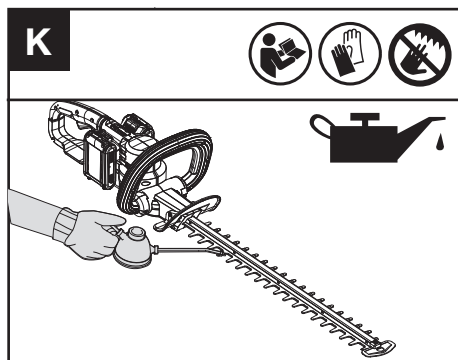
## SPECIFICHE TECNICHE

**Codice KG285 KG285.X (250-299- designazione del macchinario rappresentativo del taglia siepi)**

	<b>KG285 KG285.X **</b>
Tensione di rete	40V  MAX(2x20V MAX.) ***
Velocità a vuoto	3400 /min
Lunghezza della lama	61 cm
Ampiezza di taglio	58 cm
Spaziatura dei denti	33 mm
Diametro massimo di taglio	27 mm
Peso (Utensile nudo)	2.7 kg

### LUBRIFICARE LA LAMA (Vedi Fig. K)

**NOTA:** Per evitare danni alla lama è importante utilizzare esclusivamente l'olio lubrificante standard raccomandato (WD-40).



## COME UTILIZZARE IL TAGLIESIEPI

Prima di tagliare una zona, ispezionarla e rimuovere tutti gli oggetti estranei che possono essere lanciati o impigliarsi nelle lame. Tenere sempre il taglia siepe con entrambe le mani e indirizzare la lama lontano da sé prima di accendere l'attrezzo.

Iniziare a tagliare quando il motore ha raggiunto la velocità di regime. Utilizzare l'apparecchio lontano da persone e corpi solidi come muro, grosse pietre, automobili, ecc.

Consentire alle lame di raggiungere la massima velocità prima di tagliare. Durante l'uso tenere le lame di taglio lontane dalle persone e da oggetti come pareti, grosse pietre, alberi, veicoli, eccetera. Se la lama va in stallo, spegnere immediatamente il taglia siepi.

Rilasciare il grilletto dell'acceleratore e l'interruttore di presenza dell'operatore prima di tentare di rimuovere i detriti inceppati dalle lame di taglio. Indossare guanti da lavoro quando si tagliano

\*\*X = 1-999, A-Z, M1-M9 solo per clienti diversi, non ci sono cambiamenti rilevanti sicuri tra questi modelli.

\*\*\* Tensione misurata senza carico di lavoro.


La tensione iniziale della batteria raggiunge un massimo di 20 Volt. La tensione nominale è di 18 Volt.

## BATTERIE E CARICABATTERIE CONSIGLIATI

Categoria	Tipo	Capacità
20V Batteria	KAB02	2.0 Ah
20V Caricabatteria	KAC04	4.0 A

Si raccomanda di acquistare tutti gli accessori nello stesso negozio in cui è stato acquistato l'attrezzo. Fare riferimento alla confezione dell'accessorio per altri dettagli. Il personale del negozio può aiutarvi e consigliarvi.

## INFORMAZIONI SUL RUMORE

Pressione acustica ponderata A	$L_{pA} = 84.65 \text{ dB(A)}$ $K_{pA} = 3 \text{ dB(A)}$
Potenza acustica ponderata A	$L_{wA} = 95.65 \text{ dB(A)}$ $K_{wA} = 3 \text{ dB(A)}$
<b>Indossare protezione per le orecchie.</b>	


## INFORMAZIONI SULLA VIBRAZIONE

I valori totali di vibrazione sono determinati secondo lo standard EN 62841:

Valore emissione vibrazioni	$a_h = 2.39 \text{ m/s}^2$
Incertezza K = 1.5 m/s <sup>2</sup>	

Il valore totale di emissione di vibrazioni dichiarato e il valore di emissioni sonore dichiarati sono stati misurati in base a un metodo di collaudo standard e possono essere utilizzati per il confronto di un utensile con un altro.

Il valore totale di emissione di vibrazioni dichiarato e il valore di emissioni sonore dichiarato possono anche essere utilizzati in una valutazione preliminare dell'esposizione.

 **AVVERTENZA:** le emissioni di vibrazioni e sonore durante l'uso effettivo

dell'elettrotensile possono differire dal valore dichiarato in base alle modalità con cui esso viene utilizzato. In particolare quale tipo di pezzo viene lavorato dipende dai seguenti fattori e da altre variazioni sulle modalità di utilizzo dell'elettrotensile:

Come viene usato l'elettrotensile e quali sono i materiali tagliati o forati.


Le condizioni e la buona manutenzione dell'elettrotensile.

L'uso dell'accessorio corretto per il taglio e la sua affilatura, nonché le sue buone condizioni.

La tenuta della presa sulle impugnature e se vengono utilizzati eventuali accessori antivibrazioni e antirumore.

L'adeguatezza dell'utilizzo dell'elettrotensile rispetto a quanto previsto.

**Questo elettrotensile potrebbe causare l'insorgenza della sindrome della vibrazione dell'avambraccio se il suo utilizzo non viene gestito correttamente.**


 **AVVERTENZA:** per essere precisi, una stima del livello di esposizione nelle attuali condizioni di utilizzo dovrebbe anche tenere conto di tutte le parti del ciclo operativo, come le volte in cui lo strumento viene spento e il tempo in cui viene lasciato girare a vuoto senza realmente fare il suo lavoro. Questo potrebbe ridurre significativamente il livello di esposizione sul periodo di lavoro totale.

Aiuto a minimizzare il rischio di esposizione alle vibrazioni e al rumore.

Usare sempre scalpelli, trapani e lame affilati. Conservare questo elettrotensile sempre in conformità a queste istruzioni e mantenerlo ben lubrificato (dove appropriato).

Se l'utensile deve essere utilizzato regolarmente, investire in accessori antivibrazioni e antirumore. Pianificare il lavoro in modo da suddividere i lavori che implicano le maggiori vibrazioni nell'arco di più giorni

## TUTELA AMBIENTALE

 I prodotti elettrici non possono essere gettati tra i rifiuti domestici. L'apparecchio da rottamare deve essere portato al centro di riciclaggio per un corretto trattamento. Controllare con le autorità locali o con il rivenditore per localizzare il centro di riciclaggio più vicino.

## DICHIARAZIONE DI CONFORMITÀ

NOI,  
Positec Germany GmbH  
Postfach 32 02 16, 50796 Cologne, Germany

A nome di Positec si dichiara che il prodotto  
Descrizione **Kress Tagliasiepi senza filo**  
Codice **KG285 KG285.x (250-  
299- designazione del macchinario  
rappresentativo della Taglia siepe)**  
Funzione **L'utensile è previsto per  
tagliare e tosare siepi e cespugli del  
Vostro giardino.**

È conforme alle seguenti direttive,

**2006/42/EC**

**2014/30/EU**

**2011/65/EU&(EU)2015/863**

**2000/14/EC modificata dalla 2005/88/EC**

**2000/14/EC modificata dalla 2005/88/EC:**

- Procedura di conformità come da **Annex V**
- Potenza acustica pesata **95.56 dB(A)**
- Massima potenza di rumore garantita **96 dB(A)**

conforme a,

**EN 62841-1 EN 62841-4-2 EN ISO 3744 EN  
55014-1 EN 55014-2**

Il responsabile autorizzato alla compilazione della  
documentazione tecnica,

**Nome Marcel Filz**

**Indirizzo Positec Germany GmbH**

**Postfach 32 02 16, 50796 Cologne,  
Germany**

2022/12/02

Allen Ding

Vice capo ingegnere, testing e certificazione

Positec Technology (China) Co., Ltd

18, Dongwang Road, Suzhou Industrial

Park, Jiangsu 215123, P. R. China



# ÍNDICE

INTRODUCCIÓN.....	49
LISTA DE COMPONENTES.....	50
SEGURIDAD DEL PRODUCTO.....	51
INSTRUCCIONES DE FUNCIONAMIENTO.....	54
MANTENIMIENTO .....	58
DATOS TÉCNICOS.....	58
PROTECCIÓN AMBIENTAL.....	59
DECLARACIÓN DE CONFORMIDAD.....	59

## INTRODUCCIÓN

Estimado cliente:

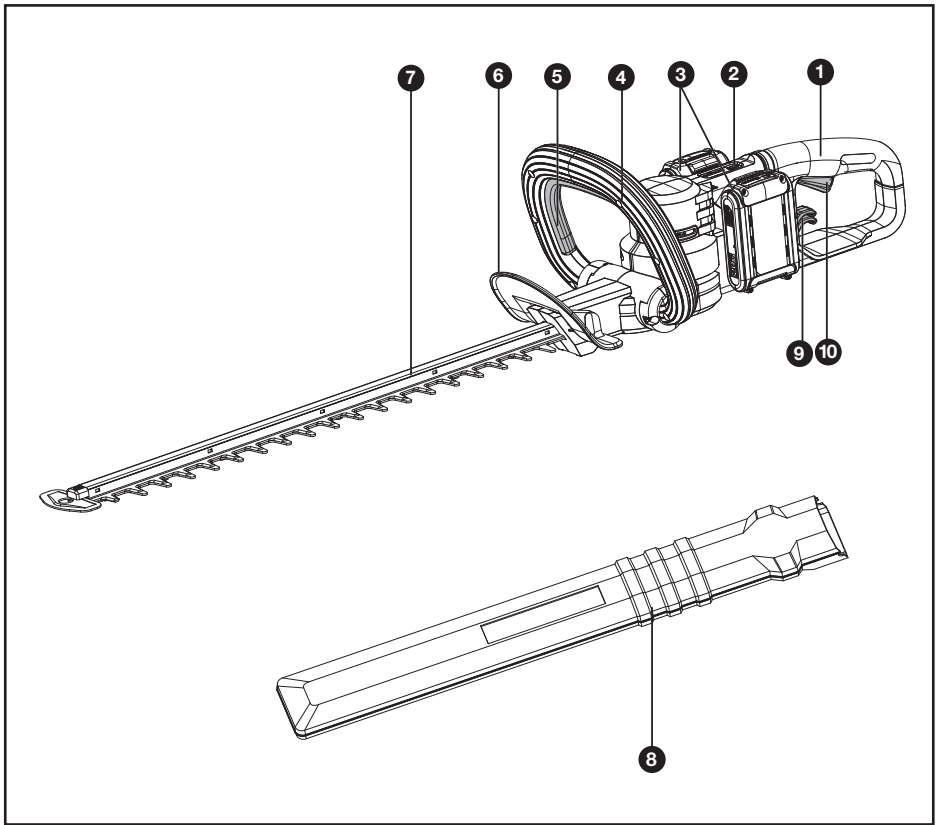
Gracias por comprar este producto Kress. Nos dedicamos a desarrollar productos de alta calidad para satisfacer sus necesidades para césped y jardín.

La marca Kress es sinónimo de servicio de calidad suprema. Durante la vida de nuestros productos, si le surgen preguntas o preocupaciones sobre su producto, póngase en contacto con el lugar de compra o con nuestro Equipo de Atención al Cliente para obtener ayuda.

Confiamos en que, en los años venideros, disfrute trabajando con su producto Kress.

## UTILIZACIÓN REGLAMENTARIA

El aparato ha sido diseñado para realizar trabajos de corte y de poda en setos y arbustos en jardines domésticos.



ES


## LISTA DE COMPONENTES

1.	<b>EMPUÑADURA TRASERA GIRATORIA</b>
2.	<b>INDICADOR DE ALIMENTACIÓN</b>
3.	<b>BATERÍA*</b>
4.	<b>EMPUÑADURA DELANTERA</b>
5.	<b>INTERRUPTOR DE PRESENCIA DE OPERARIO (Circular)</b>
6.	<b>PROTECCIÓN</b>
7.	<b>CUCHILLA</b>
8.	<b>FUNDA PROTECTORA DE CUCHILLA</b>
9.	<b>INTERRUPTOR DE BLOQUEO DE LA ROTACIÓN</b>
10.	<b>GATILLO DE ACELERADOR</b>
11.	<b>BLOQUEO DE LA BATERÍA* (VÉASE LA FIG. E)</b>

\* Los accesorios ilustrados o descritos pueden no corresponder al material suministrado de serie con el aparato.

# SEGURIDAD DEL PRODUCTO

## ADVERTENCIA DE SEGURIDAD GENERALES SOBRE HERRAMIENTAS ELÉCTRICAS

 **ADVERTENCIA:** Lea todas las advertencias de seguridad, instrucciones, ilustraciones y especificaciones que acompañan a esta herramienta eléctrica. Si no se respetan todas las instrucciones que se indican abajo, podría producirse una descarga eléctrica, un incendio o alguien podría resultar herido de gravedad.

**Conserve todas las advertencias e instrucciones para futuras consultas.**

El término "herramienta eléctrica" en todas las advertencias siguientes corresponde a la herramienta eléctrica con o sin cable.

### 1) ZONA DE TRABAJO

**a) Mantener su lugar de trabajo limpio y bien iluminado.** Bancos de trabajo desordenados y lugares oscuros invitan a los accidentes.

**b) No utilizar herramientas eléctricas en atmósferas explosivas, como por ejemplo en presencia de líquidos inflamables, gases o polvo.** Las herramientas eléctricas crean chispas que pueden encender el polvo o los vapores.

**c) Mantener alejados a los niños y visitantes mientras opera una herramienta eléctrica.** Las distracciones pueden hacerle perder el control.

### 2) SEGURIDAD ELÉCTRICA

**a) Los enchufes de la herramienta eléctrica deben encajar perfectamente en el tomacorriente. Nunca modificar el enchufe de ninguna manera. No utilizar adaptadores con herramientas eléctricas conectadas a tierra.** Los enchufes no modificados y los que encajan perfectamente en el tomacorriente reducirán el riesgo de descarga eléctrica.

**b) Evitar el contacto del cuerpo con superficies conectadas a tierra tales como caños, radiadores, cocinas y heladeras.** Existe un riesgo creciente de descarga eléctrica si su cuerpo queda conectado a tierra.

**c) No exponer las herramientas eléctricas a la lluvia y no guardar en lugares húmedos.** El agua que penetra en ellas aumentará el riesgo de una descarga eléctrica.

**d) No abusar del cable. Nunca utilizar el cable para transportar, tirar o desenchufar la herramienta eléctrica. Mantener el cable alejado del calor, del aceite, de bordes agudos o piezas móviles.** Los cables dañados o enredados aumentan el riesgo de descarga eléctrica.

**e) Cuando utilice su herramienta eléctrica al aire libre, emplear un prolongador apto para uso en exteriores.** El empleo de cables para uso al aire libre reduce el riesgo de descarga eléctrica.

**f) Si es necesario utilizar la herramienta motorizada en un lugar muy húmedo, utilice una fuente de alimentación con dispositivo de corriente residual (RCD).** El uso de un RCD reduce el riesgo de descarga eléctrica.

### 3) SEGURIDAD PERSONAL

**a) Mantenerse alerta, poner atención en lo que está haciendo y utilice el sentido común mientras opera una herramienta eléctrica. No emplear la herramienta cuando se encuentre cansado o bajo la influencia de drogas, alcohol o medicación.** Un momento de falta de atención durante el manejo de herramientas eléctricas puede dar lugar a daños corporales serios.

**b) Utilizar equipo de seguridad. Usar siempre protección ocular.** Equipo de seguridad como máscaras contra el polvo, zapatos antideslizantes de seguridad, sombrero o protección auditiva para condiciones apropiadas reducirá daños corporales.

**c) Evite el arranque accidental. Asegúrese de que el interruptor se encuentra desactivado antes de enchufar la máquina o colocar la batería, al tomar la herramienta o transportarla.** Transportar herramientas con el dedo en el interruptor o enchufar la herramienta cuando el interruptor está encendido invitan a los accidentes.

**d) Retire llaves de ajuste o llaves inglesas antes de poner la herramienta en funcionamiento.** Una llave que queda unida a una pieza móvil de la herramienta puede originar daños corporales.

**e) No extralimitarse. Mantenerse firme y con buen equilibrio en todo momento.** Esto permite un mejor control de la herramienta en situaciones inesperadas.

**f) Vestirse apropiadamente. No usar ropa suelta ni alhajas. Mantenga el pelo, la ropa y los guantes alejados de las piezas en movimiento.** La ropa suelta, las alhajas o el cabello largo pueden ser atrapados por las piezas móviles.

**g) Si se proporcionan dispositivos para la extracción y recolección de polvo, asegurarse de que estos estén conectados y utilizados**

**correctamente.** El uso de estos dispositivos puede reducir peligros relacionados con el polvo.

- h) No permita que el hecho de estar familiarizado con el uso de herramientas le haga volverse descuidado o ignorar las normas de seguridad.** La falta de atención puede provocar heridas graves en una fracción de segundo
- 4) MANTENIMIENTO de la HERRAMIENTA MOTORIZADA**
- a) No fuerze la herramienta eléctrica. Utilizar la herramienta eléctrica correcta para su aplicación.** La herramienta eléctrica correcta hará el trabajo mejor y más seguro a la velocidad para la cual fue diseñada.
- b) No utilizar la herramienta eléctrica si el interruptor no la enciende o apaga.** Cualquier herramienta eléctrica que no pueda ser controlada con el interruptor es peligrosa y debe ser reparada.
- c) Desconecte el enchufe de la toma eléctrica y/o la batería de la herramienta antes de realizar cualquier ajuste, cambiar un accesorio o guardar la herramienta.** Tales medidas de seguridad preventivas reducen el riesgo de arranque accidental de la herramienta.
- d) Mantener las herramientas eléctricas que no usa fuera del alcance de los niños y no permita que personas no familiarizadas con la herramienta o con estas instrucciones maneje la herramienta eléctrica.** Las herramientas eléctricas son peligrosas en manos de usuarios inexpertos.
- e) Revisar las herramientas eléctricas. Comprobar si hay desalineamiento o atascamiento de piezas móviles, rotura de piezas en general y cualquier otra condición que pueda afectar la operación normal de la herramienta. Si se verifican daños, recurra a un service calificado antes de volver a usar la herramienta.** Las herramientas mal mantenidas causan muchos accidentes.
- f) Mantener las piezas de corte limpias y afiladas.** Puesto que son menos probables de atascarse y más fáciles de controlar.
- g) Utilizar la herramienta eléctrica, accesorios y brocas etc., de acuerdo con estas instrucciones y de la manera prevista para el tipo particular de herramienta eléctrica, teniendo en cuenta las condiciones de trabajo y el trabajo a ser realizado.** El uso de la herramienta eléctrica para otras operaciones distintas de lo previsto podría dar lugar a una situación peligrosa.
- h) Mantenga las empuñaduras y las superficies de agarre secas, limpias**

**y sin aceite ni grasa.** Una empuñadura o una superficie de agarre resbaladiza dificultan la correcta manipulación y el control de la herramienta en situaciones imprevistas.

## **5) UTILIZACIÓN Y MANTENIMIENTO DE LA BATERÍA**

- a) Recargar solamente con el cargador indicado por el fabricante.** Un cargador adaptado a un tipo de batería podría crear un riesgo de incendio si se utiliza con una diferente batería.
- b) Utilizar las herramientas eléctricas solamente con baterías especialmente adaptadas.** La utilización de cualquier otra batería podría causar un riesgo de incendio o herida.
- c) Cuando la batería no está en uso, tenerla lejos de los objetos metálicos como los trombones, las piezas de moneda, las llaves, los clavos, los tornillos, o cualquier otro pequeño objeto metálico susceptibles de establecer una conexión de un terminal a otra.** El cortocircuito de un terminal a otra puede causar quemaduras o un incendio.
- d) Hay una fuga de líquido de la batería. Evitar todo contacto. Si entre accidentalmente en contacto con este líquido, lavar con agua limpia.** En caso de contacto con los ojos, consultar a un médico. El líquido presente en las baterías puede causar irritaciones o quemaduras.
- e) No utilice una batería o una herramienta que estén dañadas o hayan sido modificadas.** Las baterías dañadas y modificadas pueden comportarse de forma imprevisible y provocar un incendio, una explosión o herir a alguien.
- f) No arroje una batería o herramienta al fuego ni las exponga a una temperatura excesiva.** La exposición al fuego y a temperaturas superiores a 130 °C puede provocar una explosión.
- g) Respete todas las instrucciones de carga y no cargue la batería o la herramienta fuera del rango de temperatura especificado en las instrucciones.** Una carga inadecuada o a una temperatura fuera del rango especificado puede ocasionar daños en la batería y aumentar el riesgo de incendio
- 6) REPARACIÓN**
- a) Permitir que el mantenimiento de su herramienta eléctrica sea efectuado por una persona calificada usando solamente piezas de recambio idénticas.** Esto es primordial para mantener la seguridad de la herramienta eléctrica.
- a) No intente reparar nunca una batería dañada.** Cualquier intervención técnica en una batería debe ser realizada exclusivamente por el

## NOTAS IMPORTANTES DE SEGURIDAD ADICIONAL PARA SU PODADORA DE SETOS

- a) **Conserve todas las partes del cuerpo alejadas de la cuchilla de corte. No retire el material cortado ni sostenga el material a cortar con las cuchillas en movimiento.** *Las cuchillas siguen moviéndose después de apagar. Un momento de desatención durante el uso de la recortadora podría resultar en una lesión personal seria.*
- b) **Transporte la recortadora por el mango con la cuchilla de corte detenida y teniendo cuidado de no accionar el interruptor de encendido.** *Un manejo adecuado de la recortadora permitirá reducir las posibles lesiones personales relacionadas con las cuchillas de corte.*
- c) **Al transportar o guardar la recortadora de setos, coloque siempre la cubierta de la cuchilla.** *Un manejo adecuado de la recortadora de setos disminuirá el riesgo de lesiones personales con la cuchillas.*
- d) **Cuando se limpie material atascado o se de servicio a la unidad, asegurese de que todos los interruptores de encendido estén desactivados y que la cubierta de batería se haya retirado o desconectado.** *Un accionamiento inesperado de la recortadora de setos mientras se despeja material atascado o se da servicio puede tener como resultado lesiones personales graves.*
- e) **Sostenga la herramienta por las empuñaduras aislantes cuando realice una operación donde la herramienta de corte puede entrar en contacto con cableado oculto.** *El contacto con un cable con corriente también hará que las partes expuestas del metal de la herramienta puedan transmitirle una descarga eléctrica.*
- f) **Mantener todos los cables de alimentación alejados de la zona de corte.** *Puede haber cables de alimentación ocultos en setos o arbustos y pueden ser cortados accidentalmente por la cuchilla.*
- g) **No utilizar la recortadora de setos en malas condiciones meteorológicas, especialmente si hay riego de tormenta eléctrica.** *Esto disminuye el riesgo de ser alcanzado por un rayo.*
- h) **Compruebe si hay objetos extraños en el seto, como p.ej. vallas metálicas y cableado oculto.**
- i) **Sostenga la recortadora de setos correctamente, p. ej. con ambas manos si se proporcionan dos mangos.**







- j) **La recortadora de setos está pensada para ser usada por un operario a nivel del suelo, no sobre escaleras ni ningún otro soporte inestable.**
- k) **Antes de poner a funcionar la recortadora de setos, el usuario debe asegurarse de que el dispositivo de bloqueo de cualquier elemento móvil (p. ej. el vástago extendido y el elemento de pivote), si los hubiera, estén en la posición de bloqueo.**
- l) **Haga que cualquier mecanismo de parada ajustable reciba mantenimiento a intervalos regulares.**

## ADVERTENCIAS DE SEGURIDAD PARA LA BATERÍA

- a) **No desmonte, abra o destruya las pilas o las baterías recargables.**
- b) **No provoque un cortocircuito en la batería. No almacene las baterías de forma descuidada en una caja o cajón donde podría provocar un cortocircuito entre ellas o mediante otros objetos metálicos.** *Cuando la batería no esté siendo utilizada, manténgala alejada de objetos metálicos, como clips de papel, monedas, llaves, clavos, tornillos u otros objetos metálicos pequeños, que pueden posibilitar la conexión de un borne con otro. Al provocar un cortocircuito con los bornes de la batería se pueden sufrir quemaduras o generar un incendio.*
- c) **No exponga las baterías al calor o al fuego. No las guarde expuestas directamente al sol.**
- d) **No exponga las baterías a impactos mecánicos.**
- e) **En caso de que la batería tenga fugas de líquido, no permita que el líquido entre en contacto con la piel o los ojos. Si se produce el contacto, lave la zona afectada con grandes cantidades de agua y acuda a un médico.**
- f) **Mantenga las baterías limpias y secas.**
- g) **Limpie los bornes de la batería con un paño limpio si se ensucian.**
- h) **Cargue la batería antes de utilizarla. Consulte siempre estas instrucciones y aplique el procedimiento de carga adecuado.**
- i) **No deje la batería cargándose durante prolongados periodos de tiempo cuando no se utilice.**
- j) **Después de prolongados periodos de almacenamiento, puede que sea necesario cargar y descargar la batería varias veces para obtener el máximo rendimiento.**
- k) **Recargue solo con el cargador indicado por Kress. No utilice**

ningún otro cargador que no sea el específicamente proporcionado para el uso con este equipo.


- l) No utilice ninguna batería distinta a la diseñada para utilizarse con el aparato.
- m) Mantenga la batería fuera del alcance de los niños.
- n) Conserve la documentación original del producto por si tuviera que consultarla en otro momento.
- o) Extraiga la batería del aparato cuando no lo utilice.
- p) Deshágase del producto correctamente.
- q) No se deben mezclar pilas de diferentes fabricantes, capacidad, tamaño o tipo en un mismo dispositivo.
- r) Mantener la batería lejos de microondas y alta presión.


 Li-Ion 	<p>Batería de iones de litio. Este producto tiene una marca que lo designa para la recogida selectiva, junto con otras pilas y baterías. Una vez recogido, se reciclará o se desmontará con el fin de reducir el impacto en el medioambiente. Las baterías contienen sustancias peligrosas y pueden ser perjudiciales para el medioambiente y para la salud de las personas.</p>
	<p>Mantenga las manos alejadas</p>
	<p>Quite la batería antes de llevar a cabo cualquier ajuste o tarea de reparación o mantenimiento.</p>
	<p>Utilizar guantes de protección</p>
	<p>Los residuos de equipamientos eléctricos y electrónicos no deben depositarse con las basuras domésticas. Se recogen para reciclarse en centros especializados. Consulte las autoridades locales o su revendedor para obtener informaciones sobre la organización de la recogida.</p>

## SÍMBOLOS

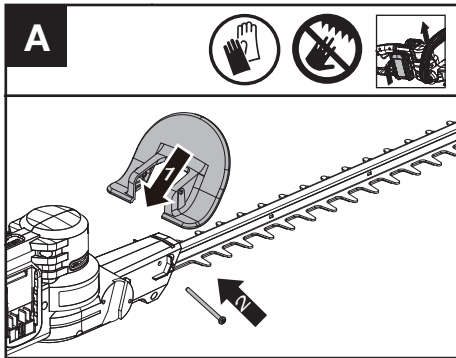
	<p>Para reducir el riesgo de lesión, lea el manual de instrucciones</p>
	<p>Advertencia</p>
	<p>Utilice protección auditiva</p>
	<p>Utilizar protección ocular</p>
	<p>Utilizar una máscara antipolvo</p>
	<p>Evite cualquier exposición a la lluvia</p>
	<p>No incinerar</p>
	<p>Si no se eliminan correctamente, las baterías podrían interferir en el ciclo del agua, una situación que pondría en riesgo el ecosistema. Por este motivo, las baterías no deben eliminarse junto con los residuos municipales sin clasificar.</p>

## INSTRUCCIONES DE FUNCIONAMIENTO

 **NOTA :** Antes de usar la herramienta lea el manual de instrucciones detenidamente.

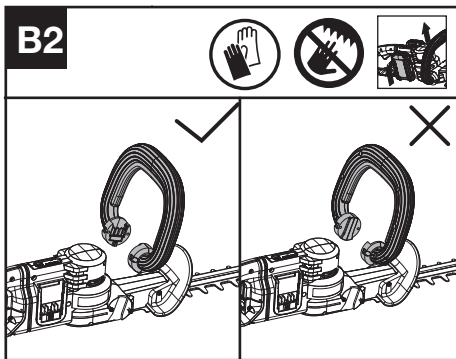
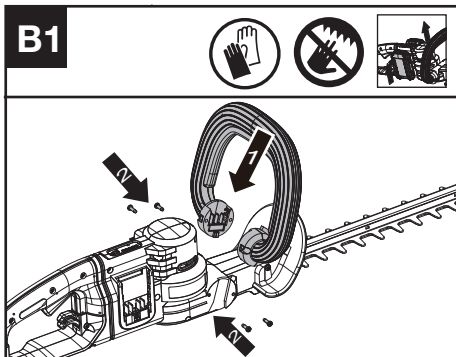
 **¡ADVERTENCIA!** Antes de poner en marcha su aparato, siempre instalar el protector y la empuñadura delantera. **MONTAJE Y FUNCIONAMIENTO ANTES DE UTILIZAR SU PODADORA DE SETOS A BATERÍA**

Montaje de la tapa de protección (Ver Fig. A)



Montaje de la empuñadura frontal (Ver Fig. B1, B2)

**NOTA:** La empuñadura está diseñada para evitar que se instale en la dirección equivocada. Si tiene dificultades para instalarla, dele la vuelta.

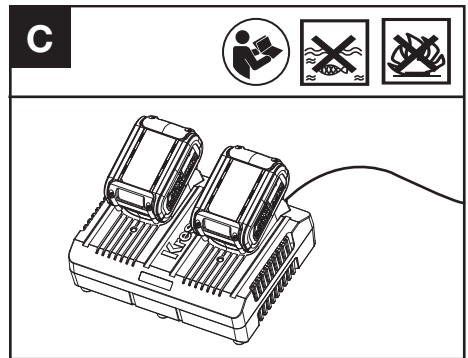


Cargar la batería (Ver Fig. C)

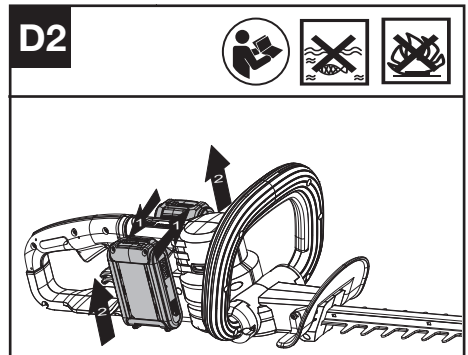
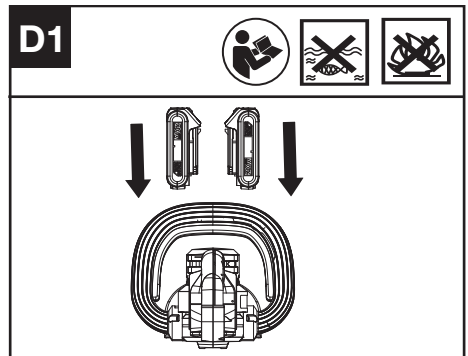
**NOTA:**

- La batería está DESCARGADA y debe cargarse antes de utilizarla.
- Cargue siempre las dos baterías por

completo y al mismo tiempo. Encontrará más información en el manual del cargador.



Extraer o instalar el pack de batería(Ver Fig. D1, D2)



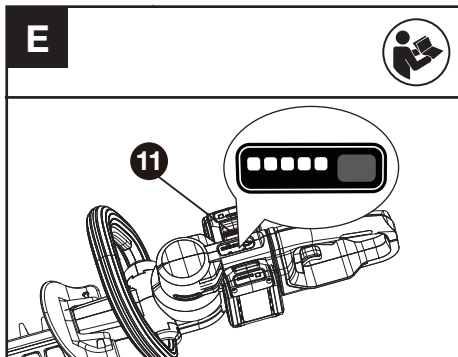
**NOTA:**

- **Esta máquina solo funciona con 2 baterías instaladas. Utilice siempre las dos mismas baterías y cárguelas al mismo tiempo.**
- **Cuando se utilizan dos baterías con diferente cantidad de energía, la máquina funciona únicamente con base en el mínimo común denominador.**

## FUNCIONAMIENTO

### Indicador de alimentación (Ver Fig. E)

#### Consulte la información de ESTADO DE LA BATERÍA



#### IMPORTANTE


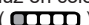
Si sólo se ilumina una luz verde, la batería está descargada. Esto será así aunque el cortacésped continúe funcionando. Si continúa utilizando su cortacésped con la batería descargada, podría reducir la vida y el rendimiento de su batería.

Si no se ilumina ninguna luz, significa que como mínimo una batería no está bien instalada o que tiene un fallo. Vuelva a comprobar que las baterías estén colocadas correctamente.

- Antes de encender la máquina o cuando termine de usarla, pulse el botón que hay al lado del indicador de encendido para ver el nivel de batería.

- Durante el funcionamiento. El indicador de batería muestra automáticamente el nivel de batería. Este indicador detecta y muestra el nivel de batería constantemente, tal como se indica a continuación.

- En las máquinas con 2 baterías con diferente cantidad de energía, el indicador de alimentación muestra el nivel de la batería con menos energía.

Estado del indicador de la batería	Estado de la batería
Se iluminan cinco luces en color verde (  ).	Las dos baterías tienen mucha carga.
Se iluminan dos, tres o cuatro luces en color verde.	Hay energía en las dos baterías. Cuantas más luces se iluminen, mayor es la cantidad de energía restante.
Solo se ilumina una luz en color verde (  ).	Almeno una delle batterie è scarica e deve essere ricaricata.
No se ilumina ninguna luz.	Como mínimo una batería no está bien instalada o tiene un fallo.

Parpadea una única luz con una frecuencia de dos veces por ciclo.

Como mínimo una batería está sobre descargada (consulte el estado de carga de la batería). Recargue las dos baterías al mismo tiempo antes de usarlas de nuevo o de guardarlas.

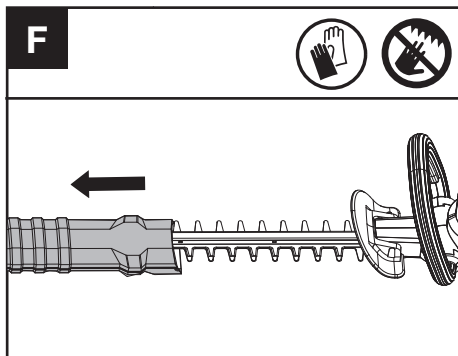
Parpadea una única luz con una frecuencia de tres veces por ciclo.

Como mínimo una batería está caliente. Deje enfriar las baterías antes de volver a encender la máquina.

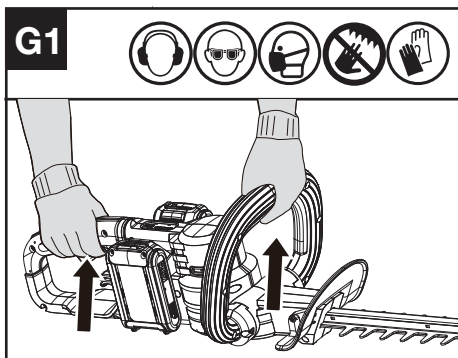
Parpadea una única luz con una frecuencia de cuatro veces por ciclo.

La máquina está sobrecargada. Retire la herramienta de la zona de corte e inténtelo de nuevo.

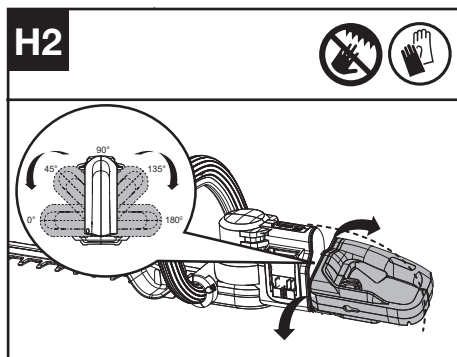
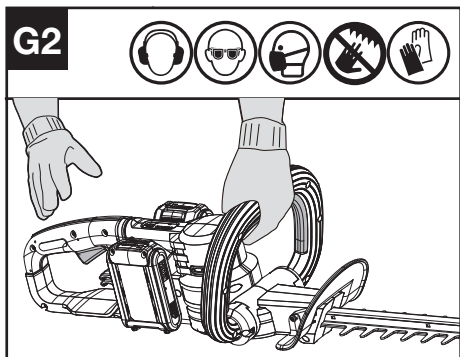
Extraiga la protección de la cuchilla (Ver Fig. F)



Puesta en marcha y parada (Ver Fig. G1, G2)

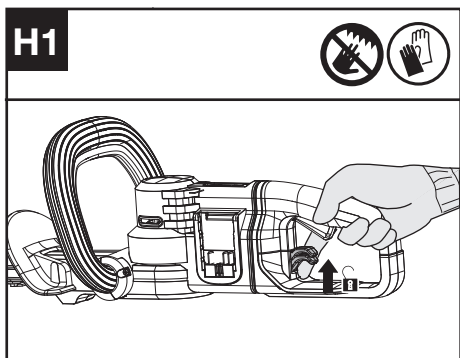




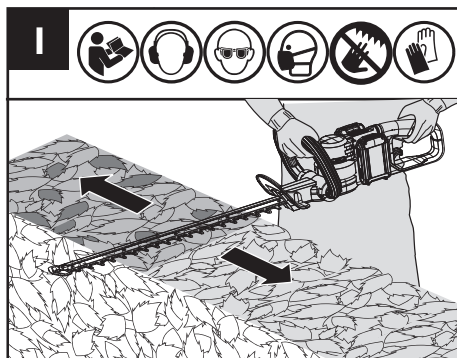


Empuñadura trasera giratoria (Ver Fig. H1, H2)

Altos cortes (Ver Fig. I)



**! ADVERTENCIA :** Si falta alguna pieza, o están dañadas o rotas, no utilice el cortasetos hasta que se hayan reparado o reemplazado todas las piezas defectuosas. Si no se respeta esta instrucción, alguien podría resultar herido de gravedad. ANTES DE PONER EN MARCHA SU APARATO, SIEMPRE INSTALAR EL PROTECTOR Y LA EMPUÑADURA DELANTERA.



**NOTA:**

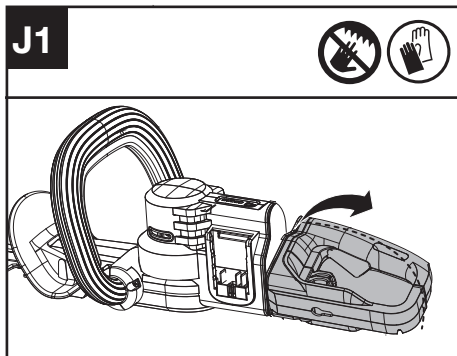
- Desbloquee el interruptor de bloqueo antes de empezar a girar.
- Cuando haya girado la empuñadura a la posición deseada, ajústela ligeramente hasta que se escuche un chasquido.

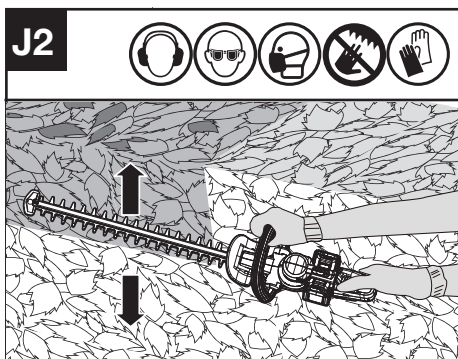
**! ¡ADVERTENCIA!**

- Compruebe siempre que la empuñadura esté bloqueada en la posición deseada antes de utilizar la herramienta.
- Compruebe siempre que el interruptor de bloqueo esté bloqueado correctamente antes de poner en marcha el cortasetos.
- No gire la empuñadura cuando el cortasetos esté en marcha.

Cortes verticales (Ver Fig. J1, J2)

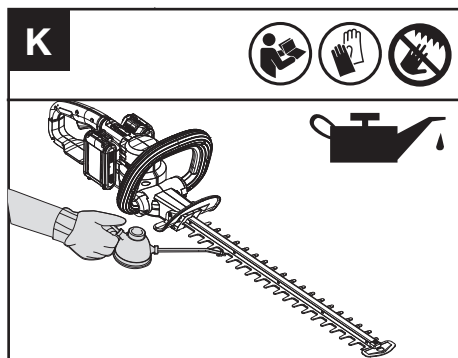
**ADVERTENCIA:** Antes de girar la empuñadura se debe detener el cortasetos.





Lubricar la cuchilla (Ver Fig. K)

**NOTA:** Para evitar posibles daños en la cuchilla, es muy importante que únicamente se utilice el aceite lubricante estándar recomendado (WD-40).



## CÓMO UTILIZAR SU RECORTADORA DE SETOS

Antes de cortar una zona, inspecciónela y retire cualquier objeto extraño que pudiera salir disparado o atascarse en las cuchillas. Sostenga siempre el cortasetos con ambas manos y con la cuchilla lo más alejada posible durante el arranque.

Para cortar ramas nuevas, mueva el cortasetos realizando barridos para que las ramas entren directamente en la cuchilla.

Deje que la cuchilla alcance su máxima velocidad antes de cortar. Durante el uso, mantenga las cuchillas alejadas de la gente y los objetos como paredes, piedras grandes, árboles, vehículos, etc. Si la cuchilla se atasca, detenga inmediatamente el cortasetos.

Suelte el gatillo de acelerador y el interruptor de presencia de operario antes de intentar limpiar restos atascados en las cuchillas de corte.

Utilice guantes para podar ramas espinosas o con

púas.

No intente cortar ramas demasiado gruesas para la cuchilla.

### Altos cortes

Haga un movimiento de gran amplitud en los 2 sentidos con su cortasetos. Una ligera inclinación de las cuchillas de arriba abajo que acompañe el movimiento dará una excelente calidad de corte.

### Cortes verticales

Para realizar cortes verticales, comience por la parte inferior del seto, corte subiendo y efectuando un corte cónico de la parte baja hacia arriba. Esta forma permite una mejor exposición del seto y un crecimiento más uniforme.

## MANTENIMIENTO

**Quite la batería antes de llevar a cabo cualquier ajuste o tarea de reparación o mantenimiento.**

No posee piezas en su interior que deban ser reparadas por el usuario. Nunca emplee agua o productos químicos para limpiar su herramienta. Use simplemente un paño seco. Guarde siempre su herramienta en un lugar seco. Mantenga limpias las ranuras de ventilación del motor. Mantenga todos los controles de funcionamiento libres de polvo.

## PARA LAS HERRAMIENTAS A BATERÍA

El rango de temperatura ambiente de funcionamiento y almacenamiento para la herramienta y la batería es de 0 °C-45 °C. El rango de temperatura ambiente recomendado para el Sistema de carga durante el proceso de carga es de 0 °C-40 °C.

## DATOS TÉCNICOS

**Modelo KG285 KG285.X (250-299-denominaciones de maquinaria, representantes de Cortasetos inalámbrico)**

	<b>KG285 KG285.X**</b>
Tensión	40V $\overline{\text{---}}$ MAX.(2x20V MAX.)***
Velocidad sin carga nominal	3400 /min
Longitud de la hoja	61 cm
Longitud de corte	58 cm
Espaciado de los dientes	33 mm

Diámetro máximo de corte	27 mm
Peso (Sin batería)	2.7 kg

\*\* X = 1-999, A-Z, M1-M9 solo se utilizan para diferentes clientes, no hay cambios relevantes seguros entre estos modelos.


\*\*\* Voltaje medido sin carga. El voltaje inicial máximo de la batería es de 20 voltios. El voltaje nominal es de 18 voltios.

## BATERÍAS Y CARGADORES RECOMENDADOS

Categoría	Tipo	Capacidad
20V Batería	KAB02	2.0 Ah
20V Cargador	KAC04	4.0 A

Recomendamos que adquiera todos sus accesorios en el mismo comercio donde compró la herramienta. Consulte los estuches de los accesorios para más detalles. El personal del comercio también puede ayudar y aconsejar.

## INFORMACIÓN DE RUIDO

Nivel de presión acústica de ponderación A	$L_{pA} = 84.65 \text{ dB(A)}$ $K_{pA} = 3 \text{ dB(A)}$
Nivel de potencia acústica de ponderación A	$L_{wA} = 95.65 \text{ dB(A)}$ $K_{wA} = 3 \text{ dB(A)}$
<b>Utilícese protección auditiva.</b>	

## INFORMACIÓN DE VIBRACIÓN

Los valores totales de vibración se determinan según la norma EN62841:

Valor de emisión de vibración  $a_h = 2.39 \text{ m/s}^2$

Incertidumbre  $K = 1.5 \text{ m/s}^2$

El valor total de vibraciones declarado y el valor de emisiones acústicas declarado se han medido de conformidad con un método de prueba estándar y pueden utilizarse para realizar comparaciones entre herramientas.

El valor total de vibraciones declarado y el valor de emisiones acústicas declarado también pueden utilizarse en una evaluación preliminar de la exposición.

**⚠ ADVERTENCIA:** Las vibraciones y las emisiones acústicas que se producen durante el uso de la herramienta eléctrica pueden variar respecto a los valores declarados en función de cómo se utilice la herramienta, especialmente dependiendo del tipo de pieza de trabajo que se procese y de otras formas de usar la herramienta: Cómo se utiliza la herramienta y se cortan o perforan los materiales.

Si la herramienta se encuentra en buenas condiciones de mantenimiento.

Si se utiliza el accesorio correcto para la herramienta y se garantiza que está afilado y en buenas condiciones.

La firmeza de sujeción de las empuñaduras, y el uso de accesorios para reducir las vibraciones y el ruido.

Y si la herramienta se utiliza según su diseño y estas instrucciones.

**Esta herramienta podría causar síndrome de vibración del brazo y la mano si no se utiliza correctamente.**

**⚠ ADVERTENCIA:** Para conseguir una mayor precisión, debe tenerse en cuenta una estimación del nivel de exposición en condiciones reales de todas las partes del ciclo de uso, como los tiempos durante los que la herramienta está apagado o cuando está en funcionamiento pero no está realizando ningún trabajo. Ello podría reducir notablemente el nivel de exposición sobre el período de carga total.

Minimización del riesgo de exposición a las vibraciones y el ruido.



Utilice SIEMPRE cinceles, brocas y cuchillas afiladas.

Mantenga esta herramienta de acuerdo con estas instrucciones y bien lubricada (si es necesario).

Si la herramienta se va a utilizar de forma habitual, se recomienda adquirir accesorios para reducir las vibraciones y el ruido.

Planifique su programa de trabajo para distribuir el uso de la herramienta a lo largo de varios días.

## PROTECCIÓN AMBIENTAL

 Los residuos de equipamientos eléctricos y electrónicos no deben depositarse con  las basuras domésticas. Se recogen para reciclarse en centros especializados. Consulte las autoridades locales o su distribuidor para obtener información sobre la organización de la recogida.

## DECLARACIÓN DE CONFORMIDAD

Nous,  
Positec Germany GmbH

Postfach 32 02 16, 50796 Cologne, Germany

En nombre de Positec declaran que el producto

Descripción **Cortasetos inalámbrico**

**Kress**

Modelo **KG285 KG285.X (250-299- denominaciones de maquinaria, representantes de Cortasetos inalámbrico)**

Función **Cortar setos y maleza**

Cumple con las siguientes Directivas,

**2006/42/EC**

**2014/30/EU**

**2011/65/EU&(EU)2015/863**

**2000/14/EC modificada por 2005/88/EC**

**2000/14/EC modificada por 2005/88/EC:**

- Procedimiento de evaluación de la conformidad de acuerdo con **Annex V**

- Nivel de presión acústica **95.65 dB(A)**

- Nivel de intensidad acústica **96 dB(A)**

Normativas conformes a,

**EN 62841-1**

**EN 62841-4-2**

**EN ISO 3744**

**EN 55014-1**

**EN 55014-2**

ES

La persona autorizada para componer el archivo técnico,

Firma

**Marcel Filz**

Dirección

**Positec Germany GmbH**

**Postfach 32 02 16, 50796 Cologne,**

**Germany**



2022/12/02

Allen Ding

Ingeniero Jefe Adjunto. Pruebas y Certificación.

Positec Technology (China) Co., Ltd

18, Dongwang Road, Suzhou Industrial

Park, Jiangsu 215123, P. R. China

# INHOUDSOPGAVE

INLEIDING.....	61
ONDERDELENLIJST .....	62
PRODUCTVEILIGHEIDALGEMENE .....	63
BEDIENINGSINSTRUCTIES .....	66
ONDERHOUD.....	70
TECHNISCHEGEGEVENS.....	70
BESCHERMING VAN HET MILIEU .....	71
CONFORMITEITVERKLARING.....	72

## INLEIDING

Beste klant,

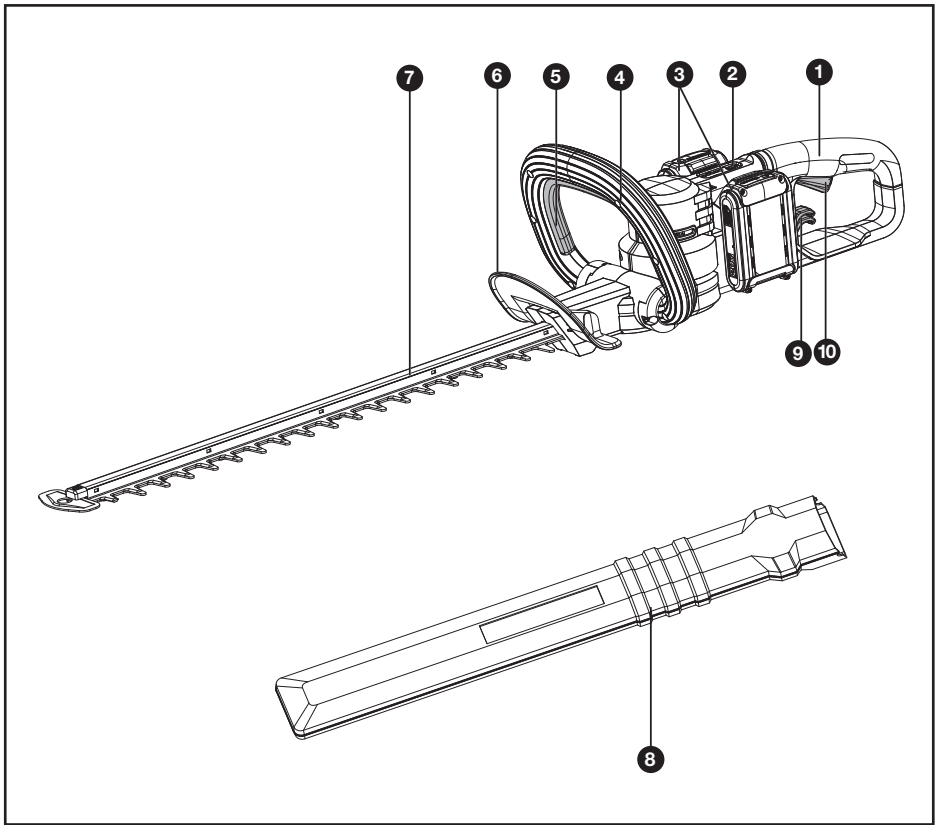
Dank u voor het kopen van dit Kress-product. Wij zijn toegewijd aan het ontwikkelen van producten van hoge kwaliteit om aan uw vereisten voor gazon & tuin te voldoen.

Het merk Kress staat synoniem voor service van topkwaliteit. Als u tijdens de levensduur van uw product vragen of zorgen hebt over uw product, neem dan contact op met uw plaats van aankoop of met onze Klantenservice voor ondersteuning.

Wij zijn ervan overtuigd dat u nog jarenlang plezier zult beleven aan het werken met uw Kress-product.

## GEBRUIK VOLGENS BESTEMMING

Het gereedschap is bestemd voor het knippen en snoeien van heggen en struiken in de tuinvoor particulier gebruik.



NL

## ONDERDELENLIJST

1.	<b>DRAAIBARE ACHTERSTE HENDEL</b>
2.	<b>ACCUWAARSCHUWINGSLAMPJE</b>
3.	<b>ACCUPACK*</b>
4.	<b>HANDVAT VOOR</b>
5.	<b>AANWEZIGHEIDSSCHAKELAAR (Volledige schakelaarfunctie)</b>
6.	<b>BESCHERMKAP</b>
7.	<b>SNIJBLAD</b>
8.	<b>BESCHERMKOKER</b>
9.	<b>DRAAIVERGREDELINGSKNOP</b>
10.	<b>GASHENDEL</b>
11.	<b>VERLENGKNOP* (Zie fig. E)</b>

\* Sommige afgebeelde of beschreven toebehoren worden niet meegeleverd.

# PRODUCTVEILIGHEID

## ALGEMENE

### VEILIGHEIDSWAARSCHUWINGEN

#### VOOR VERMOGENSMACHINE



**WAARSCHUWING:** Lees alle veiligheidswaarschuwingen, instructies, illustraties en specificaties die bij dit elektrisch gereedschap werden meegeleverd. *Het niet opvolgen van alle onderstaande voorschriften kan tot een elektrische schok, brand en/of ernstig persoonlijk letsel leiden.*

#### **Bewaar alle waarschuwingen en instructies voor latere naslag.**

*De term "(elektrisch) gereedschap" in de waarschuwingen hieronder, verwijst naar uw op netspanning werkende gereedschap (met stroomdraad) of uw accugereedschap (draadloos).*

#### **1) WERKGEBIED**

- a) Houd uw werkgebied schoon en zorg ervoor dat deze goed verlicht is.** *In rommelige en slecht verlichte werkgebieden gebeuren sneller ongelukken.*
- b) Gebruik elektrisch gereedschap niet in explosieve atmosferen, zoals in de nabijheid van ontvlambare vloeistoffen, gassen of stof.** *Elektrisch gereedschap veroorzaakt vonken die de stof of de gassen kunnen doen ontvlammen.*
- c) Houd kinderen en omstanders uit de buurt terwijl u met elektrisch gereedschap werkt.** *Afleidingen kunnen ervoor zorgen dat u de controle over het gereedschap verliest.*

#### **2) ELEKTRISCHE VEILIGHEID**

- a) De stekker van het elektrisch gereedschap moet passen in het stopcontact. Pas de stekker op geen enkele manier aan om te zorgen dat hij wel past. Gebruik geen adapterstekkers terwijl u geaard elektrisch gereedschap gebruikt.** *Onaangepaste stekkers die in het stopcontact passen, verminderen de kans op een elektrische schok.*
  - b) Vermijd lichamelijk contact met geaarde of gegronde oppervlakken, zoals buizen, radiatoren, fornuizen en koelkasten.** *Als uw lichaam geaard of gegronde is, is er een grotere kans op een elektrische schok.*
  - c) Stel uw elektrische gereedschap niet bloot aan regen of natte omstandigheden.** *Water dat elektrisch gereedschap kan binnendringen, vergroot de kans op een elektrische schok.*
  - d) Gebruik de stroomdraad niet op een andere manier dan waarvoor**
- deze gemaakt is. Trek niet aan de stroomdraad, ook niet om de stekker uit het stopcontact te krijgen en draag het gereedschap niet door het aan de stroomdraad vast te houden. Houd de stroomdraad uit de buurt van hitte, olie, scherpe hoeken en bewegende onderdelen. Beschadigde of verwarde stroomdraden vergroten de kans op een elektrische schok.*
- e) Wanneer u het elektrische gereedschap buitenshuis gebruikt, dient u te zorgen voor een verlengsnoer dat geschikt is voor gebruik buitenshuis.** *Het gebruik van een verlengsnoer dat geschikt is voor gebruik buitenshuis, vermindert de kans op een elektrische schok.*
  - f) Moet een krachtmachine in een vochtige locatie worden gebruikt, gebruik dan een aardlekschakelaar (ALS).** *Een ALS vermindert het gevaar op elektrische schokken.*

#### **3) PERSOONLIJKE VEILIGHEID**

- a) Blijf alert, kijk waar u mee bezig bent en gebruik uw gezonde verstand wanneer u met elektrisch gereedschap werkt. Gebruik geen elektrisch gereedschap wanneer u moe bent of onder de invloed van drugs, alcohol of medicijnen.** *Een moment van onoplettendheid bij het gebruik van elektrisch gereedschap kan leiden tot ernstig persoonlijk letsel.*
- b) Gebruik een veiligheidsuitrusting. Draag altijd oogbescherming.** *Een veiligheidsuitrusting, zoals een stofmasker, schoenen met antislipzolen, een veiligheidshelm, of oorbescherming die onder de juiste omstandigheden gebruikt wordt, vermindert de kans op persoonlijk letsel.*
- c) Pas op dat het apparaat niet onbedoeld wordt gestart. Zorg ervoor dat de schakelaar uit staat voordat u de voeding en/of batterij aansluit, en als u de machine oppakt en draagt.** *Gereedschap dragen terwijl u uw vinger op de schakelaar houdt, of de stekker in het stopcontact steken terwijl het gereedschap ingeschakeld staat, is vragen om ongelukken.*
- d) Verwijder inbussleutels of moersleutels voordat u het gereedschap inschakelt.** *Een sleutel die nog in of op een draaiend onderdeel van het elektrische gereedschap zit, kan leiden tot ernstig persoonlijk letsel.*
- e) Werk niet boven uw macht. Zorg er altijd voor dat u stevig staat en goed in balans bent.** *Hierdoor heft u betere controle over het gereedschap in onverwachte situaties.*
- f) Draag geschikte kleding. Draag geen loszittende kleding of sieraden. Houd uw haar en kleding uit de buurt van**

**bewegende onderdelen.** *Loszittende kleding, sieraden of lang haar kan vast komen te zitten in bewegende onderdelen.*

- g) Wanneer er apparaten worden bijgeleverd voor stofafzuiging en – opvang, zorg er dan voor dat deze aangesloten zijn en op de juiste manier gebruikt worden.** *Het gebruik van deze apparaten vermindert de gevaren die door stof kunnen ontstaan.*
- h) Als u gereedschap veelvuldig gebruikt, dan kan dit leiden tot het negeren van de veiligheidsprincipes, probeer dit te vermijden.** *Een achteloze actie kan binnen een fractie van een seconde leiden tot ernstig letsel.*

#### **4) GEBRUIK EN ONDERHOUD VAN ELEKTRISCH GEREEDSCHAP**

- a) Forceer het gereedschap niet. Gebruik gereedschap dat voor de toepassing geschikt is.** *Het gebruik van geschikt gereedschap levert beter werk af en werkt veiliger als het gebruikt wordt op de snelheid waar het voor ontworpen is.*
- b) Gebruik het gereedschap niet wanneer de aan/uitschakelaar niet functioneert.** *Gereedschap dat niet kan worden bediend met behulp van de schakelaar is gevaarlijk en dient te worden gerepareerd.*
- c) Neem de stekker uit het stopcontact en/of verwijder de batterij voordat u instellingen verandert, toebehoren vervangt of de machine opbergt.** *Deze preventieve veiligheidsmaatregelen verminderen de kans op het ongewild inschakelen van het gereedschap.*
- d) Berg gereedschap dat niet gebruikt wordt buiten het bereik van kinderen op en laat personen die niet bekend zijn met het gereedschap of met deze veiligheidsinstructies het gereedschap niet bedienen.** *Elektrisch gereedschap kan in de handen van ongetrainde gebruikers gevaarlijk zijn.*
- e) Onderhoud elektrisch gereedschap op de juiste wijze. Controleer of bewegende onderdelen nog goed uitgelijnd staan, of ze niet ergens vastzitten en controleer op elke andere omstandigheid die ervoor kan zorgen dat het gereedschap niet goed functioneert. Wanneer het gereedschap beschadigd is, dient u het te repareren voordat u het in gebruik neemt.** *Veel ongelukken worden veroorzaakt door slecht onderhouden elektrisch gereedschap.*
- f) Houd snijdend gereedschap schoon en scherp.** *Goed onderhouden snijdend gereedschap met scherpe zaagbladen/messen zal minder snel vastlopen en is makkelijker te bedienen.*
- g) Gebruik het gereedschap, de accessoires, de bitjes, enz. in**

**overeenstemming met deze instructies en op de manier zoals bedoeld voor het specifieke type elektrisch gereedschap, rekening houdend met de werkomstandigheden en het uit te voeren werk.** *Het gereedschap gebruiken voor andere doeleinden dan waar deze voor ontworpen is, kan gevaarlijke situaties opleveren.*

- g) Houd de handgrepen en grijppoppervlakten droog, schoon en vrij van olie en smeermiddel.** *Glibberige handgrepen en grijppoppervlakten laten geen veilige hantering toe, en zorgen ervoor dat u geen controle hebt over het gereedschap in onverwachte omstandigheden.*
- 5) GEBRUIK EN ONDERHOUD VAN ACCUGEREEDSCHAP**
- a) Laad het accupack alleen op met de door de fabrikant aangegeven oplader.** *Een oplader die geschikt is voor het ene type accupack, kan brand veroorzaken wanneer die gebruikt wordt voor een ander type accupack.*
- b) Gebruik het gereedschap uitsluitend met het aangegeven accupack.** *Door het gebruik van andere accupacks ontstaat de kans op letsel of brand.*
- c) Wanneer het accupack niet gebruikt wordt, dient u het uit de buurt te houden van metalen voorwerpen, zoals paperclips, munten, sleutels, spijkers, schroeven of andere kleine metalen voorwerpen die een verbinding kunnen maken tussen de contactpunten van de terminal.** *Het kortsluiten van de accu terminals kan zorgen voor brandwonden of brand.*
- d) Onder extreme omstandigheden kan er vloeistof uit de accu lopen; raak deze vloeistof niet aan. Wanneer u toch overhoopt met de vloeistof in aanraking komt, dient u dit onmiddellijk af te spoelen met water.** *Wanneer de vloeistof in de ogen komt, dient u zo snel mogelijk een arts te raadplegen. Vloeistof die afkomstig is uit de accu kan irritatie of brandwonden veroorzaken.*
- e) Gebruik geen accu of gereedschap dat beschadigd of aangepast is.** *Beschadigde of aangepaste accu's kunnen onvoorspelbaar reageren, wat kan leiden tot brand, explosie of het veroorzaken van letsel.*
- f) Stel een accu of gereedschap niet bloot aan vuur of extreme temperatuur.** *Blootstelling aan brand of een temperatuur boven 130 °C kan explosie veroorzaken.*
- g) Volg alle instructies en laad de accu of het gereedschap niet op buiten het temperatuurbereik dat vermeld is in de handleiding.** *Onjuist opladen of opladen bij temperaturen buiten het aangegeven bereik kan de accu beschadigen en het risico op brand vergroten.*



## 6) SERVICE

- a) **Laat uw elektrisch gereedschap repareren door een bevoegde reparateur die alleen originele reserveonderdelen gebruikt.** *Zo bent u er zeker van dat uw gereedschap veilig blijft.*
- b) **Repareer nooit beschadigde accu's.** *Reparatie van accu's mag alleen worden uitgevoerd door de fabrikant of geautoriseerde onderhoudstechnici.*

## BELANGRIJKE EXTRA VEILIGHEIDSRICHTLIJNEN VOOR UW DRAADLOZE HEGGENSCHAAR

- a) **Houd alle lichaamsdelen uit de buurt van het snijblad. Verwijder het materiaal niet en houd het niet vast terwijl het snijblad in beweging is.** *De snijbladen blijven na het uitschakelen van de schakelaar draaien. Een ogenblik van onoplettendheid bij het gebruik van de heggenschaar kan ernstig persoonlijk letsel tot gevolg hebben.*
- b) **Draag de heggenschaar aan het handvat met een stilstaand snijblad en gebruik de aan/uit-schakelaar niet.** *Door de heggenschaar met zorg te behandelen vermindert u de kans op letsel door het snijblad.*
- c) **Breng altijd de snijbladhoes wanneer u de heggenschaar transporteert of opbergt.** *Een juiste hantering van de heggenschaar beperkt de kans op persoonlijk letsel dat door de snijbladen wordt veroorzaakt.*
- d) **Tijdens het verwijderen van vastzittend materiaal of het onderhouden van het gereedschap, zorg dat alle aan/uitschakelaars op 'uit' zijn ingesteld en de accu verwijderd of ontkoppeld is.** *Een onverwachte activering van de heggenschaar tijdens het verwijderen van vastzittend materiaal of onderhouden van het gereedschap kan ernstig persoonlijk letsel veroorzaken.*
- e) **Houd het gereedschap vast bij de geïsoleerde handvatten als u een actie onderneemt waarbij het priemende gereedschap in contact kan komen met verborgen kabels.** *Contact met een kabel waar spanning op staat zet tevens spanning op metalen onderdelen van het apparaat en geeft de gebruiker een schok.*
- f) **Houd alle snoeren en kabels uit de buurt van het zaaggebied.** *Tijdens de werking kunnen de snoeren of kabels verborgen zijn in de hagen of heesters en kunnen ze per ongeluk worden doorgesneden.*
- g) **Gebruik de heggenschaar niet tijdens slechte weersomstandigheden, in het bijzonder wanneer er kans op bliksem is.** *Dit verlaagt het risico op een blikseminslag.*

- h) **Controleer of er geen vreemde voorwerpen in de haag zitten, bijvoorbeeld afsluiting en verborgen bedrading.**
- i) **Houd de heggenschaar juist vast, bijv. met beide handen als er twee handgrepen voorzien zijn.**
- j) **De heggenschaar is bestemd om te worden gebruikt door de bediener op de grond en niet op een ladder of een onstabiele steun.**
- k) **Alvorens de heggenschaar te gebruiken, moet de gebruiker ervoor zorgen dat de vergrendelinrichting(en) van de bewegende elementen (bijv. de uitschuifbare schacht en draaiend element), indien aanwezig, zich in de vergrendelende positie bevinden.**
- l) **Onderhoud de verstelbare stopmechanismen regelmatig.**

## VEILIGHEIDSinSTRUCTIES VOOR HET ACCUPACK

- a) **Batterijcellen en accupacks mogen niet gedemonteerd, geopend of vernietigd worden.**
- b) **Sluit accupacks niet kort. Bewaar accupacks niet willekeurig in een doos of lade waar ze elkaar kunnen kortsluiten of door geleidende voorwerpen kortgesloten kunnen worden.** *Houd het accupack op een afstand van andere metalen voorwerpen als paperclips, muntstukken, sleutels, nagels, schroeven en andere kleine metalen voorwerpen die de contacten van de accupack kunnen verbinden. Kortgesloten contacten van accupacks kunnen brandwonden of brand veroorzaken.*
- c) **Stel accupacks niet bloot aan warmte of vuur. Vermijd opslag in direct zonlicht.**
- d) **Stel accupacks niet bloot aan mechanische schokken.**
- e) **Als een accu lekt dient men voorzichtig te zijn dat de vloeistof niet in contact komt met de huid of de ogen. Als dat toch gebeurt spoelt men de huid onder stromend water en raadpleegt men een arts.**
- f) **Houd batterijcellen en accupacks schoon en droog.**
- g) **Veeg de aansluitingen van het accupack schoon met een droge doek als ze vuil zijn geworden.**
- h) **Accupacks moeten voor gebruik worden opgeladen. Lees de gebruiksaanwijzing voor de juiste laad instructies.**
- i) **Laat accupacks niet langdurig opladen als ze niet worden gebruikt.**
- j) **Na een lange opslagperiode kan het**

**nodig zijn het accupack enkele keren op te laden en te ontladen voor een optimale prestatie.**

- k) Laad alleen op met een lader met de technische gegevens van Kress. Gebruik geen andere lader dan de lader die specifiek voor dat doel met de apparatuur is meegeleverd.**
- l) Gebruikt geen accupack dat niet bedoeld is voor gebruik met deze apparatuur.**
- m) Houd accupacks buiten het bereik van kinderen.**
- n) Bewaar de oorspronkelijke instructies van het product voor latere gebruik.**
- o) Verwijder het batterijpakket uit de apparatuur als het niet in gebruik is.**
- p) Volg de juiste procedure voor afvalverwijdering na afdanken van dit apparaat.**
- q) Gebruik geen cellen van verschillende fabrikanten, capaciteit, afmetingen of typen binnen een apparaat.**
- r) Houd de accu uit de buurt van microgolven en hoge druk.**

	Accu's kunnen in de waterkringloop terecht komen als ze op onjuiste wijze worden weggegooid, wat gevaarlijk kan zijn voor het ecosysteem. Gooi afgedankte accu's niet weg bij het ongesorteerde huishoudelijke afval.
 Li-Ion	Li-Ion-accu Dit product is uitgerust met een symbool dat 'gescheiden inzameling' aanduidt voor alle accu's. Ze worden dan gerecycled of gedemonteerd om de impact op het milieu te verminderen. Accu's kunnen gevaarlijk zijn voor het milieu en de menselijke gezondheid, omdat ze gevaarlijke stoffen bevatten.
	Zorg dat uw handen niet geklemd raken
	Verwijder de batterij voordat u instellingen, reparaties of onderhoud uitvoert.
	Draag beschermende handschoenen
	Afgedankte elektrische producten mogen niet bij het normale huisafval terecht komen. Breng deze producten waar mogelijk naar een recyclecentrum bij u in de buurt. Vraag de verkoper of de gemeente informatie en advies over het recyclen van elektrische apparatuur.

## SYMBOLLEN

	Om het risico op letsels te beperken, moet u de gebruikershandleiding lezen
	Waarschuwing!
	Draag oorbescherming
	Draag oogbescherming
	Draag stofmasker
	Niet blootstellen aan regen
	Niet in brand steken

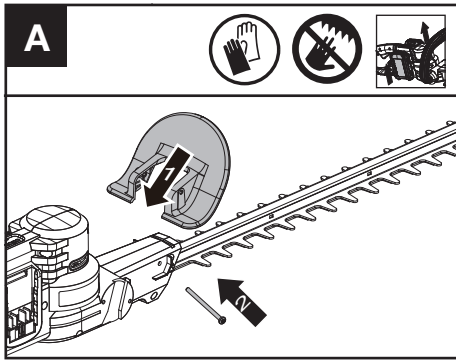
## BEDIENINGSINSTRUCTIES

 **OPMERKING** : Lees het instructieboekje aandachtig voor gebruik van het gereedschap.

 **WAARSCHUWING** : gebruik het gereedschap niet zonder dat de beschermkap gemonteerd is en handvat voor.

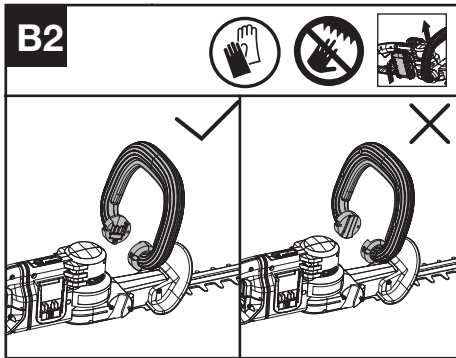
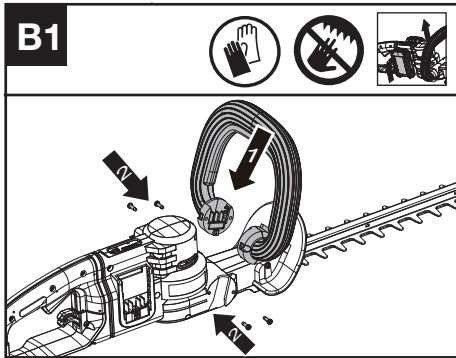
### ASSEMBLAGE EN BEDIENING VOORDAT U DE DRAADLOZE HEGGENSCHAAR GEBRUIKT

Montage van de beschermkap (Zie Fig. A)



Montage handgreep vooran (Zie Fig. B1, B2)

**OPMERKING:** De hendel is ontworpen om niet in de foutieve richting gemonteerd te kunnen worden. Als u hem niet kunt monteren, draai hem dan rond.

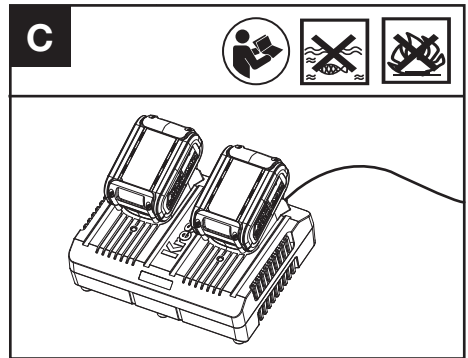


Laden van het accupack (Zie Fig. C)

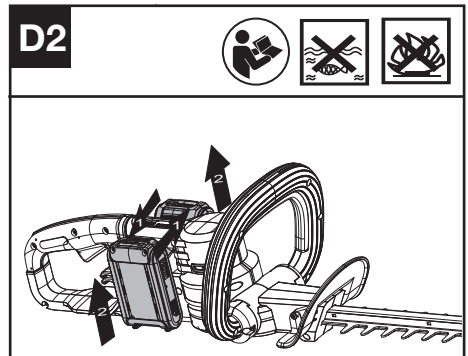
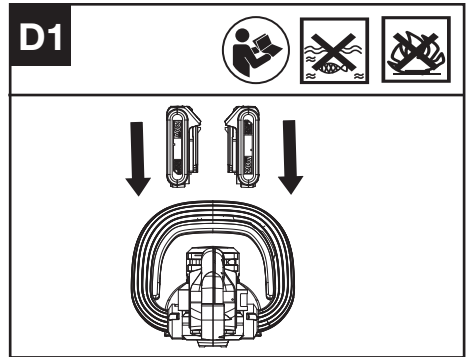
**OPMERKING:**

- Het accupack is NIET opgeladen. Deze moet u dus voor gebruik opladen.
- Laad de twee accu's altijd op hetzelfde moment op. U vindt meer gedetailleerde informatie in de handleiding voor het

laadapparaat.



Het accupack verwijderen of plaatsen (Zie Fig. D1, D2)



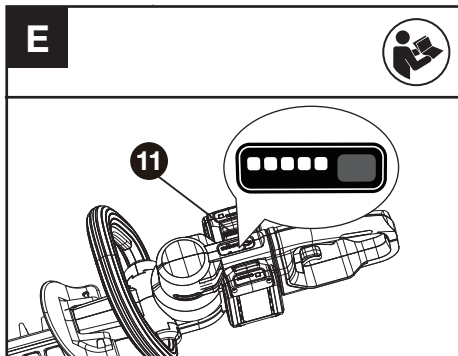
**OPMERKING:**

- Dit apparaat draait alleen als er twee accu's zijn geplaatst. Gebruik altijd dezelfde twee accu's en laad de twee accu's op hetzelfde moment op.
- Als u twee accu's met verschillend vermogen gebruikt, zal de machine alleen draaien volgens de laagste gemeenschappelijke noemer.

## BEDIENING

### Accuwaarschuingslampje (Zie Fig. E)

#### Zie bijzonderheden in het gedeelte ACCUSTATUS



#### BEANGRIJK

Als slechts één licht brandt, dan is de accu te ver ontladen, zelfs al kan er nog gras gemaaid worden. Gaat u verder met grasmaaien terwijl de accu in deze toestand is, dan vermindert u de levensduur en de prestaties van de accu.

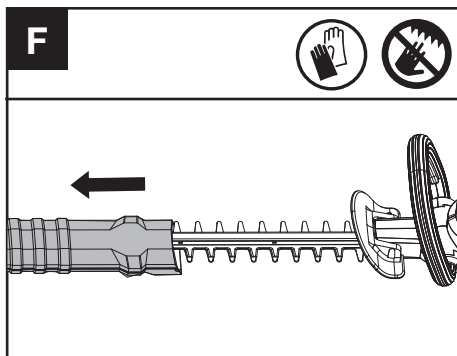
Als er geen enkel lampje brandt is minstens één lampje niet geheel geïnstalleerd of defect, controleer dan of de accu's goed zijn geplaatst.

- Druk vóórdat u start of na gebruik de knop in naast het vermogensindicatielampje op de machine om de accucapaciteit te controleren.
- De accucapaciteit zal automatisch door de accuvermogensindicator worden aangegeven. De indicator controleert en toont de accutoestand als volgt.
- Voor een machine met 2 accupacks met verschillend vermogen toont het vermogensindicatielampje de accutoestand van de accu die het minste vermogen bevat.

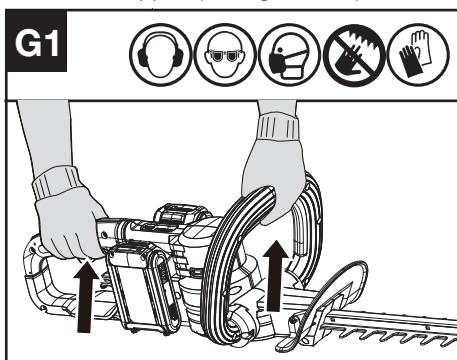
Indicatie voor de status van het accuvermogen	Accustatus
Vijf groene lampjes (  ) branden.	De twee accu's zijn geheel opgeladen.
Twee, drie of vier groen lampjes branden.	De twee accu's hebben restvermogen. Hoe meer lampjes oplichten, hoe meer accuvermogen.
Er brandt maar één groen lampje (  ).	Minstens één accu is leeg en moet worden opgeladen.
Er brandt geen enkel lampje.	Minstens één accu is niet geheel geïnstalleerd of de accu is defect.

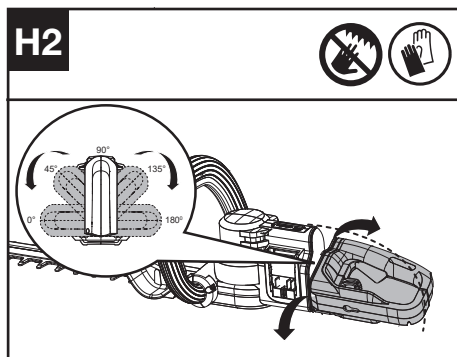
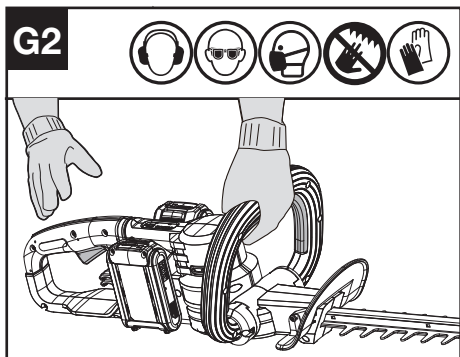
Er brandt maar één lampje tweemaal per cyclus.	Tenminste één accu is te ver ontladen (raadpleeg de oplaadstatus van de accu). Laad de twee accu's tegelijk op voordat u ze opnieuw gebruikt of opslaat.
Er brandt maar één lampje driemaal per cyclus.	Minstens één accu is heet. Wacht totdat hij is afgekoeld, voordat u opnieuw opstart.
Er brandt maar één lampje viermaal per cyclus.	Het apparaat is overbelast. Haal het apparaat uit het snoeigebied en probeer het nog eens.

Verwijder de beschermkoker (Zie Fig. F)

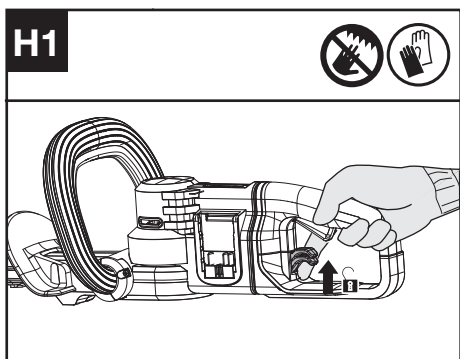


Starten & Stoppen (Zie Fig. G1, G2)





Draaibare achterste hendel (Zie Fig. H1, H2)



**OPMERKING:**

- Ontgrendel de vergrendelingsknop voor draaien
- Na draaien van de hendel in de gewenste positie moet u doordrukken totdat u een klik hoort.



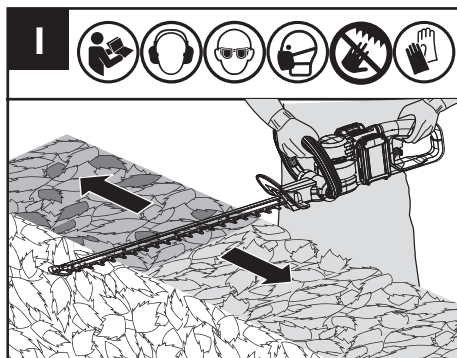
**WAARSCHUWING :**

- **Zorg er altijd voor dat de hendel vergrendeld is in de gewenste positie, voordat u het apparaat gaat gebruiken.**
- **Zorg er altijd voor dat de vergrendelingsknop vergrendeld is voordat u de heggenschaar gaat gebruiken.**
- **Draai de hendel niet als de trimmer gebruikt wordt.**

De bovenkant snoeien (Zie Fig. I)

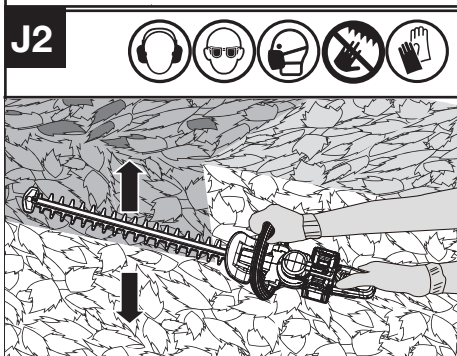
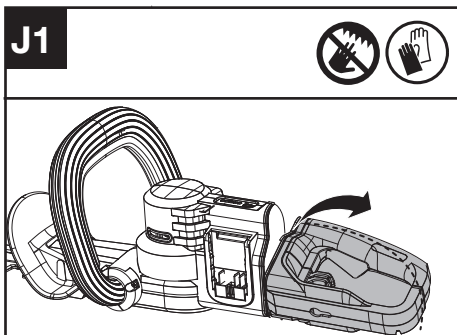


**WAARSCHUWING :** Als er onderdelen ontbreken, beschadigd of defect zijn, gebruik uw heggenschaar dan niet, voordat alle beschadigde onderdelen vervangen of gerepareerd zijn. Als hieraan niet voldaan wordt, kan ernstig lichamelijk letsel het gevolg zijn. Gebruik het gereedschap niet zonder dat de beschermkap gemonteerd is en handvat voor.



De zijkant snoeien (Zie Fig. J1, J2)

**WAARSCHUWING:** Stop het gebruik van de trimmer, vóórdat u de hendel draait.



met het slijfblad van u weg gericht voordat u het gereedschap inschakelt.  
 Wanneer u nieuwe bladeren snoeit, dient u een brede zwaaiende beweging te gebruiken, zodat de stammen direct in het mes terechtkomen.  
 Wacht tot de slijfbladen hun volle snelheid hebben bereikt voordat u het snoeien start. Houd de slijfbladen tijdens het gebruik weg van mensen en objecten zoals muren, grote stenen, bomen, voertuigen, enz.  
 Als de messen blijven hangen, dient u de heggenschaar onmiddellijk te stoppen.  
 Laat de gashendel en de aanwezigheidsschakelaar los voordat u probeert om vastzittende voorwerpen uit de messen te verwijderen.  
 Draag handschoenen wanneer u planten met doorns snoeit.

Probeer geen stammen te snoeien die te dik zijn om tussen de messen te passen.

**De bovenkant snoeien**

Snoei met een zwaaiende beweging. Het geeft het beste resultaat als u de messen iets naar beneden houdt in de richting van de beweging.

**De zijkant snoeien**

Bij het snoeien van de zijkant van een heg, begint u onderaan en werkt u naar boven toe, terwijl u ervoor zorgt dat de heg een beetje spits toeloopt naarmate u hoger komt. Hierdoor wordt er meer van de heg zichtbaar en zal de begroeiing beter verdeeld zijn.

**ONDERHOUD**

**Verwijder de batterij voordat u instellingen, reparaties of onderhoud uitvoert.**

Dit gereedschap bevat geen onderdelen waaraan de gebruiker onderhoud kan of moet uitvoeren. Gebruik nooit water of chemische reinigingsmiddelen voor het schoonmaken van uw elektrische gereedschap. Veeg het schoon met een droge doek. Bewaar uw elektrische gereedschap altijd op een droge plek. Houd de ventilatiegaten van de motor schoon. Houd alle bedieningselementen vrij van stof.

**VOOR GEREEDSCHAP MET ACCU'S**

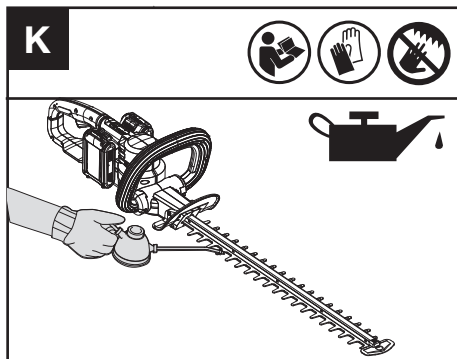
De omgevingstemperatuur voor het gebruik en de opslag van het gereedschap ligt tussen 0 °C-45 °C.  
 De aanbevolen omgevingstemperatuur voor het oplaadsysteem tijdens het opladen ligt tussen 0 °C-40 °C.

**TECHNISCHE GEGEVENS**

**Type KG285 KG285.X (250-299-aanduiding van machinerie, kenmerkend**

De messen smeren (Zie Fig. K)


**OPMERKING:** Het is belangrijk om alleen de aanbevolen standaardolie te gebruiken (WD-40), om schade aan het blad te voorkomen.



**DE HEGGENSCHAAR GEBRUIKEN**

Voordat u een gebied snoeit, moet u het eerst inspecteren en vreemde objecten verwijderen die in de slijfbladen kunnen vallen of verstrikken. Houd de heggenschaar altijd met beide handen vast en

## van Draadloze Heggenschaar)

	<b>KG285 KG285.X**</b>
Spanning	40V  MAX(2x20V MAX.)***
Snelheid onbelast	3400 /min
Lemmetlengte	61 cm
Snijlengte	58 cm
Tandafstand	33 mm
Maximale snijdiameter	27 mm
Gewicht machine (Kaal gereedschap)	2.7 kg

\*\* X = 1-999, A-Z, M1-M9 zijn alleen voor verschillende klanten, er zijn geen veiligheidsgerelateerde wijzigingen tussen deze modellen.

\*\*\* Spanning gemeten zonder belasting. Beginspanning batterij bereikt maximum 20 volt. Nominale spanning is 18 volt.

## JAVASOLT AKKUMULÁTOROK ÉS TÖLTŐK

Categorie	Typ	Hoedatigheid
20V Accu	KAB02	2.0 Ah
20V Lader	KAC04	4.0 A

Wij adviseren u alle accessoires te kopen in de winkel waar u het gereedschap heeft gekocht. Kijk op de verpakking van het accessoire voor meer informatie. Ook het winkelpersoneel kan u helpen en adviseren.

## GELUIDSPRODUCTIE

A-gewogen geluidsdruk	$L_{pA} = 84.65 \text{ dB(A)}$ $K_{pA} = 3 \text{ dB(A)}$
A-gewogen geluidsvermogen	$L_{wA} = 95.65 \text{ dB(A)}$ $K_{wA} = 3 \text{ dB(A)}$
<b>Draag oorbescherming</b>	

## TRILLINGSGEGEVENS

Totale trillingswaarden (triax vector-som) volgens EN 62841:

Trillingsemisiewaarde  $a_n = 2.39 \text{ m/s}^2$

Onzekerheid  $K = 1.5 \text{ m/s}^2$

De totale waarde van trillingen en geluidsemisie

werden gemeten volgens een standaard testmethode en kunnen worden gebruikt om gereedschappen te vergelijken.

De totale waarde van trillingen en geluidsemisie kunnen ook voor een voorlopige beoordeling van de blootstelling worden gebruikt.

**WAARSCHUWING:** Trillingen en geluidsemisie die tijdens het gebruik van het gereedschap optreden, kunnen verschillen van de opgegeven waarde, dit is afhankelijk van de manier waarop het gereedschap wordt gebruikt, met name van het werkstuk dat wordt bewerkt, afhankelijk van de volgende voorbeelden en andere variaties in de manier waarop het gereedschap wordt gebruikt:

Hoe de machine gebruikt wordt en hoe het materiaal gesneden of geboord wordt. De conditie en de onderhoudstoestand van de machine.

Gebruik van de juiste toebehoren. Zorg ervoor dat ze scherp zijn en in goede conditie.

Hoe stevig de handgreep wordt vastgehouden en of er anti-trilling en -geluidsaccessoires worden gebruikt.

De machine moet gebruik worden zoals door de ontwerper bedoeld is en in overeenstemming met deze instructies.

**Deze machine kan een trillingssyndroom in hand en arm veroorzaken als hij niet op de juiste wijze gehanteerd wordt.**

**WAARSCHUWING:** Voor de nauwkeurigheid moet bij een schatting van het blootstellingsniveau in de feitelijke gebruiksomstandigheden rekening worden gehouden met alle delen van de bewerking, zoals het moment dat de machine wordt uitgeschakeld en de tijden waarop de machine loopt zonder daadwerkelijk gebruikt te worden. Dit kan het blootstellingsniveau over de totale werkperiode aanzienlijk verminderen.


Het risico op blootstelling aan trillingen en geluid verminderen.

Gebruik ALTIJD scherpe beitels, boren en zaagbladen.

Onderhoud de machine volgens deze instructies en houd hem goed gesmeerd (voor zover van toepassing).

Als het gereedschap regelmatig wordt gebruikt, investeer dan in anti-trilling en -geluidsaccessoires. Plan de werkzaamheden zodat de taken met veel trillingen over een aantal dagen verspreid worden.

## BESCHERMING VAN HET MILIEU

 Afgedankte elektrische producten kunt u niet met het normale huisafval weggooien. Breng deze producten, indien mogelijk, naar een recyclecentrum bij u in de buurt. Vraag de verkoper of de gemeente naar informatie en advies over het

recyclen van elektrische producten.

## CONFORMITEITVERKLARING

Wij,  
Positec Germany GmbH  
Postfach 32 02 16, 50796 Cologne, Germany

Namens Positec verklaar ik dat het product  
Beschrijving: **Kress Draadloze  
Heggenschaar**  
Type **KG285 KG285.X (250-299-  
aanduiding van machinerie, kenmerkend  
van Draadloze Heggenschaar)**  
Functie **Snoeien van heggen en struiken**

Overeenkomt met de volgende richtlijnen,  
**2006/42/EC**  
**2014/30/EU**  
**2011/65/EU&(EU)2015/863**  
**2000/14/EC gewijzigd door 2005/88/EC**

2000/14/EC gewijzigd door 2005/88/EC:  
- Procedure beoordeling conformiteit volgens  
**Annex V**  
- Niveau gemeten geluidsvermogen **95.65  
dB(A)**  
- Opgegeven, gegarandeerde niveau  
geluidsvermogen **96 dB(A)**

NL

Standaards in overeenstemming met,  
**EN 62841-1**  
**EN 62841-4-2**  
**EN ISO 3744**  
**EN 55014-1**  
**EN 55014-2**

De persoon die bevoegd is om het technische  
bestand te compileren,  
Naam **Marcel Filz**  
Adres **Positec Germany GmbH**  
**Postfach 32 02 16, 50796 Cologne,**  
**Germany**



2022/12/02  
Allen Ding  
Plaatsvervangend Chief Ingenieur,  
Testen en Certificering  
Positec Technology (China) Co., Ltd  
18, Dongwang Road, Suzhou Industrial  
Park, Jiangsu 215123, P. R. China



# INDHOLDSFORTEGNELSE

INTRODUKTION.....	73
KOMPONENTLISTE .....	74
PRODUKTSIKKERHED .....	75
BETJENINGSVEJLEDNING .....	78
VEDLIGEHOLDELSE .....	80
TEKNISK DATA .....	80
MILJØBESKYTTELSE .....	81
KONFORMITETSERKLÆRING .....	81

## INTRODUKTION

Kære kunde,

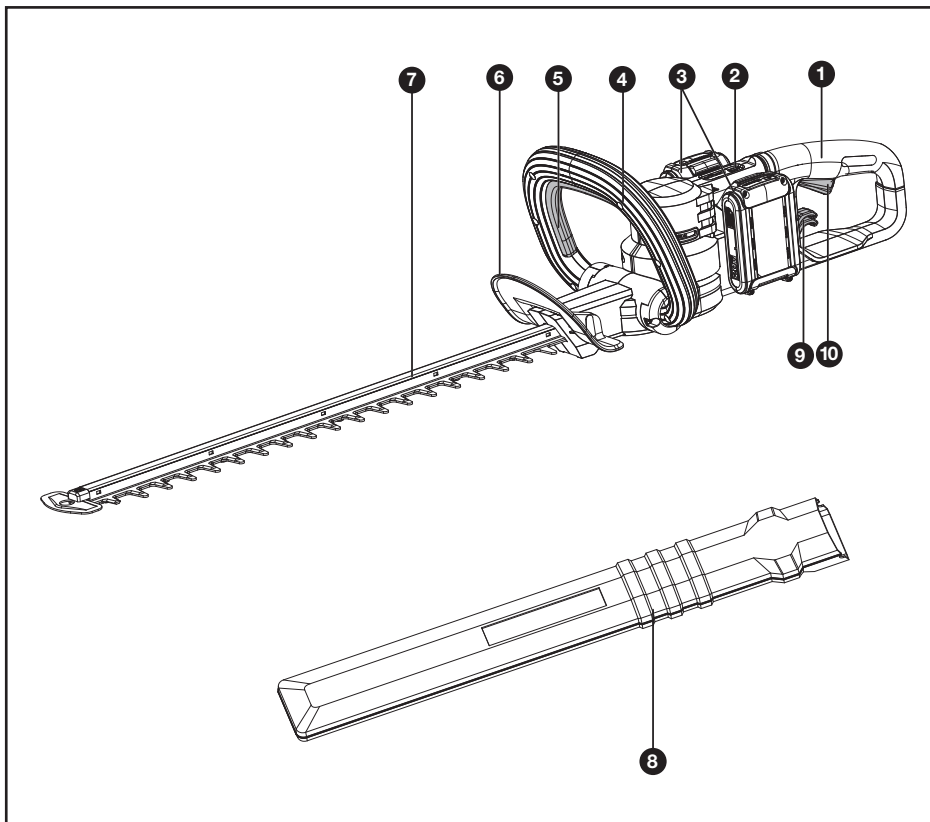
Tak, fordi du købte dette Kress-produkt. Vi har specialiseret os i at udvikle produkter af høj kvalitet, der dækker dine krav til din plæne og din have.

Kress-mærket står for service af førsteklasses kvalitet. Bed din lokale sælger eller vores kundeserviceteam om hjælp, hvis du har spørgsmål om eller problemer med produktet i dets levetid.

Vi er overbeviste om, at du vil nyde at bruge dit Kress-produkt i de kommende år.

## BEREGNET ANVENDELSE

Maskinen er beregnet til at klippe og studse hække og buske i almindelige haver og kolonihaver.



DK

## KOMPONENTLISTE

1.	<b>ROTERENDE BAGGREB</b>
2.	<b>LYS TIL STRØMINDIKATOR</b>
3.	<b>BATTERIENHED*</b>
4.	<b>FORHÅNDSKAP</b>
5.	<b>KONTAKT TIL REGISTRERING AF OPERATØRTILSTEDEVÆRELSE (KAN SKIFTE HELE VEJEN RUNDT)</b>
6.	<b>SIKKERHEDSSKÆRM</b>
7.	<b>BLAD</b>
8.	<b>BLADHYLSTER</b>
9.	<b>LÅSEKNAP TIL ROTATION</b>
10.	<b>HASTIGHEDSREGULERING</b>
11.	<b>UDLØSERKNAPPER TIL BATTERIENHEDEN * (SE FIG. E)</b>

\* Illustreret eller beskrevet tilbehør er kun delvis indeholdt i leverancen.

# PRODUKTSIKKERHED GENERELLE ADVARSLER I FORBINDELSE MED MASKINVÆRKTØJ



**ADVARSEL: Læs alle sikkerhedsadvarsler, instruktioner, illustrationer og specifikationer, som følger med el-værktøjet. I tilfælde af manglende overholdelse af anvisningerne nedenfor er der risiko for elektrisk stød, brand og/eller alvorlige personskader.**

**Gem alle advarsler og instruktioner for fremtidig reference.**

Udtrykket "elværktøj" i nedenstående advarsler henviser til dit eldrevne (med ledning) eller batteridrevne (uden ledning) værktøj.

## 1) ARBEJDSOMRÅDE

- a) Sørg for, at arbejdsområdet er rent og godt oplyst. Rodede arbejdsområder kan forårsage personskade.
- b) Anvend ikke elværktøj i eksplosive atmosfærer, f.eks. i nærheden af brændbare væsker, gasser eller støv. Elværktøj frembringer gnister, der kan antænde støv eller dampe.
- c) Hold børn og tilskuere på afstand, når elværktøjet bruges. Hvis du bliver distraheret, kan du miste kontrollen over værktøjet.

## 2) ELSIKKERHED

- a) Elværktøjets stik skal svare til stikkontakten. Du må ikke ændre stikket på nogen måde. Brug ikke adapterstik til elværktøj med jordforbindelse. Hvis du bruger uændrede stik og stikkontakter, der passer til stikkene, mindskes risikoen for elektrisk stød.
- b) Undgå at røre ved overflader med jordforbindelse, f.eks. rør, radiatorer, komfurer og køleskabe. Risikoen for elektrisk stød øges, hvis din krop får jordforbindelse.
- c) Brug ikke elværktøj i våde eller fugtige omgivelser. Hvis der trænger vand ind i elværktøjet, øges risikoen for elektrisk stød.
- d) Undgå at udsætte ledningen for overlast. Bær ikke værktøjet i ledningen, og træk ikke i ledningen, når du tager stikket ud af stikkontakten. Hold ledningen væk fra varme, olie, skarpe kanter og bevægelige dele. Beskadigede eller filtrerede ledninger øger risikoen for elektrisk stød.
- e) Brug altid forlængerledninger til udendørs brug, når du anvender værktøjet udendørs. Risikoen for elektrisk

stød mindskes, hvis forlængerledningen er egnet til udendørs brug.

- f) Hvis det elektriske værktøj anvendes i fugtige omgivelser, skal der ubetinget anvendes en strømforsyning, der er beskyttet mod reststrøm. Det mindsker risikoen for elektriske stød.

## 3) PERSONLIG SIKKERHED

- a) Vær opmærksom, hold altid øje med værktøjet, og brug din sunde fornuft ved brug af elværktøjet. Brug ikke elværktøjet, hvis du er træt eller påvirket af narkotika, alkohol eller medicin. Et øjeblikks koncentrationssvigt ved brug af elværktøj kan medføre alvorlig personskade.
  - b) Brug beskyttelsesudstyr. Brug altid sikkerhedsbriller. Sikkerhedsudstyr som støvmaske, skridsikre sikkerhedssko, sikkerhedshjelm eller høreværn mindsker risikoen for personskade.
  - c) Undgå at starte tilsigtet. Kontroller, at kontakten står i stillingen OFF, inden udstyret tilsluttes en strømkilde og/eller batteripakke, samles op eller transporteres. Hvis du bærer elværktøj med fingeren på afbryderen eller sætter stikket i stikkontakten, mens afbryderen er tændt, er der risiko for ulykker.
  - d) Fjern justeringsnøgler og lignende fra elværktøjet, før du tænder det. Justeringsnøgler, der sidder på elværktøjets roterende dele, kan resultere i personskade.
  - e) Undgå at række for langt. Sørg for at have et godt fodfæste og underlag. Det giver bedre kontrol over elværktøjet i uventede situationer.
  - f) Brug egnet arbejdstøj. Undgå løse beklædningsgenstande eller smykker. Hold hår og tøj væk fra dele, der bevæger sig. Hold hår, tøj og handsker på afstand af de bevægelige dele. Løstsiddende tøj, smykker eller langt hår kan blive fanget af de bevægelige dele.
  - g) Hvis værktøjet leveres med støvpose og adapter til støvudsugning, skal du kontrollere, at delene er tilsluttet korrekt. Disse enheder mindsker risikoen for skader på grund af støv.
  - h) Selvom du kender værktøjet godt og er vant til at bruge det, skal du alligevel være opmærksom og overholde sikkerhedsanvisningerne. Et øjeblikks uopmærksomhed kan medføre alvorlige personskader.
- ## 4) BRUG OG VEDLIGEHOLDELSE AF ELVÆRKTØJ
- a) Undlad at presse elværktøjet. Brug det korrekte elværktøj til opgaven. Du opnår en bedre og mere sikker drift, hvis du anvender det korrekte elværktøj ved den anbefalede hastighed.

- b) **Undlad at bruge elværktøjet, hvis afbryderen ikke slår værktøjet til og fra.** *Elværktøj, der ikke kan kontrolleres ved hjælp af afbryderen, er farligt og skal repareres.*
- c) **Træk stikket på værktøjet ud fra strømkilden og/eller batteripakken, inden der foretages justeringer, udskiftning af dele eller opbevaring af værktøjet.** *Disse forholdsregler mindsker risikoen for utilsigtet start af elværktøjet.*
- d) **Opbevar elværktøj utilgængelig for børn, og lad aldrig personer, der ikke er fortrolige med elværktøjet eller disse anvisninger, bruge elværktøjet.** *Elværktøj er farligt, hvis det bruges forkert.*
- e) **Vedligehold elværktøjet. Kontrollér, om de bevægelige dele er korrekt justeret eller går tungt, om dele er gået i stykker og enhver anden tilstand, som kan påvirke elværktøjets funktion.** *Hvis elværktøjet er beskadiget, skal det repareres inden brug. Mange ulykker forårsages af dårligt vedligeholdt elværktøj.*
- f) **Hold værktøjet skarpt og rent.** *Korrekt vedligeholdt elværktøj med skarpe klinger sætter sig ikke fast og er nemmere at kontrollere.*
- g) **Brug elværktøjet, tilbehøret og eventuelle bits i henhold til disse anvisninger og på en passende måde for den pågældende type elværktøj.** *Tag altid højde for arbejdsomgivelserne og den forhåndenværende opgave. Hvis elværktøjet bruges til andre opgaver end den, det er beregnet til, kan det medføre farlige situationer.*
- h) **Hold håndtag og gribeblader tørre, rene og fri for olie og smørefedt.** *Hvis håndtag og gribeblader er glatte, kan værktøjet ikke håndteres og styres sikkert, hvis der sker noget uventet.*
- 5) BRUG OG ANVENDELSE AF BATTERIVÆRKTØJ**
- a) **Oplad kun med den oplader, der er angivet af producenten.** *En oplader, der passer til en type batterienhed kan forårsage risiko for brand, hvis den bruges sammen med en anden batterienhed.*
- b) **Brug kun de el-værktøjer, der er specifikt angivet til batterienhederne.** *Brug af andre batterienheder kan udgøre en risiko for skade og brand.*
- c) **Når batterienheden ikke bruges, skal du holde den væk fra andre metalgenstande som f.eks. papirclips, mønter, nøgler, søm, skruer eller andre mindre metalgenstande, der kan skabe forbindelse mellem en klemme til en anden.** *Kortslutning af batteriklemmer kan forårsage brandsår eller brand.*
- d) **Ved forkert brug kan der sprøjte væske ud af batteriet; undgå kontakt.** *Hvis der sker kontakt ved et uheld, skal du straks skylle med vand. Hvis der kommer væske i øjnene, skal du også søge lægehjælp.* *Væske, der sprøjtes ud fra batteriet, kan medføre irritation eller forbrænding.*
- e) **Brug ikke akkuer eller værktøj, som er beskadiget eller modificeret.** *Beskadigede eller modificerede akkuer kan opføre sig uforudsigeligt og forårsage brand, eksplosion eller fare for personskade.*
- f) **Akkuer eller værktøj må ikke udsættes for ild eller meget høje temperaturer.** *Ild eller temperaturer over 130 °C kan medføre eksplosion.*
- g) **Følg alle instruktioner for opladning.** *Akkuen må ikke oplades ved temperaturer uden for det område, der er angivet i instruktionerne.* *Forkert opladning eller opladning ved temperaturer uden for det angivne område kan medføre skader på akkuen og forøge brandfaren.*
- 6) SERVICE**
- a) **Service på elværktøjet skal udføres af en autoriseret reparatør ved hjælp af originale reservedele.** *Dette sikrer, at elværktøjet er sikkert at bruge.*
- b) **Beskadigede akkuer må aldrig repareres.** *Reparation af akkuer må kun udføres af producenten eller autoriserede reparatører.*

## VIGTIGE YDERLIGERE SIKKERHEDSBEMÆRKNINGER VEDRØRENDE HÆKKEKLIPPEREN

- a) **Hold alle kropsdele væk fra skærebladet.** *Fjern ikke afskåret materiale og hold ikke fast i materiale, der skal skæres, når knivene er i bevægelse.* *Knivene fortsætter med at bevæge sig, efter at kontakten er slukket.* *Et øjeblik uopmærksomhed, mens der arbejdes med hækkeklipperen, kan medføre alvorlig personskade.*
- b) **Bær hækkeklipperen i håndtaget og med stoppet skæreblad og pas på ikke at trykke på nogen afbryder.** *Korrekt håndtering af hækkeklipperen nedsætter risikoen for personskade påført af skærebladene.*
- c) **Ved transport eller opbevaring af hækkeklipperen skal afskærmningen altid monteres.** *Korrekt håndtering af hækkeklipperen vil mindske risikoen for personskade fra knivene.*
- d) **Når fastsiddende materiale skal fjernes eller klipperen skal serviceres, skal du sørge for at alle afbrydere er slukket, og batteriet er fjernet eller afbrudt.** *Uventet aktivering af hækkeklipperen ved rengøring eller servicering kan medføre alvorlig personskade.*
- e) **Hold elværktøjet i de isolerede**

**håndgreb, når du udfører opgaver, hvor værktøjet kan komme i kontakt med skjulte elledninger eller sin egen ledning.** Hvis værktøjet rammer en strømførende ledning, bliver dets elektriske dele også strømførende, hvilket kan give brugeren elektrisk stød.

- f) **Hold alle netledninger og kabler væk fra klippeområdet.** Netledninger eller kabler kan være skjult i hække eller buske, og kan ved et uheld blive skåret over af knivene.
- g) **Brug ikke hækklipperen i dårligt/fugtigt vejr, især hvis der er risiko for lynnedslag.** Dette mindsker risikoen for at blive ramt af lynet.
- h) **Kontrollér hække og buske for fremmedlegemer, fx. trådhegn og skjult ledningsføring.**
- i) **Hold hækklipperen korrekt, fx. med begge hænder, hvis to håndtag medleveres.**
- j) **Hækklipperen er beregnet på at blive anvendt af brugeren stående på jorden – ikke på stiger eller nogen andre ustabile flader!**
- k) **Før du betjener hækklipperen bør du være sikker på at låseanordningen/er til bevægelige dele (fx. teleskopskaffet og drejehovedet, hvis disse forefindes), er i låst position.**
- l) **Justérbare stopmekanismer skal regelmæssigt ses efter.**

- g) **Aftør batterisættets poler med en tør klud, hvis de bliver snavsede.**
- h) **Batterisæt skal oplades før anvendelsen. Anvend altid den korrekte oplader, og læs producentens anvisninger eller brugervejledning for, hvordan batterierne oplades korrekt.**
- i) **Et batterisæt må ikke efterlades til opladning i længere tid, hvis det ikke anvendes.**
- j) **Efter længere opbevaringsperioder kan det være nødvendigt at oplade eller aflade batterisættet flere gange for at op den optimale ydelse.**
- k) **Genoplad kun med laderen specificeret af Kress. Anvend ingen anden oplader end den, der specifikt er beregnet til brug med udstyret.**
- l) **Brug kun det korrekte batteri til udstyret.**
- m) **Batterisættet skal opbevares utilgængeligt for børn.**
- n) **Opbevar den originale produktliteratur til fremtidig brug.**
- o) **Batterisættet skal fjernes fra udstyret, når det ikke er i brug.**
- p) **Bortskaffes på en miljørigtig måde.**
- q) **Bland ikke batterier af forskellig fremstilling, kapacitet, størrelse eller type i enheden.**
- r) **Hold batteriet væk fra mikrobølgeovne og højt tryk.**

## SIKKERHEDSFORSKRIFTER TIL BATTERISÆT

- a) **Sekundærelementer eller batterisæt må ikke skilles ad, åbnes eller knuses.**
- b) **Et batterisæt må ikke kortsluttes. Batterisæt må ikke opbevares lemfældigt i en kasse eller skuffe, hvor de kan kortslutte hinanden eller kortsluttes af ledende genstande.** Når batterisættet ikke er i brug, skal det holdes væk fra andre metalgenstande, såsom papirclips, mønter, nøgler, søm, skruer eller andre små metalgenstande, der kan skabe en forbindelse fra en pol til en anden, Kortslutning af batteripoler kan medføre forbrændinger eller brand.
- c) **Batterisæt må ikke udsættes for varme eller ild. Må ikke opbevares i direkte sollys.**
- d) **Batterisæt må ikke udsættes for mekaniske stød.**
- e) **I tilfælde af at et batteri lækker, må væsken ikke komme i kontakt med huden eller øjne. Hvis der er sket kontakt, skal det berørte område vaskes med rigelige mængder vand, hvorefter der søges lægehjælp.**
- f) **Opbevar batterisæt på et rent og tørt sted.**

## SYMBOLER

	For at undgå risikoen for persons-kader skal brugeren læse brugervejledningen
	Advarsel
	Bær høreværn
	Bær øjenværn
	Bær støvmaske
	Må ikke udsættes for regn

	Affald af elektriske produkter må ikke bortskaffes sammen med husholdningsaffald. Indlever så vidt muligt produktet til genbrug. Kontakt de lokale myndigheder eller forhandleren, hvis du er i tvivl.
	Må ikke brændes
	Hvis det ikke håndteres korrekt, kan batteriet muligvis komme ind i vandcyklussen, hvilket kan forårsage skade på økosystemet. Bortskaf ikke brugte batterier som sorteret kommunalt affald.
	Li-Ion-batteri Dette produkt er mærket med et "separat indsamling" -symbol til alle batterier og batteripakker. Genanvend derefter eller fjern det for at reducere påvirkningen på miljøet. Batteripakken indeholder skadelige stoffer, der kan være skadelige for miljøet og menneskers sundhed.
	Hold hænderne væk
	Fjern batteriet før du udfører justeringer, service eller vedligeholdelse.
	Bær beskytteshandsker

DK

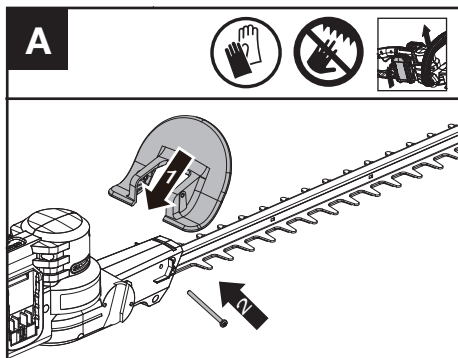
## BETJENINGSVEJLEDNING

**BEMÆRK:** Før du bruger dette værktøj, læs instruktionsbogen omhyggeligt.

**ADVARSEL! Brug ikke dette produkt uden at skærmen og for håndtaget er monteret.**

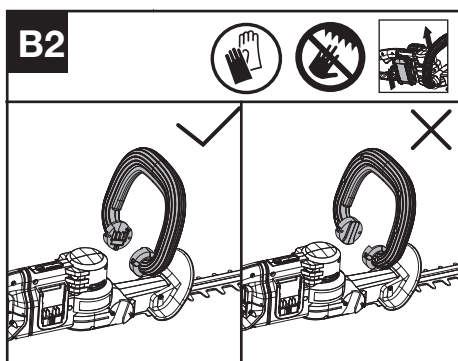
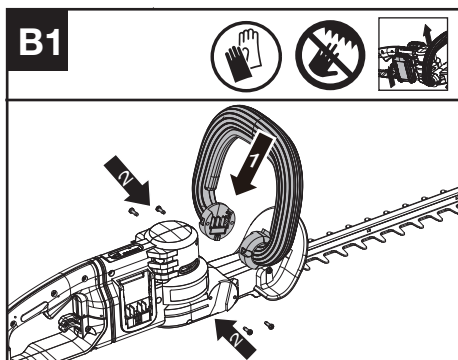
### SAMLING OG BETJENING FØR DU BRUGER DIT LEDNINGSFRIE

Samling af skærm (Se Fig. A)



Samling af forhåndtag (Se Fig. B1, B2)

**BEMÆRK:** Håndtaget er designet til at forhindre, at det bliver monteret i forkert retning. Hvis du føler, det ikke kan installeres, skal du vende det om.

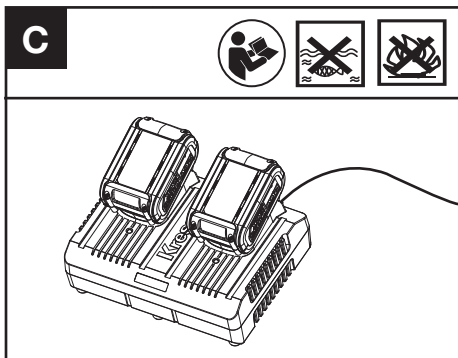


Oplad batteriet (Se Fig. C)

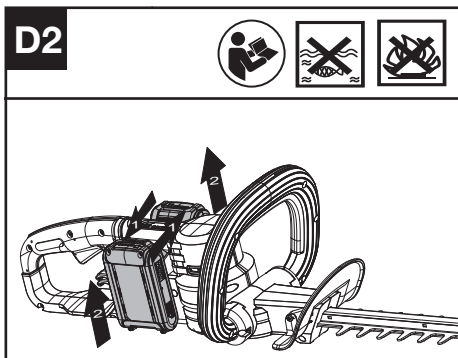
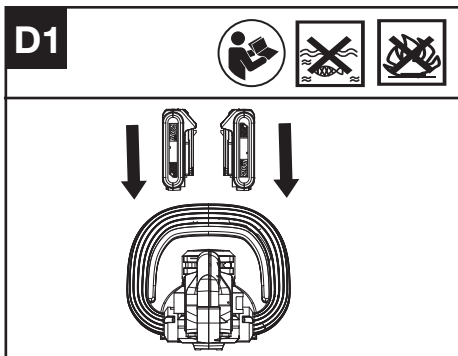
### **BEMÆRK:**

- Batteripakken leveres uopladet. Batteriet skal være helt opladet før første brug.
- Oplad altid begge batterier fuldstændigt og

samtidigt. Flere detaljer kan findes i manualen.



Sådan fjernes eller isættes batterienheden (Se Fig. D1, D2)



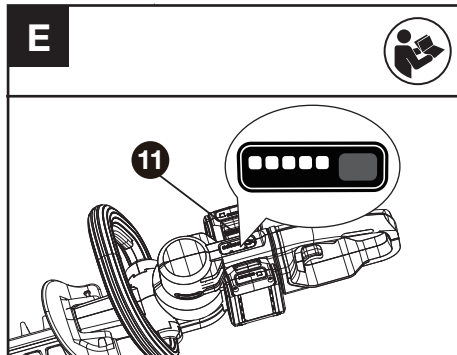
**BEMÆRK:**

- Denne maskine vil kun virke når begge batterier er installeret. Brug altid de samme to batterier og oplad begge batterier samtidigt.
- Når du bruger to batterier med forskellig strøm, går maskinen kun til den laveste fællesnævner.

**BETJENING**

**Batteri-indikatorlampe (Se Fig. E)**

Se detaljer i BATTERI STATUS afsnittet



**VIGTIGT:**

Når kun en lampe lyser er dit batteri afladt for meget, selv om maskinen måske stadig kan arbejde. Forsat brug af din maskine med batteriet i afladt tilstand kan reducere batteriets levetid og ydelse.

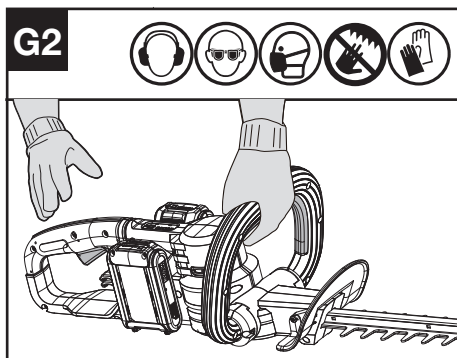
Når ingen af lamperne lyser, er mindst et batteri forkert installeret eller defekt. Kontrollér er tilsat og placeret korrekt.

- Druk vóórdat u start of na gebruik de knop in naast het vermogensindicatielampje op de machine om de accucapaciteit te controleren.
- De accucapaciteit zal automatisch door de accuvermogensindicator worden aangegeven. De indicator controleert en toont de accutoestand als volgt.
- Voor een machine met 2 accupacks met verschillend vermogen toont het vermogensindicatielampje de accutoestand van de accu die het minste vermogen bevat.

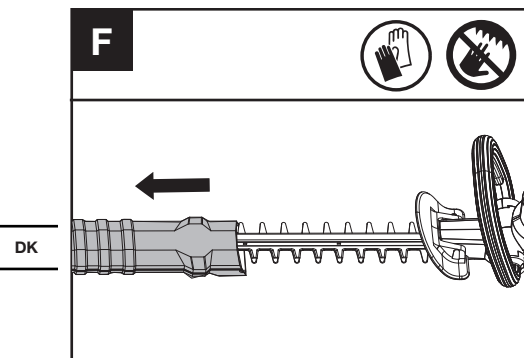
DK

Indicatie voor de status van het accuvermogen	Accustatus
Vijf groene lampjes (  ) branden.	De twee accu's zijn geheel opgeladen.
Twee, drie of vier groen lampjes branden.	De twee accu's hebben restvermogen. Hoe meer lampjes oplichten, hoe meer accuvermogen.
Er brandt maar één groen lampje (  ).	Minstens één accu is leeg en moet worden opgeladen.
Er brandt geen enkel lampje.	Minstens één accu is niet geheel geïnstalleerd of de accu is defekt.

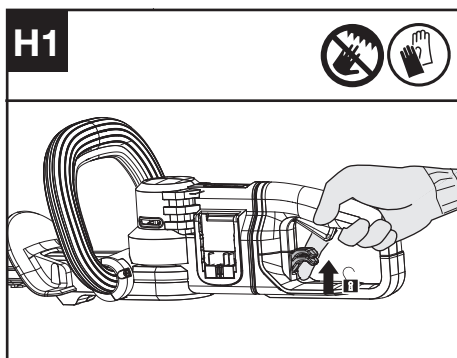
Er brandt maar één lampje tweemaal per cyclus.	Tenminste één accu is te ver ontladen (raadpleeg de oplaadstatus van de accu). Laad de twee accu's tegelijk op voordat u ze opnieuw gebruikt of opslaat.
Er brandt maar één lampje driemaal per cyclus.	Minstens één accu is heet. Wacht totdat hij is afgekoeld, voordat u opnieuw opstart.
Er brandt maar één lampje viermaal per cyclus.	Het apparaat is overbelast. Haal het apparaat uit het snoeigebied en probeer het nog eens.



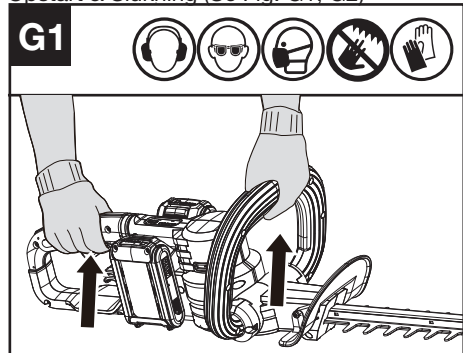
### Fjern bladhylstret (Se Fig. F)



### Roterende baggreb (Se Fig. H1, H2)



### Opstart & Slukning (Se Fig. G1, G2)



### BEMÆRK:

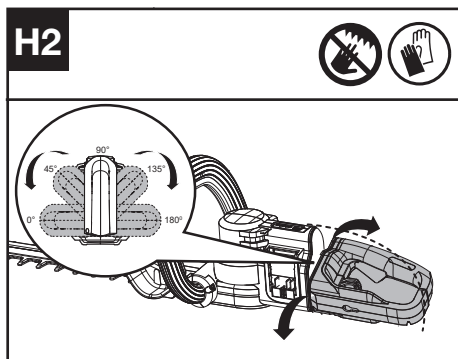
- Slå låseknappen fra før rotering påbegyndes..
- Når du har drejet håndtaget til den ønskede position, skal du justere det lidt, indtil et klik kan høres.



### ADVARSEL:

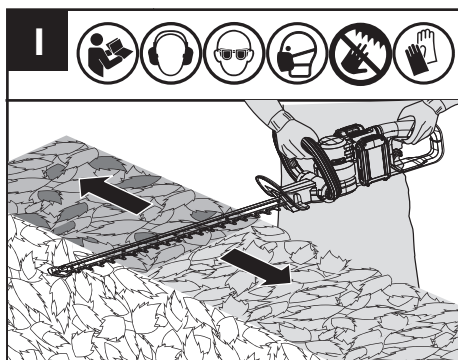
- **Sørg altid for, at håndtaget er låst fast i den ønskede position før brug.**
- **Sørg altid for, at låseknappen er låst, inden du starter hækklipperen.**
- **Drej ikke håndtaget, når klipperen betjenes.**





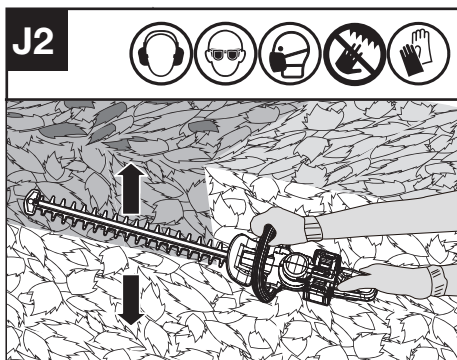
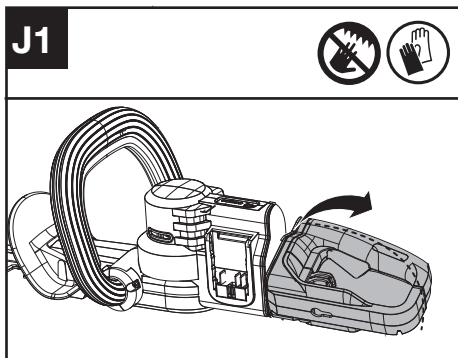
### Topskæring (Se Fig. I)

**⚠ Advarsel:** Hvis der er manglende, beskadigede eller ødelagte dele, må hækklipperen ikke betjenes, før alle beskadigede dele er erstattet eller repareret. Hvis man undlader at gøre dette, kan det føre til alvorlig personlig kvæstelse. BRUG IKKE DETTE PRODUKT UDEN AT SKÆRMEN OG FORHÅNDETAGET ER MONTERET.



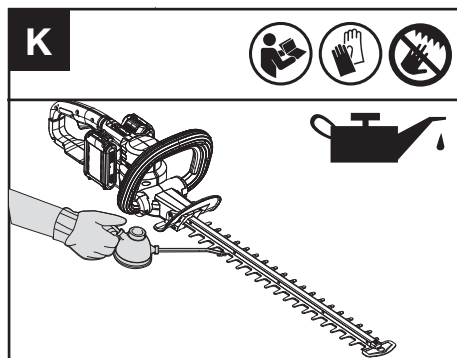
### Sideskæring (Se Fig. J1, J2)

**ADVARSEL:** Stop med at betjene klipperen, før du drejer håndtaget.



### Smøring af skærebladene (Se Fig. K)

**BEMÆRK:** Det er vigtigt kun at anvende den anbefalede smøreolie (WD-40) for at undgå beskadigelse af kniven.



## SÅDAN BRUGES HÆKSAKSEN

Inden du begynder at klippe, skal du inspicere klippeområdet og fjerne alle fremmede ting, som kan slynges væk eller sætte sig fast i bladene. Hold altid hæksaksen med begge hænder og bladene væk fra dig, inden du aktiverer den.

Når du skærer ny vækst, skal du bruge store bevægelser, så stilkene kommer direkte ind i bladene.

Lad skærebladene komme op på fuldt tempo, inden du begynder at skære. Under arbejdet skal du holde skærebladene væk fra mennesker og ting såsom vægge, store sten, træer, køretøjer osv. Under arbejdet skal du holde skærebladene væk fra mennesker og ting såsom vægge, store sten, træer, køretøjer osv.

Hvis bladene sætter sig fast, skal du omgående stoppe hæksaksen.

Slip hastighedsreguleringen og kontakten til registrering af operatørens tilstedeværelse, før du forsøger at fjerne afklippet materiale fra kniven.

Brug handsker, når du klipper tornet og anden stikkende vækst.

Forsøg ikke at skære stilke, der er for tykke for skærebladene

### Topskæring

Brug store og fejende bevægelser. Led nedadvendte skæreblade i bevægelsesretningen giver de bedste skæresultater.

### Sidskæring

Når du klipper hækens sider, skal du gøre det nedefra og op. Denne form viser mere af hækken og giver en mere ensartet vækst.

## VEDLIGEHOLDELSE

### Fjern batteriet før du udfører justeringer, service eller vedligeholdelse.

Der er ingen dele, der kan brugerserviceres i dit el-værktøj. Brug aldrig vand eller kemiske rengøringsmidler til rengøring. Må kun rengøres med en tør klud. Opbevares på et tørt sted. Hold motorens ventilationsåbninger rene. Knapperne o.l. skal være rene og frie for støv.

## INDTIL BATTERIET

DK

Et temperaturområde fra 0 °C til 45 °C kan hæve temperaturen.

Hele systemet testes i temperaturområdet fra 0 °C til 40 °C.

## TEKNISK DATA

### Type **KG285 KG285.X (250-299-udpegning af maskiner, repræsentant for ledningsfri Hækkklipper)**


	<b>KG285 KG285.X**</b>
Spænding	40V  MAX(2x20V MAX.)***
Hastighed uden belastning	3400 /min
Klingelængde	61 cm
Kantskærer	58 cm
Tandafstand	33 mm
Maks. skærediameter	27 mm
Maskinens (Bare værktøjer)	2.7 kg

\*\* X = 1-999, A-Z, M1-M9 er kun til forskellige kunder, der er ingen sikkerhedsrelaterede ændringer mellem disse modeller.

\*\*\* Spændingen er målt uden arbejdsbelastning.

Den indledende batterispænding når maksimalt op på 20 volt. Nominel spænding er 18 volt.

## STØJINFORMATION

A-vægtet lydtrykniveau	$L_{pA}$ : 84.65 dB(A) $K_{pA}$ = 3 dB(A)
A-vægtet lydeffektniveau	$L_{WA}$ : 95.65 dB(A) $K_{WA}$ = 3 dB(A)
Bær høreværn.	

## VIBRATIONSINFORMATION


Den totale værdi for vibration (triax vektor sum) målt ifølge EN 62841:

Værdi for vibration  $a_h$  = 2.39 m/s<sup>2</sup>

Usikkerhed K = 1.5m/s<sup>2</sup>

Den angivne vibrationstotalværdi og den deklarerede støjemissionsværdi er målt i overensstemmelse med en standard testmetode og kan bruges til at sammenligne et værktøj med et andet.

Den angivne vibrationstotalværdi og den angivne støjemissionsværdi kan også anvendes i en foreløbig vurdering af eksponeringen


 **ADVARSEL:** Vibrationer og støjemissioner under selve brugen af elværktøjet kan afvige fra den deklarerede værdi afhængigt af, hvordan værktøjet bruges, især hvad slags emne behandles afhængigt af følgende eksempler og andre variationer af, hvordan værktøjet bliver brugt: Hvordan værktøjet bruges og materialerne skæres eller bores.

Værktøjets stand og vedligeholdelse.

Anvendelse af korrekt tilbehør og kontrol med, at det er skarpt og i en i det hele taget god tilstand. Hvor kraftigt, der holdes fast i håndtaget og, om der benyttes antivibrationsudstyr.

Om værktøjet anvendes i henhold til dets konstruktion og nærværende anvisninger.

**Værktøjet kan medføre et hånd/arm-vibrationssyndrom, hvis det ikke bruges på rigtig måde.**

 **ADVARSEL:** En vurdering af udsættelsesgraden under det aktuelle brug skal omfatte alle dele af arbejdsacyklussen, herunder antallet af gange værktøjet slås til og fra, og tomgangsdriften uden for selve arbejdsopgaven. Dette kan afgørende reducere udsættelsesniveauet i den samlede arbejdsperiode. Hjælper med at minimere risikoen for vibrationer og støjeksposering.

Brug ALTID skarpe mejsler, bor og blade.

Vedligehold værktøjet i overensstemmelse med disse instruktioner og hold det korrekt smurt (hvor det er nødvendigt).

Hvis værktøjet skal bruges regelmæssigt, skal du investere i anti-vibrations- og støj tilbehør. Planlæg dit arbejde, så du kan fordele arbejde med kraftige vibrationer over flere dage.

## MILJØBESKYTTELSE



Affald af elektriske produkter må ikke bortskaffes sammen med husholdningsaffald. Indlever så vidt muligt produktet til genbrug. Kontakt de lokale myndigheder eller forhandleren, hvis du er i tvivl.

## KONFORMITETSERKLÆRING

Vi,  
Positec Germany GmbH  
Postfach 32 02 16, 50796 Cologne, Germany

På vegne af Positec erklæres at produktet  
Beskrivelse **Kress Ledningsfri hækklipper**  
Type **KG285 KG285.X (250-299- udpegnings af maskiner, repræsentant for ledningsfri Hækklipper)**  
Funktioner **Trimmer hække og buske**

Er i overensstemmelse med følgende direktiver:

**2006/42/EC**

**2014/30/EU**

**2011/65/EU & (EU)2015/863**

**2000/14/EC ændret ved 2005/88/EC**

2000/14/EC ændret ved 2005/88/EC

- Konformitetstestprocedure pr. **Anneks V.**
- Målt niveau for lydeffekt **95.65 dB (A)**
- Deklareret garanteret niveau for lydeffekt **96 dB (A)**

Standarder i overensstemmelse med

**EN 62841-1**

**EN 62841-4-2**

**EN ISO 3744**

**EN 55014-1**

**EN 55014-2**

Personen, autoriseret til at udarbejde den tekniske fil,

**Navn Marcel Filz**

**Adresse Positec Germany GmbH**

**Postfach 32 02 16, 50796 Cologne,  
Germany**



2022/12/02

Allen Ding

Vicechef, Ingeniør, Test & Certificering

Positec Technology (China) Co., Ltd

18, Dongwang Road, Suzhou Industrial

Park, Jiangsu 215123, P. R. China

# СОДЕРЖАНИЕ

ВВЕДЕНИЕ.....	84
ПЕРЕЧЕНЬ КОМПОНЕНТОВ.....	85
БЕЗОПАСНОСТЬ ИЗДЕЛИЯ.....	86
ИНСТРУКЦИЯ ПО ЭКСПЛУАТАЦИИ.....	90
ТЕХНИЧЕСКОЕ ОБСЛУЖИВАНИЕ.....	94
ТЕХНИЧЕСКИЕ ДАННЫЕ .....	95
ЗАЩИТА ОКРУЖАЮЩЕЙ СРЕДЫ.....	96
ДЕКЛАРАЦИЯ СООТВЕТСТВИЯ.....	96

## ВВЕДЕНИЕ

Уважаемый покупатель!

RU

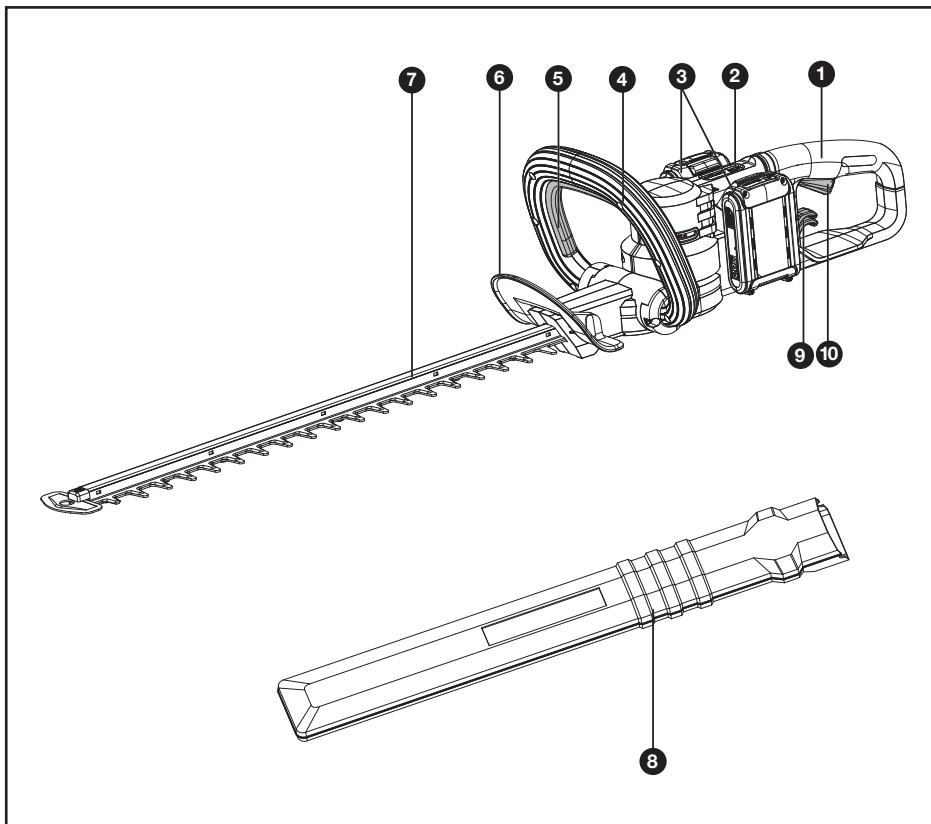
Благодарим вас за приобретение продукции Kress. Мы специализируемся на разработке высококачественной продукции ухода за газонами и садами согласно запросам клиентов.

Торговая марка Kress является синонимом премиального качества. На протяжении всего многолетнего срока службы при возникновении вопросов или проблем, пожалуйста, обращайтесь за помощью по месту приобретения или в нашу службу технической поддержки.

Мы уверены, что в течение следующих лет эксплуатации продукция Kress принесет вам много удовольствия в работе.

## ПРИМЕНЕНИЕ ПО НАЗНАЧЕНИЮ

Оборудование предназначено для стрижки и подрезки живых изгородей и кустарников в бытовых целях.



## ПЕРЕЧЕНЬ КОМПОНЕНТОВ

1.	Вращающаяся задняя рукоятка
2.	Индикатор питания
3.	Батарейный блок*
4.	Передняя рукоятка
5.	ПЕРЕКЛЮЧАТЕЛЬ ПРИСУТСТВИЯ ОПЕРАТОРА (универсальная функция переключателя)
6.	Предохранительное устройство
7.	Лезвие
8.	Кожух для лезвия
9.	Поворотный переключатель с фиксацией
10.	ДРОССЕЛЬНЫЙ РЕГУЛЯТОР
11.	Кнопка разблокировки батарейного блока (смотрите рис. E)

\* Не все комплектующие, показанные или описанные, включены в стандартную поставку

# БЕЗОПАСНОСТЬ ИЗДЕЛИЯ

## Указания по технике безопасности

### Общие правила техники безопасности при работе с электроинструментом



#### ПРЕДОСТЕРЕЖЕНИЕ!

Внимательно ознакомьтесь со всеми инструкциями и предостережениям по технике безопасности. Невыполнение всех нижеприведенных инструкций и рекомендаций может привести к поражению электрическим током, пожару и/или серьезным травмам.

#### СОХРАНИТЕ ВСЕ ИНСТРУКЦИИ И ПРЕДОСТЕРЕЖЕНИЯ ДЛЯ ДАЛЬНЕЙШЕГО ИСПОЛЬЗОВАНИЯ.

Термин “электроинструмент” в предупреждениях относится к вашему электроинструменту с питанием от сети (шнур) или к электроинструменту с батарейным питанием (беспроводной).

#### 1. БЕЗОПАСНОСТЬ РАБОЧЕЙ ЗОНЫ

- a) **Держите рабочую зону чистой и хорошо освещенной.** Загроможденные или затемненные зоны предрасполагают к несчастным случаям.
- b) **Не используйте электроинструменты во взрывоопасных средах, например, в присутствии легковоспламеняющихся жидкостей, газов или пыли.**  
*Электроинструменты создают искры, которые могут воспалить пыль или пары.*
- c) **Держите детей и прохожих в стороне во время работы с электроинструментом.** Отвлекающие факторы могут привести к потере контроля над инструментом.

#### 2. ЭЛЕКТРОБЕЗОПАСНОСТЬ

- a) **Вилки с электроинструментом должны соответствовать розетке. Никогда не изменяйте штепсель каким-либо образом. Запрещается использовать любые переходники с заземленными электроинструментами.**  
*Не модифицированные вилки и соответствующие розетки уменьшают риск поражения электрическим током.*
- b) **Избегайте контакта тела с заземленными поверхностями,**

**такими как трубы, радиаторы, плиты и холодильники.** Существует повышенный риск поражения электрическим током, если ваше тело заземлено.

- c) **Не подвергайте электроинструмент воздействию дождя или влажности.** Вода, попадающая в электроинструмент, повысит риск поражения электрическим током.
  - d) **Запрещается применять шнур не по назначению. Никогда не используйте шнур для переноски, вытягивания или отсоединения электроинструмента. Держите шнур вдали от тепла, масла, острых краев или движущихся частей.**  
*Поврежденные или запутанные шнуры повышают риск поражения электрическим током.*
  - e) **При работе с электроинструментом на открытом воздухе используйте удлинитель, предназначенный для использования на открытом воздухе.** Использование шнура, подходящего для использования на открытом воздухе, снижает риск поражения электрическим током.
  - f) **Если работа электроинструмента во влажном месте неизбежна, используйте устройство защитного отключения.** Использование УЗО снижает риск поражения электрическим током.
- #### 3. ЛИЧНАЯ БЕЗОПАСНОСТЬ
- a) **Будьте внимательны, следите за тем, что вы делаете, и пользуйтесь здравым смыслом при работе с электроинструментом. Не используйте электроинструмент во время усталости или под воздействием наркотиков, алкоголя или медикаментов.** Невнимательность при работе электроинструмента может привести к серьезной травме.
  - b) **Используйте средства индивидуальной защиты. Всегда надевайте защитные очки.** Защитное оборудование, такое как пылезащитная маска, нескользящая защитная обувь, каски или защита слуха, используемые для соответствующих условий, уменьшат риск возникновения травмы.
  - c) **Предотвращение непреднамеренного запуска. Перед подключением к источнику питания и / или батарейному блоку убедитесь, что переключатель находится в положении “выключено”.** Перенос электроинструментов с пальцем на выключателе или зарядка включенных электроинструментов приводит к

несчастным случаям.

- d) **Перед включением электроинструмента уберите любые посторонние гаечные ключи.** Ключ, прикрепленный к вращающейся части электроинструмента, может стать причиной травмы.
- e) **Не наклоняйтесь. Постоянно сохраняйте равновесие.** Это позволяет лучше контролировать электроинструмент в неожиданных ситуациях.
- f) **Одевайтесь должным образом. Не надевайте свободную одежду или украшения. Держите волосы, одежду и Лобзик аккумуляторной RU 15 перчатки вдали от движущихся частей.** Свободная одежда, ювелирные изделия или длинные волосы могут быть зацеплены движущимися частями.
- g) **Если устройства оборудованы соединением для удаления пыли и подключения коллекторов, убедитесь, что такое оборудование подключено и используется должным образом.** Использование пылеулавливателей может уменьшить опасность, связанную с пылью.
- h) **Не позволяйте опыту, полученному при частом использовании инструментов, расслабиться и игнорировать принципы безопасной работы с инструментами.** Неосторожное действие может привести к серьезной травме в течение доли секунды.

#### 4. ИСПОЛЬЗОВАНИЕ ЭЛЕКТРОИНСТРУМЕНТА И УХОД ЗА НИМ

- a) **Запрещается избыточно загружать электроинструмент. Используйте подходящий электроинструмент для вашей работы.** Правильно подобранный электроинструмент делает работу, для которой он был разработан, лучше и безопаснее.
- b) **Не используйте электроинструмент, если выключатель не работает.** Любой электроинструмент, который не может управляться с помощью переключателя, опасен и должен быть отремонтирован.
- c) **Перед выполнением любых регулировок, заменой принадлежностей или хранением электроинструмента отсоедините штекер от источника питания и / или аккумуляторной батареи от электроинструмента.** Такие предупредительные меры безопасности уменьшают риск случайного запуска электроинструмента.
- d) **Храните электроинструменты в**

**недоступном для детей месте и не позволяйте лицам, незнакомым с электроинструментом или с этой инструкцией, работать с ним.** Инструменты опасны в руках необученных пользователей.

- e) **Обслуживайте электроинструменты. Проверьте несомность движущихся частей, поломку деталей и любые другие состояния, которые могут повлиять на работу электроинструмента. В случае повреждения отремонтируйте электроинструмент перед использованием.** Многие несчастные случаи связаны с плохим обслуживанием электроинструментов.
  - f) **Поддерживайте заточку и чистоту режущих инструментов. Правильно обслуживаемые режущие инструменты, с острыми режущими кромками легче контролировать, и снижается вероятность их деформации.**
  - g) **Используйте электроинструмент, принадлежности и т. д. в соответствии с этими инструкциями, с учетом условий выполняемой работы.** Использование электроинструмента для операций, отличающихся от предназначенного использования, может привести к опасной ситуации.
  - h) **Следите, чтобы руки и захватные поверхности были сухими, чистыми и свободными от смазочного масла и консистентной смазки.** Скользкие ладони и захватные поверхности не позволяют безопасно обращаться с инструментом и контролировать его в непредвиденных ситуациях.
- #### 5. ИСПОЛЬЗОВАНИЕ И ОБСЛУЖИВАНИЕ АККУМУЛЯТОРНЫХ ИНСТРУМЕНТОВ
- a) **Для зарядки используйте только зарядное устройство, указанное изготовителем.** Зарядное устройство, которое подходит для одного типа аккумуляторов, может представлять опасность возгорания при использовании с другим типом аккумуляторов.
  - b) **Используйте электроинструменты только со специально предназначенными аккумуляторами.** Использование любого другого типа аккумуляторов может стать причиной травм и пожара.
  - c) **Когда аккумулятор не используется, храните его подальше от других металлических предметов, например, скрепок, монет, ключей, гвоздей, винтов или других небольших металлических**

предметов, которые могут привести к замыканию клемм. Замыкание клемм аккумулятора может стать причиной ожогов или пожара.

- d) **В неблагоприятных условиях из аккумулятора может вытекать жидкость; избегайте контакта с этой жидкостью. Если контакт все же произошел, промойте пострадавшее место водой. Если жидкость попала в глаза, немедленно обратитесь за медицинской помощью. Жидкость, вытекшая из аккумулятора, может вызвать раздражение или ожоги.**
- e) **Не используйте аккумулятор или инструмент в случае их повреждения или изменения. Поврежденные или измененные аккумуляторы могут вести себя непредсказуемо, что может стать причиной пожара, взрыва или опасности получения травмы.**
- f) **Не подвергайте аккумулятор или инструмент воздействию огня или избыточной температуры. Воздействие огня или температуры выше 130°C может стать причиной взрыва.**
- g) **Выполняйте все инструкции по зарядке и не заряжайте аккумулятор или инструмент вне пределов диапазона температур, указанных в инструкциях. Неправильная зарядка или зарядка при температурах, которые выходят за пределы указанного диапазона, может повредить аккумулятор и увеличить опасность пожара.**

## 6. ОБСЛУЖИВАНИЕ

- a) **Обслуживайте свой инструмент только с помощью квалифицированного специалиста по ремонту, используя только идентичные запасные части. Это обеспечит поддержание безопасности электроинструмента.**
- b) **Никогда не обслуживайте поврежденные аккумуляторы. Обслуживание аккумуляторов должно выполняться только изготовителем или авторизованными сервисными провайдерами.**

# ПРАВИЛА ТЕХНИКИ БЕЗОПАСНОСТИ ПРИ РАБОТЕ С МАШИНОКой ДЛЯ ПОДРЕЗАНИЯ ЖИВОЙ ИЗГОРОДИ

a)

**Держитесь на безопасном расстоянии от режущего ножа. Не удаляйте срезанный материал и не держите материал для срезки во время движения ножей. При очистке застрявшего материала убедитесь, что питание отключено. Невнимательность при работе со шпалерными ножницами может привести к серьезным травмам.**

- b) **Переносите кусторез за рукоятку при остановлении лезвия и следите за тем, чтобы не включить какой-либо выключатель питания. Правильный перенос кустореза снизит риск случайного запуска и получения травм от лезвий.**
- c) **При транспортировке или хранении шпалерных ножниц всегда надевайте крышку режущего устройства. Надлежащее обращение со шпалерными ножницами поможет снизить риск получения травм от режущих ножей.**
- d) **При очистке застрявшего материала или ремонте устройства убедитесь, что все выключатели питания выключены, а батарея вынута или отсоединена. При очистке застрявшего материала или ремонте устройства неожиданное срабатывание кустореза может привести к серьезным травмам.**
- e) **Держите инструмент за изолированные поверхности при выполнении операций, когда режущий инструмент может коснуться скрытой проводки. При контакте с проводкой, находящейся под напряжением, металлические детали инструмента тоже находятся под напряжением и могут вызвать поражение оператора электрическим током.**
- f) **Держите все шнуры питания и кабели далеко от места резки. Шнуры и кабели, спрятанные в живых изгородях или кустах, могут быть случайно разрезаны лезвием.**
- g) **Не используйте кусторез в плохих погодных условиях, особенно, когда есть молния. Это снижает риск удара молнией.**
- h) **Проверьте посторонние предметы в живых изгородях и кустах, например, проволочные заборы и скрытая проводка.**
- i) **Держите кусторез правильно, например, обеими руками, если установлены две ручки.**
- j) **Кусторез предназначен для использования оператором на**



земле, а не на лестницах или в месте с неустойчивыми опорами.

- к) Перед использованием кустореза пользователь должен убедиться, что блокирующее(ие) устройство (а) любых движущихся элементов (например, удлинненный вал и поворотный элемент), если таковые имеются, находятся в заблокированном положении.
- l) Регулярно производите ремонт для регулируемого механизма останова.




## ПРАВИЛА ТЕХНИКИ БЕЗОПАСНОСТИ ДЛЯ АККУМУЛЯТОРНОЙ БАТАРЕИ


- а) Не допускается разбирать, вскрывать, измельчать элементы питания и аккумуляторную батарею.
- б) Не допускается накоротко замыкать элементы питания или аккумулятор. Не допускается беспорядочно хранить элементы питания или аккумулятор в коробке или ящике, где они могут замкнуть друг друга или могут быть замкнуты другими металлическими предметами. Если аккумуляторная батарея не используется, держите ее подальше от металлических предметов, таких как зажимы, монеты, гвозди, винты и прочие металлические предметы небольшого размера, которые могут соединить клеммы друг с другом. Короткое замыкание клемм батареи может стать причиной ожогов или пожара.
- в) Не допускается подвергать аккумуляторную батарею воздействию высоких температур или пламени. Избегайте хранения аккумуляторной батареи в местах, подверженных воздействию прямого солнечного света.
- д) Не допускается подвергать аккумуляторную батарею механическим ударам
- е) В случае протечки аккумуляторной батареи, не допускайте контакта электролита с кожей или глазами. В случае такого контакта необходимо промыть пораженный участок обильным количеством воды и обратиться за медицинской помощью.
- ф) Аккумуляторную батарею необходимо содержать в чистоте и сухости.
- г) В случае загрязнения контактов аккумуляторной батареи их необходимо протереть чистой сухой


тканью.

- h) Аккумуляторную батарею необходимо заряжать перед использованием. Всегда следуйте данной инструкции и используйте правильный порядок зарядки.
- и) Не допускается оставлять аккумулятор на зарядном устройстве, если он не используется.
- j) После продолжительного хранения может потребоваться несколько раз зарядить и разрядить аккумуляторную батарею для достижения максимальной эффективности ее работы.
- к) Используйте только зарядные устройства, указанные Kress. Не допускается использовать какие-либо зарядные устройства, за исключением специально предназначенных для данного оборудования.
- l) Не допускается использовать какие-либо аккумуляторные батареи, не предназначенные для использования с данным оборудованием.
- м) Храните аккумуляторную батарею в местах, недоступных для детей.
- н) Следует сохранить оригинальную документацию на изделие для будущего использования.
- о) По возможности извлекайте аккумуляторную батарею из изделия, если она не используется.
- р) Утилизируйте аккумуляторную батарею должным образом.
- q) Не используйте с устройством элементы разного производства, емкости, размера или типа.
- г) Держите батарею подальше от микроволновых печей и высокого давления.


## УСЛОВНЫЕ ОБОЗНАЧЕНИЯ


	Для сокращения риска травмы пользователь должен прочитать руководство по эксплуатации прибора
	Предупреждение
	Наденьте защитные наушники

	Наденьте защитные очки
	Наденьте респиратор
	Не оставляйте под дождем или водой
	Не поджигать
	Выброшенные в неподобающем месте аккумуляторы могут быть затронуты природным кругообращением воды, что нанесет вред экосистеме. Не выбрасывайте использованные аккумуляторы в баки для несортированных бытовых отходов.
 Li-Ion 	Аккумулятор Li-Ion. Этот продукт маркирован символом, означающий отдельный сбор отходов в отношении всех блоков аккумуляторов и элементов питания. Они будут переработаны или разобраны на части в целях снижения воздействия на окружающую среду. Блоки аккумуляторов могут представлять опасность для окружающей среды и здоровья людей, поскольку они содержат опасные вещества.
	Держите руки подальше от лезвия
	Перед выполнением наладочных работ, обслуживания и ремонта выньте батарею.
	Одевайте защитные перчатки

 Отходы электротехнической продукции не следует утилизировать с бытовыми отходами. Они должны быть доставлены в местный центр утилизации для надлежащей переработки.

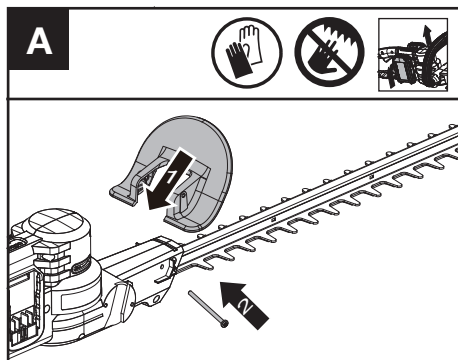
## ИНСТРУКЦИЯ ПО ЭКСПЛУАТАЦИИ

 **ПРИМЕЧАНИЕ:** Перед использованием оборудования, прочитайте инструкции по эксплуатации.

 **ОСТОРОЖНО:** Не используйте оборудование не подсоединив защиту и переднюю ручку.

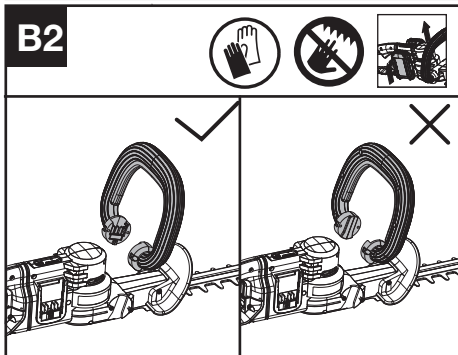
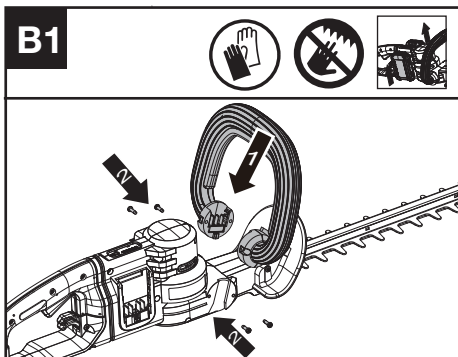
### СБОРКА И РАБОТА ПЕРЕД ИСПОЛЬЗОВАНИЕМ ВАШЕЙ АККУМУЛЯТОРНОЙ МАШИНЫ ДЛЯ ПОДРЕЗКИ ЖИВОЙ ИЗГОРОДИ

Подсоединение защиты (Смотрите рис. А)



Подсоединение передней ручки (Смотрите рис. В1, В2)

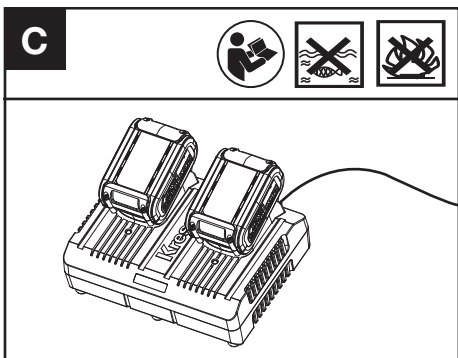
**ПРИМЕЧАНИЕ:** Ручка разработана таким образом, что ее невозможно подсоединить неправильно. Если ручка не устанавливается, пожалуйста, переверните ее.



Зарядка батарейного блока (Смотрите рис. С)

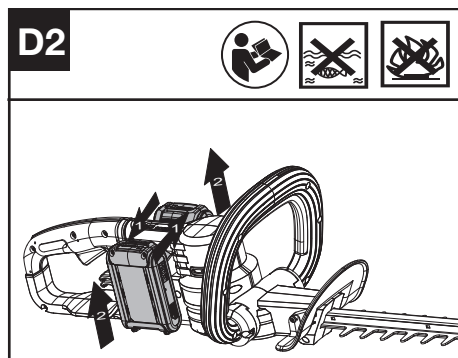
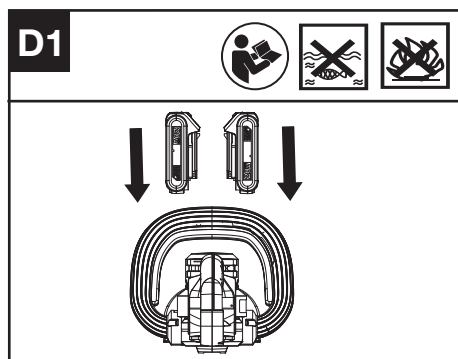
**ПРИМЕЧАНИЕ:**

- Аккумуляторная батарея доставляется не заряженной. Каждая батарея должна быть полностью заряжена перед первым использованием.
- Всегда полностью заряжайте две батареи в одно и то же время. Больше информации можно получить в инструкции к зарядному устройству.



Установка и извлечение батарейного

блока(Смотрите рис. D1, D2)



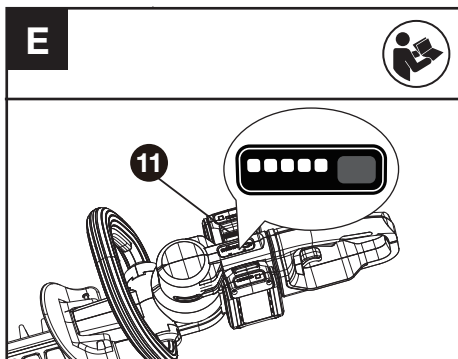
**ПРИМЕЧАНИЕ:**

- Оборудование будет работать только при условии установки двух батарей. Рекомендуется использовать одинаковые две батареи и заряжать две батареи одновременно.
- Когда вы используете две батареи с разной мощностью, оборудование будет работать только до наименьшего общего знаменателя.

**РАБОТА**

Индикатор питания(Смотрите рис. E)

Более подробную информацию см. в разделе «СОСТОЯНИЕ АККУМУЛЯТОРНОЙ БАТАРЕИ»



**ВАЖНО:**

Когда горит только один световой индикатор, батарея практически разряжена, даже если машинка все еще может подстригать живую изгородь. Продолжая работать с батареей в разряженном состоянии, Вы уменьшаете срок службы и производительность батареи.

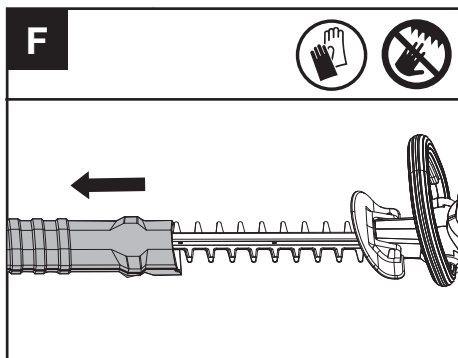
Когда лампочки не горят, минимум одна батарея полностью не установлена или неисправна, пожалуйста, проверьте чтобы батареи были правильно установлены.

- Перед началом работы или после использования, нажмите кнопку рядом с индикатором питания на устройстве, чтобы проверить емкость батареи.
- Во время работы емкость батареи будет автоматически показана индикатором заряда батареи. Индикатор постоянно проверяет и отображает состояние батареи следующим образом.
- Для устройства с 2 батарейными блоками разной мощности, на индикаторе питания отображается состояние батареи с нижним из двух батарейных показателей заряда.

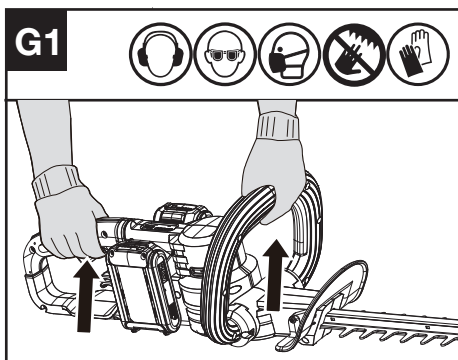
Состояние лампочки-индикатора батареи	Состояние батареи
Горят пять зеленых(  )лампочек.	Две батареи полностью заряжены.
Две, три или четыре зеленых лампочки горят.	У двух батарей еще есть заряд. Чем больше лампочек горит, тем больше заряд батареи.
Только одна зеленая (  ) лампочка горит.	По меньшей мере одна батарея разряжена и должна быть заряжена.
Лампочки не горят.	Минимум одна батарея не установлена полностью или повреждена.

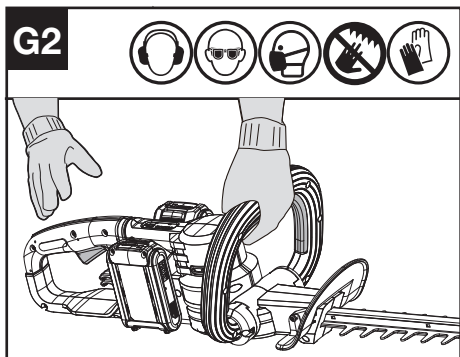
Только одна лампочка мигает два раза в цикл.	Минимум одна батарея чрезмерно разряжена (см. Состояние заряда батареи), пожалуйста, зарядите две батареи сразу перед повторным использованием или хранением..
Только одна лампочка мигает три раза в цикл.	Минимум одна батарея перегрелась, подождите, пока они остынут перед тем как снова начать работу.
Только одна лампочка мигает четыре раза в цикл.	Устройство перегружено. Уберите устройство отобласти, которую необходимообрезать, и попробуйте еще раз.

Снимите кожух лезвия (Смотрите рис. F)

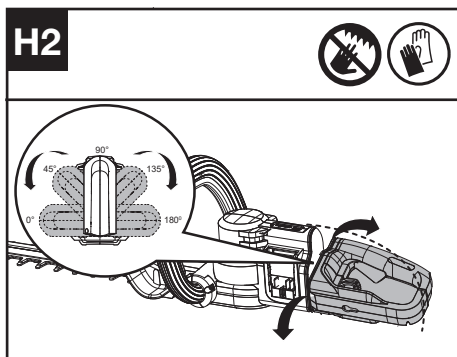


Запуск и Остановка (Смотрите рис. G1, G2)



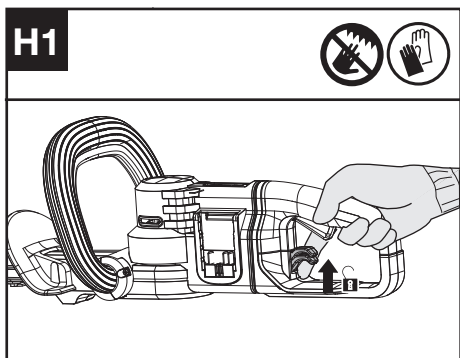


Вращающаяся задняя рукоятка (Смотрите рис. H1, H2)



Верхняя зарубка (Смотрите рис. I)

**!** **ОСТОРОЖНО!** Если какие-либо части отсутствуют, повреждены или сломаны, не используйте машинку для стрижки живой изгороди, пока все поврежденные части не будут заменены или отремонтированы. Невыполнение этого требования может привести к серьезным травмам. **НЕ ИСПОЛЬЗУЙТЕ БЕЗ ПЕРЕДНЕЙ РУЧКИ И ЗАЩИТЫ.**

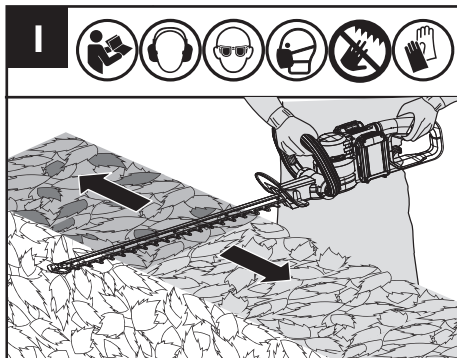


**ПРИМЕЧАНИЕ:**

- Разблокируйте блокировочный переключатель перед вращением.
- Повернув ручку в нужное положение, немного отрегулируйте ее, пока не услышите щелчок.

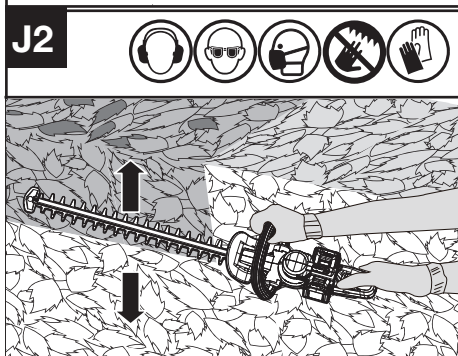
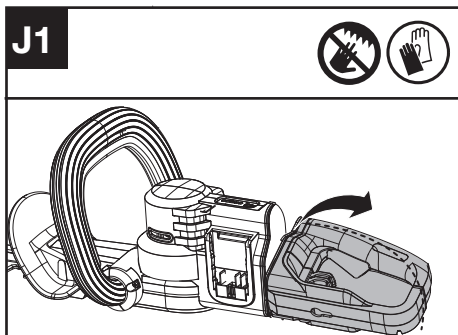
**!** **ОСТОРОЖНО!**

- **Всегда проверяйте, чтобы ручка была заблокирована в нужном положении перед началом работы.**
- **Всегда проверяйте, чтобы блокирующий переключатель был зафиксирован перед запуском машинки для стрижки живой изгороди.**
- **Не поворачивайте ручку когда машинка работает.**



Боковой рез (Смотрите рис. J1, J2)

**ОСТОРОЖНО!** Завершите работу машинки перед тем, как поворачивать ручку.



помешать работе режущих ножей. Перед включением шпалерных ножиц всегда держите их двумя руками ножом от себя.

При срезке новой растительности используйте широкие пролеты, чтобы стебли попадали прямо на нож.

Перед началом срезки материала дождитесь, пока режущие ножи достигнут максимальной скорости. Всегда работайте вдали от людей и твердых предметов, таких как стены, большие камни, деревья, автомобили и т.д.

При застревании лезвия немедленно остановите работу кустореза.

Перед тем как счистить застрявший мусор с режущих лезвий, отпустите дроссельный регулятор и переключатель присутствия оператора.

При срезке колючей или имеющей шипы растительности надевайте перчатки.

Не пытайтесь срезать стебли, длина которых слишком велика.

### **ВЕРХНЯЯ СРЕЗКА**

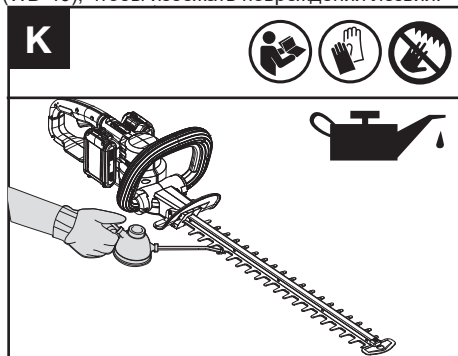
При срезке используйте широкие пролеты). Наилучшие результаты достигаются при небольшом наклоне режущих ножей.

### **БОКОВАЯ СРЕЗКА**

При обрезке боков живой изгороди начинайте снизу и двигайтесь вверх, огибая ножом верхнюю внутреннюю кромку изгороди. Использование такого способа позволяет обрабатывать большую часть изгороди, чем достигается более равномерный рост.

Смазка режущего лезвия (Смотрите рис. К)

**ПРИМЕЧАНИЕ:** Важно использовать только рекомендуемое стандартное смазочное масло (WD-40), чтобы избежать повреждения лезвия.



## **ИСПОЛЬЗОВАНИЕ ШПАЛЕРНЫХ НОЖИЦ**

Перед началом работы осмотрите область, предназначенную для среза, удалите объекты, которые могут быть отброшены или могут

## **ТЕХНИЧЕСКОЕ ОБСЛУЖИВАНИЕ**

### **Перед выполнением наладочных работ, обслуживания и ремонта выньте батарею.**

В инструменте отсутствуют детали, подлежащие обслуживанию пользователем. Никогда не используйте воду или химические чистящие средства для чистки электроинструмента.

Протирайте его сухой тканью. Всегда храните электроинструмент в сухом месте. Содержите в чистоте вентиляционные отверстия двигателя. Очищайте от пыли все рабочие органы управления.

## **ДЛЯ АККУМУЛЯТОРНЫХ ИНСТРУМЕНТОВ**

Диапазон температур окружающей среды для использования и хранения инструмента и аккумулятора составляет 0 °C - 45 °C.

Рекомендуемый диапазон температуры окружающей среды для зарядной системы во время зарядки составляет 0 °C - 40 °C.

# ТЕХНИЧЕСКИЕ ДАННЫЕ

Тип **KG285 KG285.X (250-299 - обозначение машинного оборудования, представитель аккумуляторной машинки для подрезки живой изгороди)**

<b>KG285 KG285.X**</b>	
Напряжение	40V  MAX(2x20V MAX.)***
Скорость холостого хода	3400 /min
Длина лезвия	61 cm
Длина среза	58 cm
Расстояние между зубами	33 mm
Максимальный диаметр резки	27 mm
Напряжение (только инструмент)	2.7 кг

\*\* X=1-999, A-Z, M1-M9 используются только для разных инструментов. Безопасная соответствующая замена между данными моделями невозможна

\*\*\* Напряжение измеряется без нагрузки.


Начальное напряжение аккумулятора достигает максимум 20 вольт. Номинальное напряжение - 18 вольт.

## РЕКОМЕНДУЕМЫЕ АККУМУЛЯТОРЫ И ЗАРЯДНЫЕ УСТРОЙСТВА

Категория	Модель	Объем
Аккумулятор 20 В	KAB02	2.0 Ah
Зарядное устройство 20 В	KAC04	4.0 A

Мы рекомендуем вам приобрести аксессуары в том же магазине, где вам продали инструмент. Пользуйтесь аксессуарами хорошего качества от известного производителя. Выбирайте тип в соответствии с работой, которую вы собираетесь проделать. Более подробная информация приводится на упаковке аксессуаров. Сотрудники магазина могут помочь вам и дать совет.

## ХАРАКТЕРИСТИКИ ШУМА

Звуковое давление	$L_{pA} = 84.65 \text{ dB(A)}$ $K_{pA} = 3 \text{ dB(A)}$
Акустическая мощность	$L_{wA} = 95.65 \text{ dB(A)}$ $K_{wA} = 3 \text{ dB(A)}$
<b>Наденьте защиту слуха.</b>	

## ХАРАКТЕРИСТИКИ ВИБРАЦИИ

Суммарные значения вибрации, определенные согласно EN 62841:


Уровень вибрации	$a_h = 2.39 \text{ m/s}^2$
Погрешность K	$K = 1.5 \text{ m/s}^2$

Заявленное общее значение вибрации и заявленное значение испускаемого шума были измерены в соответствии со стандартной методикой проведения испытаний и могут использоваться для сравнения инструментов между собой.

Заявленное общее значение вибрации и заявленное значение испускаемого шума могут использоваться также для предварительной оценки воздействия.

 **ПРЕДОСТЕРЕЖЕНИЕ:** Значение вибрации при фактическом использовании электроинструмента может отличаться от заявленного значения в зависимости от того, как инструмент используется: Как используется инструмент, и какие материалы подвергаются резке или сверлению. Хорошее состояние инструмента и его хорошее обслуживание. Использование правильного аксессуара для инструмента и обеспечение его остроты и хорошего состояния. Крепость удержания рукояток и использование антивибрационных аксессуаров. Используется ли инструмент в соответствии с его предназначением и этими инструкциями.

**Этот инструмент может вызвать тремор рук при его неправильном использовании.**

 **ПРЕДОСТЕРЕЖЕНИЕ:** Чтобы быть точной, оценка уровня воздействия в реальных условиях использования должна также учитывать все части рабочего цикла, такие как время, когда инструмент выключен и когда он работает на холостом ходу и не выполняет работу. Это может значительно снизить уровень воздействия за весь рабочий период. Помогает минимизировать риск возникновения тремора рук. ВСЕГДА используйте острые резцы, сверла и режущие диски.

Обслуживайте этот инструмент в соответствии с этими инструкциями и хорошо смазывайте (при необходимости).

При регулярном использовании инструмента - приобретите антивибрационные аксессуары. Планируйте ваш рабочий график так, чтобы распределить использование инструмента с наибольшей вибрацией на несколько дней.

Allen Ding  
Заместитель главного инженера, Тестирование и Сертификация  
Positec Technology (China) Co., Ltd  
18, Dongwang Road, Suzhou Industrial Park, Jiangsu 215123, P. R. China  
18, Dongwang Road, Suzhou Industrial Park, Jiangsu 215123, P. R. China

## ЗАЩИТА ОКРУЖАЮЩЕЙ СРЕДЫ



Отходы электротехнической продукции не следует утилизировать с бытовыми отходами. Они должны быть доставлены в местный центр утилизации для надлежащей переработки.

## ДЕКЛАРАЦИЯ СООТВЕТСТВИЯ

Мы,  
Positec Germany GmbH  
Postfach 32 02 16, 50796 Cologne, Germany

От имени Positec заявляем, что продукт  
Марки **Kress Шпалерные ножницы**  
Моделей **KG285 KG285.X(250-  
299-обозначение инструмента,  
беспроводные Шпалерные ножницы)**  
Функции **Ограничивающие насадки и  
щетки.**

Соответствует положениям Директив,  
**2006/42/ЕС,2014/30/EU**  
**2011/65/EU&(EU)2015/863**  
**2000/14/ЕСдополнением2005/88/ЕС**

2000/14/ЕС дополнением 2005/88/ЕС:  
-Процедура оценки соответствия **Приложению V**  
-Измеренный уровень мощности шума **95.65 dB (A)**  
-Заявленный максимальный уровень мощности шума  
**96 dB(A)**

И стандарта,  
**EN 62841-1,EN 62841-4-2,EN ISO 3744**  
**EN 55014-1,EN 55014-2**

Лицо с правом компилирования данного  
технического файла,

**Name Marcel Filz**  
**Address Positec Germany GmbH**  
**Postfach 32 02 16, 50796 Cologne,**  
**Germany**



2022/12/02



# INNEHÅLLSFÖRTECKNING

INTRODUKTION.....	97
LADDARENS KOMPONENTER.....	98
PRODUKTSÄKERHET .....	99
ANVÄNDARHANDLEDNING .....	102
UNDERHÅLL.....	105
TEKNISKA DATA.....	106
MILJÖSKYDD.....	106
DEKLARATION OM ÖVERENSSTÄMMELSE.....	107

## INTRODUKTION

Bästa kund,

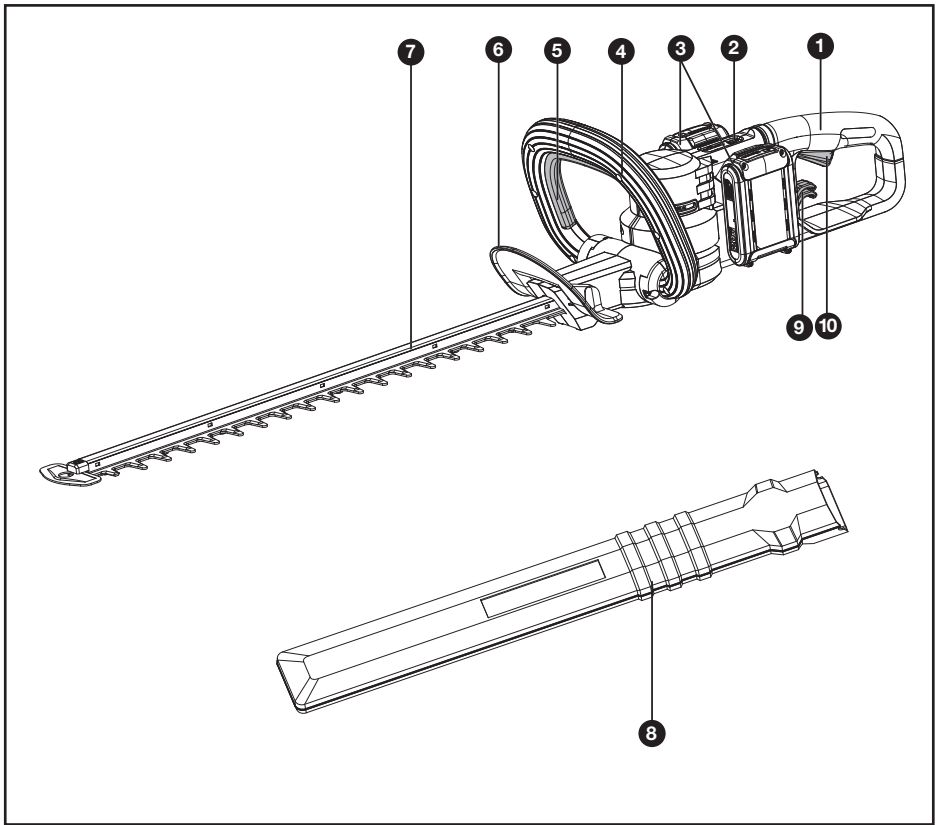
Tack för ditt köp av denna produkt från Kress. Vi är engagerade i vår strävan att utveckla produkter av hög kvalitet för att möta kraven för din gräsmatta och trädgård.

Kress som varumärke är synonymt med förstklassig service. Skulle du ha några frågor eller funderingar om din produkt under dess brukstid, kan du kontakta din återförsäljare eller vårt kundtjänstteam för hjälp.

Vi är övertygade om att du kommer att trivas med att arbeta med din produkt från Kress i många år framöver.

## ÄNDAMÅLSENLIG ANVÄNDNING

Denna maskin är avsedd för hemmabruk, för att klippa och tukta häckar och buskar.



SV

## LADDARENS KOMPONENTER

1.	<b>ROTERTANDE BAKRE HANDTAG</b>
2.	<b>STRÖMINDIKATOR</b>
3.	<b>BATTERIPAKET*</b>
4.	<b>FRÄMRE HANDTAG</b>
5.	<b>SÄKERHETSKONTAKT (OPS) (Totalbrytarfunktion)</b>
6.	<b>SÄKERHETSSKYDD</b>
7.	<b>BLAD</b>
8.	<b>BLADFODRAL</b>
9.	<b>SPÄRR FÖR ROTATION</b>
10.	<b>GASREGLAGE</b>
11.	<b>BATTERIPAKETETS LÅSNING* (Se Fig. E)</b>


\* Avbildat eller beskrivet tillbehör ingår delvis inte i leveransomfånget.

# PRODUKTSÄKERHET

## GENERELLA

### SÄKERHETSVARNINGAR FÖR

#### ELVERKTYG

 **VARNING:** Läs alla säkerhetsföreskrifter, instruktioner, illustrationer och specifikationer som följer med detta elverktyg. Underlåtelse att följa instruktionerna nedan kan leda till elstöt, brand och/eller allvarlig skada.

#### Spara alla varningar och instruktioner för framtida bruk.

Termene "strömförande verktyg" i alla varningsmeddelande nedan avser ditt (sladdverktyg) strömförande verktyg eller batteridrivna (sladdlösa) strömförande verktyg.

#### 1) ARBETSOMRÅDET

- a) Håll arbetsområdet rent och väl upplyst. Skräpiga och mörka områden är skaderisker.
- b) Använd inte strömförande verktyg i explosiva miljöer, som nära brandfarliga vätskor, gaser eller damm. Strömförande verktyg skapar gnistor som kan antända damm eller ångor.
- c) Håll barn och åskådare borta när du använder ett strömförande verktyg. Distractioner kan göra att du förlorar kontrollen.

#### 2) ELSÄKERHET

- a) Stickkontaktarna till verktyget måste matcha eluttaget. Modifiera inte stickkontakten på något sätt. Använd inte adapterkontakter i samband med jordade strömförande verktyg. Omodifierade stickkontakter och matchande eluttag minskar risken för elstötar.
- b) Undvik kroppskontakt med jordade ytor som rör, element, spisar och kylskåp. Det finns en större risk för elstöt om din kropp är jordad.
- c) Exponera inte strömförande verktyg för regn eller fuktiga förhållanden. Kommer det in vatten i ett strömförande verktyg ökar det risken för elstötar. Bära, dra eller dra ut stickkontakten för det.
- d) Missbruka inte sladden. Använd aldrig sladden för att strömförande verktyget. Håll sladden borta från hetta, olja, skarpa kanter eller rörliga delar. Skadade eller tilltrasslade sladdar ökar risken för elstöt.
- e) När du använder ett strömförande verktyg utomhus använder du en förlängningssladd som lämpar sig för utomhus bruk. Använder du en sladd för utomhus bruk reducerar du risken för elstöt.
- f) Om det inte går att undvika att driva ett elverktyg i en fuktig lokal, använd

då en restströmsskyddad (RCD) strömtillförselanordning. Användning av en RCD minskar risken för elektriska stötar.

#### 3) PERSONLIG SÄKERHET

- a) Var uppmärksam, håll ögonen på vad du gör och använd sunt förnuft när du använder ett strömförande verktyg. Använd inte ett strömförande verktyg när du är trött eller påverkad av droger, alkohol eller läkemedel. En kort stund av ouppmärksamhet med strömförande verktyg kan resultera i allvarliga personskador.
  - b) Använd säker utrustning. Använd alltid skyddsglasögon. Säkerhetsutrustning som munskydd, halkfria skor, skyddshjälm eller hörselskydd som används när det behövs kommer att reducera personskador.
  - c) Förhindra ofrivillig start. Se till att kontakten är i off-läge innan du ansluter till strömkälla och/eller batterienhet, tar upp eller bär med dig verktyget. Bär du strömförande verktyg med fingret på kontakten eller sätter i stickkontakten i elluttaget när kontakten är i PÅ-läge utgör det en skaderisk.
  - d) Ta bort alla skiftnycklar eller skruvnycklar innan du sätter på det strömförande verktyget. En skift - eller skruvnyckel som lämnas kvar på en roterande del på ett strömförande verktyg kan orsaka personskador.
  - e) Sträck dig inte för långt. Bibehåll alltid fotfästet och balansen. Detta gör att du kan kontrollera verktyget bättre i oväntade situationer.
  - f) Klä dig rätt. Använd inte löst sittande kläder eller smycken. Håll ditt hår och dina kläder borta från rörliga delar. Lösa kläder, smycket eller långt hår kan snärjas in i rörliga delar.
  - g) Om det på enheterna finns anslutning för dammsug och dammuppsamling ser du till att de är anslutna och används korrekt. Använder du dessa anordningar reducerar det dammrelaterade faror.
  - h) Låt inte förtrogenhet, tack vare frekvent användning av verktyget, lura dig att känna dig för tryggt med det och därmed ignorera säkerhetsföreskrifterna. En vårdslös handling kan orsaka allvarlig skada inom loppet av en sekund.
- #### 4. ANVÄNDNING OCH UNDERHÅLL AV STRÖMFÖRANDE VERKTYG
- a) Forcera inte det strömförande verktyget. Använd korrekt verktyg för arbetet. Det korrekta verktyget kommer att göra jobbet bättre och säkrare med den hastighet den tillverkats för.
  - b) Använd inte verktyget om kontakten inte sätter på eller stänger av det. Alla

strömförande verktyg som inte kan kontrolleras med kontakten är farliga och måste repareras.

- c) **Koppla från stickkontakten från strömkällan och/eller batterienheten från elverktyget innan du utför några justeringar, ändrar I tillbehören eller magasinerar elverktygen.** *Sidana förebyggande säkerhetsåtgärder reducerar risken för att du startar verktyget oavsiktligt.*
- d) **Förvara verktyget som inte används utom räckhåll för barn och lät inte någon person använda verktyget som inte känner till verktyget eller dessa anvisningar.** *Strömförande verktyg är farliga i händerna på utbildade användare.*
- e) **Håll koll på elverktyget och tillbehören. Kontrollera inriktningen eller fästet för rörliga delar, defekta delar och alla andra saker som kan påverka användningen av elverktyget. Om den skadats måste elverktyget repareras före användning.** *Många olyckor orsakas av felaktigt underhållna elverktyg.*
- f) **Håll sågverktyget skarpa och rena.** *Korrekt underhållna skärverktyg med skarpa egg kommer inte att köra fast lika ofta och är enklare att kontrollera.*
- g) **Använd elverktyget, tillbehören och verktygsbitsen etc. i enlighet med dessa anvisningar och på det sätt som avsetts för varje typ av elverktyg. Ha också i åtanke arbetsförhållandena och arbetet som skall utföras. Använder du elverktyg för åtgärder som skiljer sig det avsedda arbetet kan det resultera i riskfyllda.**
- h) **Håll handtag och greppytor torra, rena och fria från olja och fett.** *Håll handtag och greppytor ger inte säker hantering och kontroll över verktyget i oväntade situationer.*

## 5. ANVÄNDNING OCH SKÖTSEL AV SLADDLÖSA VERKTYG

- a) **Ladda bara med den laddare som tillverkaren anger.** En laddare som passar en typ av batteripaket kan medföra en risk för brand när den används till ett annat batteripaket.
- b) **Använd elverktyg bara tillsammans med det särskilt konstruerade batteripaketet.** *Användning av andra batteripaket kan medföra en risk för personskador och brand.*
- c) **När batteripaketet inte används ska det hållas borta från metallföremål som gem, mynt, nycklar, skruvar och andra små metallföremål som kan skapa kontakt mellan batteripaketets poler och kortsluta det.** *En kortslutning kan orsaka brännskador och brand.*
- d) **Under olyckliga omständigheter kan vätska komma ur batteriet. Undvik kontakt. Om den kommer i kontakt med huden, skölj med vatten. Om den kommer i kontakt med ögonen, skölj rikligt med vatten och sök läkarhjälp.**

Wätska som kommer ut ur batteriet kan orsaka irritation eller brännskador.

- e) **Använd inte ett batteripack eller verktyg som skadats eller modifierats.** *Skadade eller modifierade batterier kan uppvisa förväntade beteende som kan leda till brand, explosion eller skada.*
- f) **Utsätt inte batteripack eller verktyg för eld eller höga temperaturer.** *Eld eller temperaturer som överstiger 130 °C kan orsaka explosioner.*
- g) **Följ alla laddningsinstruktioner och ladda inte batteripaket eller verktyget utanför temperaturintervallen som anges i instruktionerna.** *Felaktig laddning eller laddning i temperaturer utanför det angivna temperaturintervallen kan skada batteriet eller öka brandrisken.*

## 6. UNDERHÅLL

- a) **Låt ditt elverktyg underhållas av en kvalificerad reparatör som bara använder äkta reservdelar.** *Det kommer att garantera att elverktygets säkerhet bibehålls.*
- b) **Försök aldrig reparera skadade batteripack.** *Batteripack får endast underhållas av tillverkaren eller behöriga servicetekniker.*

## VIKTIG TILLAGD SÄKERHETSNOTERING FÖR DIN HÄCKTRIMMER

- a) **Håll alla kroppsdelar borta från klippbladet. Ta inte bort klippmaterial eller håll i material som ska klippas medan bladen är i rörelse.** *Bladen fortsätter att röra sig efter att omkopplaren stängts av. Ett ögonblick av ouppmärksamhet när du arbetar med ett motordrivet verktyg kan resultera i allvarliga personskador.*
- b) **Bär häcktrimmern i handtaget och med bladet stoppat. Vid transport eller förvaring av häcktrimmern sätt alltid på skyddet för klippenheten och se till att inga strömbrytare används.** *Korrekt hantering av häcktrimmern minskar risken för eventuellt personskador från klippbladen.*
- c) **Vid transport eller förvaring av häcktrimmern, sätt alltid fast bladsyddet.** *Korrekt hantering av häcktrimmern kommer att minska risken för personskador från bladen.*
- d) **När material som fastnat tas bort eller vid service av enheten se till att alla strömbrytare är avstängda och att batteripaketet är borttaget eller fränkopplat.** *Oväntad aktivering av häcktrimmern när material som fastnat tas bort eller vid service kan resultera i allvarliga personskador.*
- e) **Håll verktyget med isolerade greppytor**

när du utför ett arbete där sigverktyget kan komma i kontakt med dolda sladdar eller sin egen sladd. Kommer man i kontakt med en strömförande sladd kommer det att leda in ström i verktygets metalldelar och ge användaren en elchock.

- f) **Håll strömladdan undan från klippområdet.** Strömsladdar eller kablar kan döljas i häcken eller buskar och kan oavsiktligt klippas av av bladet.
- g) **Använd inte häcktrimmern under dåliga väderförhållanden, särskilt när det finns risk för åska.** Det minskar risken för att träffas av blixtar.
- h) **Kontrollera att det inte finns några främmande föremål i häcken, t.ex. stålträdsstängsel och dolda ledningar.**
- i) **Håll häcktrimmern ordentligt, d.v.s. Med båda händerna om det finns två handtag.**
- j) **Häcktrimmern är avsedd att användas av operatören från marken och inte på stegar eller någon annan instabil upphöjning.**
- k) **Innan häcktrimmern används, se till att låsenheterna på några rörliga element (t.ex. förlängningsskaft och lutningsenheter) om sådan finns är i låst position.**
- l) **Se till att eventuella justerbara stoppmekanismer underhålls med jämna mellanrum.**

## SÄKERHETSFORESKRIFTER FÖR BATTERIET

- a) **Ta inte isär batteriet, öppna inte heller batteriet eller sära på battericeller.**
- b) **Kortslut inte batteriet. Förvara inte batteriet på ett slarvigt sätt i en låda där det kan kortslutas eller skadas av ledande material.** När batteriet inte används, håll det borta från metallobjekt, såsom pappersgem, pengar, nycklar, naglar, skruvar eller andra små metallobjekt som kan leda ström från en terminal till en annan. Om batteriterminalerna kortsluter varandra kan de förorsaka brandrisk.
- c) **Exponera inte batteriet för eld eller värme. Undvik förvaring i direkt solljus.**
- d) **Utsätt inte batteriet för mekanisk chock.**
- e) **Om batteriet läcker, låt inte vätskan komma i kontakt med hud eller ögon. Om så ändå skulle hända, skölj med mycket vatten och sök läkarhjälp.**
- f) **Håll batteriet rent och torrt.**
- g) **Torka av batteriet om det blir smutsigt med en torr, ren trasa.**
- h) **Batteriet måste laddas före användning. Använd den här**

bruksanvisningen för att ladda batteriet korrekt.


- i) **Låt inte batteriet stå på laddning när det inte används.**
- j) **Efter lång tids användning kan det bli nödvändigt att ladda och ladda ur batteriet många gånger för att nå maximal prestanda.**
- k) **Ladda endast med laddare av varumärket Kress. Använd ingen annan laddare än den som specifikt ska användas med det här batteriet.**
- l) **Använd inte ett batteri som inte är avsett för användning med det här verktyget.**
- m) **Håll batteriet borta från barn.**
- n) **Behåll den ursprungliga bruksanvisningen för framtida användning.**
- o) **Plocka ur batteriet från verktyget då det inte används.**
- p) **Kassera batteriet på rätt sätt.**
- q) **Blanda inte celler från olika tillverkning, kapacitet, storlek eller typ inom en enhet.**
- r) **Håll batteriet borta från mikrovågor och högt tryck.**

## SYMBOLER

	För att minska risken för skador måste användaren läsa bruksanvisningen
	Varning
	Använd hörselskydd
	Använd skyddsglasögon
	Använd skyddsmask
	Utsätt inte för regn
	är ej uppeldas

	Batterierna kan komma in i vattnets kretslopp om de inte kasseras korrekt och detta kan vara skadligt för EKO-systemet. Kasta inte batterier i de vanliga osorterade hushållssoporna.
 Li-Ion 	Li-Ion-batteri Denna product har märkts med en symbol för sopsortering för alla batterisatser. De kommer då att återvinnas och plockas isär för att minska påverkan på miljön. Batterisatser kan vara skadliga för miljön och för människors hälsa då de innehåller farliga substanser.
	Håll händer borta från bladen
	Ta ur batteriet innan du gör justeringar eller utför service eller underhåll.
	Använd skyddshandskar
 	Uttjänta elektriska produkter får inte kasseras som hushållsavfall. Återanvänd där det finns anläggningar för det. Kontakta dina lokala myndigheter eller återförsäljare för återvinningsråd.

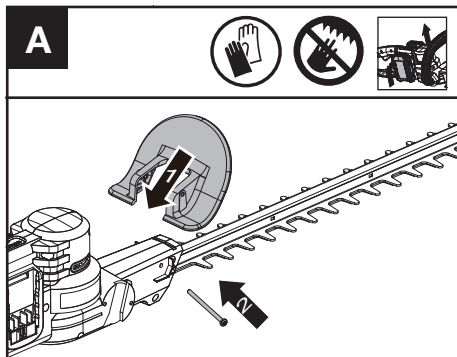
## ANVÄNDARHANDLEDNING

 **OBS:** Innan du använder verktyget, läs noga igenom bruksanvisningen.

 **WARNING: Använd inte produkten utan att ha monterat skyddet och främre handtaget.**

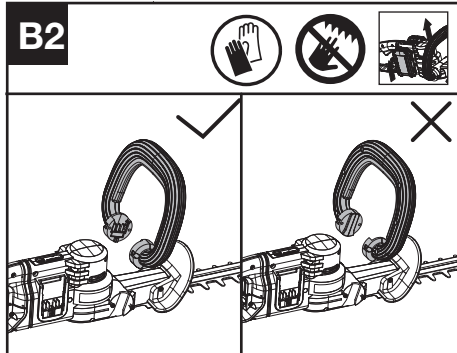
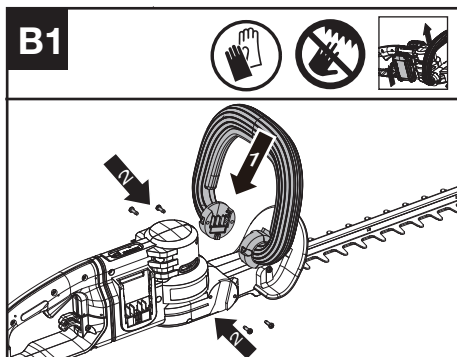
### MONTERING & HANTERING BEFORE USING YOUR CORDLESS HEDGETRIMMER

Montering av skydd (Se Fig. A)



Montering av främre handtaget (Se Fig. B1, B2)

**NOTERA:** Handtaget är designat så att det inte går att monteras på fel håll. Om det inte går att montera, vänd på handtaget.

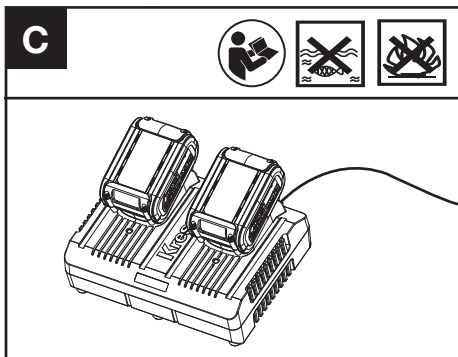


Laddning av batteripaketet (Se Fig. C)

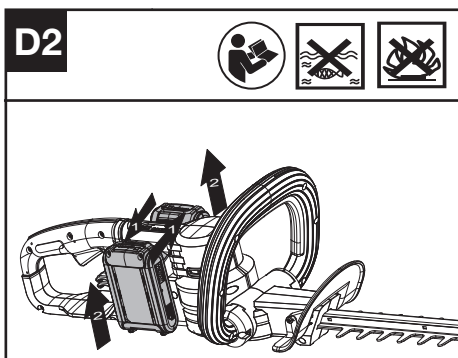
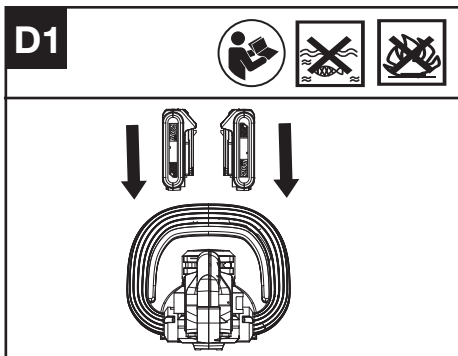
#### NOTERA:

- Ditt batteripaket är OLADDAT och du måste ladda det en gång innan användning.
- Ladda alltid helt de två batterierna samtidigt. Mer information finns i bruksanvisningen till

laddaren.



Ta bort eller sätta i batteripaketet (Se Fig. D1, D2)



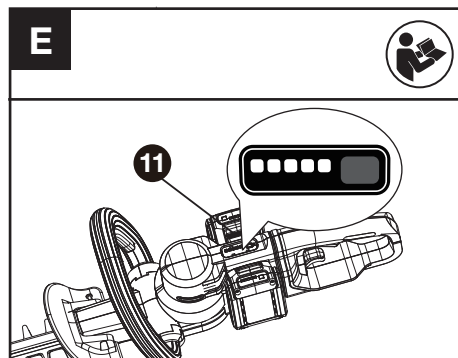
**NOTERA:**

- **Det här verktyget kräver 2 batterier. Var god använd alltid samma två batterier och ladda de två batterierna samtidigt.**
- **När du använder två batterier med olika strömstyrkor, kommer maskinen bara att köpa tills den lägre gemensamma nämnaren nås.**

**DRIFT**

**Strömindikator (Se Fig. E)**

**Se avsnittet BATTERISTATUS**



**VIKTIGT**

När endast en grön lampan lyser är ditt batteri alltför urladdat även om klipparen fortfarande klarar av att klipp gräs. Om du fortsätter att använda din gräsklippare med batteriet i denna urladdade kondition kan det reducera batteriets livslängd om dess prestanda.

Om ingen lampan är tänd är minst ett batteri fel isatt eller defekt. var god dubbelkolla att batterierna är helt fastsatta på plats.

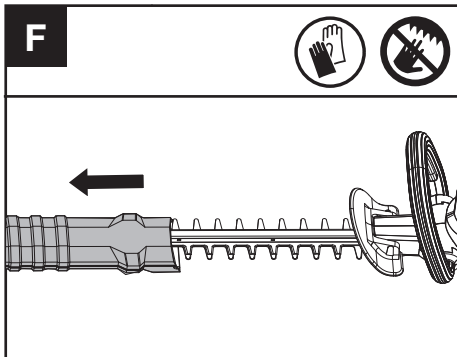
- Innan användning eller efter användning trycker du på knappen bredvid strömindikatorlampan på maskinen för att kontrollera batterikapaciteten.
- Under drift kommer batterikapaciteten automatiskt att indikeras av batteriindikator. Indikatorn känner av och visar batterinivån enligt följande.
- För maskiner med 2 batterier som har olika strömstyrkor, visar strömindikatorlampan batteriets tillstånd för den nedre av de två batterierna.

Batteristatus	Batteritillstånd
Fem gröna lampor (  ) lyser.	Hög batterinivå.
Två, tre eller fyra gröna lampor lyser.	Medelhög batterinivå. Ju fler lampor som lyser, desto högre är batterinivån.
Endast en grön lampan (  ) lyser.	Minst ett batteri är urladdat och måste laddas.
Inga lampor lyser.	Minst ett batteri är fel isatt eller defekt.
Endast en lampan blinkar två gånger per cykel.	Minst ett batteri är urladdat (se batteriladdningstillstånd), ladda de två batterierna minst en gång innan maskinen används igen eller förvaras.

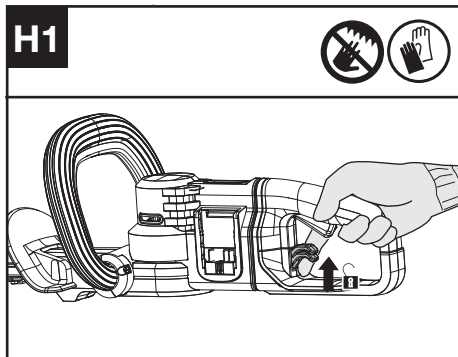
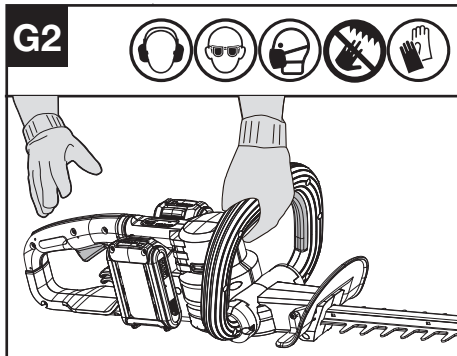
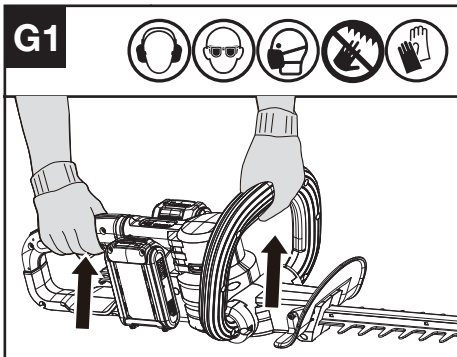
SV

Endast en lampa blinkar tre gånger per cykel.	Minst ett batteri är hett. Låt dem svalna innan du startar maskinen igen.
Endast en lampa blinkar fyra gånger per cykel.	Maskinen är överbelastad. Avlägsna verktyget från arbetsområdet och försök igen.

Ta bort bladskyddet (Se Fig. F)



Start & Stopp (See Fig. G1, G2)

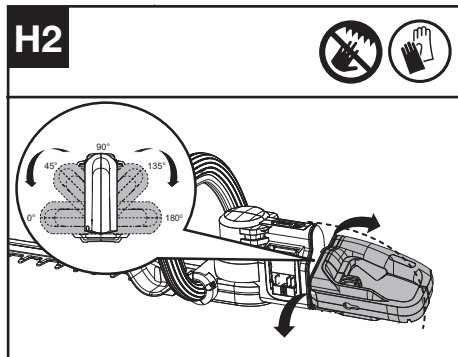


**NOTERA:**

- Öppna spärren före rotering.
- När handtaget roterats till önskad position, gör en lätt justering tills ett klick hörs.

**! VARNING:**

- **Säkerställ att handtaget är låst i önskad position före användning.**
- **Säkerställ att spärren är låst före användning av häcktrimmern.**
- **Rotera inte handtaget medan trimmern är i bruk.**

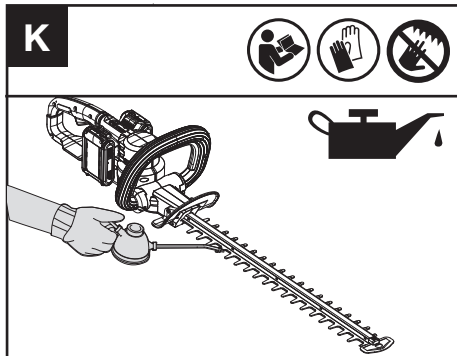
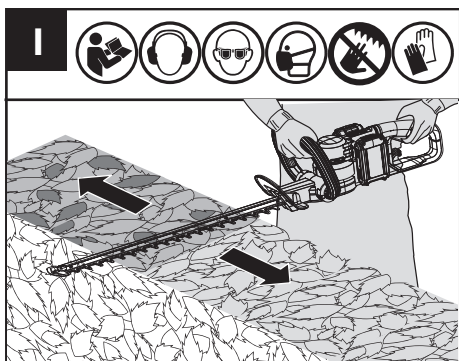


Toppklippning (Se Fig. I)

**! VARNING:** Om några delar saknas, är skadade eller trasiga, använd inte häcksaxen innan alla skadade delar har bytts ut eller reparerats. Underlåtenhet att göra detta kan leda till allvarliga personskador. ANVÄND INTE PRODUKTEN UTAN ATT HA MONTERAT SKYDDET OCH FRÄMRE HANDTAGET.

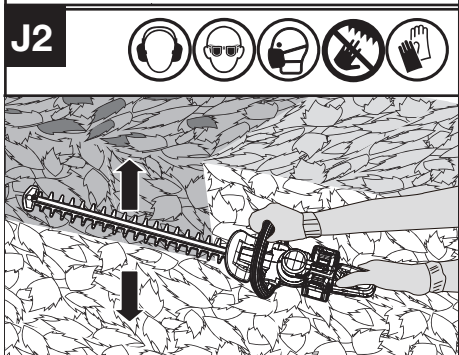
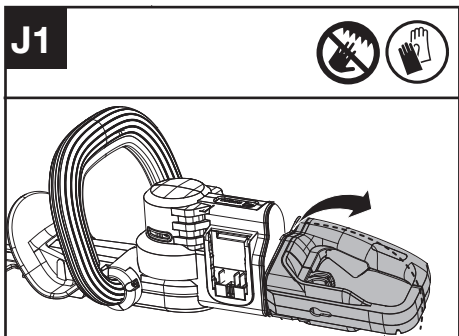
Roterande bakre handtag (Se Fig. H1, H2)





## Sidoklippning (Se Fig. J1, J2)

**VARNING:** Trimmern måste stängas av innan handtaget kan roteras.



## SMÖRJNING AV KLIPPBLADEN (Se Fig. K)

**NOTERA:** Det är viktigt att endast använda den rekommenderade standardsmörjoljan (WD-40) för att undvika att klingan skadas.

## HUR HÄCKTRIMMERN ANVÄNDS

Innan du klipper ett område bör du först inspektera det och ta bort alla främmande föremål som kan kastas iväg eller trassla in sig i bladen. Håll alltid trimmern med båda händerna och med bladen riktade bort från dig innan du startar den.

Vid trimning av nyttilväxt bör en bred svepande rörelse användas så att stammarna matas direkt in till bladen.

Låt klippbladen nå full hastighet innan du klipper. Under arbetet, håll klippbladen borta från människor och föremål såsom väggar, stora stenar, träd, fordon etc.

Om bladen fastnar, stoppa trimmern omedelbart. Släpp gasreglaget och säkerhetskontakten innan du försöker plocka bort skräp som fastnat i klingorna.

Använd handskar när du trimmar taggiga eller stickande växter.

Försök inte att klippa stammar som är för tjocka för klippbladen.

### Toppplippning

Använd en bred svepande rörelse. En lätt nedåtriktad lutning av klippbladen i rörelsen riktning ger det bästa klippresultatet.

### Sidoklippning

Vid trimning av sidorna på en häck börjar du nederst och klipper uppåt och spetsar till överkanten på häcken inåt. Denna form exponerar mer av häcken vilket resulterar i en mer likformig tillväxt.

## UNDERHÅLL

### Ta ur batteriet innan du gör justeringar eller utför service eller underhåll.

Det finns inga delar som kan repareras av användaren i verktyget. Använd aldrig vatten eller kemiska medel för att rengöra verktyget. Torka rent med en torr trasa. Förvara alltid verktyget på en torr plats. Håll motorns ventileringsöppningar rena. Håll alla arbetskontroller fria från damm.


# FÖR BATTERIVERKTYG

Verktyget och batteriet bör användas och förvaras i 0 °C–45 °C.

Den rekommenderade omgivningstemperaturen för laddningssystem vid laddning är 0 °C–40 °C.

## TEKNISKA DATA

**Typ KG285 KG285.X (250-299-maskinbeteckning, anger Sladdlös häcksax)**

	<b>KG285 KG285.X**</b>
Spänning	40V  MAX(2x20V MAX.)***
Hastighet utan belastning	3400 /min
Bladlängd	61 cm
Klipplängd	58 cm
Tandavstånd	33 mm
Max skärdiameter	27 mm
Maskinens vikt( Naken verktyg)	2.7 kg

SV

\*\* X = 1-999, A-Z, M1-M9 är endast för olika kunder, det finns inga säkerhetsrelaterade förändringar mellan dessa modeller.


\*\*\* Spänning uppmätt utan belastning. Initial batterispänning är max. 20 V. Nominell spänning är 18 V.

## REKOMMENDERADE BATTERIER OCH LADDARE

Kategori	Typ	Kapacitet
20V Batteripaket	KAB02	2.0 Ah
20V Laddning	KAC04	4.0 A

Vi rekommenderar att du köper dina tillbehör från samma återförsäljare som du köpte produkten från. Läs på tillbehörens förpackning för mera information. Din återförsäljare kan också hjälpa dig och ge dig råd.

## BULLERINFORMATION

Uppmätt ljudtryck	$L_{pA} = 85.83 \text{ dB(A)}$ $K_{pA} = 3 \text{ dB(A)}$
Uppmätt ljudstyrka	$L_{wA} = 96.83 \text{ dB(A)}$ $K_{wA} = 3 \text{ dB(A)}$
<b>Använd hörselskydd.</b>	

## VIBRATIONSINFORMATION


Vibration totala värden fastställda enligt EN62841:

Vibrationsutsändningsvärde  $a_h = 2.39 \text{ m/s}^2$

Osäkerhet  $K = 1.5 \text{ m/s}^2$


Det angivna totala vibrationsvärdet och det angivna bullervärdet har uppmätts i enlighet med en standardtestmetod och kan användas för att jämföra ett verktyg med ett annat.

Det angivna totala vibrationsvärdet och det angivna bullervärdet kan också användas i en preliminär exponeringsbedömning.

 **WARNING:** Vibrationer och buller vid användning av elverktyget kan skilja sig från det angivna värdet beroende på vilket sätt verktyget används på, särskilt vilken typ av arbetsstycke som bearbetas beroende på följande exempel och andra varianter på hur verktyget används: Hur verktyget används och materialet som skärs eller borrar.


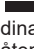
Verktyget är i bra skick och bra underhållet. Användning av korrekt tillbehör för verktyget och säkerställ att de är skarpa och i bra skick. Åtdragningsgraden av greppet på handtagen och om några antivibrations- och bullertillbehör används. Och att verktyget används såsom avsett enligt dess konstruktion och dessa instruktioner.

**Detta verktyg kan orsaka hand-arm vibrationssyndrom om det används på felaktigt sätt.**

 **WARNING:** För att vara korrekt bör en beräkning av exponeringsnivån under verkliga förhållanden vid användning också tas med för alla delar av hanteringscykeln såsom tiden när verktyget är avstängt och när det körs på tomgång utan att utföra något arbete. Detta kan betydligt minska exponeringsnivån över den totala arbetsperioden. Hjälps för att minimera din exponering för vibrationer och buller.

Använd ALLTID skarpa mejslar, borrar och blad. Underhåll verktyget i enlighet med dessa instruktioner och håll det välsmort (där så behövs). Om verktyget ska användas regelbundet investera då i antivibrations- och bullertillbehör. Planera ditt arbetsschema för att sprida ut användning av kraftigt vibrerande verktyg över flera dagar.

## MILJÖSKYDD

 Uttjänade elektriska produkter får inte kasseras som hushållsavfall. Återanvänd  där det finns anläggningar för det. Kontakta dina lokala myndigheter eller återförsäljare för återvinningsråd.

# DEKLARATION OM ÖVERENSSTÄMMELSE

Vi,  
Positec Germany GmbH  
Postfach 32 02 16, 50796 Cologne, Germany

På Positecs vägnar förklara att produkten  
Beskrivning **Kress Sladdlös häcksax**  
Type **KG285 KG285.X (250-  
299- maskinbeteckning, anger Sladdlös  
häcksax)**  
Funktion **Trimma häckar och buskar**

Uppfyller följande direktiv,  
**2006/42/EC**  
**2014/30/EU**  
**2011/65/EU&(EU)2015/863**  
**2000/14/EC ändrad av 2005/88/EC**

**2000/14/EC ändrad av 2005/88/EC:**  
- Konformitetsutvärderingsprocedur enligt **Bilaga**

**V**  
- Uppmätt bullernivå **95.65 dB(A)**  
- Deklarerad garanterad bullernivå **96dB(A)**

Standarder överensstämmer med,

**EN 62841-1**  
**EN 62841-4-2**  
**EN ISO 3744**  
**EN 55014-1**  
**EN 55014-2**

SV

Personen som godkänts att sammanställa den tekniska filen,

Namn **Marcel Filz**  
Adress **Positec Germany GmbH**  
**Postfach 32 02 16, 50796 Cologne,**  
**Germany**



2022/12/02  
Allen Ding  
Vice chefsingenjör, tester och certifiering  
Positec Technology (China) Co., Ltd  
18, Dongwang Road, Suzhou Industrial  
Park, Jiangsu 215123, P. R. China



Copyright © 2023, Positec. All Rights Reserved.  
AR01695000